



US00D798799S

(12) **United States Design Patent** (10) **Patent No.:** **US D798,799 S**  
**Davis et al.** (45) **Date of Patent:** **\*\* Oct. 3, 2017**

(54) **TIRE**  
(71) Applicant: **The Goodyear Tire & Rubber Company, Akron, OH (US)**  
(72) Inventors: **Christopher Byron Davis**, North Canton, OH (US); **Shannon Joseph Hughes**, Rootstown, OH (US); **Karl Eric Sundkvist**, Akron, OH (US); **Jonathan James Shondel**, Massillon, OH (US)

D584,215 S	1/2009	Shavers et al. ....	D12/532
D592,586 S	5/2009	Maxwell et al. ....	D12/531
D593,931 S	6/2009	Fontaine et al. ....	D12/521
D601,079 S	9/2009	Hughes et al. ....	D12/521
D601,485 S	10/2009	Hughes et al. ....	D12/521
D601,940 S	10/2009	Hughes et al. ....	D12/521
D601,941 S	10/2009	Ashton et al. ....	D12/531
D619,955 S *	7/2010	Ashton .....	D12/521
D630,998 S	1/2011	Schmalix et al. ....	D12/519
D634,261 S	3/2011	Schmalix et al. ....	D12/519
D639,720 S	6/2011	Harvey et al. ....	D12/521
D639,721 S *	6/2011	Berryman .....	D12/532
D662,451 S *	6/2012	Schmalix .....	D12/521

(Continued)

(73) Assignee: **The Goodyear Tire & Rubber Company, Akron, OH (US)**

(\*\*) Term: **14 Years**

(21) Appl. No.: **29/510,667**

(22) Filed: **Dec. 2, 2014**

(51) **LOC (10) Cl.** ..... **12-15**

(52) **U.S. Cl.**  
USPC ..... **D12/516**

(58) **Field of Classification Search**  
USPC ..... D12/505-532  
CPC ..... B60C 11/0302; B60C 11/0304; B60C 11/0306; B60C 11/0309; B60C 11/0311; B60C 11/0318; B60C 11/0337; B60C 11/0339; B60C 11/042; B60C 11/00; B60C 11/11; B60C 11/12; B60C 11/13  
See application file for complete search history.

(56) **References Cited**

U.S. PATENT DOCUMENTS

D524,234 S	7/2006	Schmalix et al. ....	D12/521
D551,157 S	9/2007	Shondel .....	D12/524
D557,195 S	12/2007	Fontaine et al. ....	D12/524
D571,283 S	6/2008	Neidert et al. ....	D12/524
D574,316 S *	8/2008	Neidert .....	D12/514
D577,655 S	9/2008	Heinen .....	D12/521
D584,214 S *	1/2009	Mukai .....	D12/519

OTHER PUBLICATIONS

Firestone Firehawk Wide Oval AS as downloaded from www.tirerack.com on May 20, 2015.

*Primary Examiner* — Sandra Snapp

*Assistant Examiner* — Katherine Glennon

(74) *Attorney, Agent, or Firm* — Robert N. Lipsik

(57) **CLAIM**

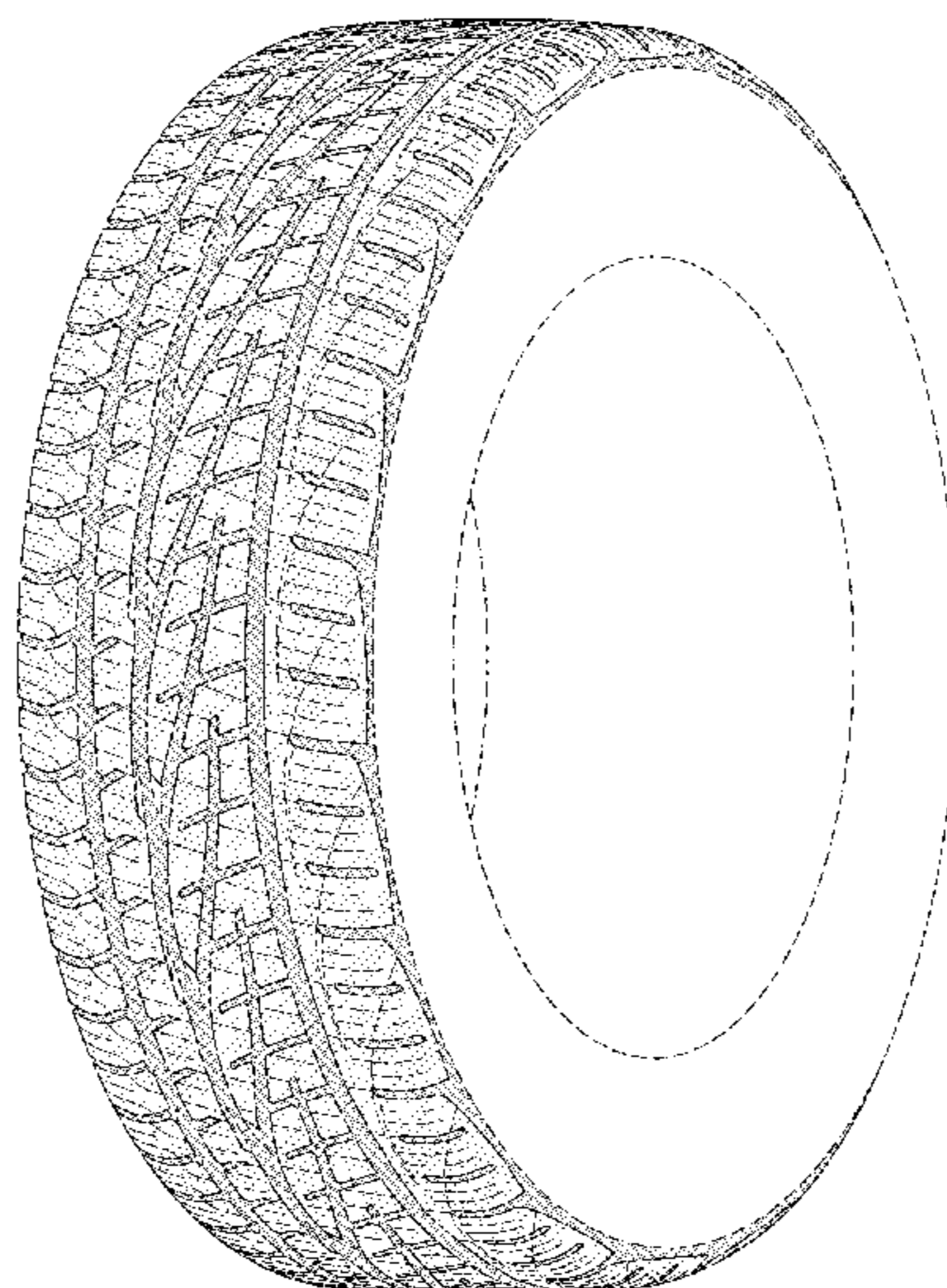
The ornamental design for a tire, as shown and described.

**DESCRIPTION**

FIG. 1 is a perspective view of a tire showing our new design, it being understood that the pattern repeats uniformly throughout the circumference of the tread; FIG. 2 is a front elevational view thereof; FIG. 3 is a right side elevational view thereof; FIG. 4 is a left side elevational view thereof; and, FIG. 5 is an enlarged fragmentary front elevational view thereof.

In the drawings, the broken lines showing of the sidewall, inner bead and the peripheral boundary between the tire tread and the sidewall in FIGS. 1 through 5 depict environmental subject matter and form no part of the claimed design.

**1 Claim, 5 Drawing Sheets**



(56)

**References Cited**

U.S. PATENT DOCUMENTS

D671,884 S	12/2012	Youn .....	D12/521
D694,702 S	12/2013	Leconte et al. ....	D12/521
D699,663 S *	2/2014	Dixon .....	D12/521
D710,293 S	8/2014	Fontaine et al. ....	D12/588
D711,308 S *	8/2014	Lamb .....	D12/532
D715,215 S *	10/2014	Lamb .....	D12/531
D753,051 S *	4/2016	Kato .....	D12/584
D753,052 S *	4/2016	Kato .....	D12/584
D753,054 S *	4/2016	Fujita .....	D12/585

\* cited by examiner



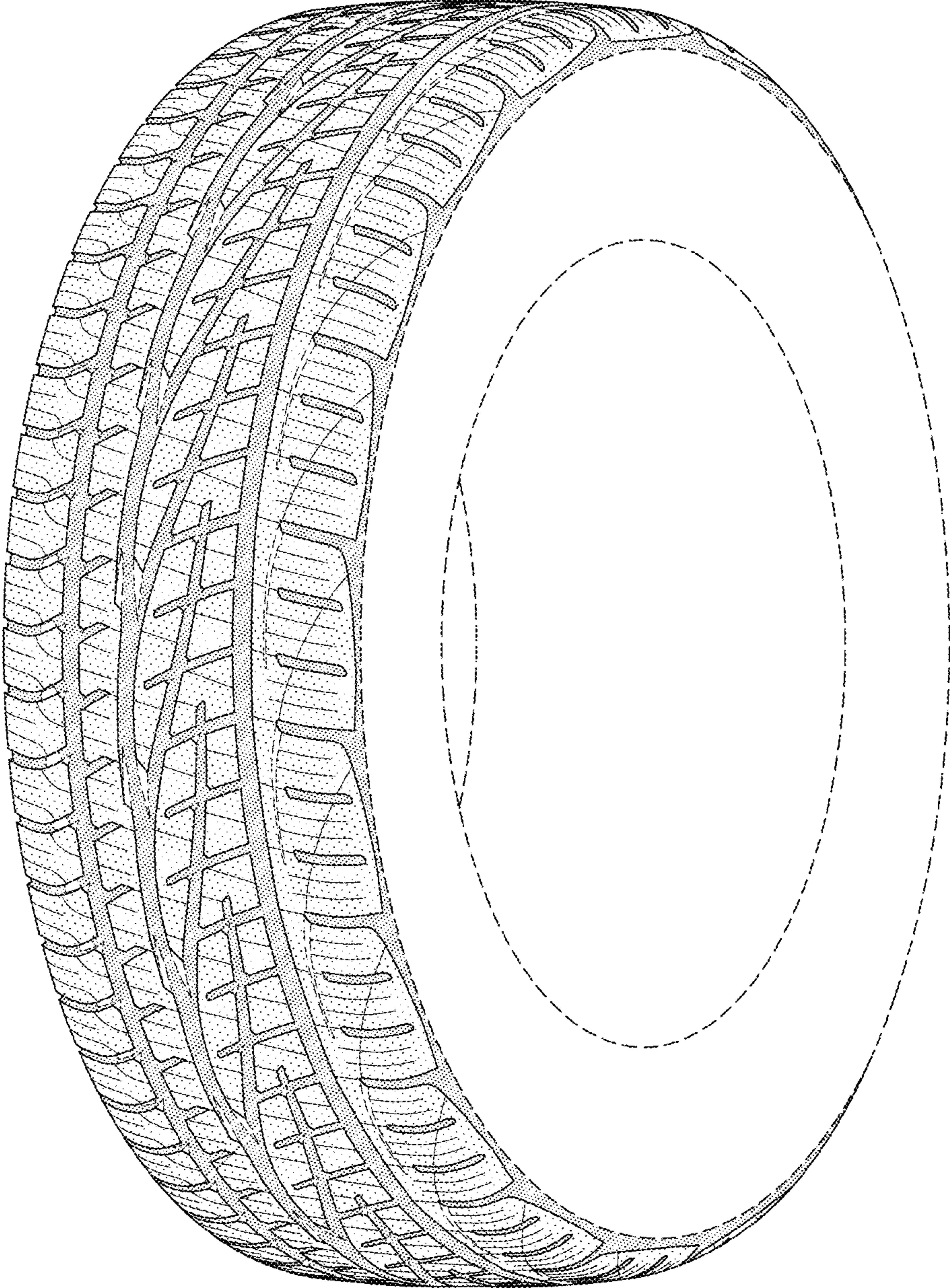


FIG-1



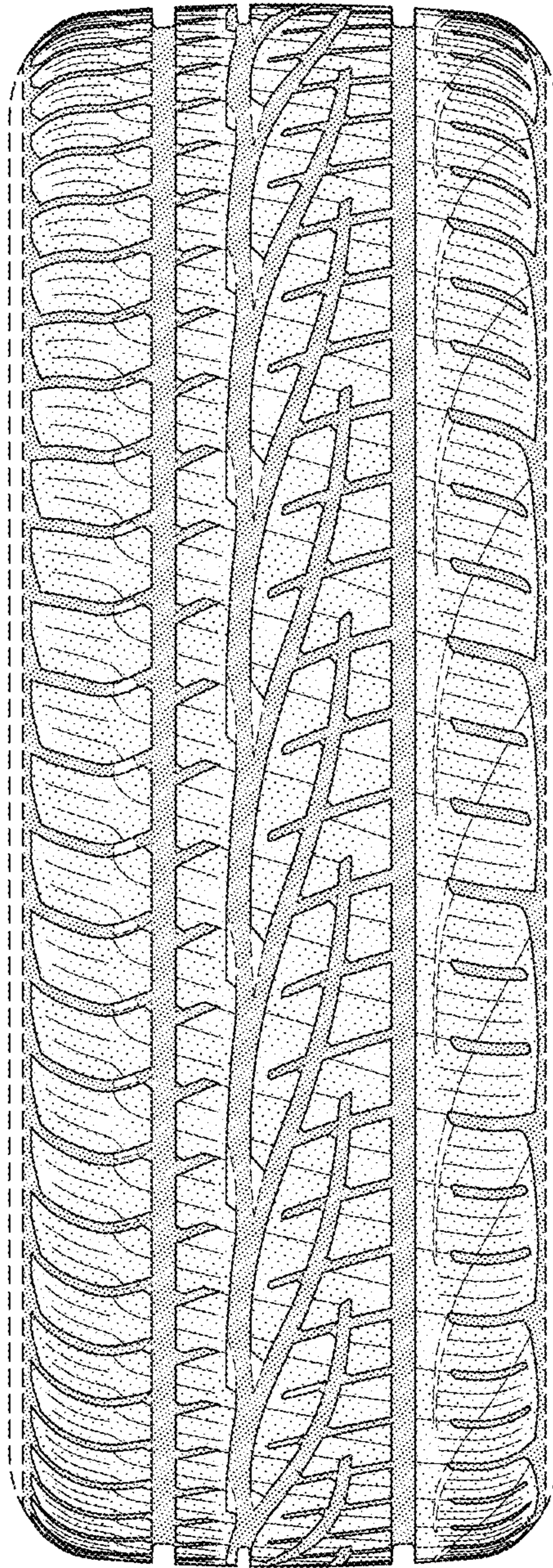


FIG-2

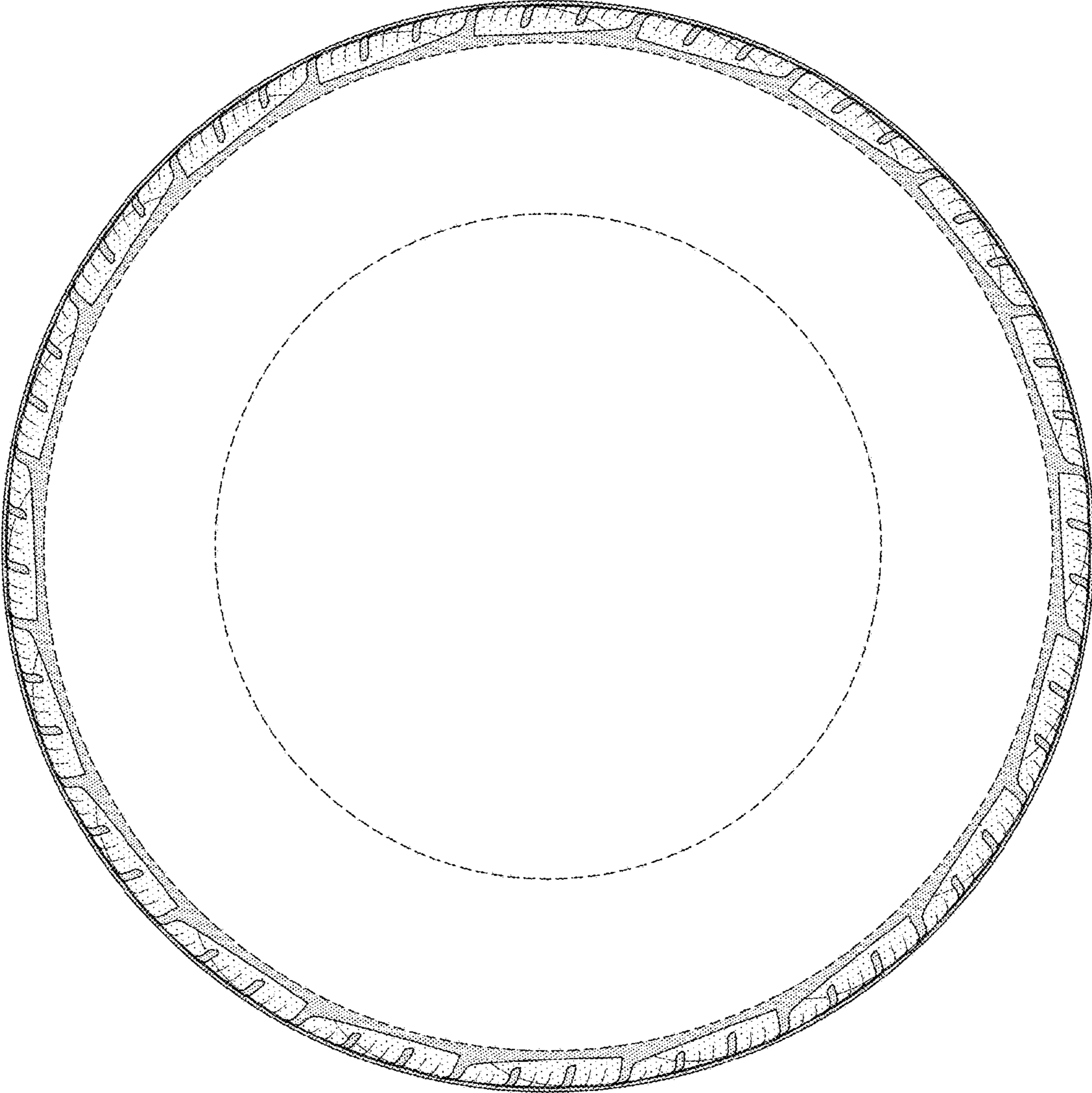


FIG-3



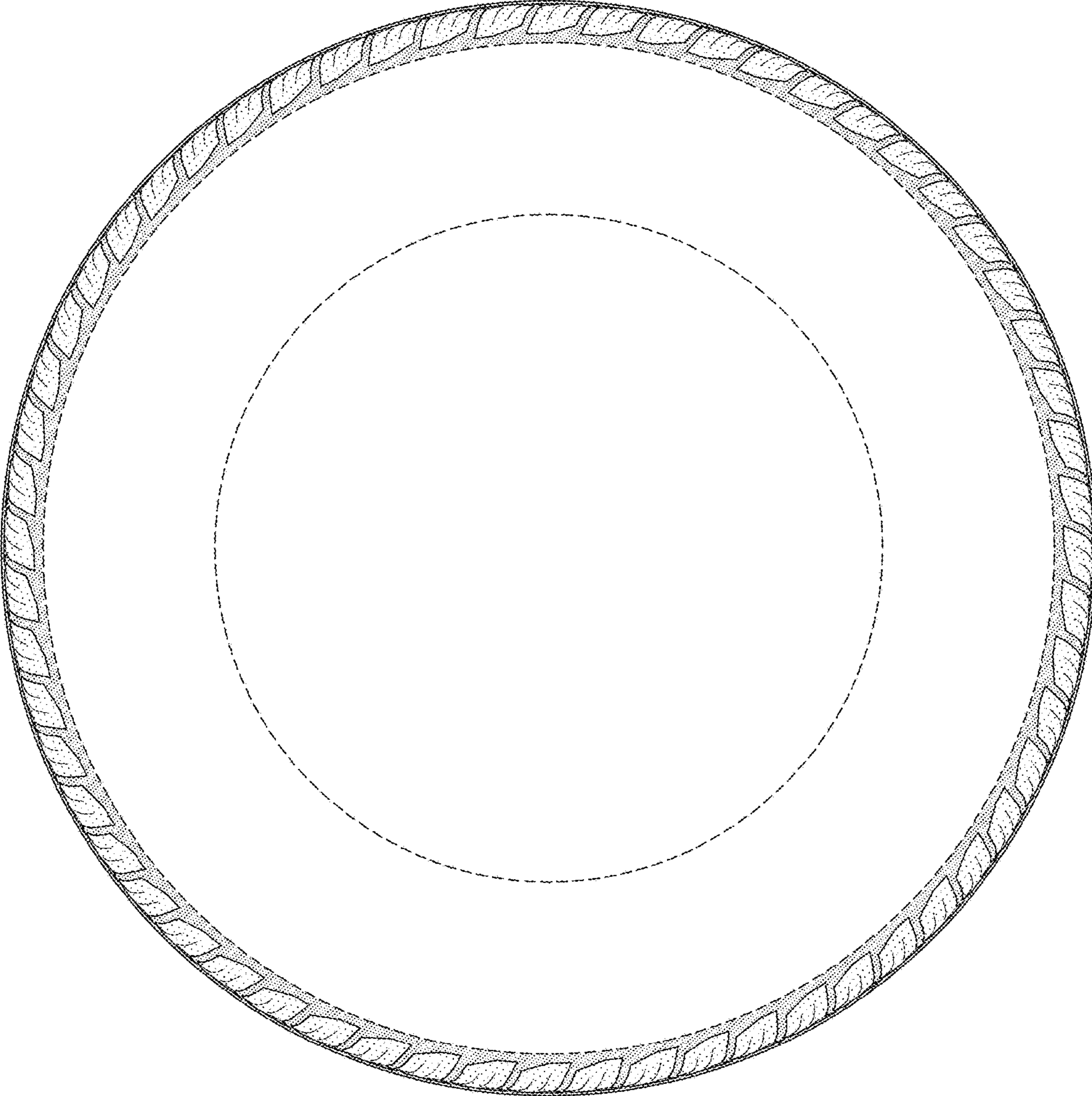


FIG-4

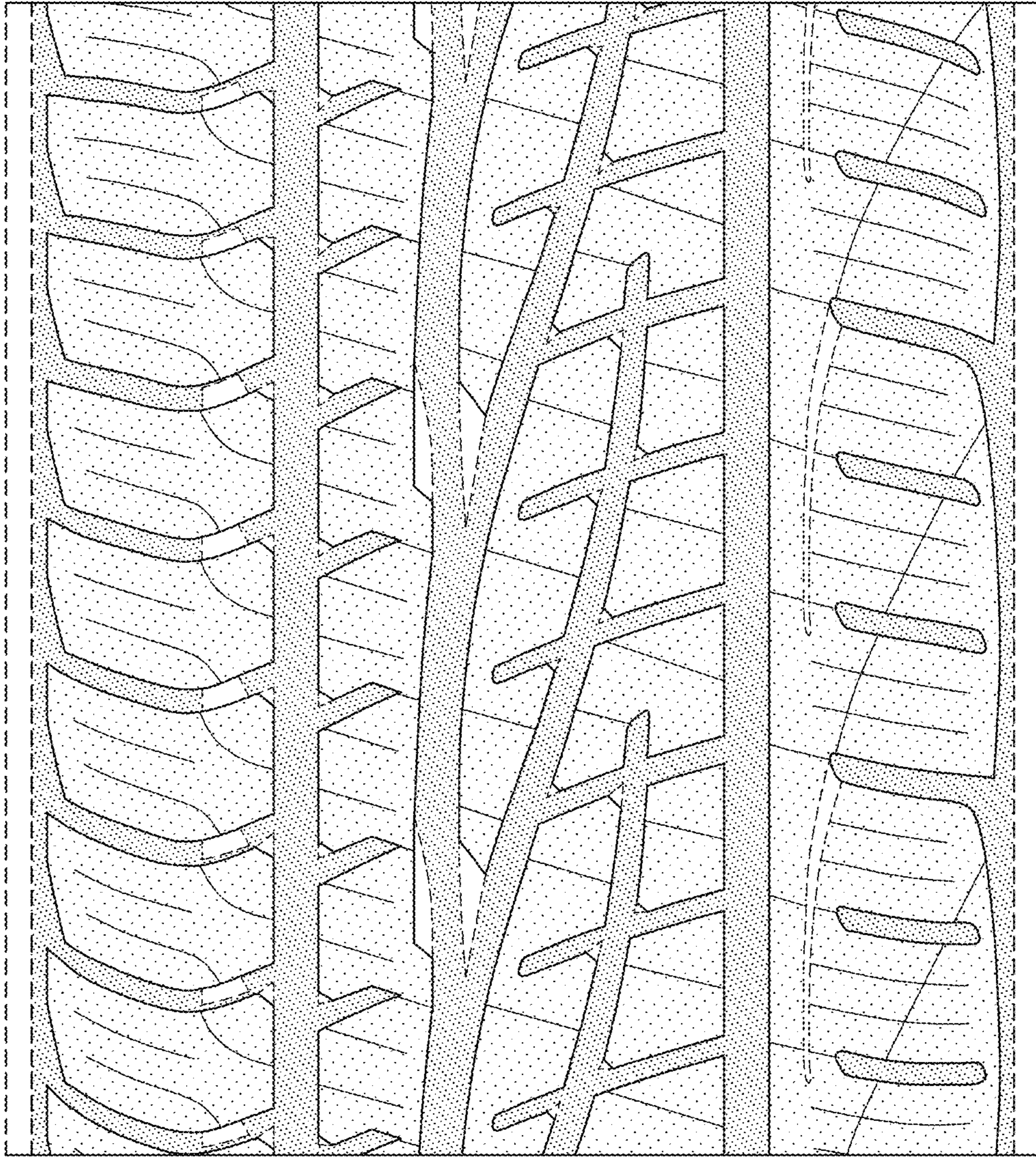


FIG-5