



US00D798787S

(12) **United States Design Patent**
Song et al.

(10) **Patent No.:** **US D798,787 S**

(45) **Date of Patent:** **** Oct. 3, 2017**

(54) **VEHICLE WHEEL**

(71) Applicant: **Ford Motor Company**, Dearborn, MI
(US)

(72) Inventors: **Solomon H Song**, Farmington Hills, MI
(US); **Mark Kaski**, Royal Oak, MI
(US); **Max Wolff**, Birmingham, MI
(US)

(73) Assignee: **Ford Motor Company**, Dearborn, MI
(US)

(**) Term: **15 Years**

(21) Appl. No.: **29/531,493**

(22) Filed: **Jun. 26, 2015**

(51) **LOC (10) Cl.** **12-16**

(52) **U.S. Cl.**
USPC **D12/211**

(58) **Field of Classification Search**
USPC D12/204–213

CPC B60B 7/00; B60B 7/02; B60B 7/04; B60B
7/01; B60B 7/06; B60B 3/02; B60B 3/04;
B60B 3/06; B60B 3/10; B60B 1/00;
B60B 1/08; B60B 1/10; B60B 1/12

See application file for complete search history.

(56) **References Cited**

U.S. PATENT DOCUMENTS

D477,556 S * 7/2003 Koch D12/211
D508,007 S * 8/2005 Koch D12/211
D513,728 S * 1/2006 Yazawa D12/211

D525,184 S * 7/2006 Huet D12/211
D535,935 S * 1/2007 Scheu D12/211
D593,476 S * 6/2009 Juergens D12/211
D617,249 S * 6/2010 Juergens D12/211
D619,071 S * 7/2010 Christensen D12/211
D620,871 S * 8/2010 Juergens D12/211
D628,948 S * 12/2010 Chung D12/211
D634,692 S * 3/2011 Stefanov D12/211
D635,077 S * 3/2011 Nordmann D12/209
D639,225 S * 6/2011 Forschner D12/211
D671,479 S * 11/2012 Gonser D12/209
D673,494 S * 1/2013 Lemke D12/209
D682,180 S * 5/2013 Zhao D12/211
D686,965 S * 7/2013 Pollmann D12/211
D701,813 S * 4/2014 Kern D12/211
D717,711 S * 11/2014 Kern D12/211
D726,089 S * 4/2015 Hodges D12/211
D738,281 S * 9/2015 Watkin D12/211
D739,329 S * 9/2015 Watkin D12/211

* cited by examiner

Primary Examiner — Stacia Cadmus

(74) *Attorney, Agent, or Firm* — LeClairRyan

(57) **CLAIM**

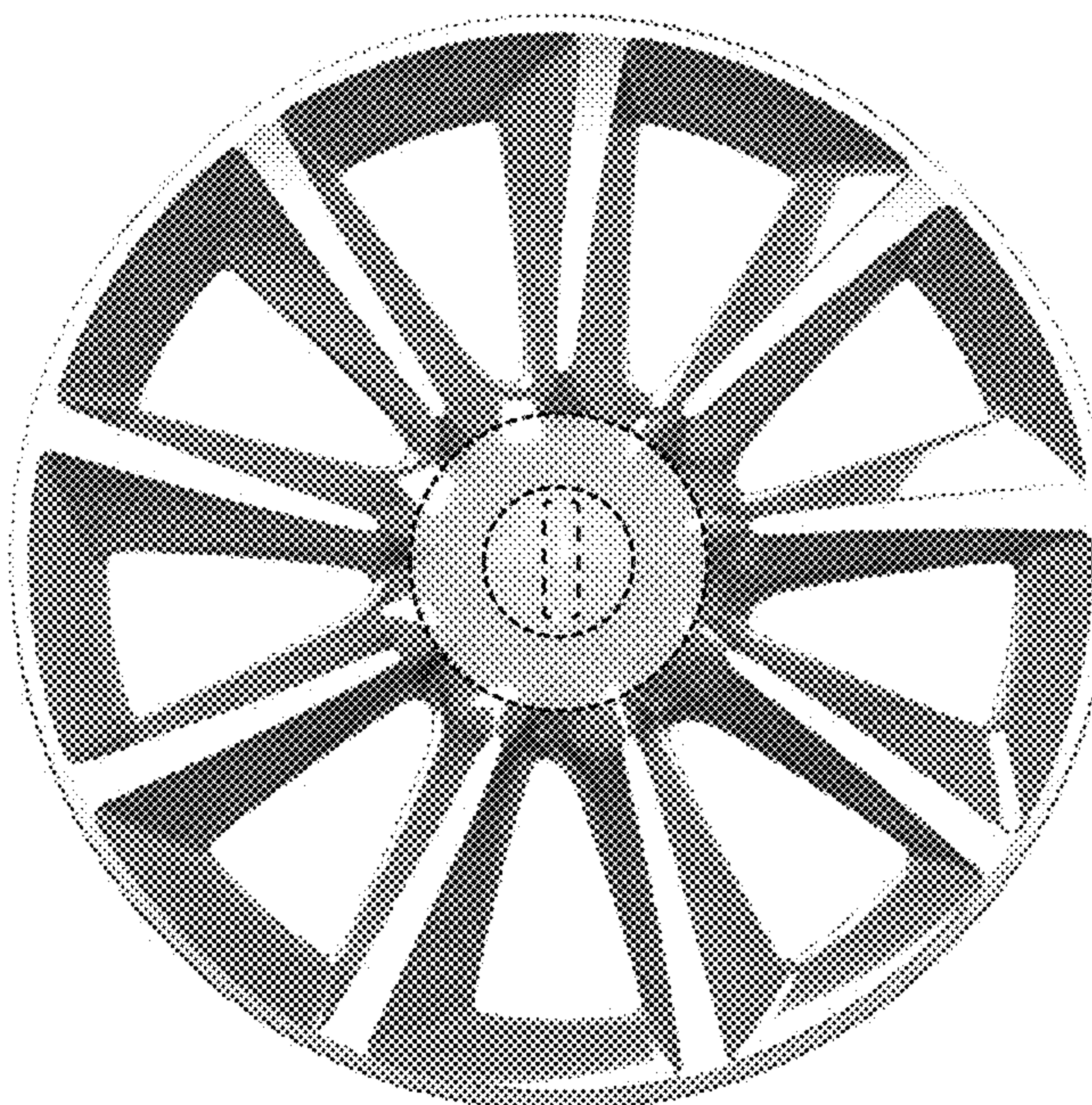
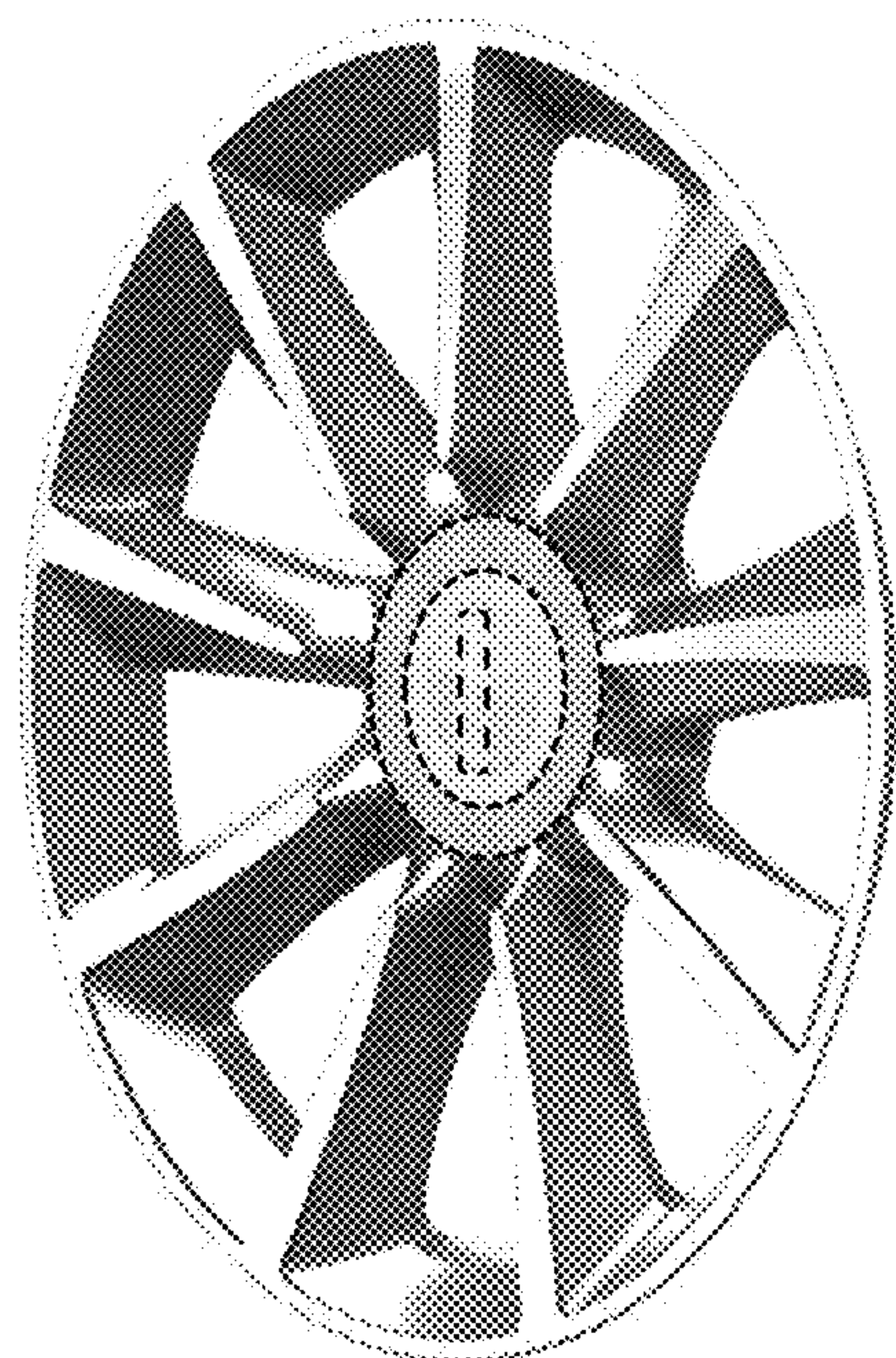
The ornamental design for a vehicle wheel, as shown and described.

DESCRIPTION

FIG. 1 is a perspective view of a vehicle wheel; and, FIG. 2 is a front view thereof.

The broken line showing of the central hub area is included for the purpose of illustrating the environment and forms no part of the claimed design.

1 Claim, 2 Drawing Sheets



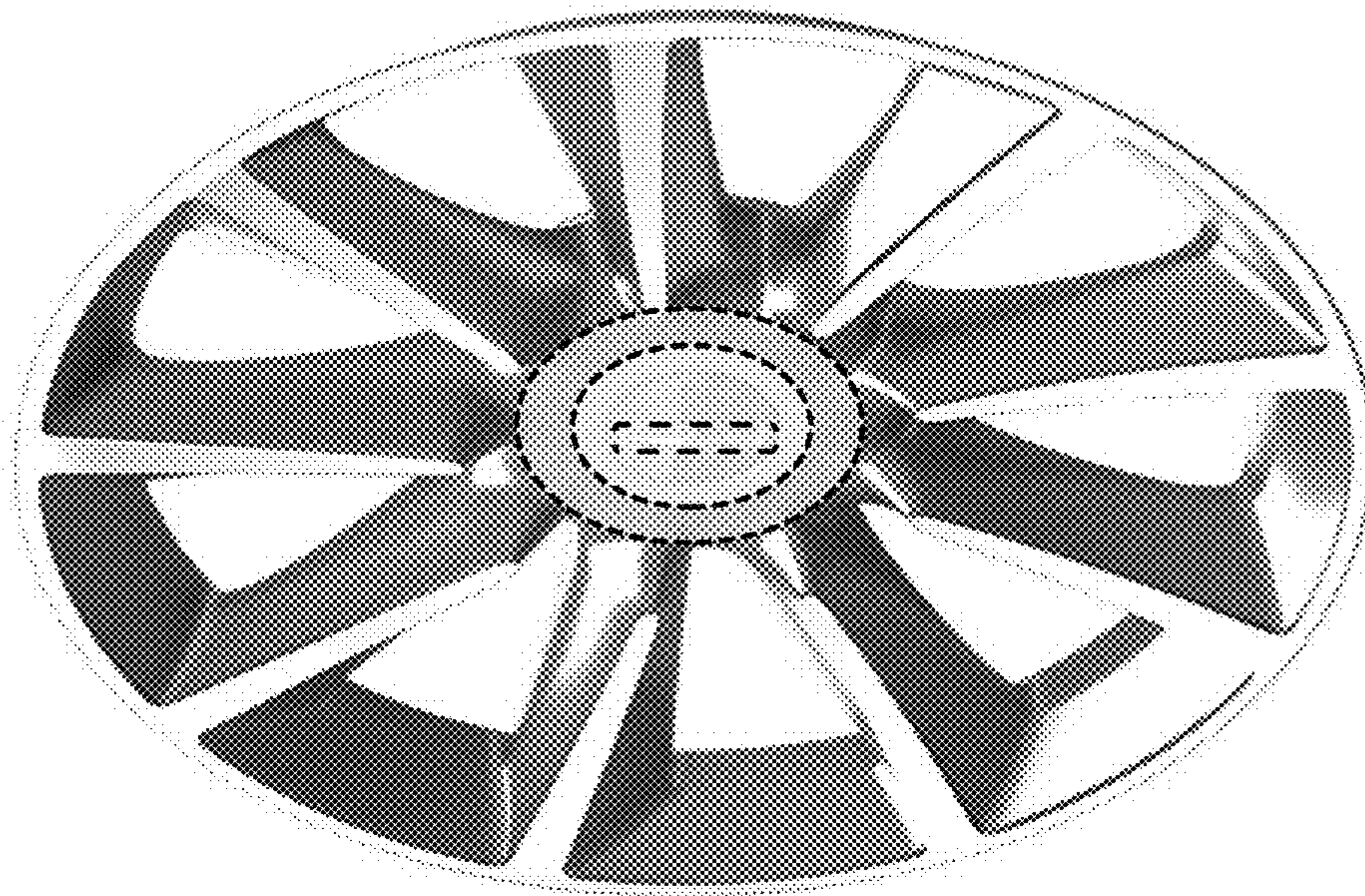


Figure 1



Figure 2