



US00D798786S

(12) **United States Design Patent**
Chung

(10) **Patent No.:** **US D798,786 S**

(45) **Date of Patent:** **** Oct. 3, 2017**

(54) **WHEEL**

(71) Applicant: **Wheel Pros, LLC**, Greenwood Village, CO (US)

(72) Inventor: **Suny Chung**, Anaheim, CA (US)

(**) Term: **15 Years**

(21) Appl. No.: **29/582,739**

(22) Filed: **Oct. 30, 2016**

(51) **LOC (10) Cl.** **12-16**

(52) **U.S. Cl.**
USPC **D12/209**

(58) **Field of Classification Search**
USPC D12/204–213
CPC B60B 7/00; B60B 7/02; B60B 7/04; B60B 7/01; B60B 7/06; B60B 3/02; B60B 3/04; B60B 3/10; B60B 1/00; B60B 1/08; B60B 1/10; B60B 1/12
See application file for complete search history.

D492,925 S	7/2004	Fitzgerald	
D496,317 S	9/2004	Kataoka	
D508,007 S *	8/2005	Koch	D12/211
D538,726 S	3/2007	Wright	
D538,727 S	3/2007	Wright	
D571,702 S *	6/2008	Guidry	D12/209
D577,322 S *	9/2008	Scheu	D12/209
D583,290 S	12/2008	Wang	
D585,801 S	2/2009	Wang	
D627,697 S	11/2010	Wang	
D651,150 S	12/2011	Blewer	
D651,151 S	12/2011	Blewer	
D698,298 S	1/2014	Cortes	
D701,811 S *	4/2014	Hale, Jr.	D12/211
D701,812 S *	4/2014	Hale, Jr.	D12/211
D711,304 S	8/2014	Chung	
D715,211 S	10/2014	Gotschke	
D719,891 S *	12/2014	Johnson	D12/209
D760,138 S *	6/2016	Henderson	D12/209
D763,774 S *	8/2016	Henderson	D12/213
D791,041 S *	7/2017	Johnson	D12/209
D791,672 S *	7/2017	Palana	D12/211

* cited by examiner

Primary Examiner — Stacia Cadmus

(74) *Attorney, Agent, or Firm* — Eric Hanscom

(56) **References Cited**

U.S. PATENT DOCUMENTS

D273,102 S	3/1984	Woodward	
D291,796 S	9/1987	Reid	
D325,189 S *	4/1992	Kapitza	D12/209
D361,975 S	9/1995	Weld	
D408,775 S	4/1999	Shikado	
D451,061 S *	11/2001	Ishihara	D12/209
D455,698 S	4/2002	Chung	
D467,212 S	12/2002	Noriega	
D475,006 S *	5/2003	Yoshida	D12/209
D478,542 S	8/2003	Sulahian	
D482,996 S	12/2003	Sulahian	

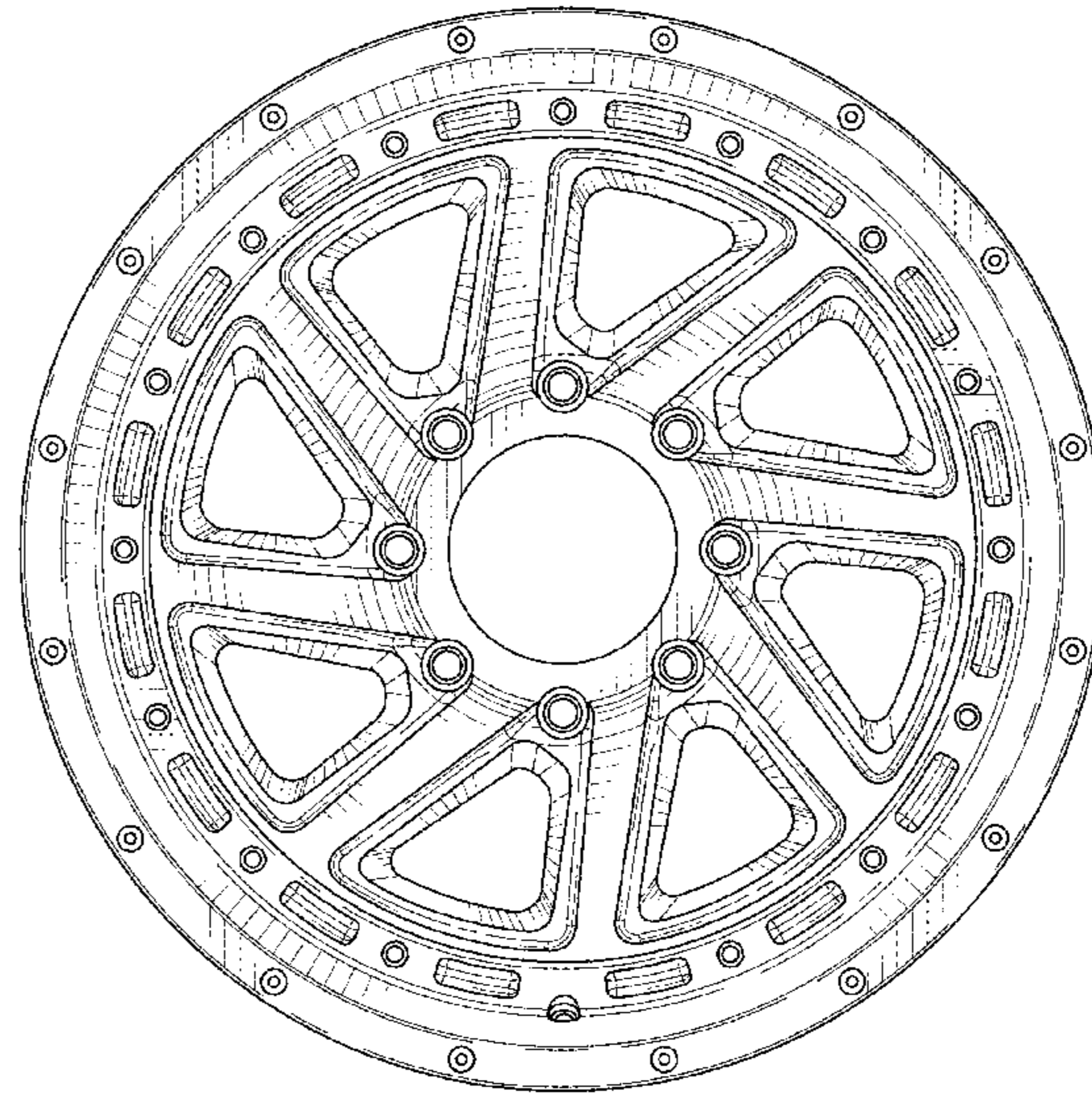
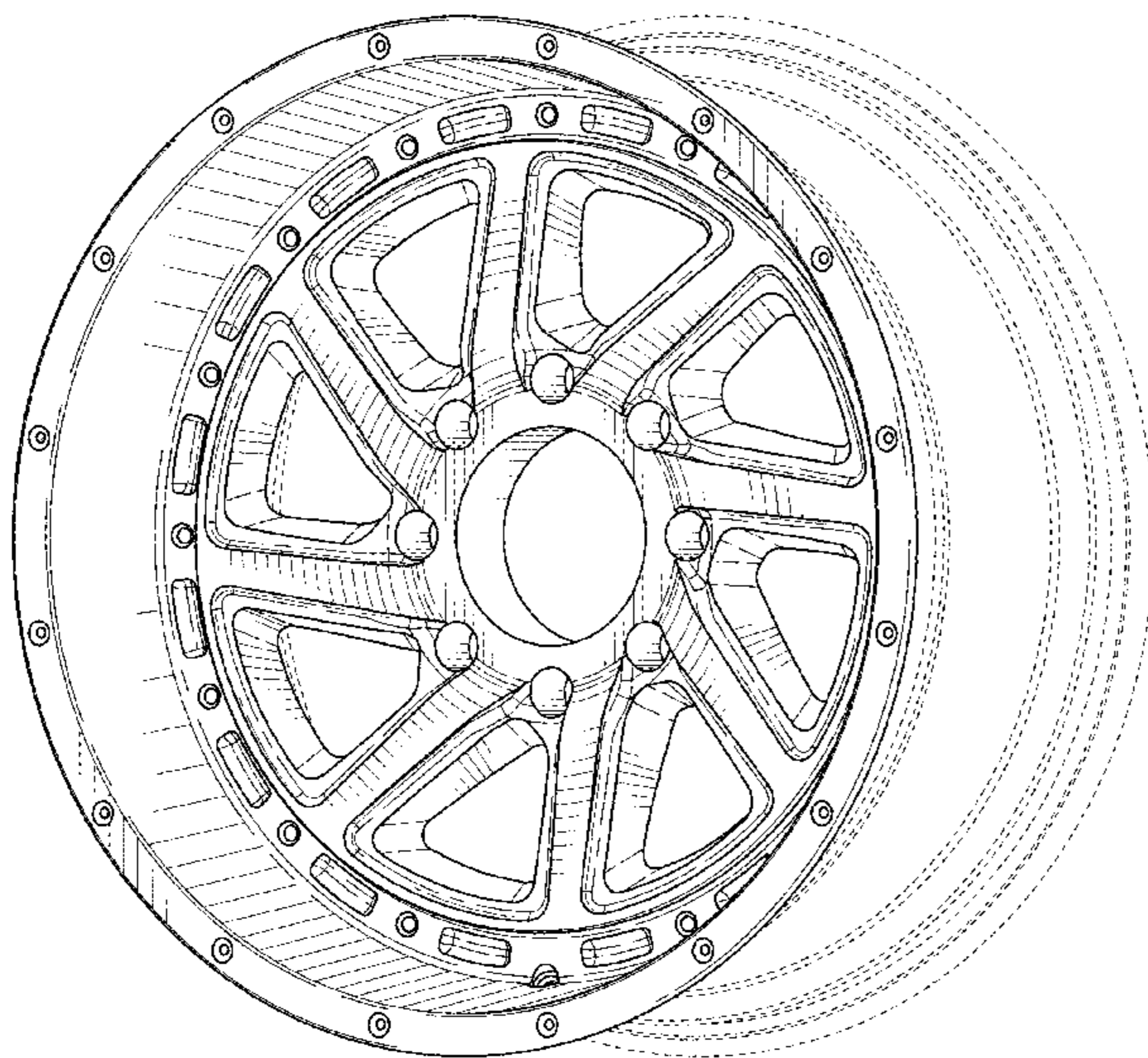
(57) **CLAIM**

The ornamental design for a wheel, as shown and described.

DESCRIPTION

FIG. 1 is a perspective view of a wheel showing my new design; and, FIG. 2 is a front view thereof. In the drawings, the broken lines depict environmental subject matter only and form no part of the claimed design.

1 Claim, 2 Drawing Sheets



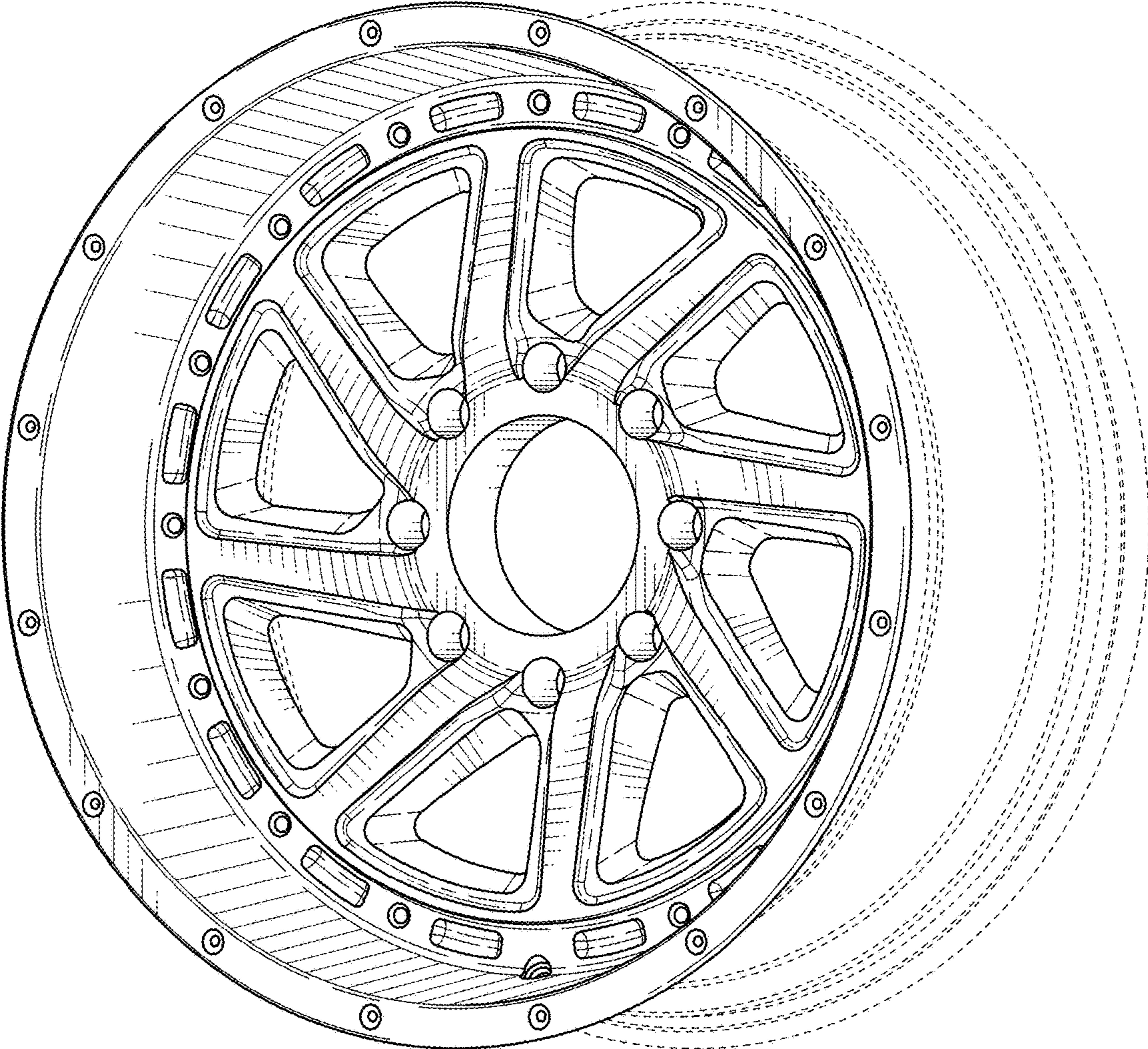


FIG. 1

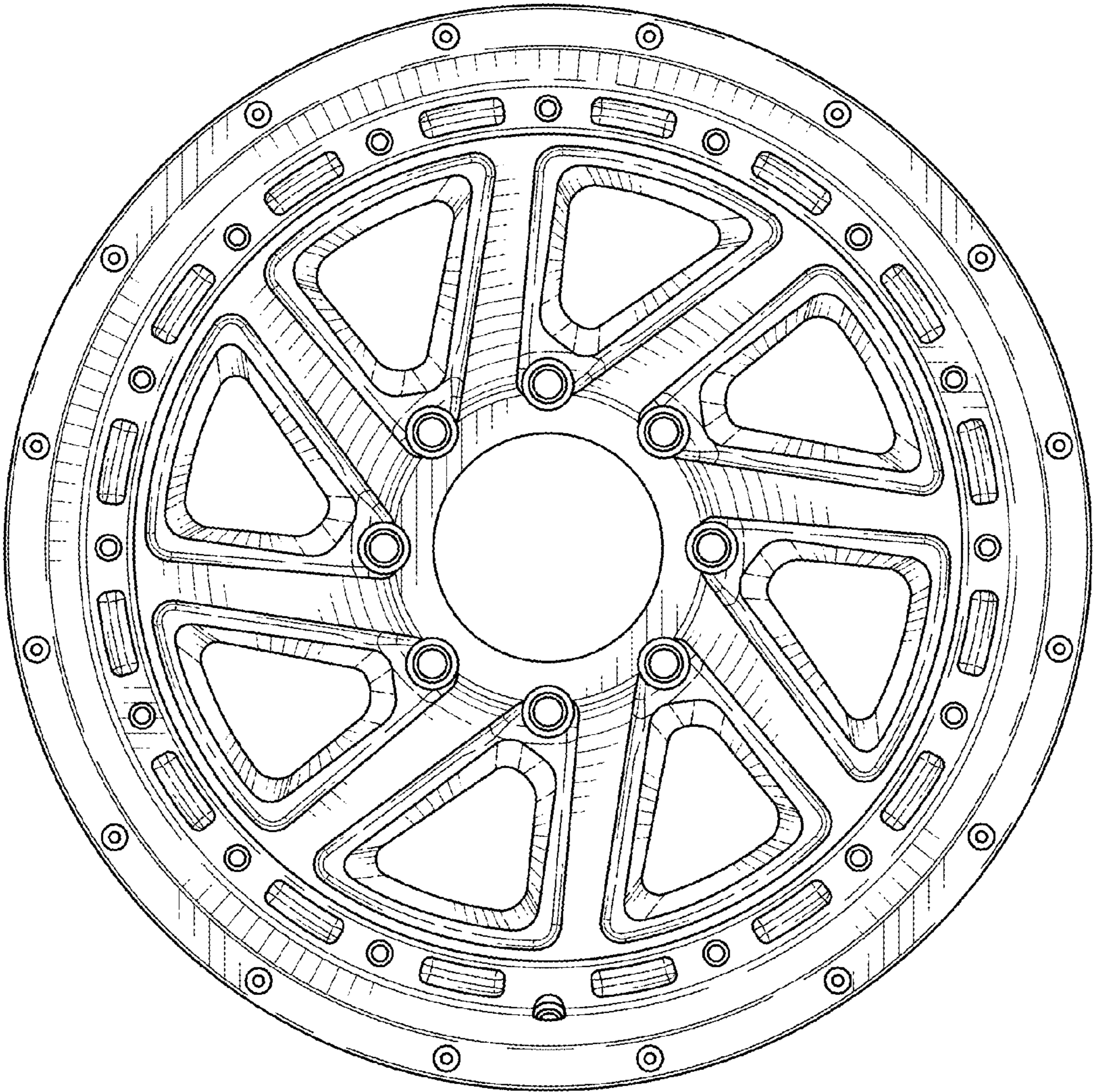


FIG. 2