



US00D798785S

(12) **United States Design Patent**
Spillers

(10) **Patent No.:** **US D798,785 S**

(45) **Date of Patent:** **** Oct. 3, 2017**

(54) **MOTORCYCLE WHEEL RIM**

(71) Applicant: **Coastal Moto, LLC**, Ormond Beach, FL (US)

(72) Inventor: **Jason Spillers**, Ormond Beach, FL (US)

(**) Term: **15 Years**

(21) Appl. No.: **29/580,438**

(22) Filed: **Oct. 10, 2016**

(51) **LOC (10) Cl.** **12-16**

(52) **U.S. Cl.**
USPC **D12/209**

(58) **Field of Classification Search**
USPC D12/204-213
CPC B60B 7/00; B60B 7/02; B60B 7/04; B60B 7/01; B60B 7/06; B60B 3/02; B60B 3/04; B60B 3/06; B60B 3/10; B60B 1/00; B60B 1/08; B60B 1/10; B60B 1/12
See application file for complete search history.

(56) **References Cited**

U.S. PATENT DOCUMENTS

D432,973 S * 10/2000 Fitzgerald D12/209
D479,172 S * 9/2003 Sulahian D12/209

D510,899 S * 10/2005 Noriega D12/209
D643,356 S * 8/2011 Gotschke D12/209
D753,575 S * 4/2016 Capristo D12/211
D761,181 S * 7/2016 Bucher D12/209
D765,001 S * 8/2016 Dillender D12/209
D784,234 S * 4/2017 Houghton D12/209

* cited by examiner

Primary Examiner — Stacia Cadmus

(74) *Attorney, Agent, or Firm* — The Rapacke Law Group PA

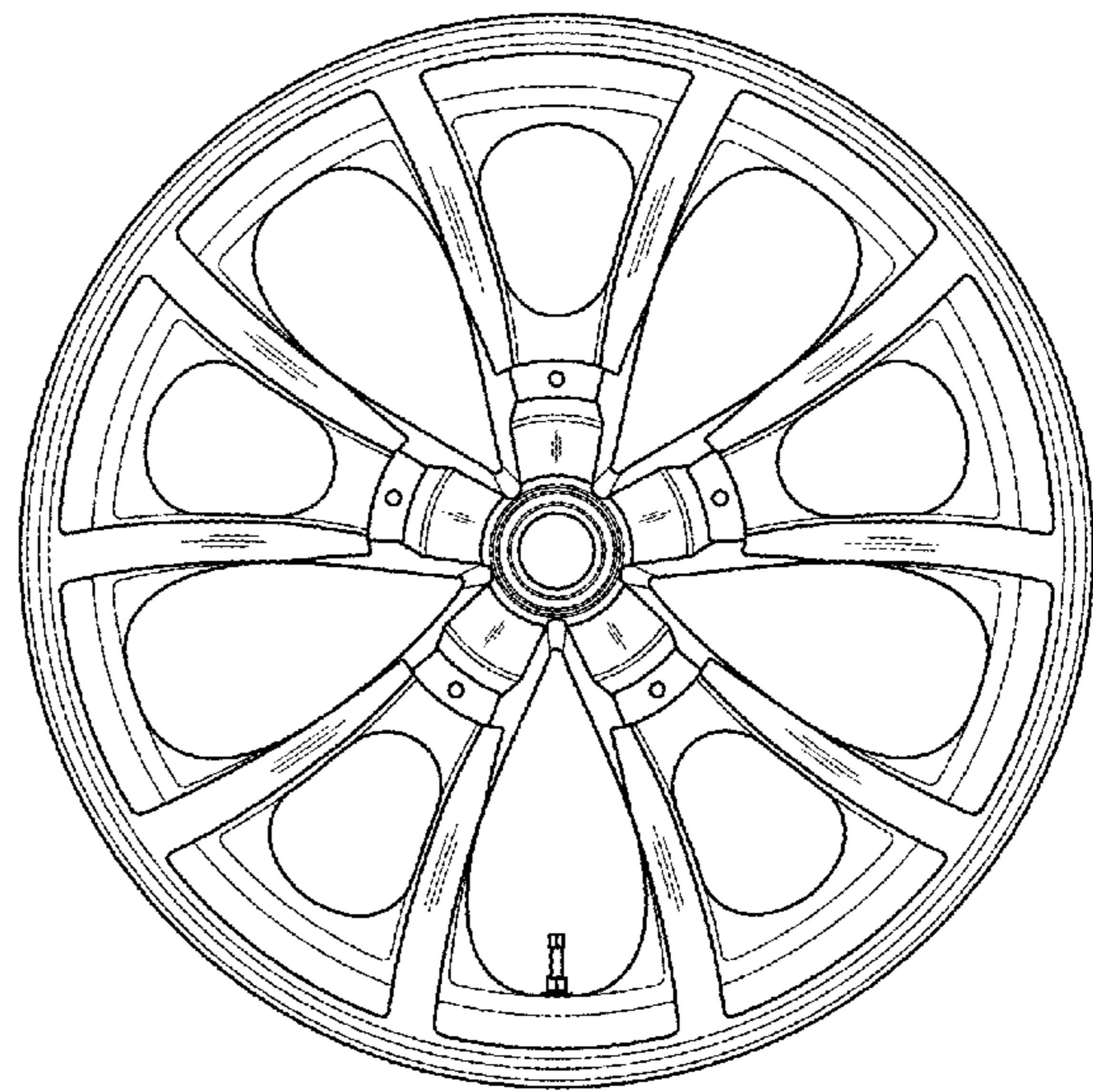
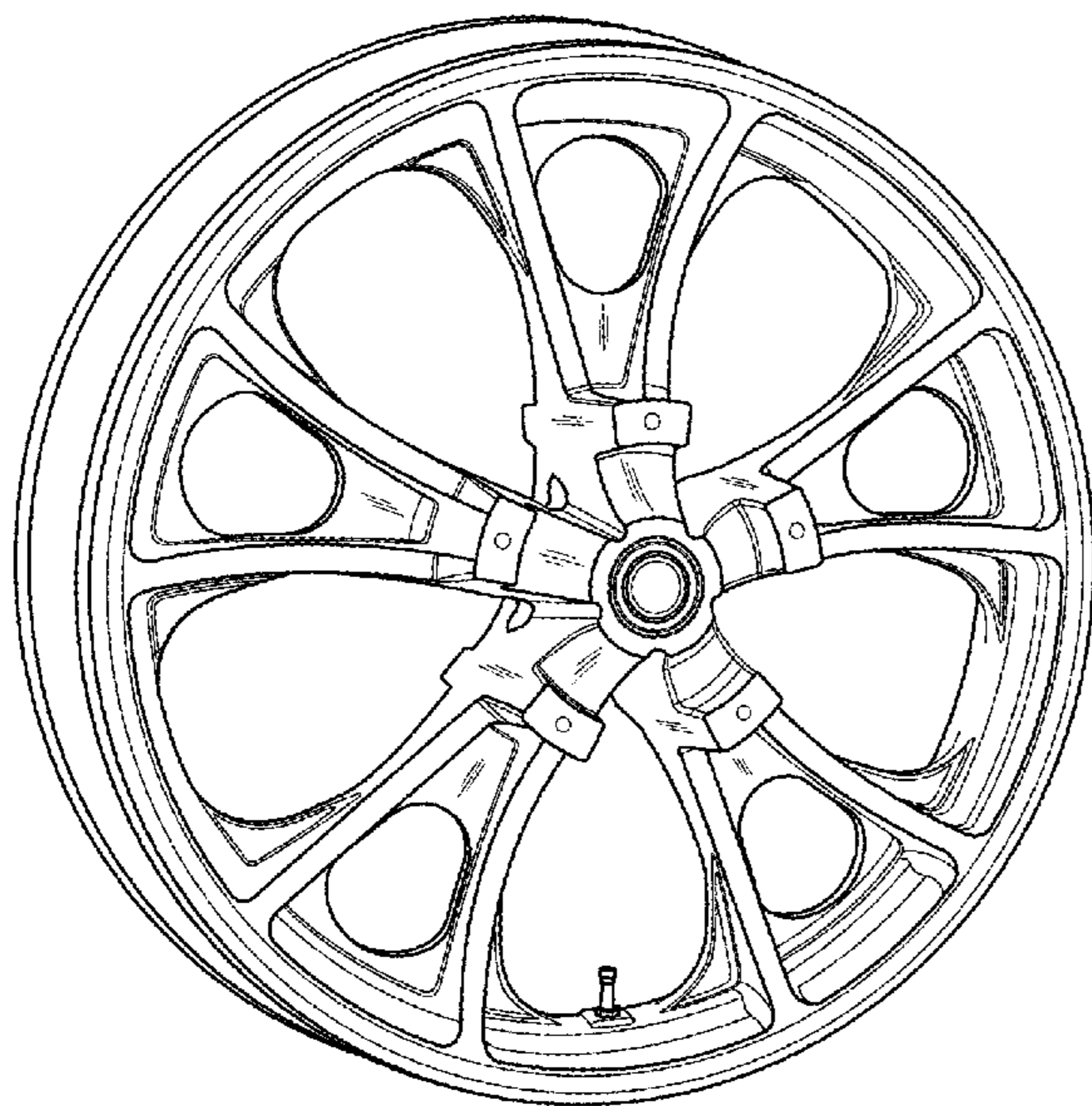
(57) **CLAIM**

The ornamental design for a motorcycle wheel rim, as shown and described.

DESCRIPTION

FIG. 1 is a perspective view of a motorcycle wheel rim; FIG. 2 is a front view thereof; FIG. 3 is a rear view thereof; FIG. 4 is a left side view thereof; FIG. 5 is a right side view thereof; FIG. 6 is a top view thereof; and, FIG. 7 is a bottom view thereof.

1 Claim, 7 Drawing Sheets



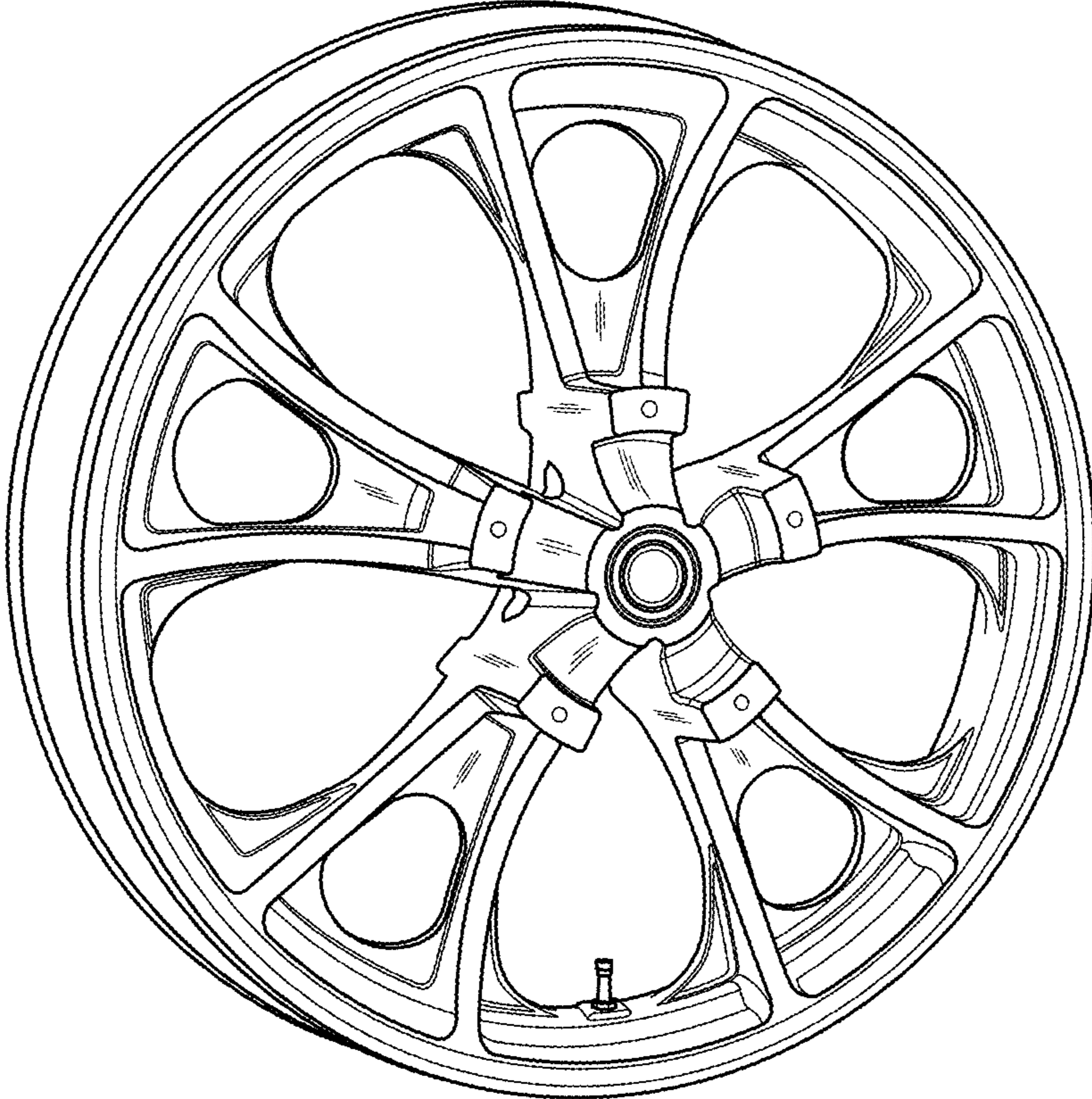


FIG. 1

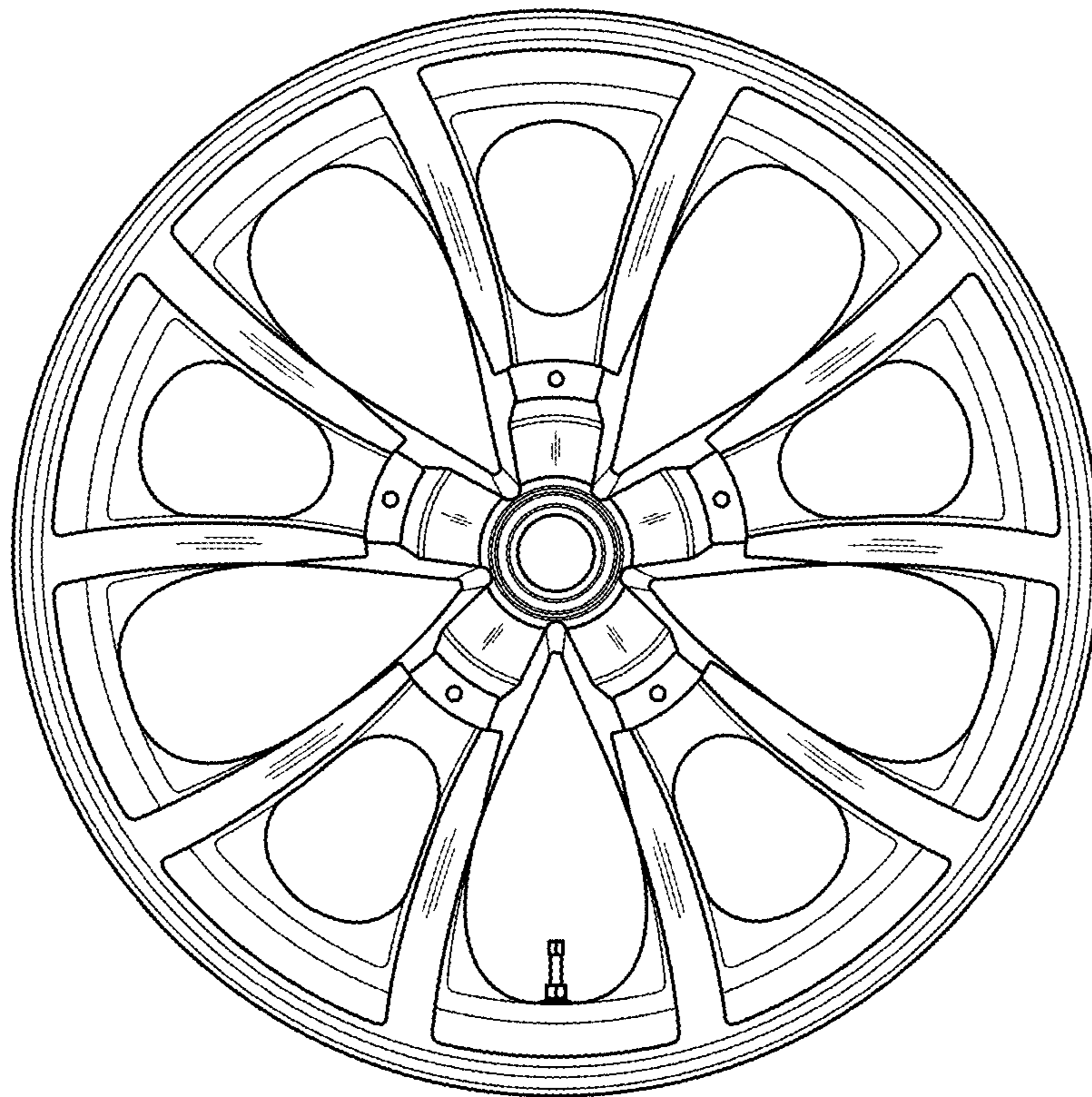


FIG. 2

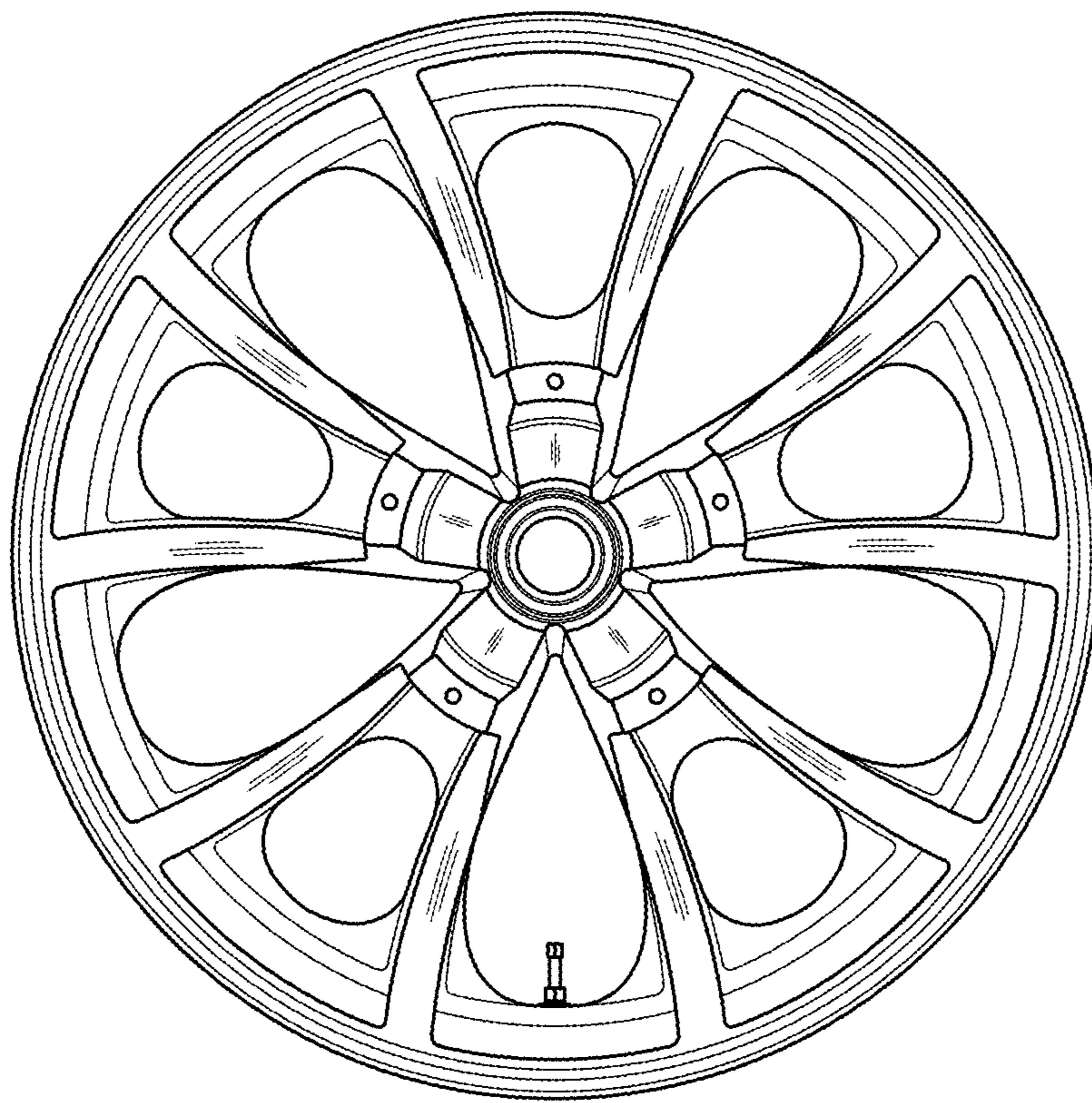


FIG. 3

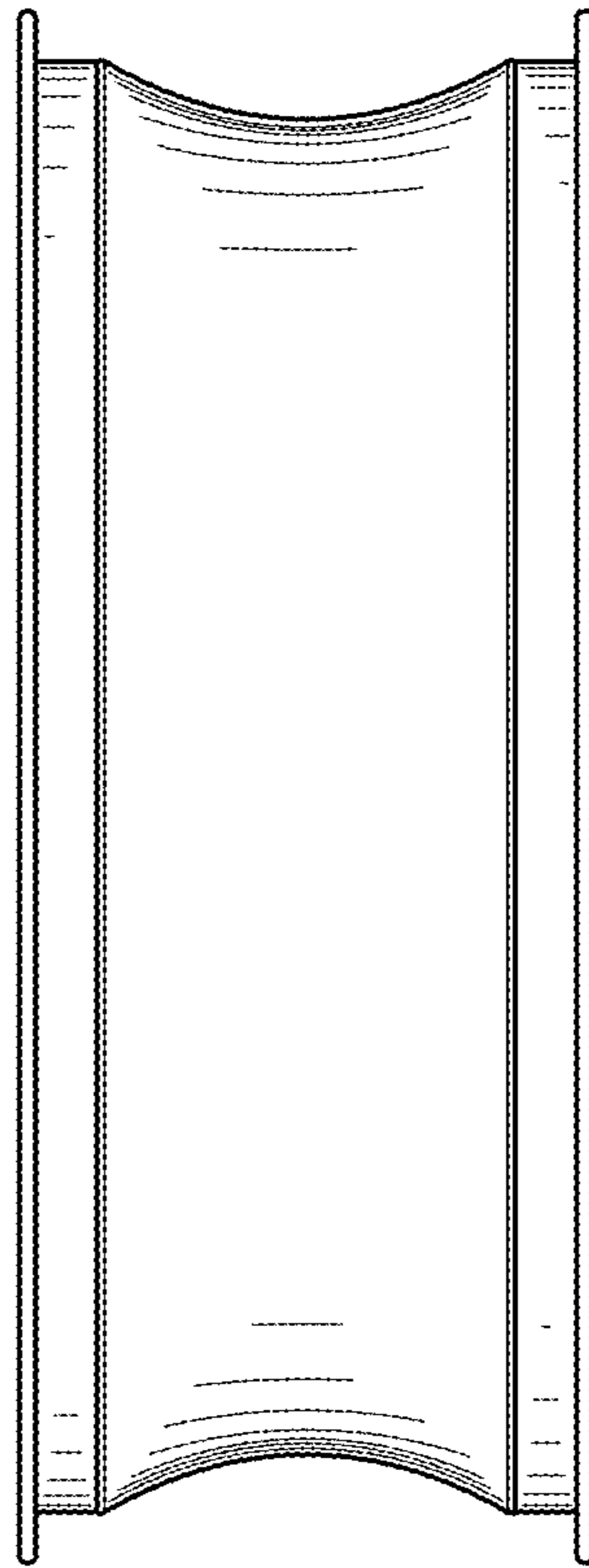


FIG. 4

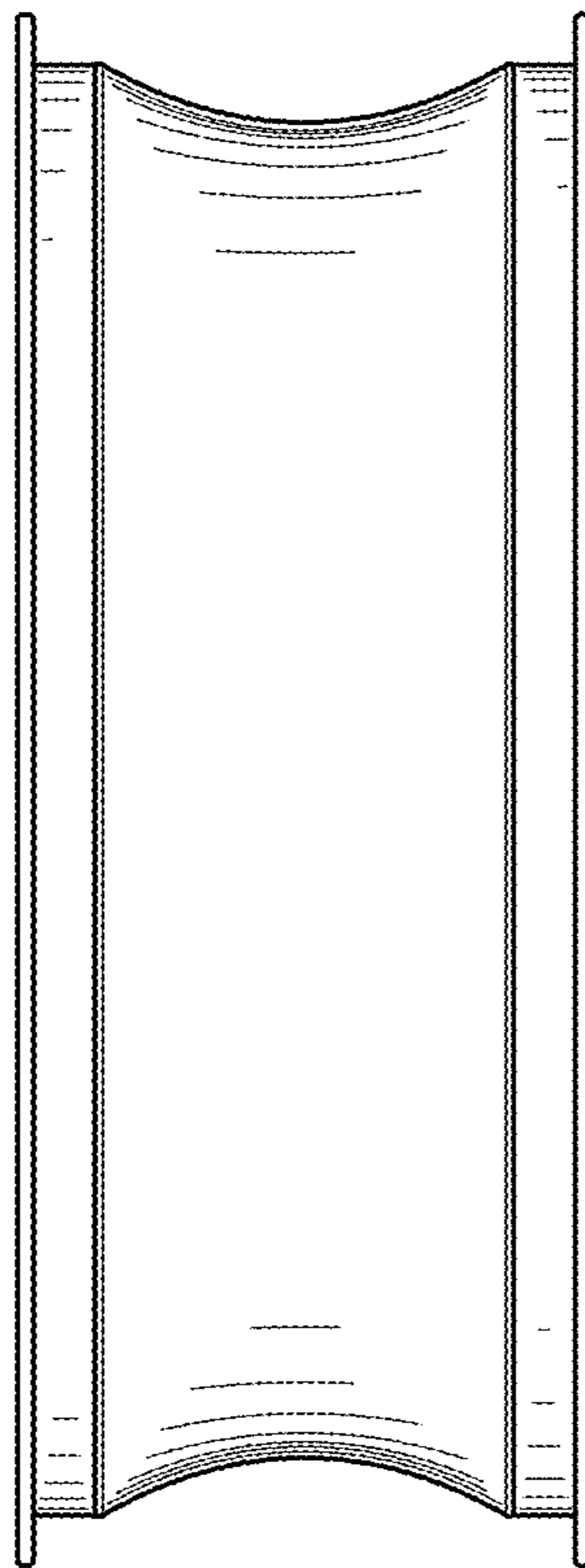


FIG. 5

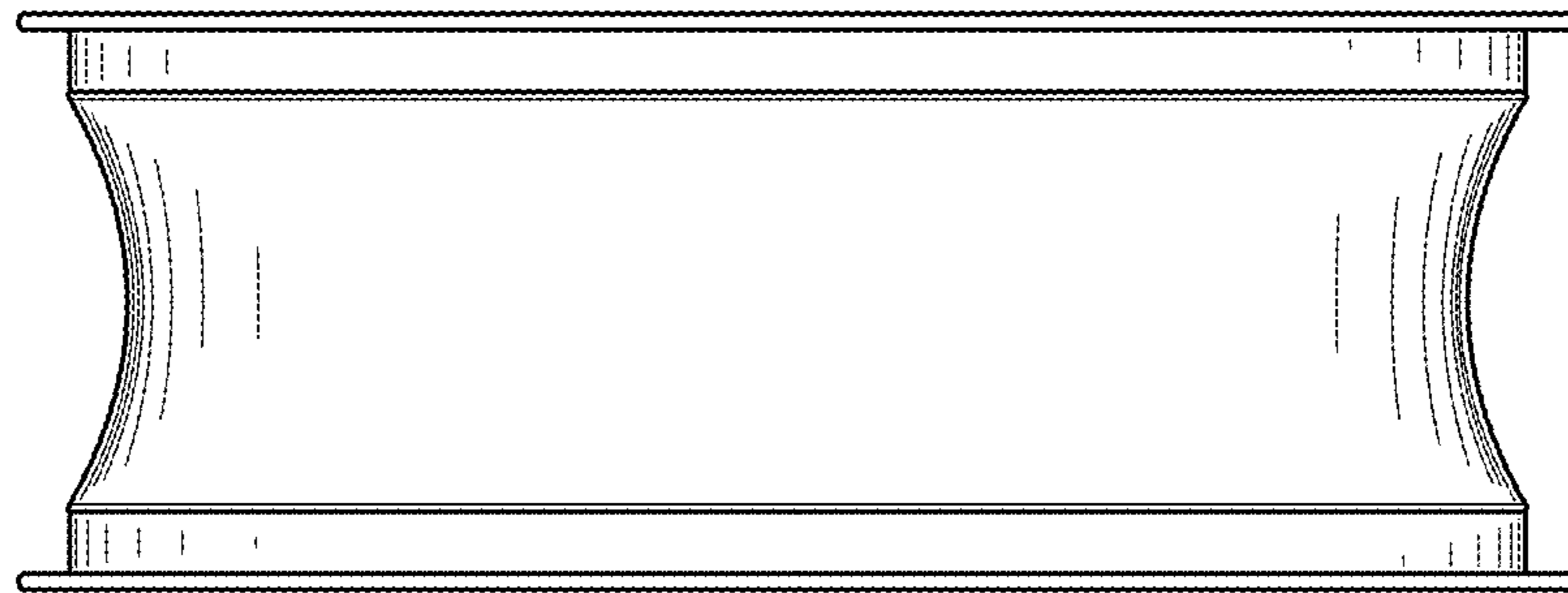


FIG. 6

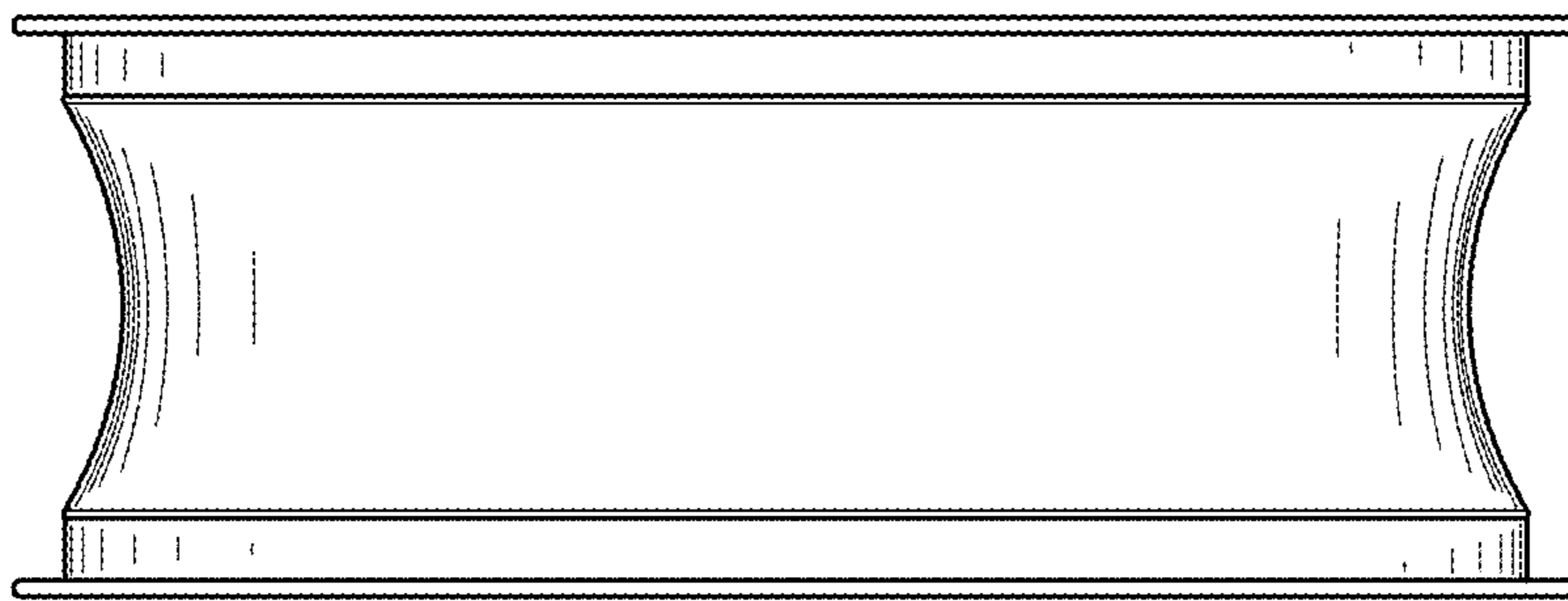


FIG. 7