



US00D798784S

(12) **United States Design Patent**
Kim

(10) **Patent No.:** **US D798,784 S**

(45) **Date of Patent:** **** Oct. 3, 2017**

(54) **TAILGATE PANEL OF CAR**

(71) Applicant: **GM GLOBAL TECHNOLOGY OPERATIONS LLC**, Detroit, MI (US)

(72) Inventor: **Jihyun Kim**, Seoul (KR)

(73) Assignee: **GM GLOBAL TECHNOLOGY OPERATIONS LLC**, Detroit, MI (US)

(**) Term: **15 Years**

(21) Appl. No.: **29/572,502**

(22) Filed: **Jul. 28, 2016**

(30) **Foreign Application Priority Data**

Feb. 12, 2016 (KR) 30-2016-0006602

(51) **LOC (10) Cl.** **12-16**

(52) **U.S. Cl.**
USPC **D12/196**

(58) **Field of Classification Search**
USPC D12/86, 88, 90, 91, 92, 181, 184, 196,
D12/400; D21/424, 433, 434; 296/181.1,
296/181.2, 181.5

CPC B62D 24/00; B62D 25/00; B62D 25/02;
B62D 25/03; B62D 25/08; B62D
33/0273; B62D 33/033; B62D 33/037;
B62D 24/02; B62D 25/003; B62D 25/18;
B62D 25/027

See application file for complete search history.

(56) **References Cited**

U.S. PATENT DOCUMENTS

D678,821 S * 3/2013 Ikeda D12/91
D706,692 S * 6/2014 Wheel D12/196

D726,615 S * 4/2015 Wolff D12/196
D750,531 S * 3/2016 Watkins D12/91
D761,177 S * 7/2016 Behmer D12/196
D764,993 S * 8/2016 Messale D12/196
D764,995 S * 8/2016 Bucher D12/196
D774,417 S * 12/2016 Watkins D12/91
D776,009 S * 1/2017 Murakami D12/91
D779,378 S * 2/2017 Kim D12/91
D780,067 S * 2/2017 Zipfel D12/91
D781,195 S * 3/2017 Yu D12/196
D783,482 S * 4/2017 Smith D12/196
2012/0306231 A1* 12/2012 Ginestet B60J 5/107
296/76

* cited by examiner

Primary Examiner — Manpreet Matharu

Assistant Examiner — Yolanda Robinson

(74) *Attorney, Agent, or Firm* — Browdy and Neimark, PLLC

(57) **CLAIM**

The ornamental design for a tailgate panel of car, as shown and described.

DESCRIPTION

FIG. 1 is a perspective view of new design for a tailgate panel of car as shown in the drawings;
FIG. 2 is a front elevation view thereof;
FIG. 3 is a rear elevation view thereof;
FIG. 4 is a left side elevation view thereof;
FIG. 5 is a right side elevation view thereof;
FIG. 6 is a top plan view thereof; and,
FIG. 7 is a bottom plan view thereof.

1 Claim, 5 Drawing Sheets



Fig. 1



Fig. 2



Fig. 3

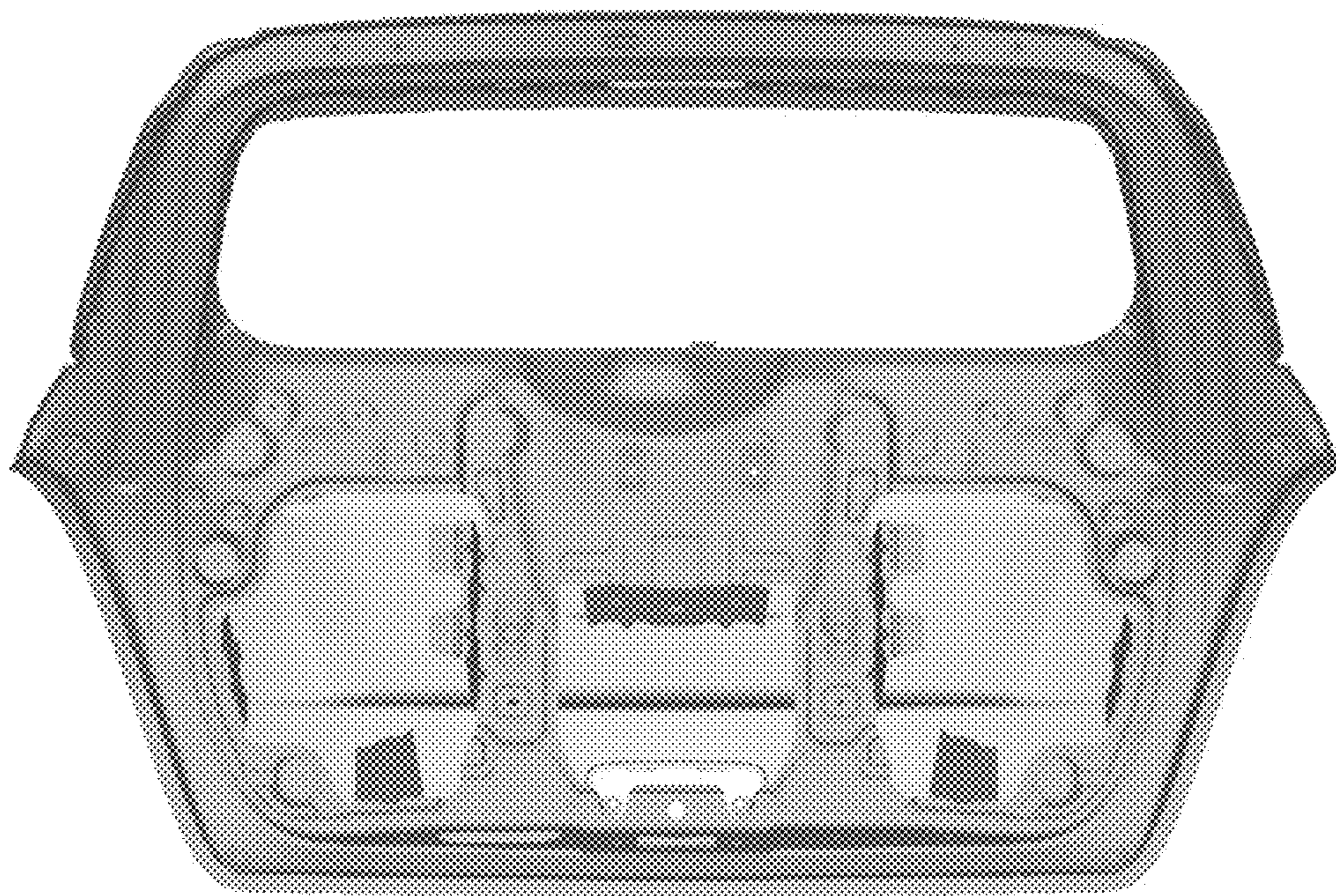


Fig. 4

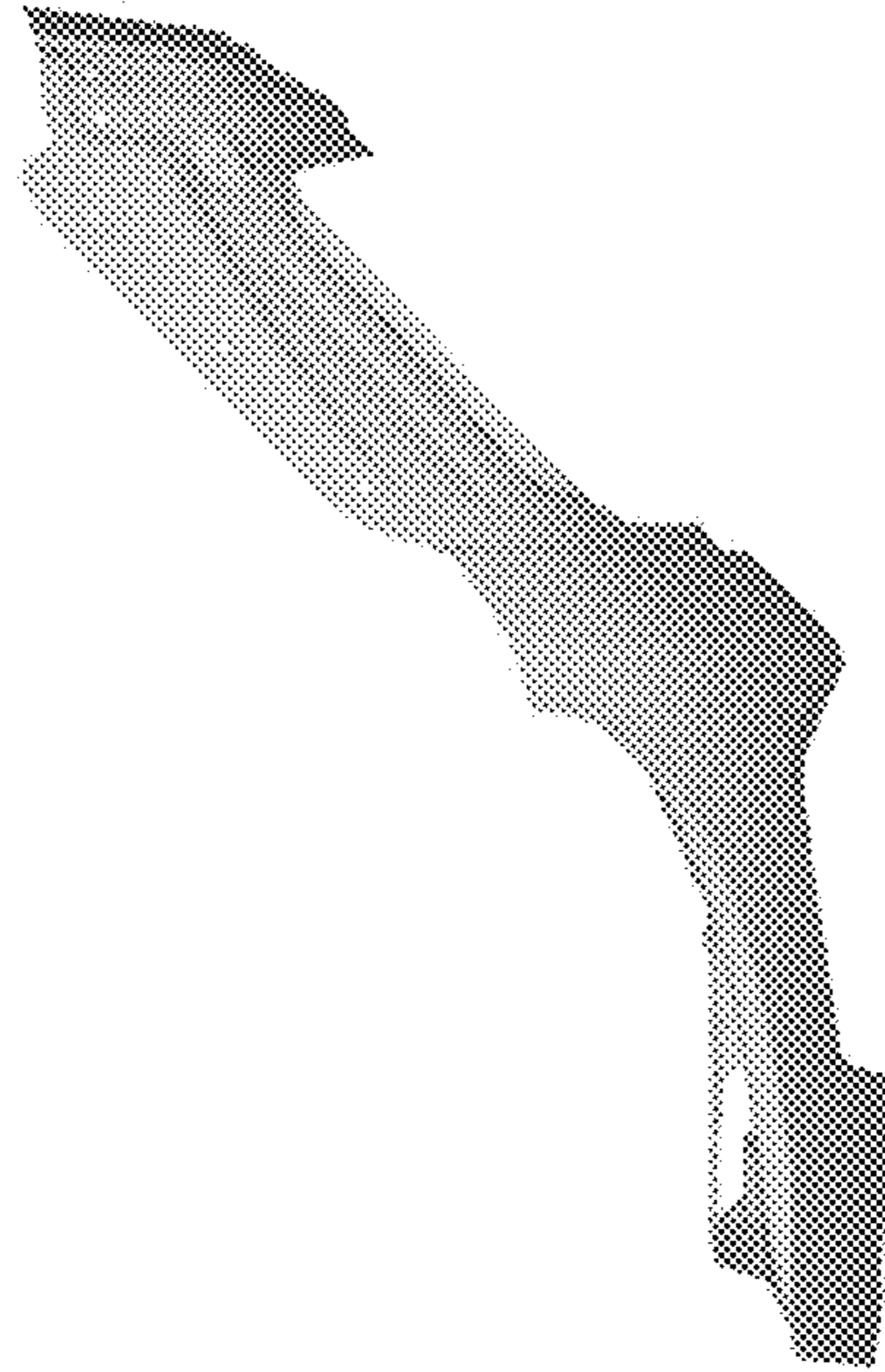


Fig. 5

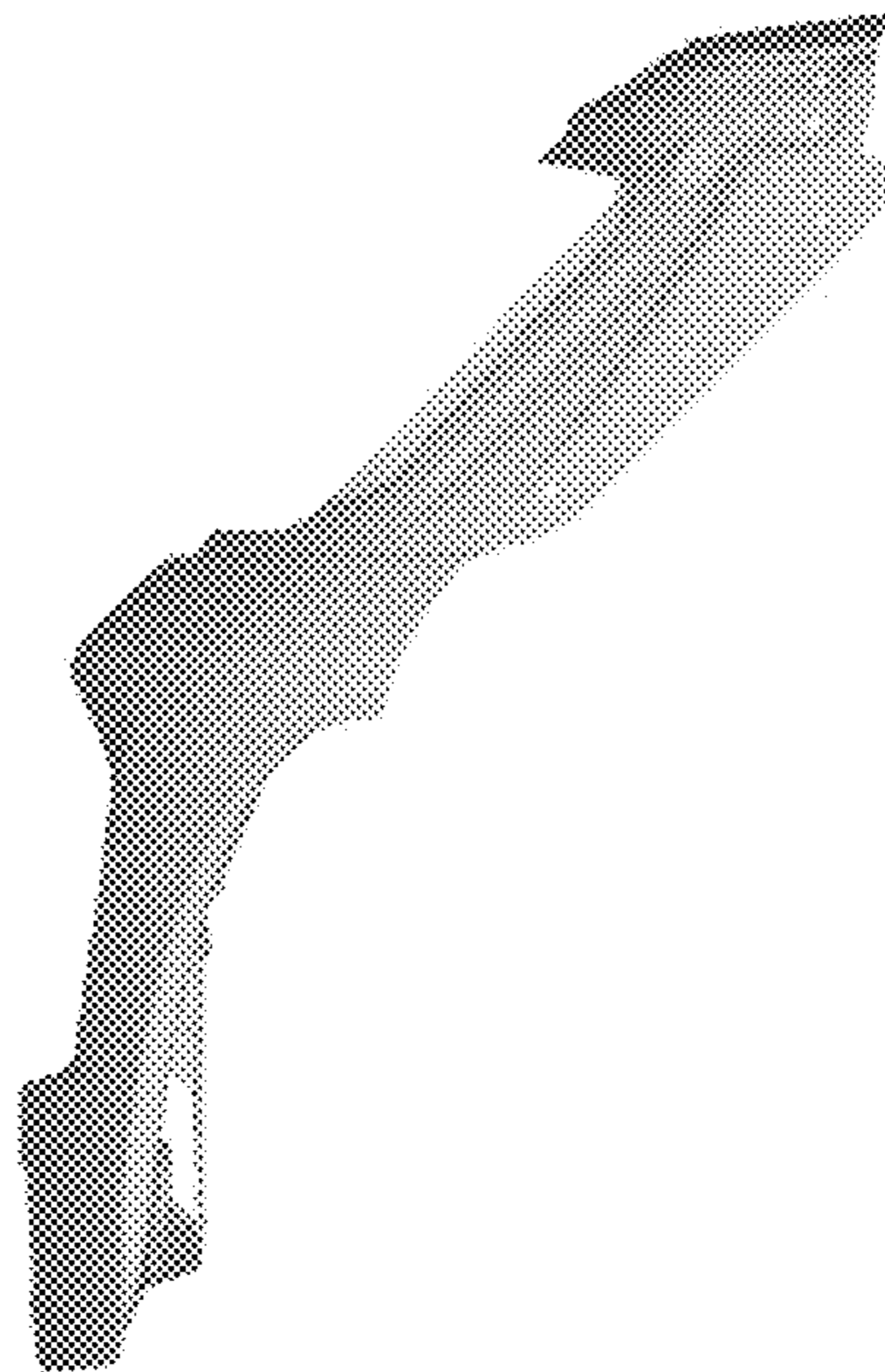


Fig. 6

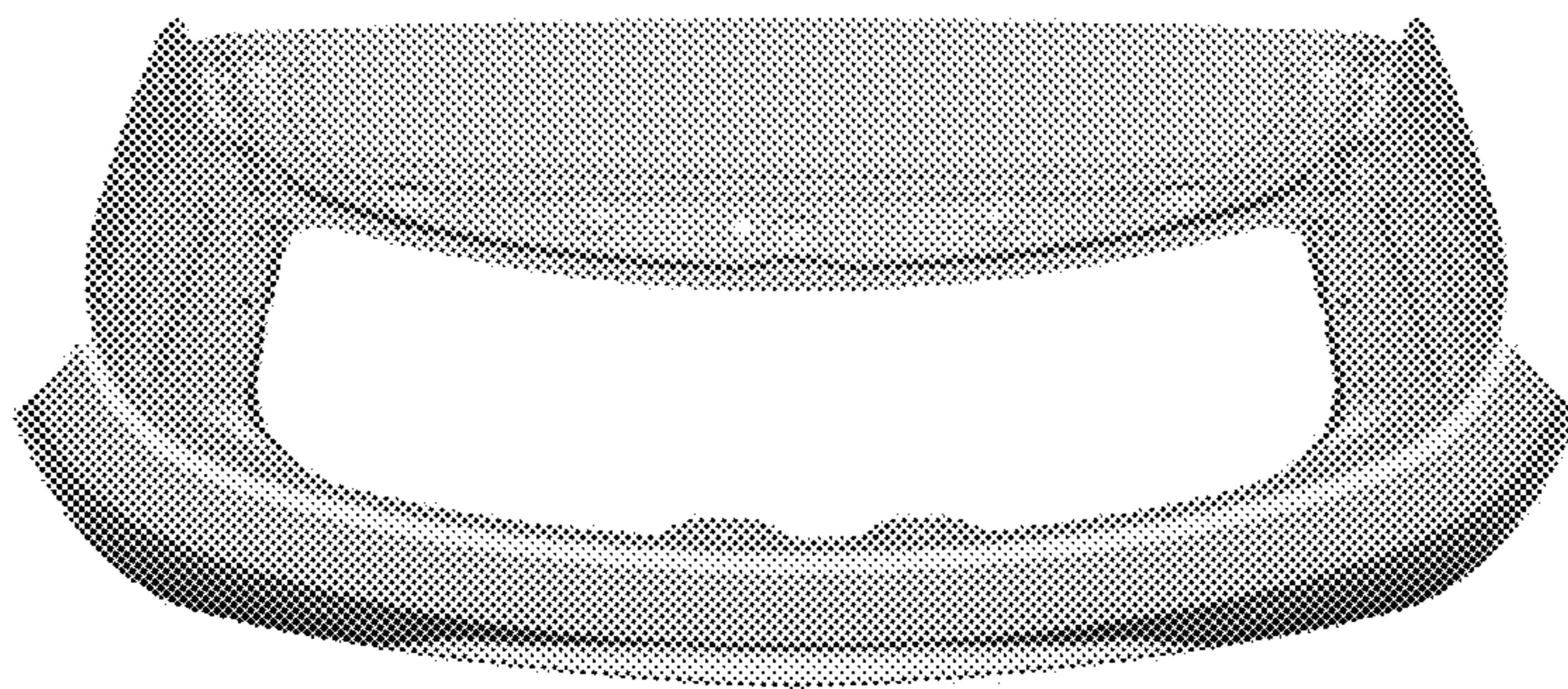


Fig. 7

