



US00D798783S

(12) **United States Design Patent** (10) **Patent No.:** **US D798,783 S**  
**Li** (45) **Date of Patent:** **\*\* Oct. 3, 2017**

(54) **AUTOMOTIVE HEAD-UP DISPLAY**  
(71) Applicant: **SHANGHAI DANLAW-XICHENG INTELLIGENCE TECHNOLOGY CO., LTD.**, Shanghai (CN)  
(72) Inventor: **Dan Li**, Shanghai (CN)  
(73) Assignee: **SHANGHAI DANLAW-XICHENG INTELLIGENCE TECHNOLOGY CO., LTD.**, Shanghai (CN)

(\*\*) Term: **15 Years**

(21) Appl. No.: **29/588,917**

(22) Filed: **Dec. 23, 2016**

(30) **Foreign Application Priority Data**

Nov. 9, 2016 (CN) ..... 2016 3 0544167

(51) **LOC (10) Cl.** ..... **12-16**

(52) **U.S. Cl.**  
USPC ..... **D12/192**

(58) **Field of Classification Search**  
USPC ..... D12/192, 415, 110, 114; D15/17, 28;  
D10/46, 98, 102-103, 122-127  
CPC ..... G08G 1/096883; G01C 21/16; G01C  
21/3688; G01C 21/30  
See application file for complete search history.

(56) **References Cited**

**U.S. PATENT DOCUMENTS**

D673,487 S \* 1/2013 Hanson ..... D12/192  
D705,146 S \* 5/2014 Takagi ..... D12/192  
D721,995 S \* 2/2015 Johansson ..... D12/192

D727,814 S \* 4/2015 Paulke ..... D12/192  
D732,448 S \* 6/2015 Yagisawa ..... D12/192  
D756,871 S \* 5/2016 Korner ..... D12/192  
D772,129 S \* 11/2016 Ichikawa ..... D12/192  
D780,078 S \* 2/2017 Hashimoto ..... D12/192  
D784,227 S \* 4/2017 Salome ..... D12/192  
D791,660 S \* 7/2017 Arceo ..... D12/192  
D791,761 S \* 7/2017 Quilling, II ..... D12/192

\* cited by examiner

*Primary Examiner* — Katrina A Betton

(74) *Attorney, Agent, or Firm* — GW Suh Patent Services

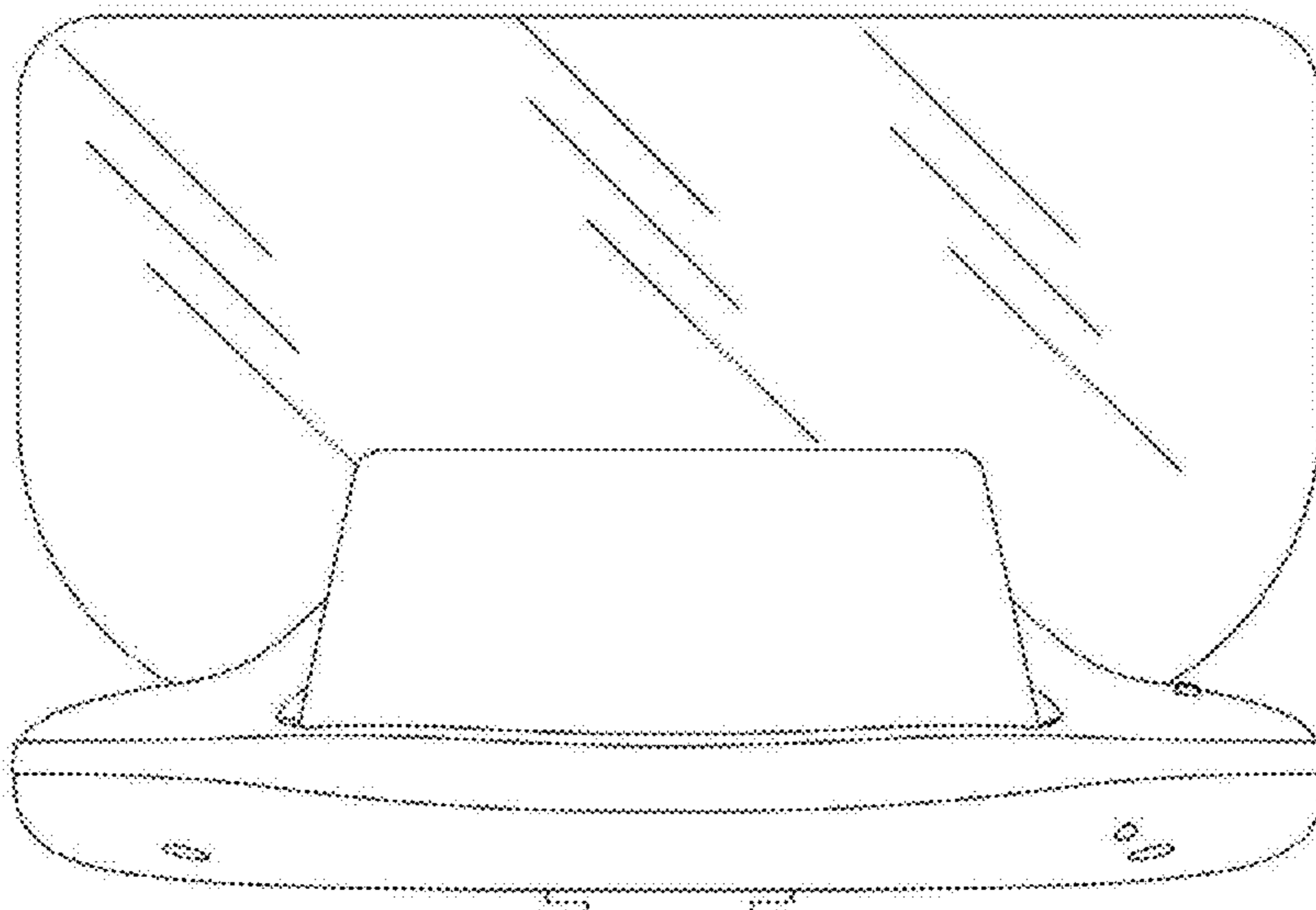
(57) **CLAIM**

The ornamental design for an automotive head-up display, as shown and described.

**DESCRIPTION**

FIG. 1 is a front view of an automotive head-up display showing my new design;  
FIG. 2 is a rear view of an automotive head-up display showing my new design;  
FIG. 3 is a left view of an automotive head-up display showing my new design;  
FIG. 4 is a right view of an automotive head-up display showing my new design;  
FIG. 5 is a top view of an automotive head-up display showing my new design;  
FIG. 6 is a bottom view of an automotive head-up display showing my new design;  
FIG. 7 is a perspective view of an automotive head-up display showing my new design; and,  
FIG. 8 is a perspective view of an automotive head-up display in an alternate position of use showing my new design.

**1 Claim, 8 Drawing Sheets**



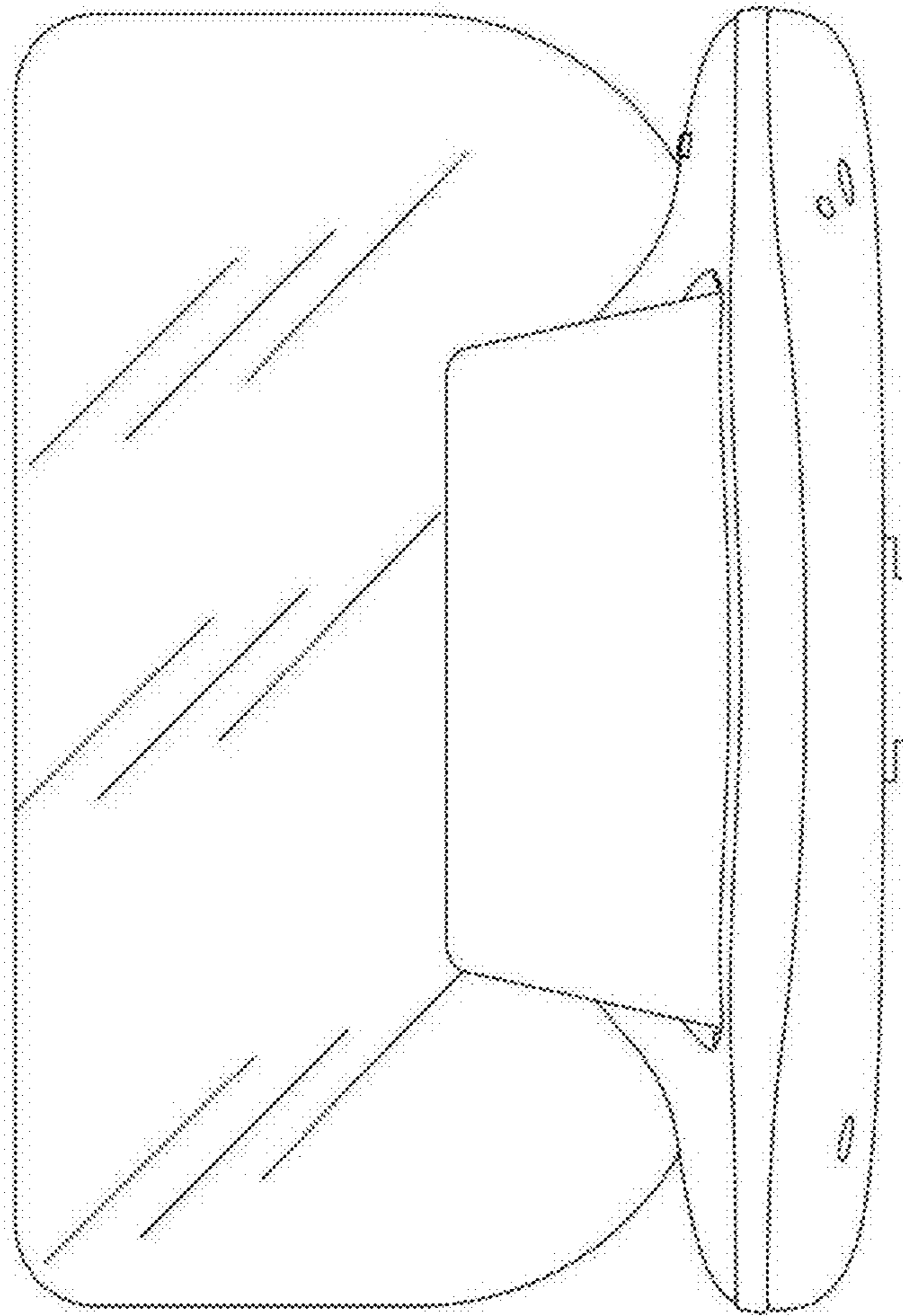


FIG. 1

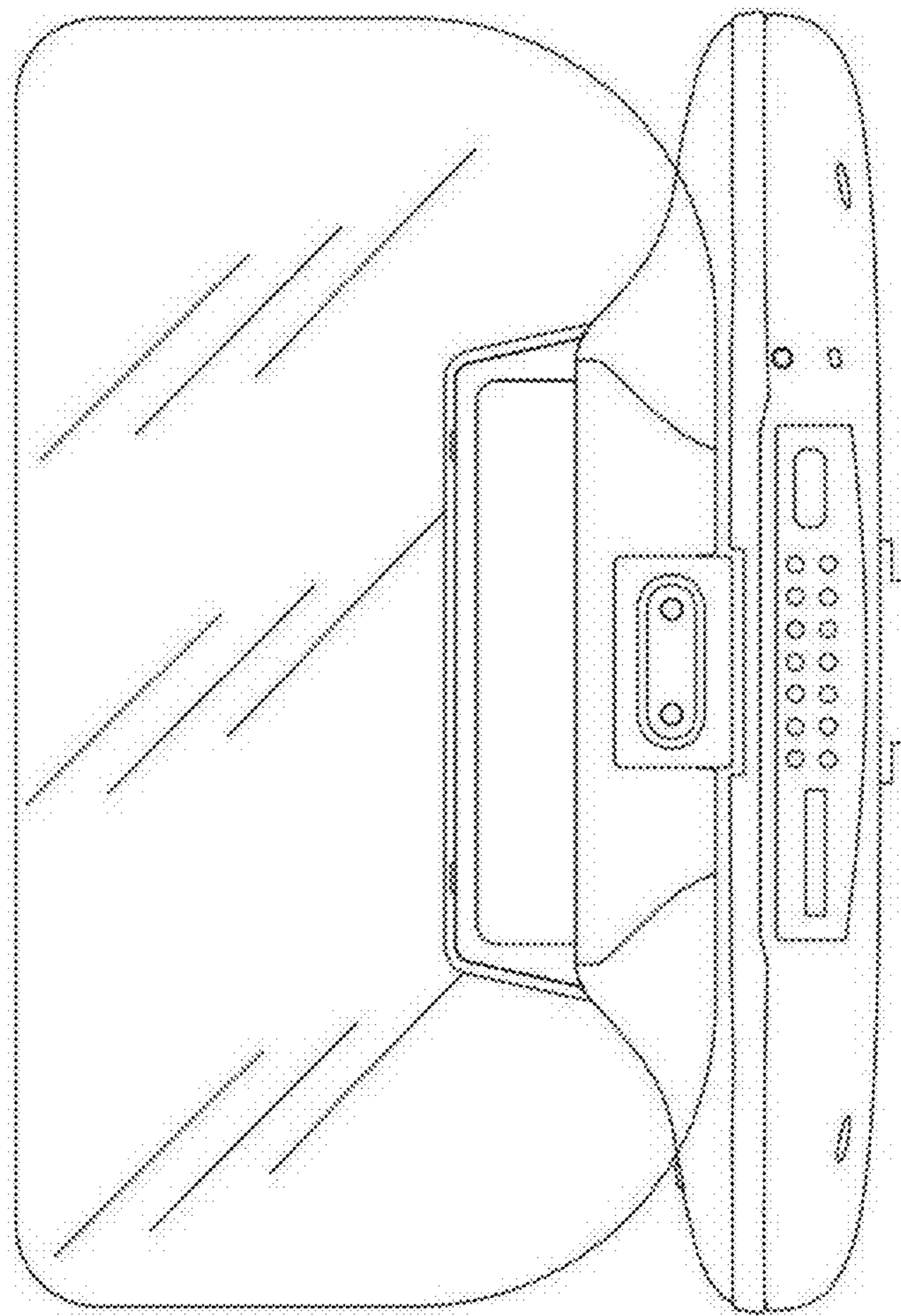


FIG.2

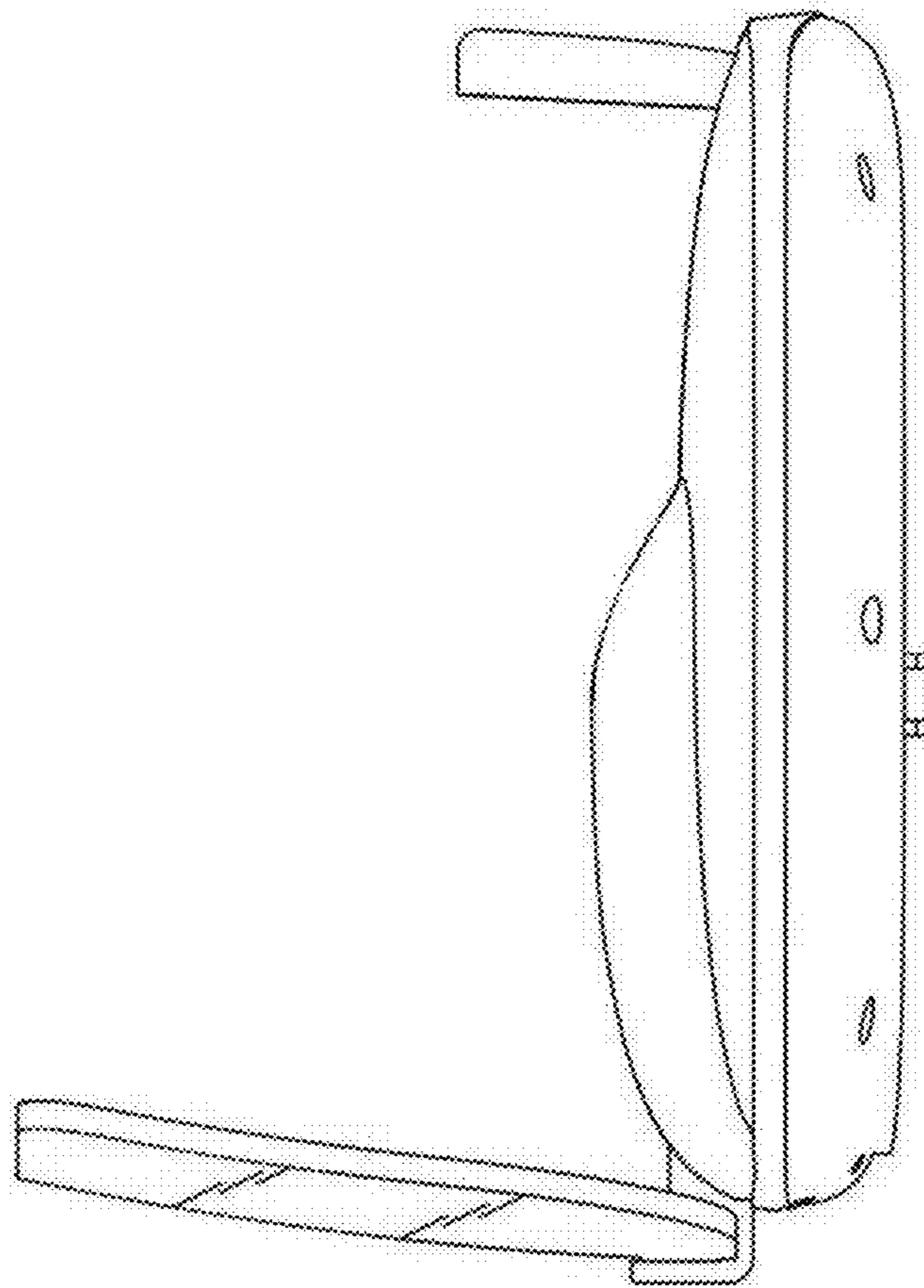


FIG.3

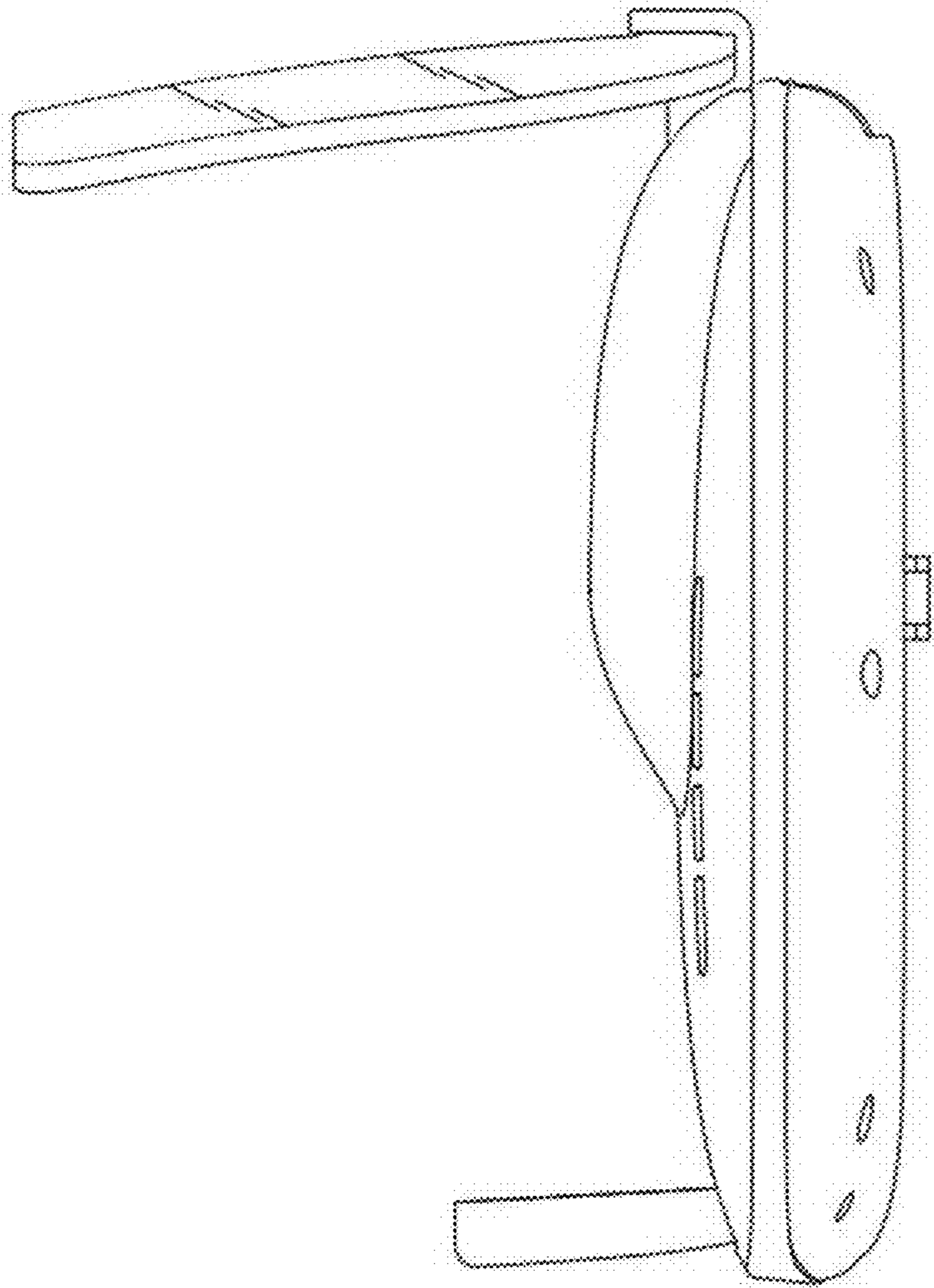


FIG.4



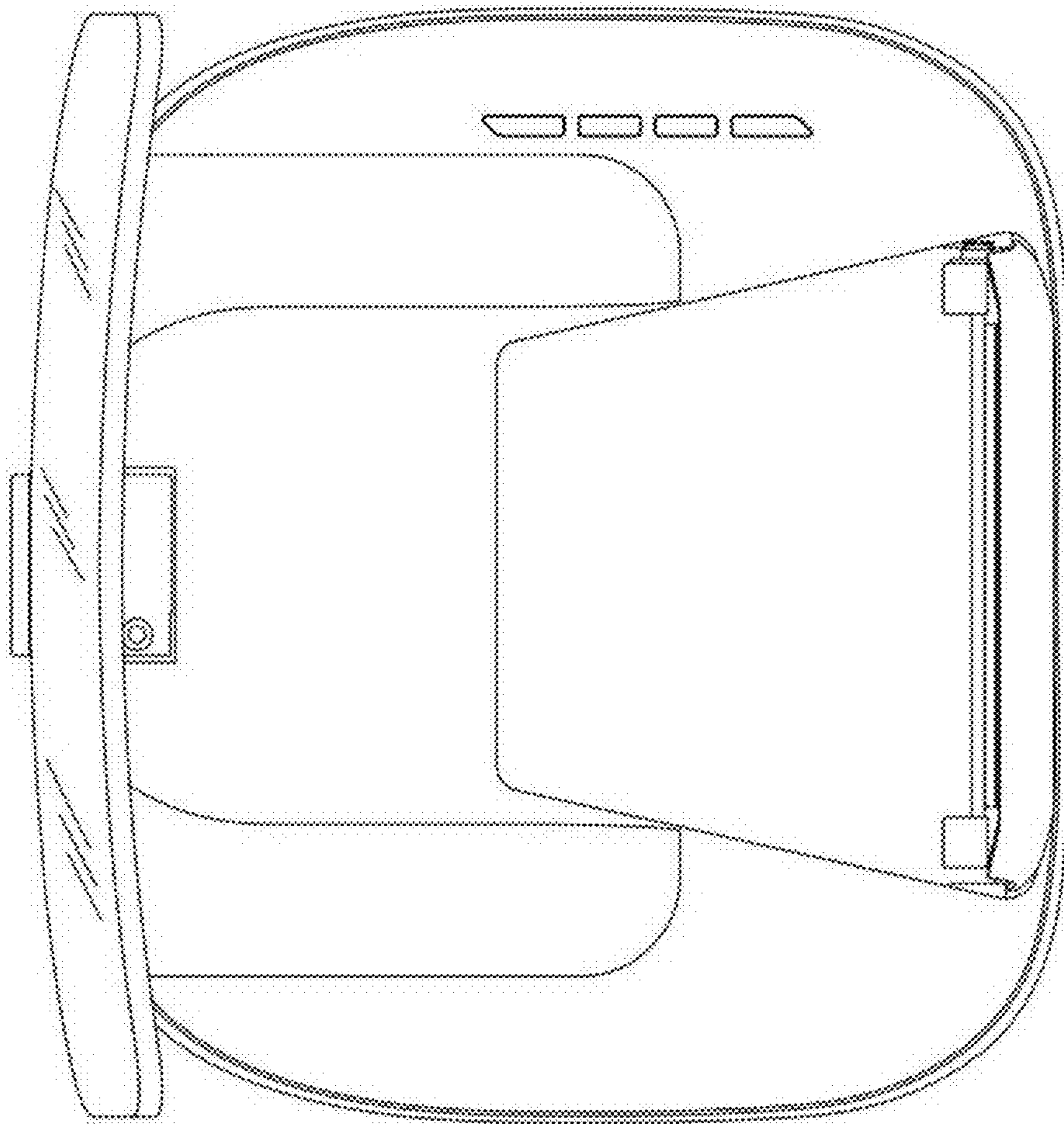


FIG.5

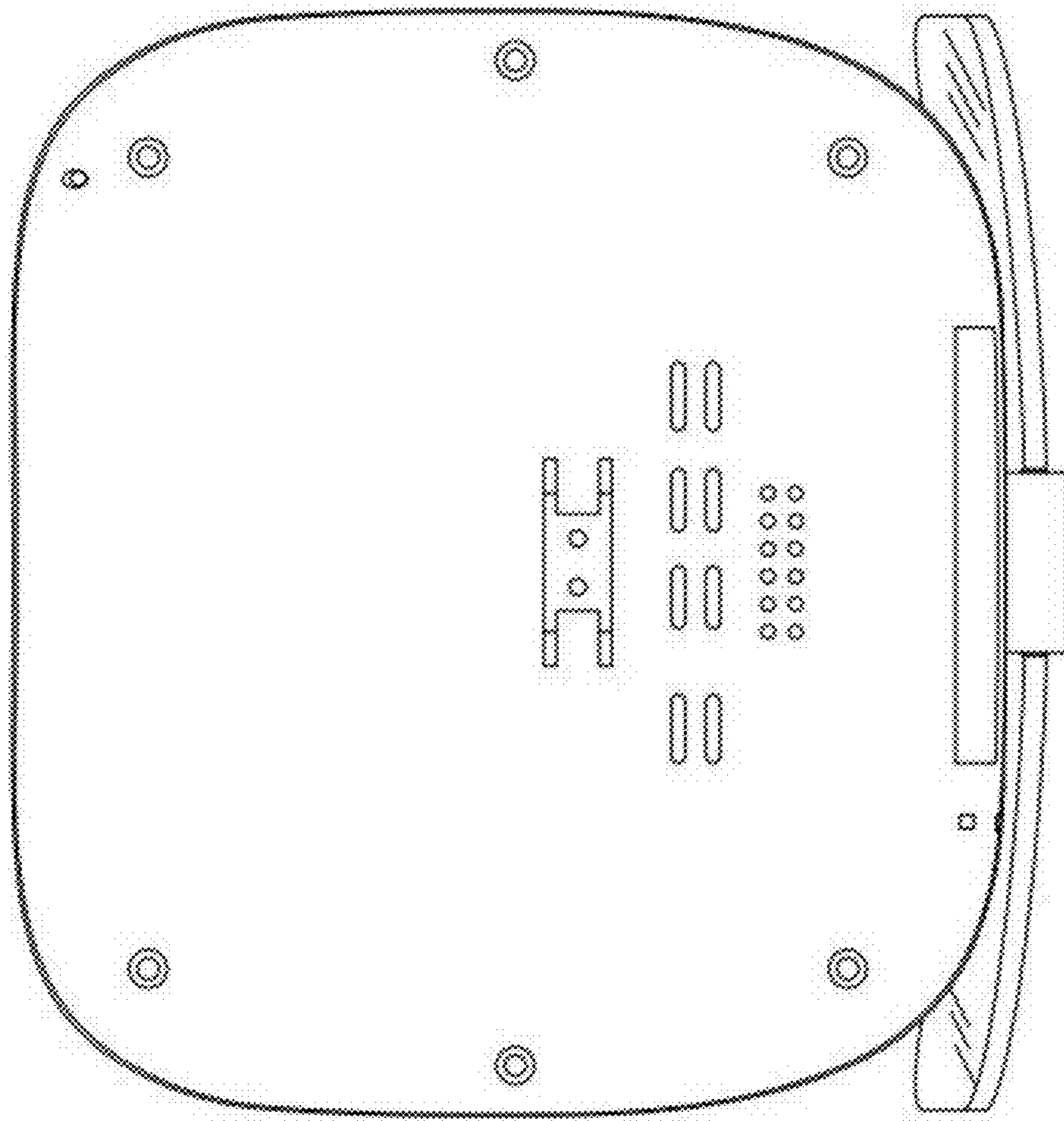


FIG. 6

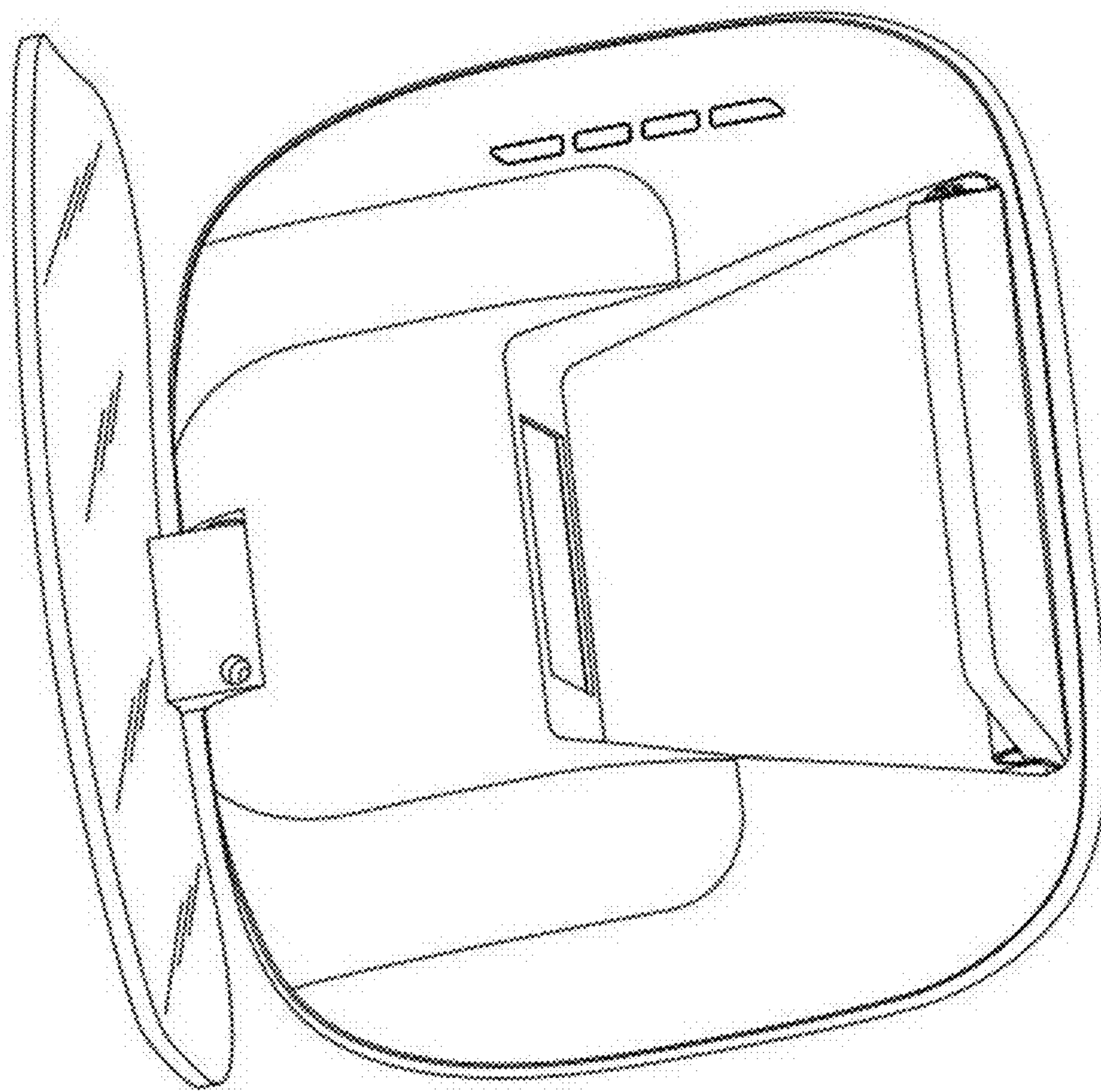


FIG. 7





FIG. 8