



US00D798782S

(12) **United States Design Patent**
Tseng

(10) **Patent No.:** **US D798,782 S**

(45) **Date of Patent:** **** Oct. 3, 2017**

- (54) **TRUCK SIDE MIRROR**
- (71) Applicant: **Wen Chi Tseng**, Tainan (TW)
- (72) Inventor: **Wen Chi Tseng**, Tainan (TW)
- (**) Term: **15 Years**
- (21) Appl. No.: **29/584,870**
- (22) Filed: **Nov. 17, 2016**
- (51) **LOC (10) Cl.** **12-16**
- (52) **U.S. Cl.**
USPC **D12/187**
- (58) **Field of Classification Search**
USPC D12/187, 188-189; D6/300, 309
CPC B60R 1/076; G02B 7/182; G02B 5/08;
G02B 7/18
See application file for complete search history.

- D782,379 S * 3/2017 Wassell D12/187
- D791,658 S * 7/2017 Ito D12/187
- D791,659 S * 7/2017 Ito D12/187

* cited by examiner

Primary Examiner — Katrina A Betton

(74) *Attorney, Agent, or Firm* — Leong C. Lei

(57) **CLAIM**

The ornamental design for a truck side mirror, as shown and described.

DESCRIPTION

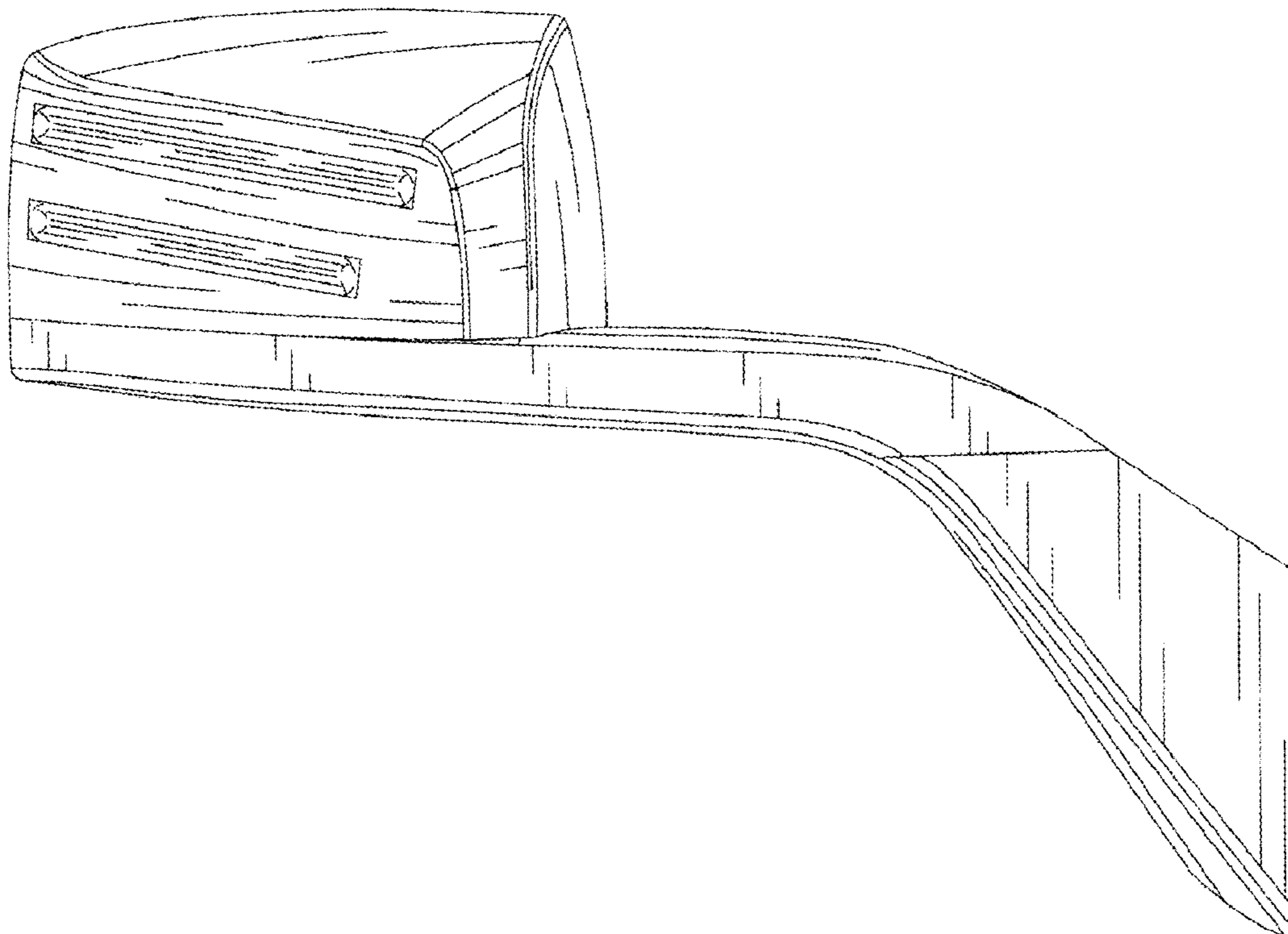
FIG. 1 is a perspective view of a truck side mirror showing my new design, with the mount bracket engaged;
 FIG. 2 is a front elevational view thereof;
 FIG. 3 is a rear elevational view thereof;
 FIG. 4 is a left side elevational view thereof;
 FIG. 5 is a right side elevational view thereof;
 FIG. 6 is a top plan view thereof;
 FIG. 7 is a bottom plan view thereof; and,
 FIG. 8 is another perspective view thereof, showing the status while in use.
 The portions shown in broken lines form no part of the claimed design.

(56) **References Cited**

U.S. PATENT DOCUMENTS

- D723,439 S * 3/2015 Milbank D12/187
- D724,507 S * 3/2015 Shibuta D12/187
- D731,374 S * 6/2015 Roberts D12/187
- D731,377 S * 6/2015 Roberts D12/187
- D731,378 S * 6/2015 Roberts D12/187
- D746,196 S * 12/2015 Di Buduo D12/187
- D751,477 S * 3/2016 Ting D12/187
- D763,755 S * 8/2016 Su D12/187
- D776,588 S * 1/2017 Chen D12/187

1 Claim, 5 Drawing Sheets



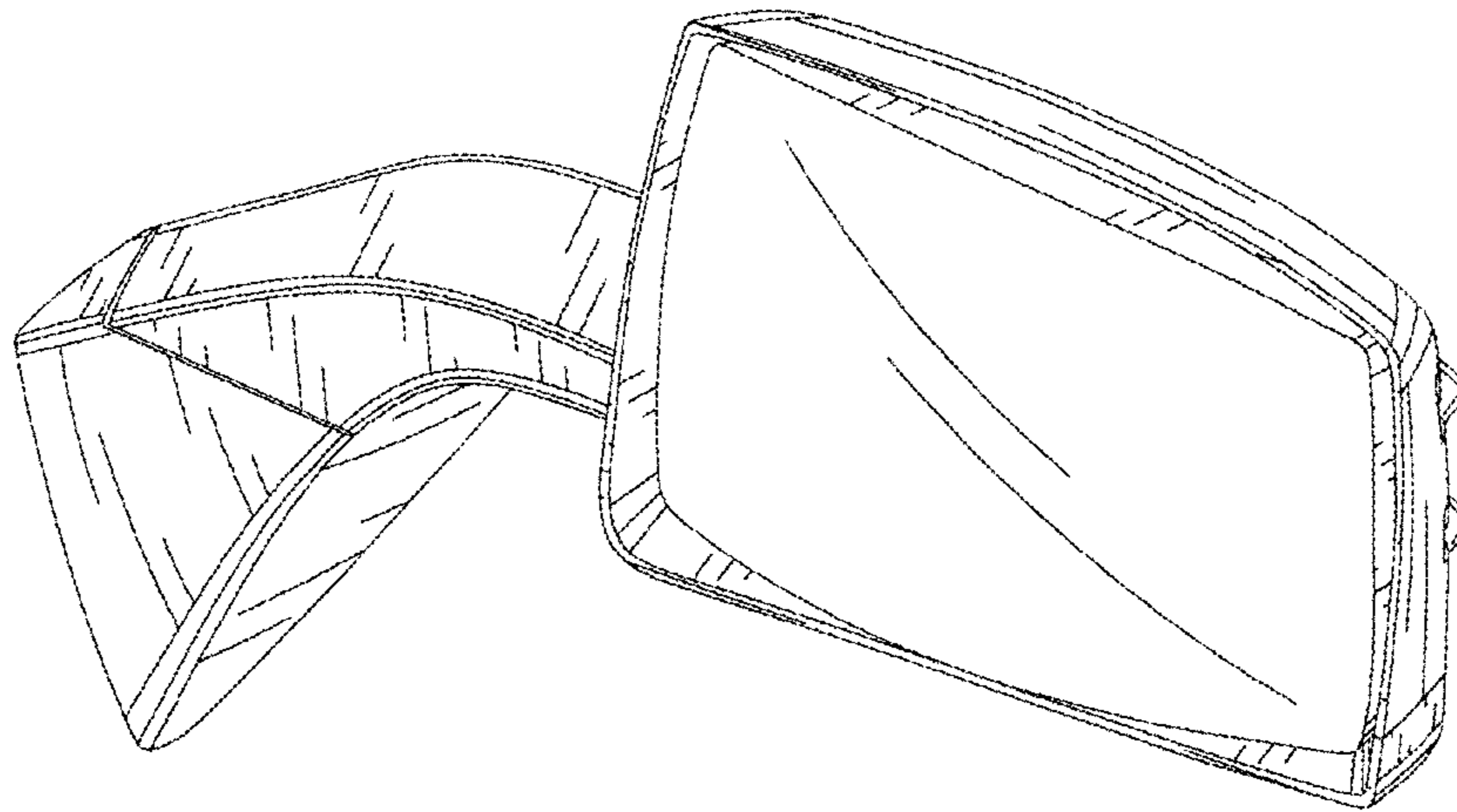


FIG. 1

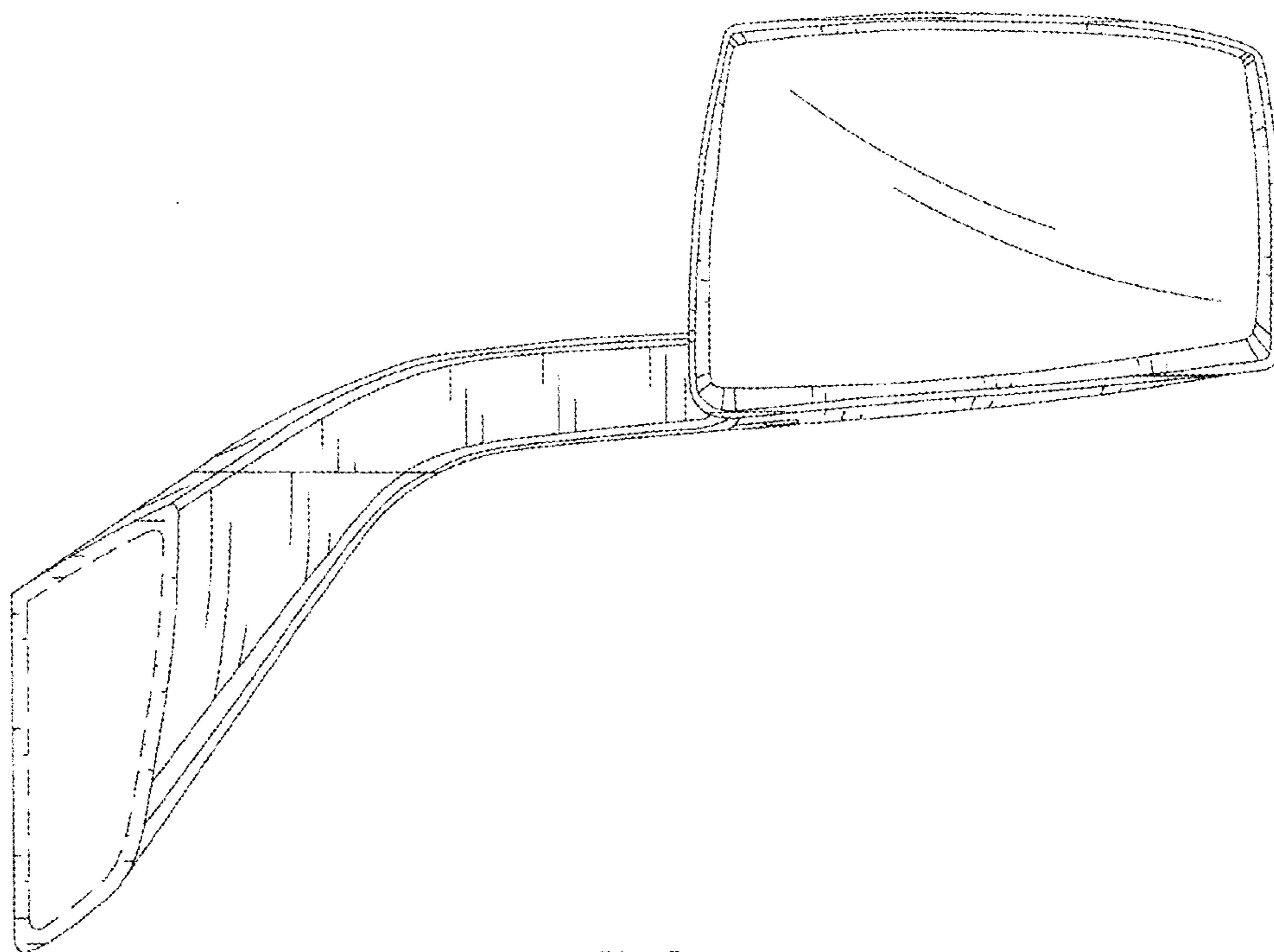


FIG. 2

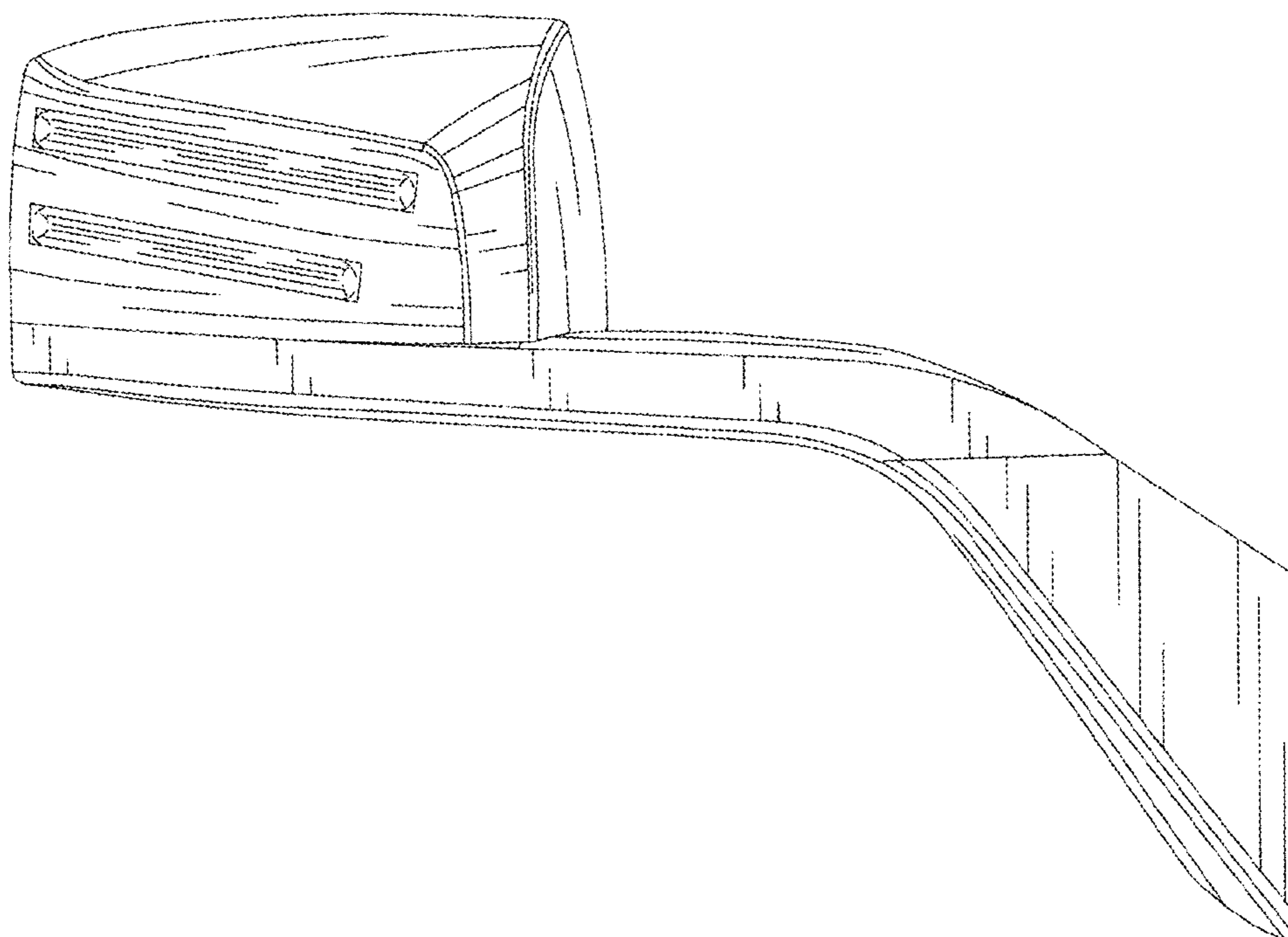


FIG. 3

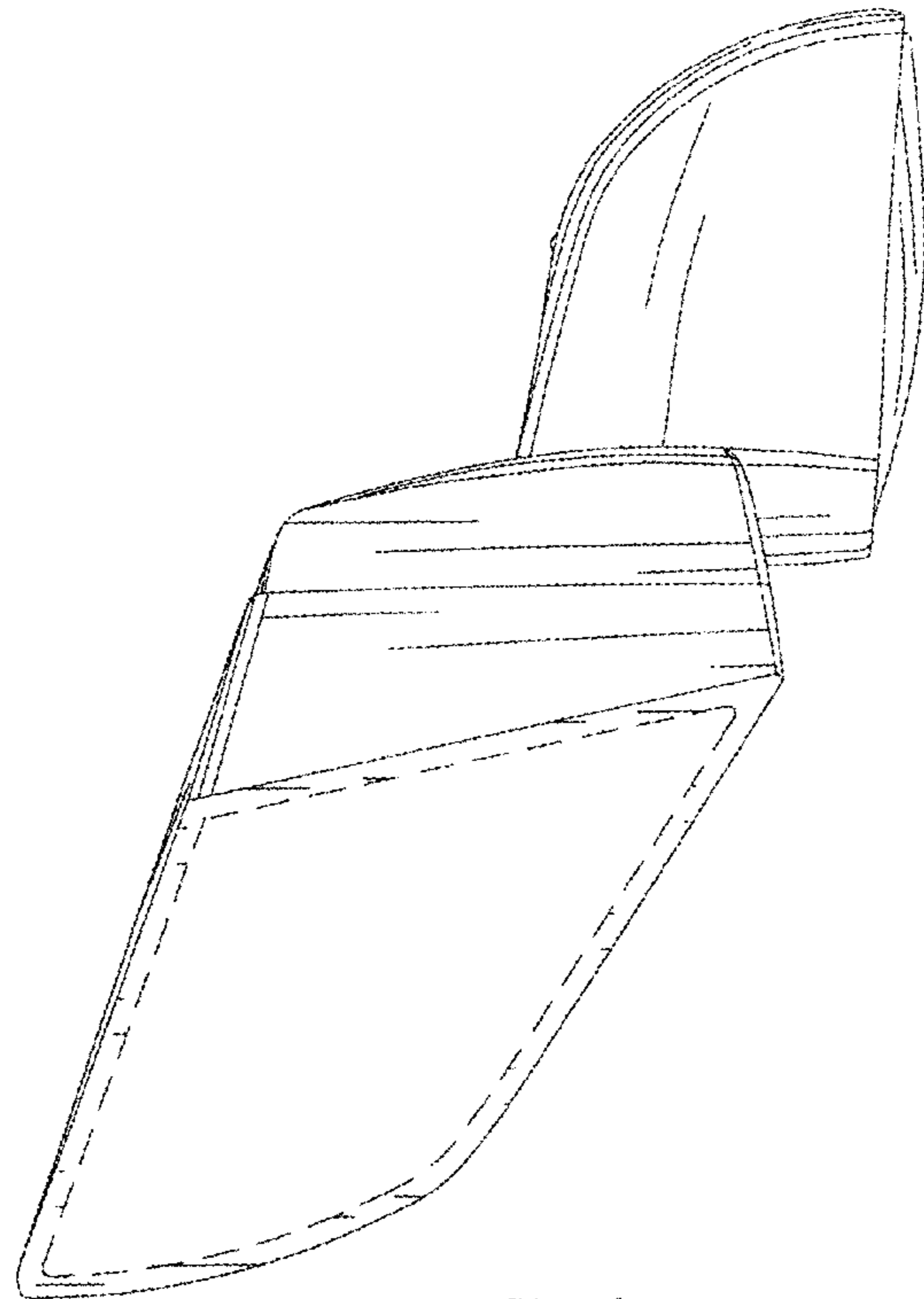


FIG. 4

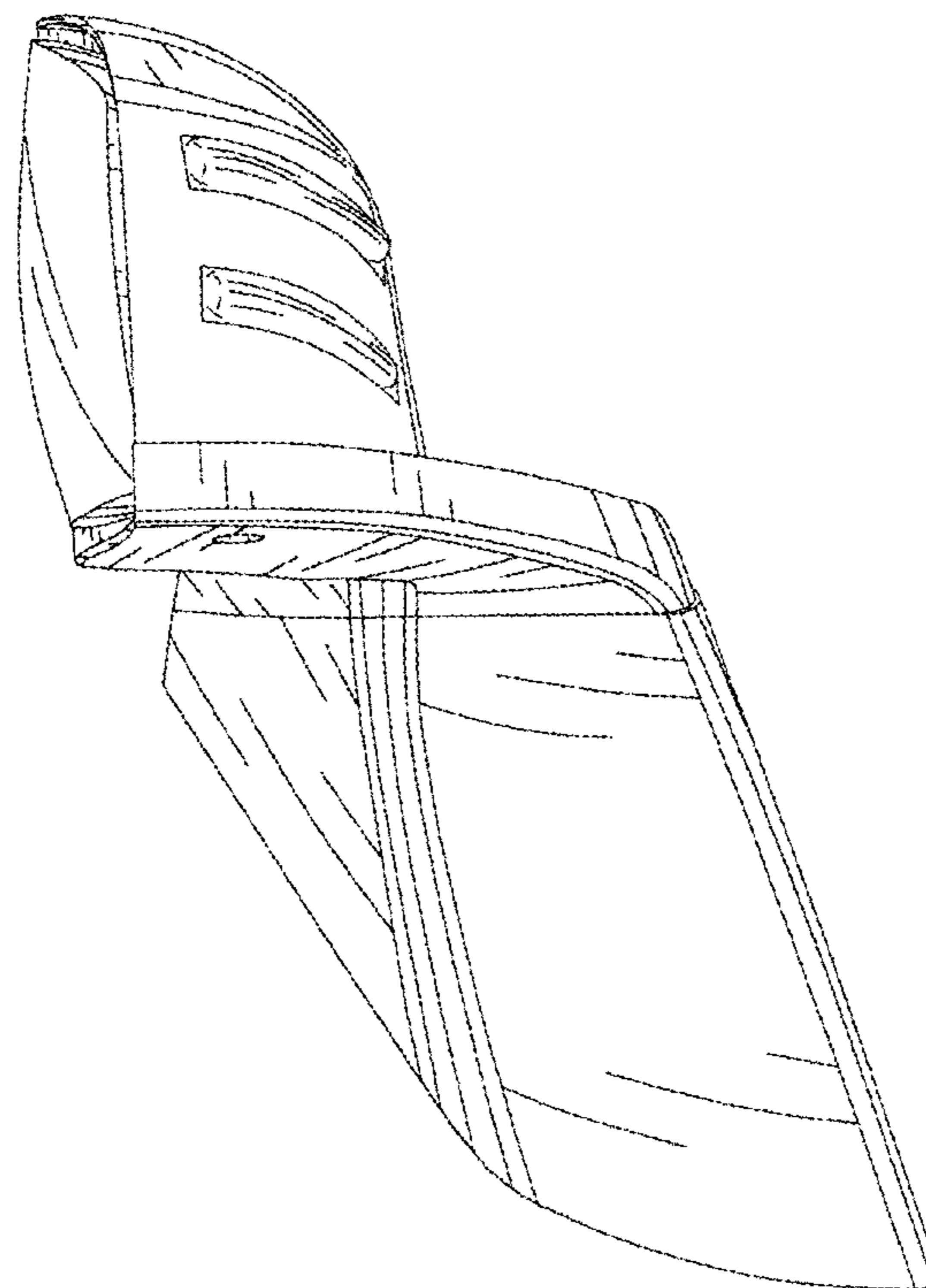


FIG. 5

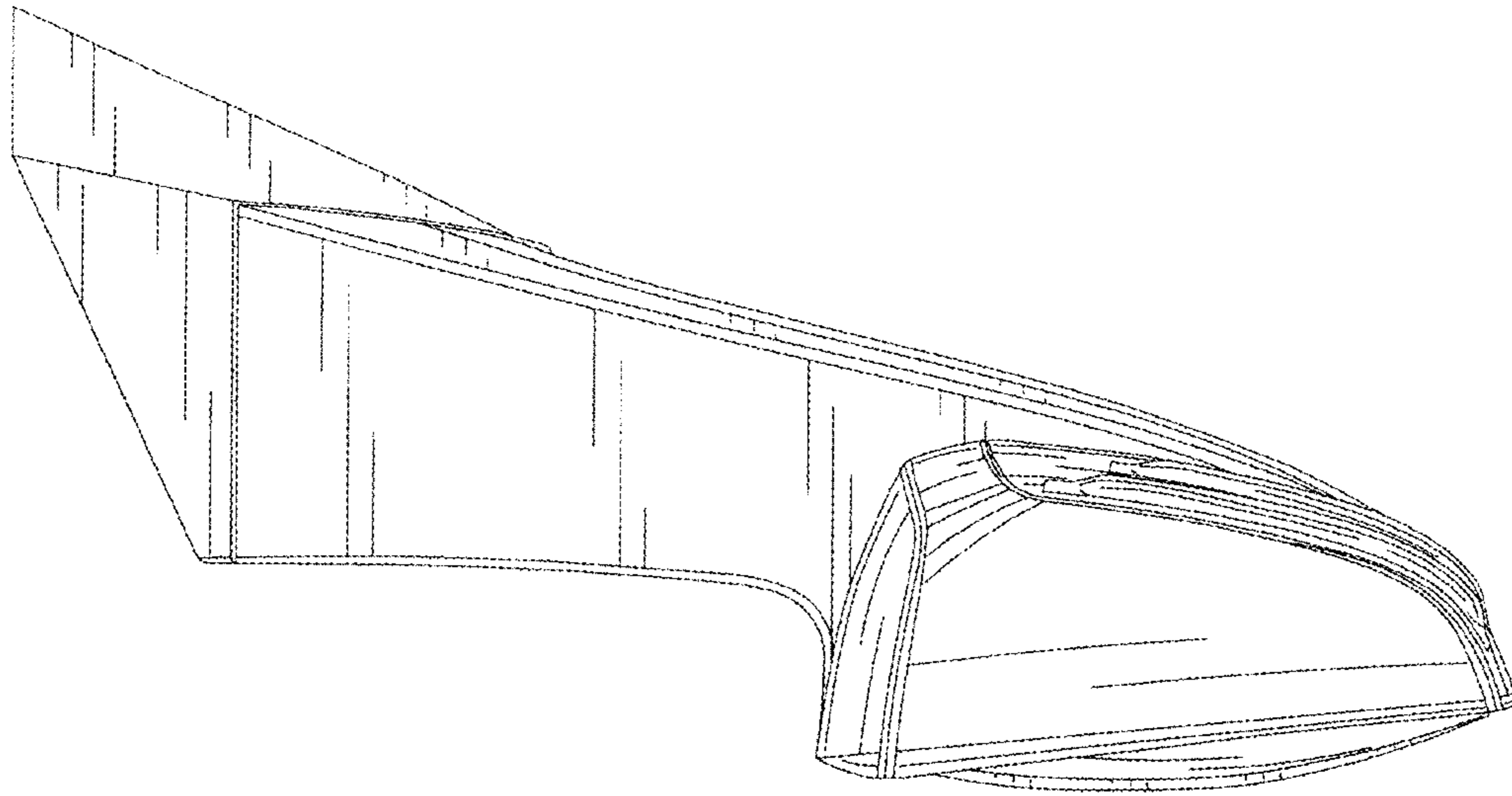


FIG. 6

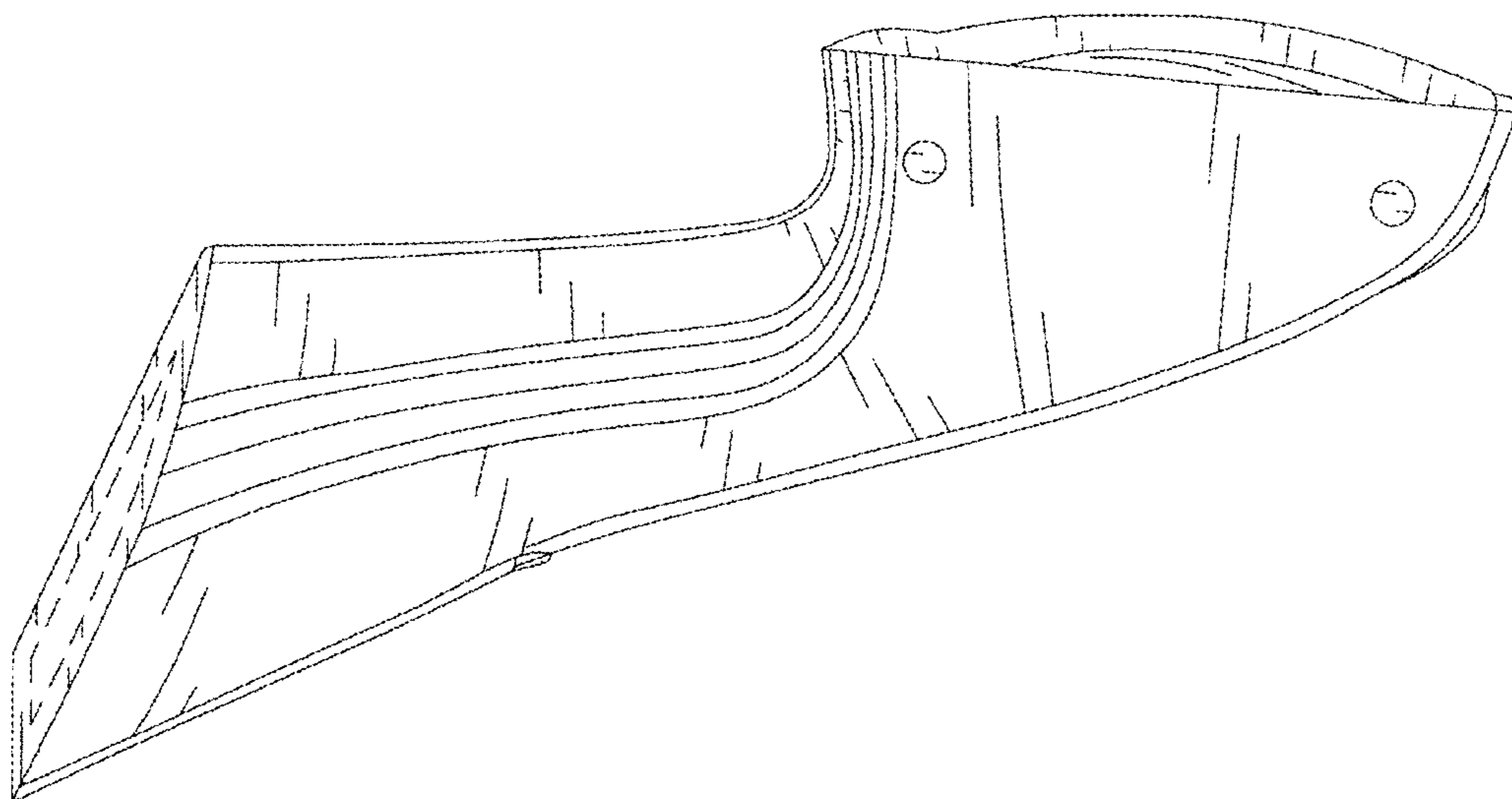


FIG. 7

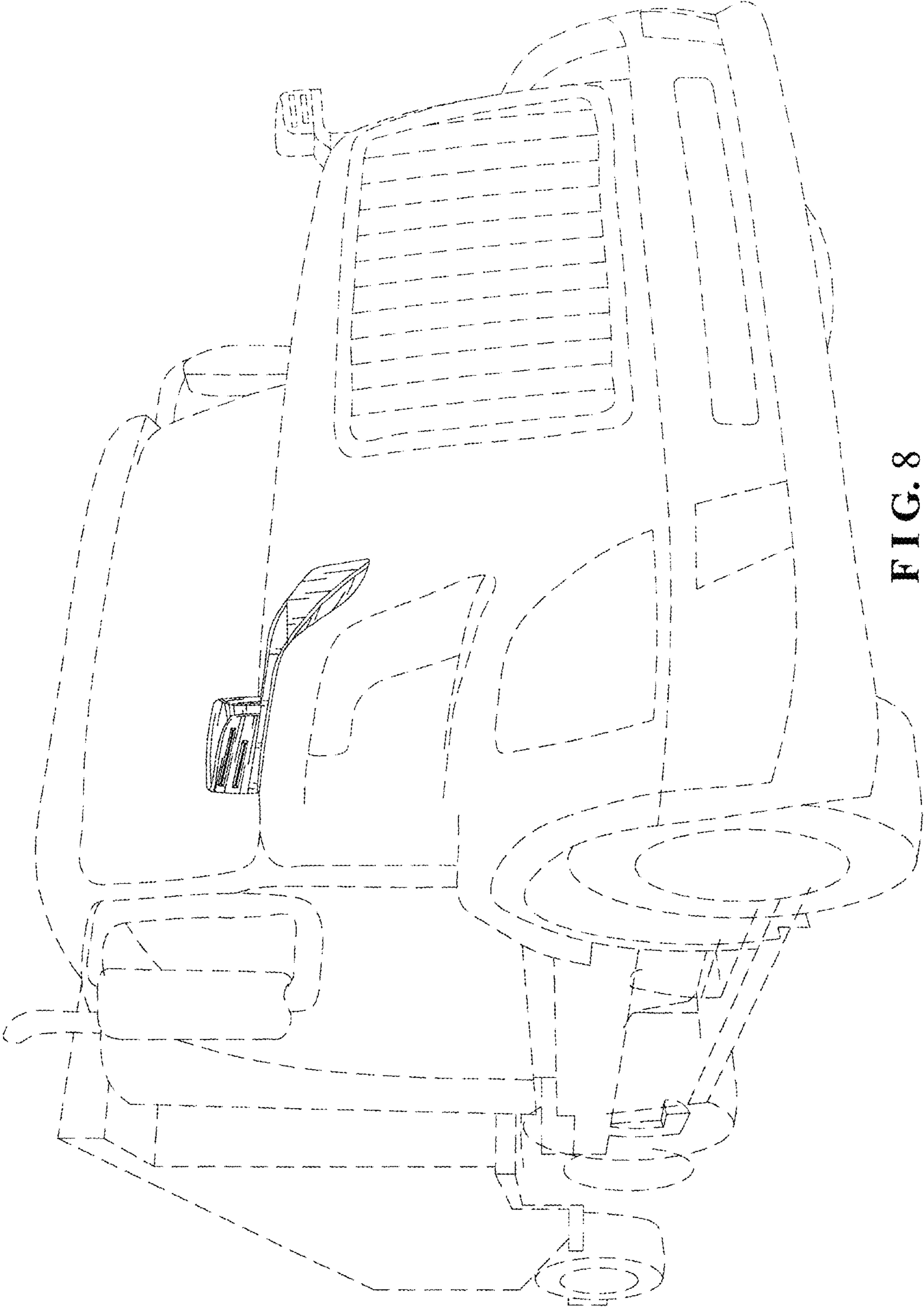


FIG. 8