



US00D798778S

(12) **United States Design Patent** (10) **Patent No.:** **US D798,778 S**
Lin (45) **Date of Patent:** **** Oct. 3, 2017**

(54) **WHEELED WALKER**

(71) Applicant: **Charming World Inc.**, Taipei (TW)

(72) Inventor: **Ching-Hsueh Lin**, Taipei (TW)

(73) Assignee: **CHARMING WORLD INC.**, Taipei (TW)

(**) Term: **15 Years**

(21) Appl. No.: **29/588,624**

(22) Filed: **Dec. 21, 2016**

(51) **LOC (10) Cl.** **12-12**

(52) **U.S. Cl.**
 USPC **D12/130**

(58) **Field of Classification Search**
 USPC D12/128-133
 CPC A61H 3/00; A61H 3/04; A61H
 2003/001-2003/007; A61H 2003/043;
 A61H 2003/046
 See application file for complete search history.

(56) **References Cited**

U.S. PATENT DOCUMENTS

9,226,868 B2 * 1/2016 Andersen A61H 3/04
 D766,139 S * 9/2016 Chen D12/130
 2007/0235067 A1 * 10/2007 Gale A61H 3/04
 135/67

2007/0283990 A1 * 12/2007 Fernandez A61G 5/08
 135/67
 2008/0202571 A1 * 8/2008 Meyers A61H 3/04
 135/66
 2008/0252043 A1 * 10/2008 Willis A61H 3/04
 280/639
 2012/0205882 A1 * 8/2012 Staggs A61G 5/1002
 280/30
 2013/0292916 A1 * 11/2013 Nabeta A61H 3/04
 280/47.371
 2014/0084559 A1 * 3/2014 Fang A61H 3/04
 280/47.38

* cited by examiner

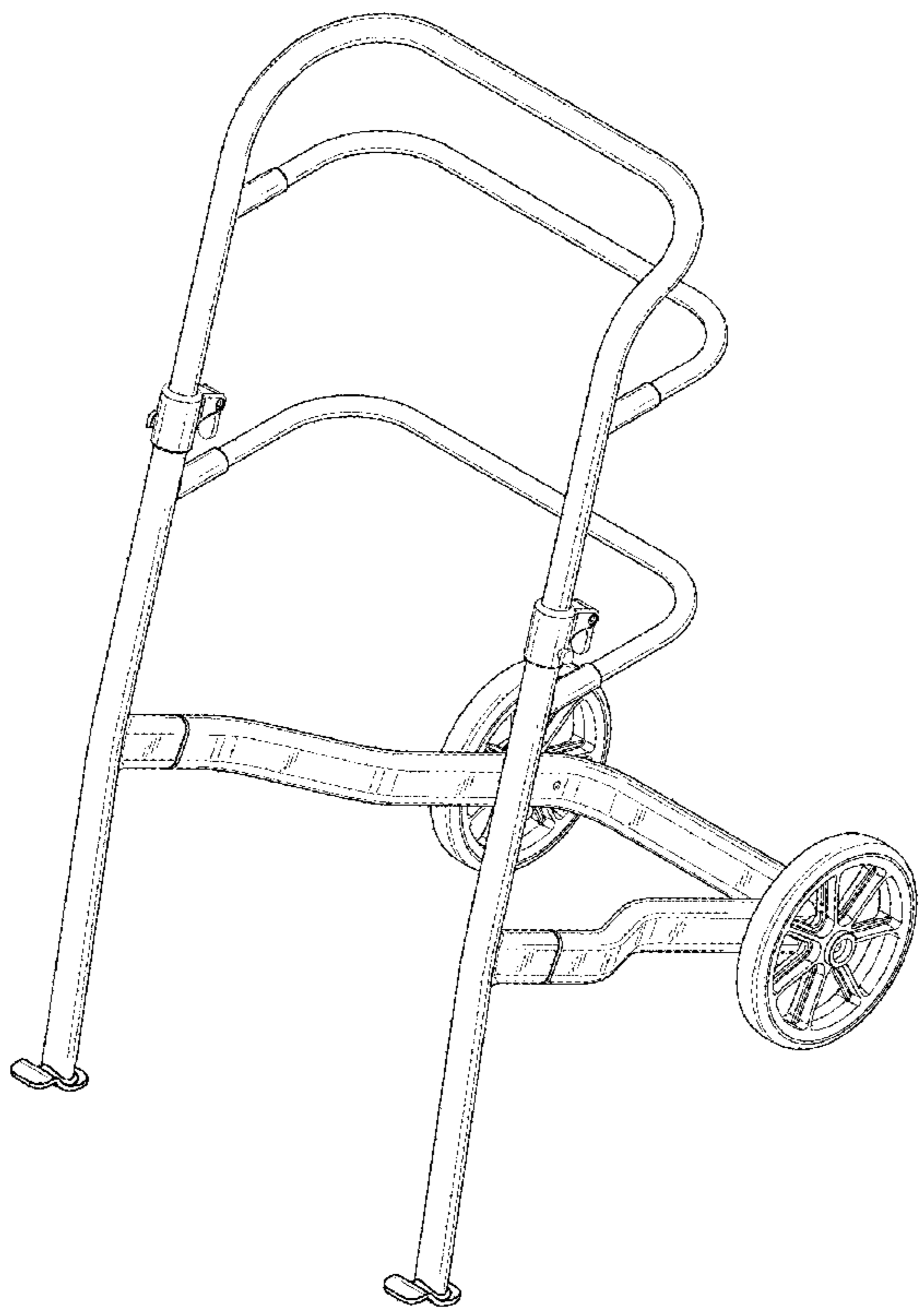
Primary Examiner — Charles Hanson
 (74) *Attorney, Agent, or Firm* — DLA Piper LLP (US)

(57) **CLAIM**
 The ornamental design for a wheeled walker, as shown and described.

DESCRIPTION

FIG. 1 is a perspective view of a wheeled walker showing my new design;
 FIG. 2 is a front elevational view thereof;
 FIG. 3 is a rear elevational view thereof;
 FIG. 4 is a left side elevational view thereof;
 FIG. 5 is a right side elevational view thereof;
 FIG. 6 is a top plan view thereof; and,
 FIG. 7 is a bottom plan view thereof.

1 Claim, 7 Drawing Sheets



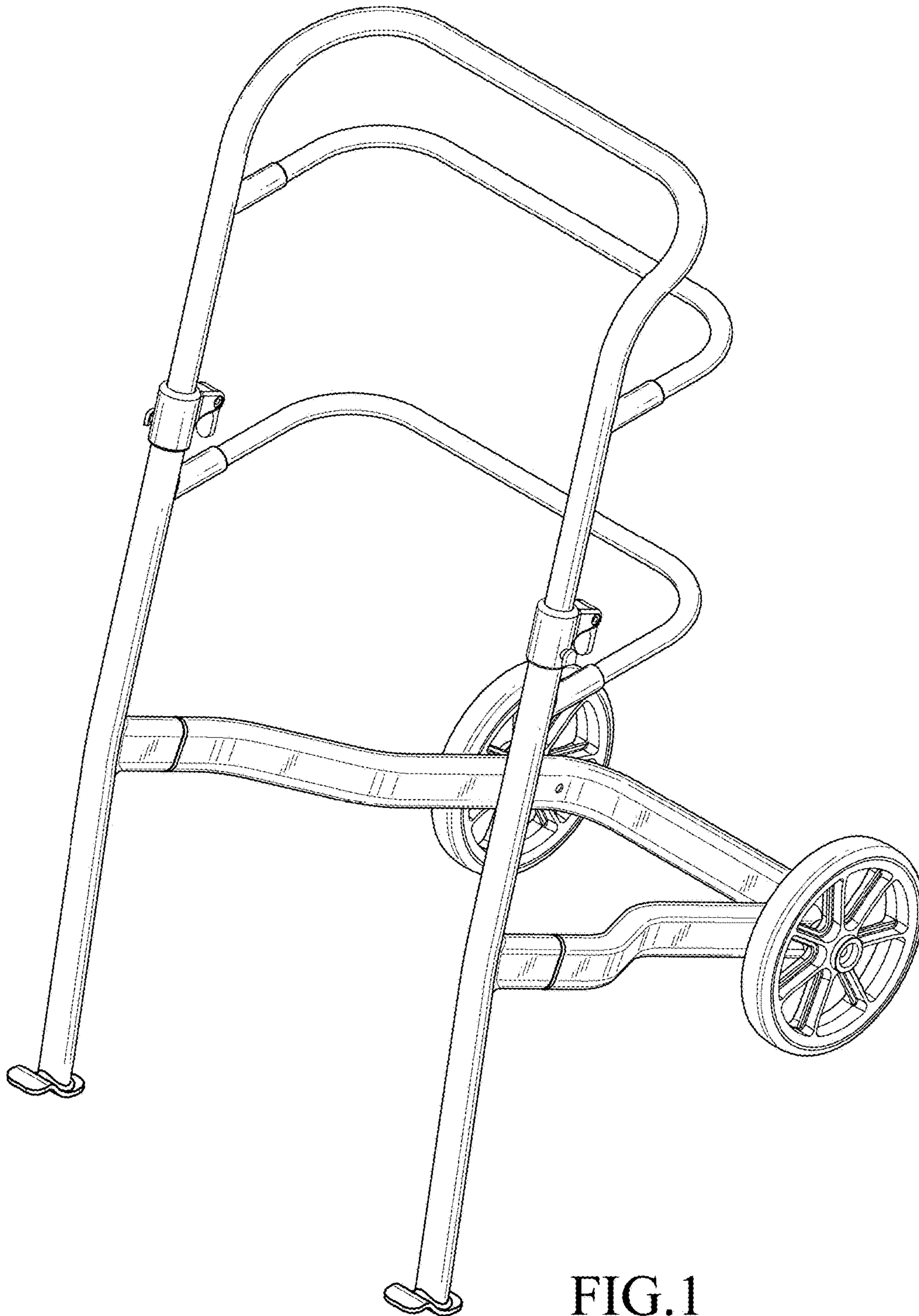


FIG. 1

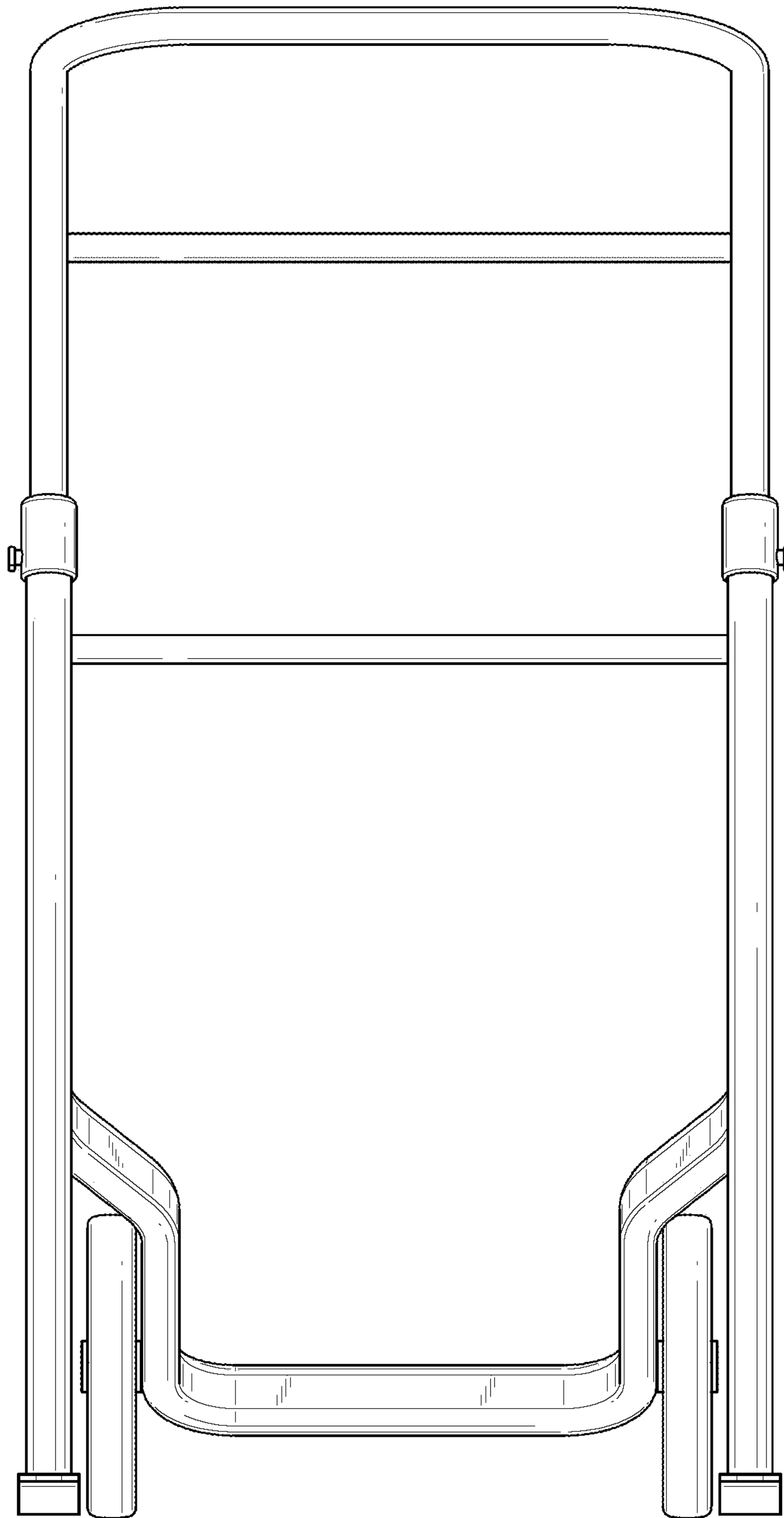


FIG.2

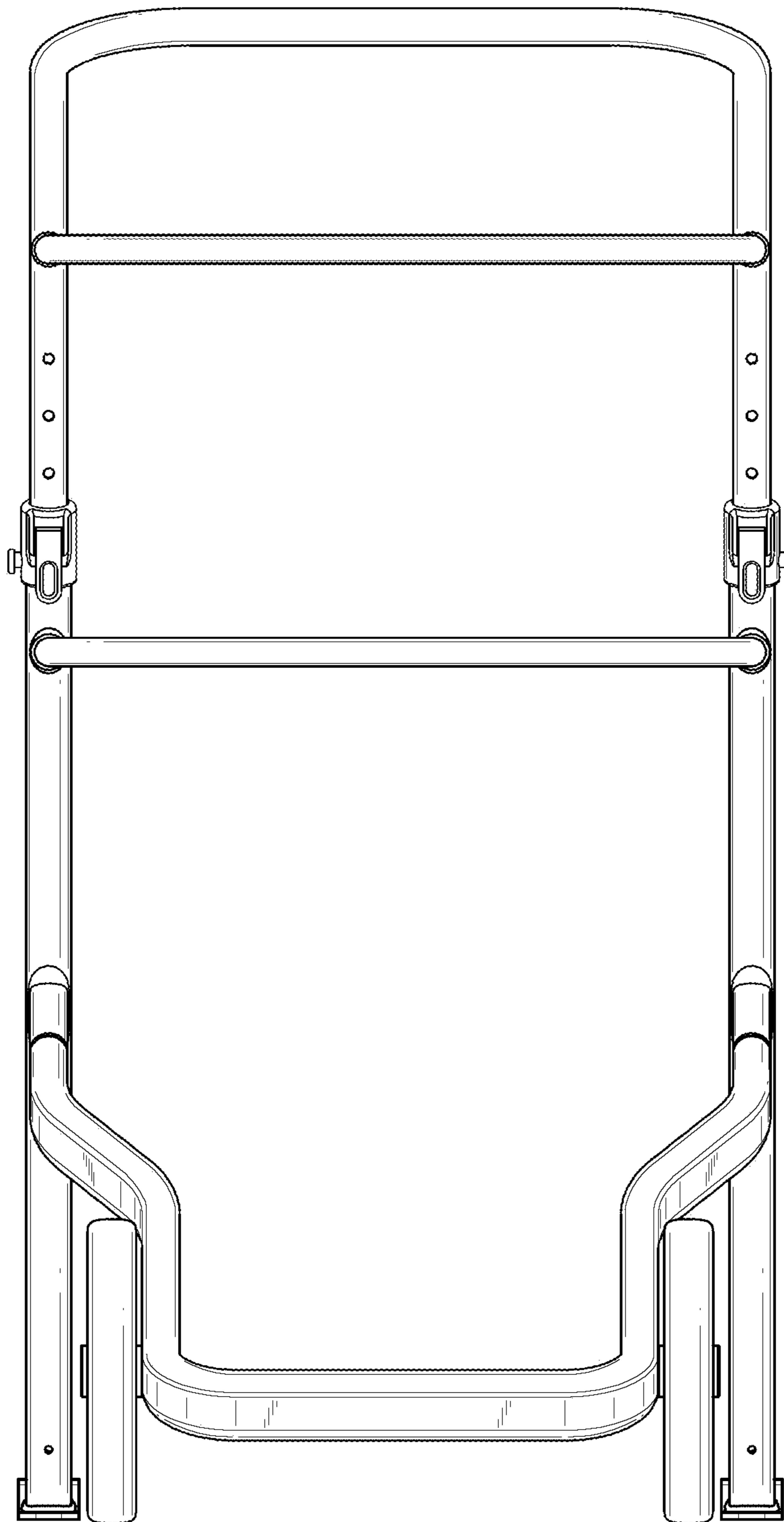


FIG.3

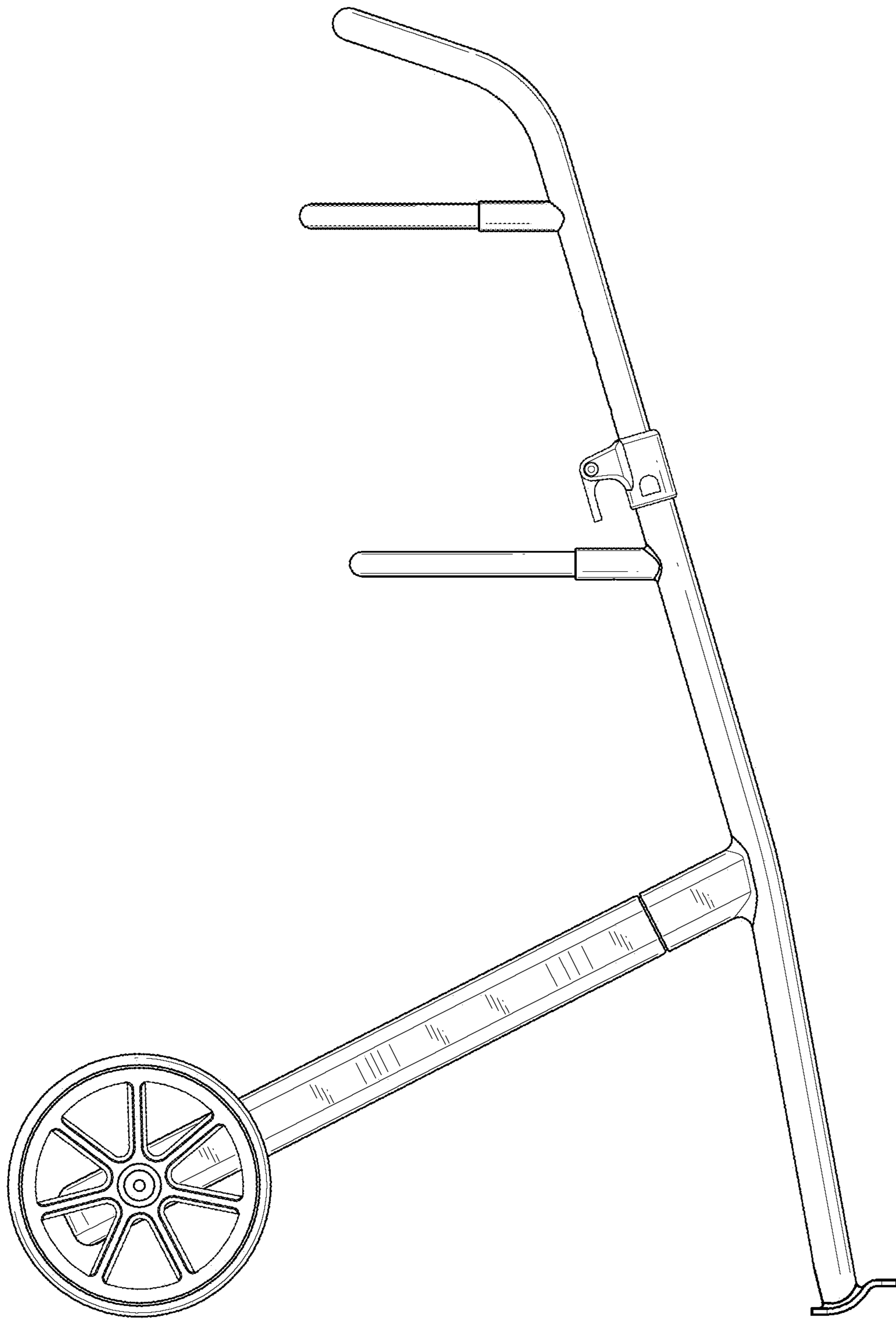


FIG.4

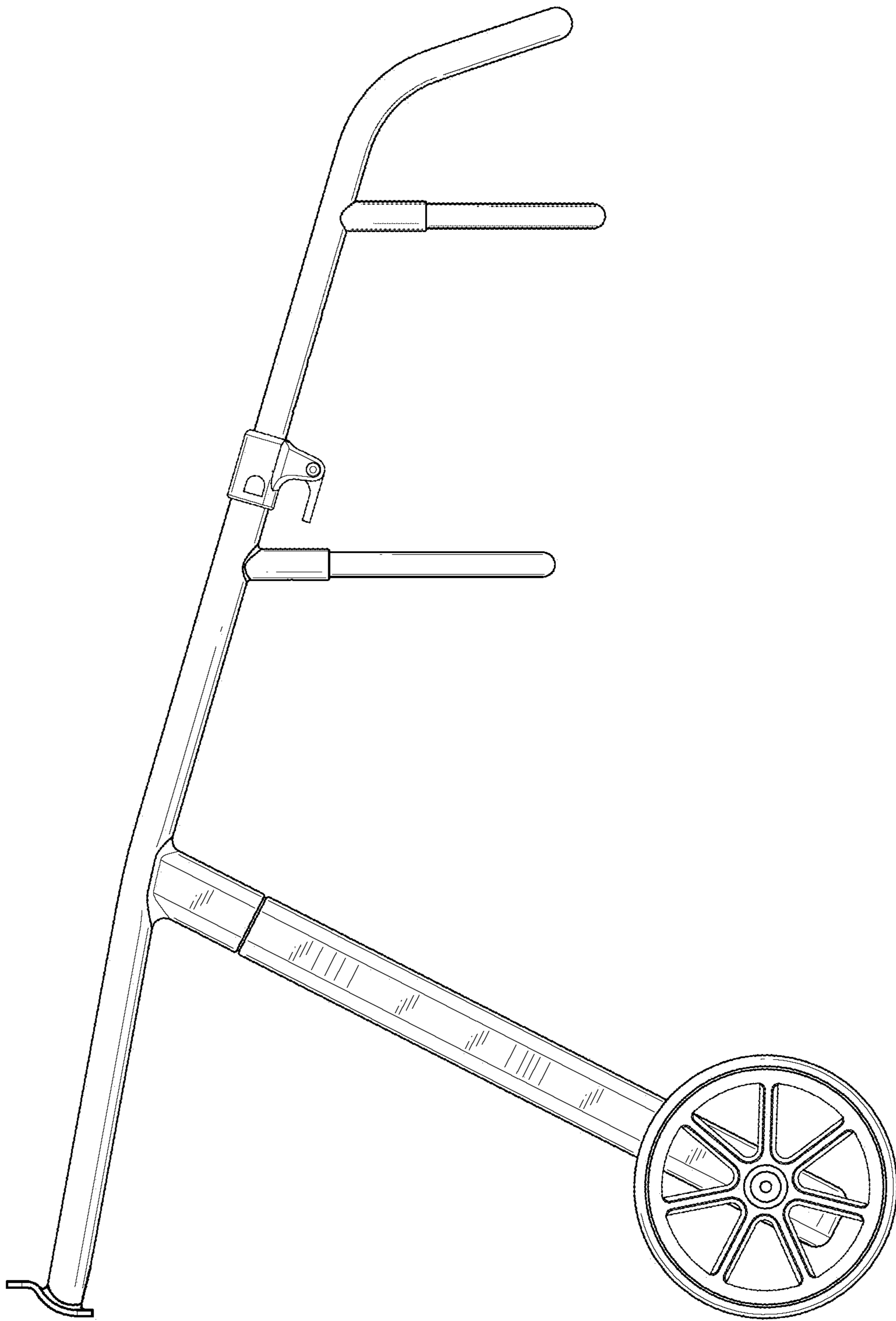


FIG.5

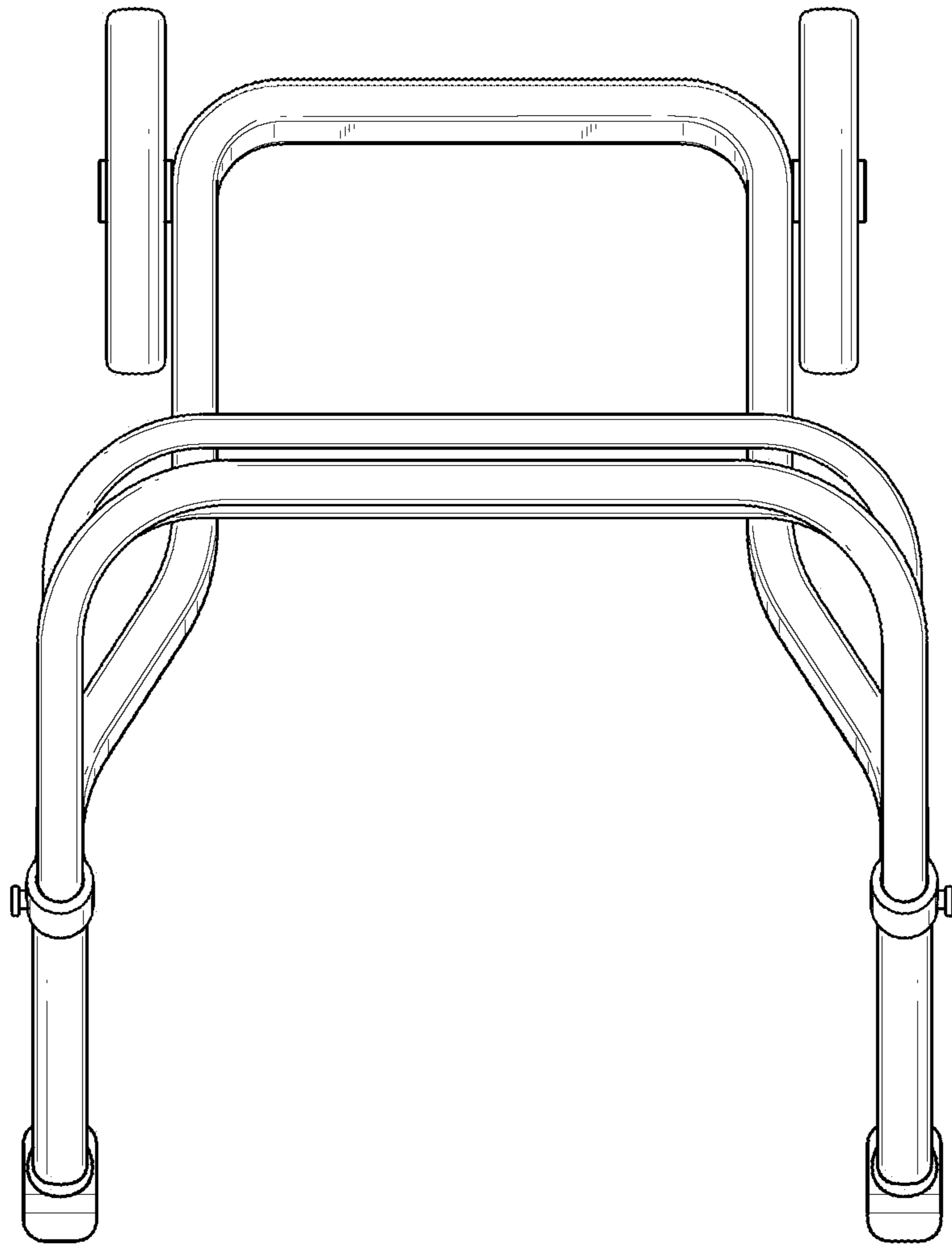


FIG.6

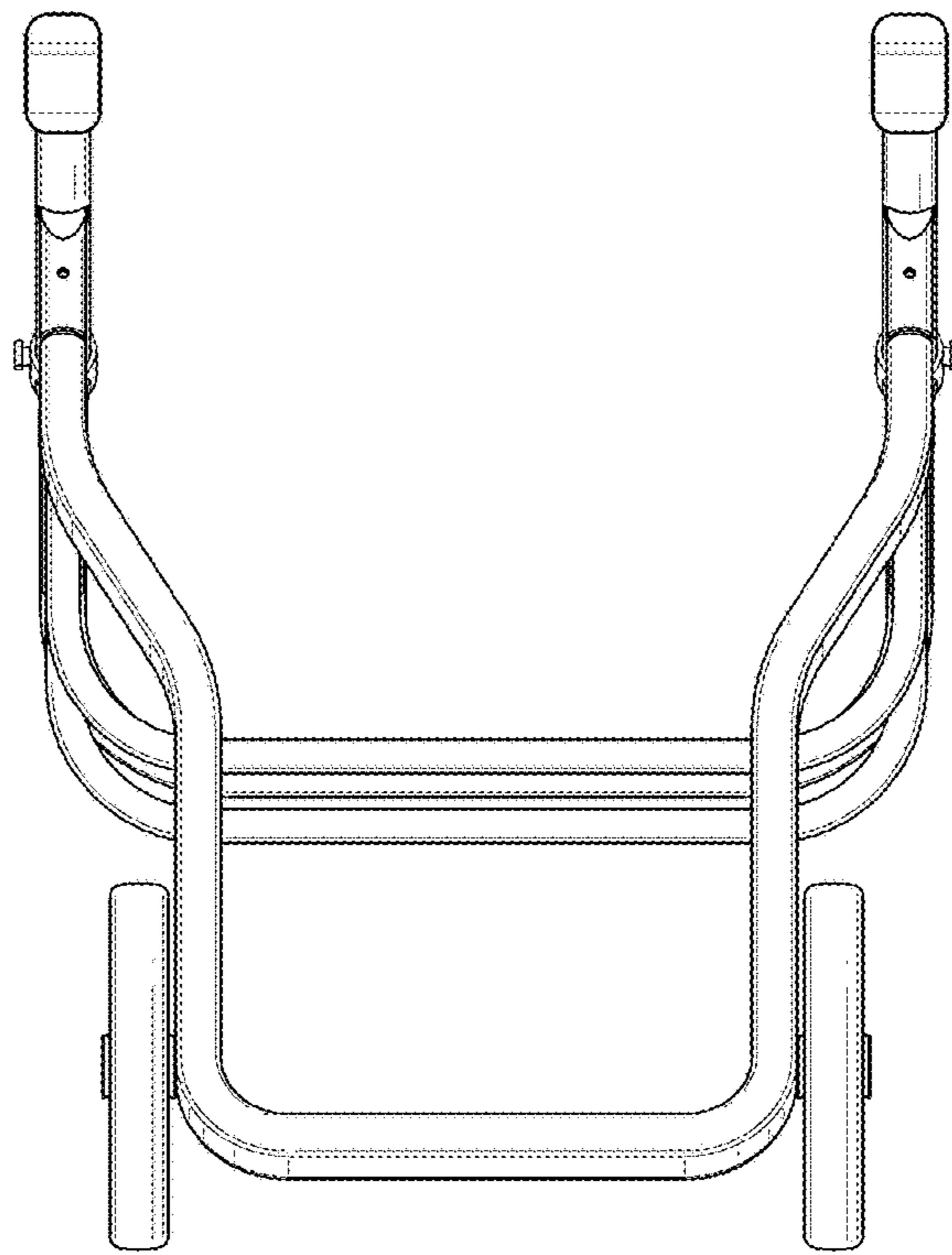


FIG. 7