



US00D798776S

(12) **United States Design Patent**
Gardner et al.

(10) **Patent No.:** **US D798,776 S**

(45) **Date of Patent:** **** Oct. 3, 2017**

(54) **BICYCLE PEDAL PLATFORM ADAPTER**

(71) Applicant: **Fly Pedals LLC**, Denver, CO (US)

(72) Inventors: **Bryan Gardner**, Denver, CO (US);
Daniel Lucchesi, Denver, CO (US)

(73) Assignee: **Fly Pedals LLC**, Denver, CO (US)

(**) Term: **15 Years**

(21) Appl. No.: **29/536,758**

(22) Filed: **Aug. 19, 2015**

(51) **LOC (10) Cl.** **12-11**

(52) **U.S. Cl.**
USPC **D12/125**

(58) **Field of Classification Search**
USPC D12/111, 125; 280/291; 296/75;
74/560, 594.1, 594.4
CPC . B62M 3/00; B62M 3/08; B60N 3/063; B62J
25/00
See application file for complete search history.

(56) **References Cited**

U.S. PATENT DOCUMENTS

D282,652 S *	2/1986	Nista	D12/125
D302,260 S *	7/1989	Schieferstein	D12/125
D333,113 S *	2/1993	Nestrud	D12/125
5,381,708 A *	1/1995	Liao	B62M 3/086 36/131
5,806,379 A *	9/1998	Nagano	B62M 3/086 36/131
D401,535 S *	11/1998	Joseph, Jr.	D12/114
6,089,122 A *	7/2000	Nagano	B62M 3/086 36/131

6,453,770 B1 *	9/2002	Ching	B62M 3/08 482/57
6,647,826 B2 *	11/2003	Okajima	B62M 3/08 74/563
7,013,754 B2	3/2006	Milanowski	
8,850,926 B2 *	10/2014	Bruggemann	B62J 25/00 74/564
9,003,921 B2 *	4/2015	Weagle	B62M 3/08 74/594.4
D755,684 S *	5/2016	Lucchesi	D12/125
2003/0029270 A1 *	2/2003	Milanowski	B62M 3/08 74/594.4
2003/0029271 A1 *	2/2003	Shuman	B62M 3/086 74/594.6
2007/0289404 A1 *	12/2007	Smith	B62J 25/00 74/564

* cited by examiner

Primary Examiner — Darlington Ly
(74) *Attorney, Agent, or Firm* — MacMillan, Sobanski & Todd, LLC

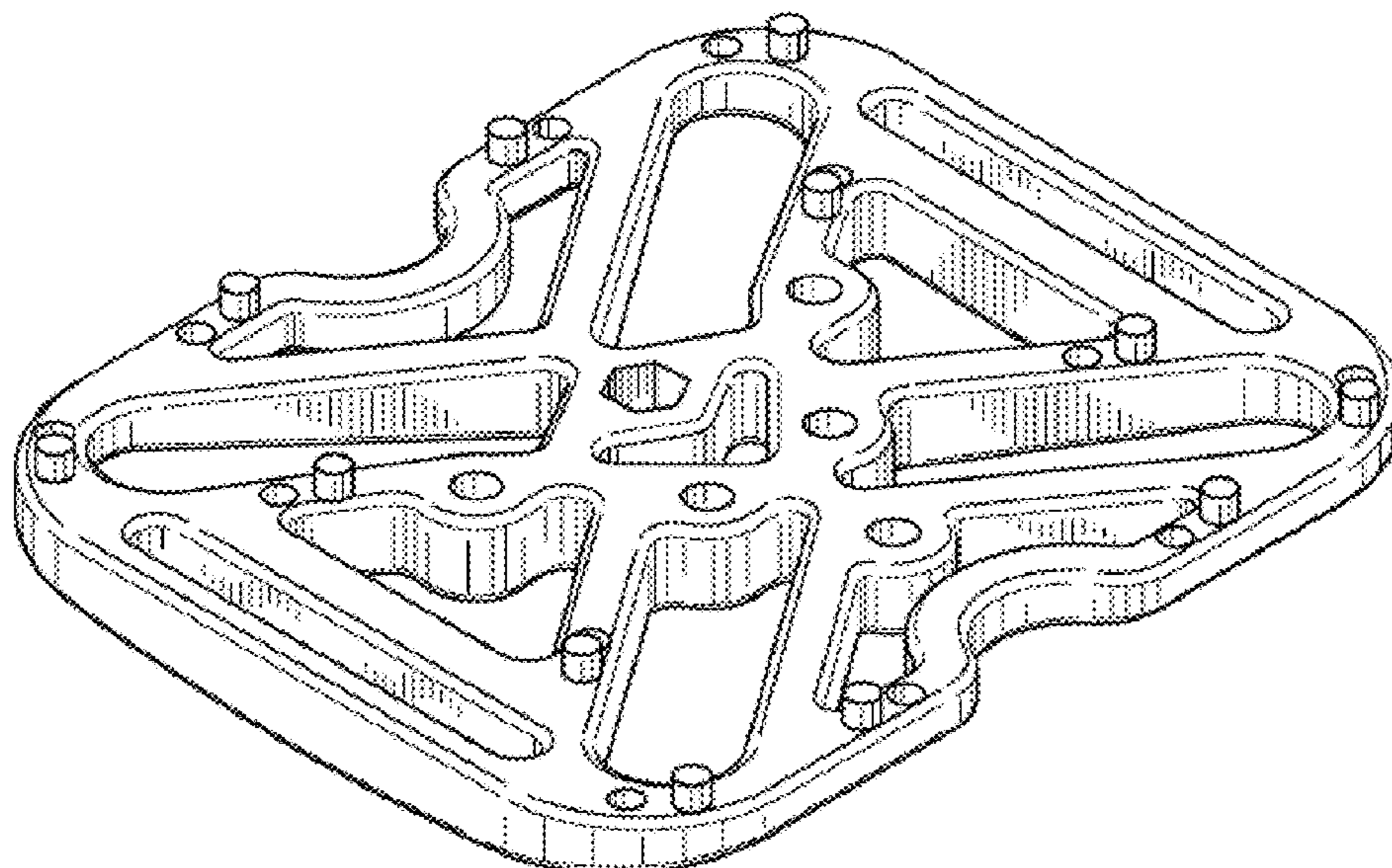
(57) **CLAIM**

The ornamental design for a bicycle pedal platform adapter, as shown.

DESCRIPTION

FIG. 1 is a top plan view of a bicycle pedal platform adapter showing our new design;
FIG. 2 is a front elevation view thereof;
FIG. 3 is a right side elevation view thereof;
FIG. 4 is a rear elevation view thereof;
FIG. 5 is a left side elevation view thereof;
FIG. 6 is a bottom plan view thereof; and,
FIG. 7 is a top perspective view thereof.

1 Claim, 5 Drawing Sheets



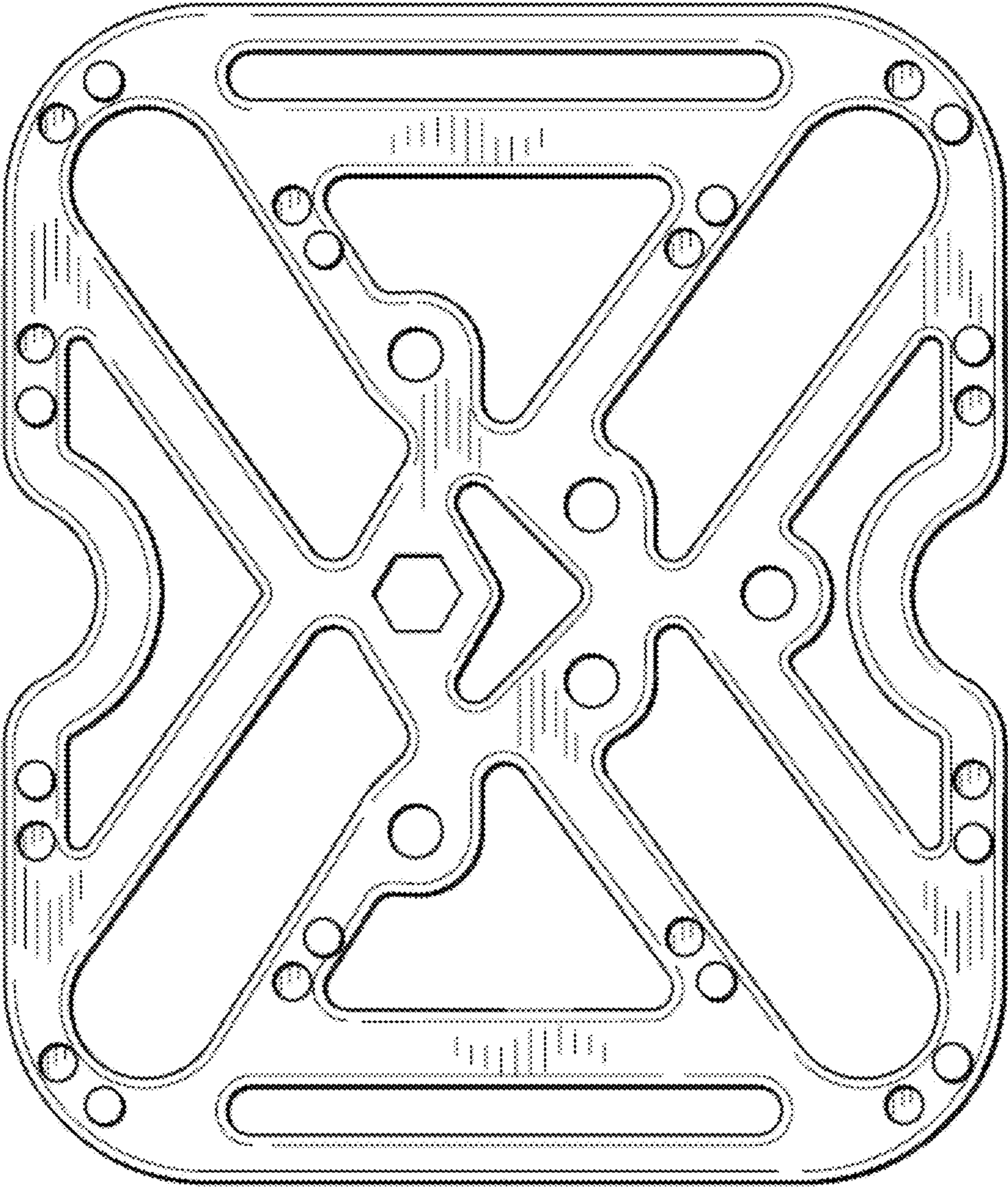


FIG. 1

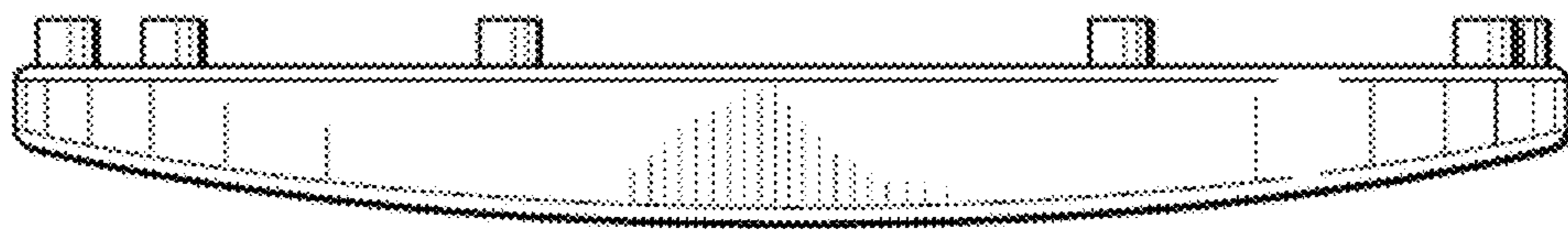


FIG. 2

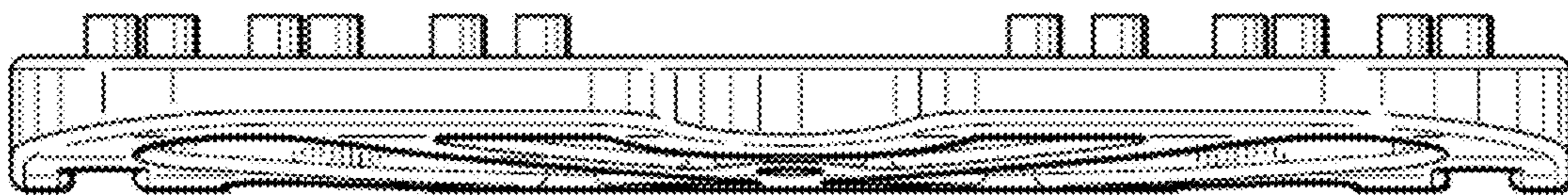


FIG. 3

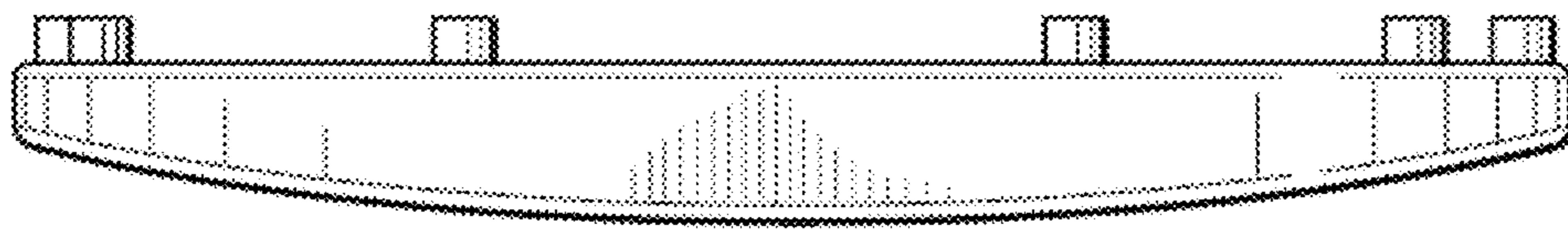


FIG. 4



FIG. 5

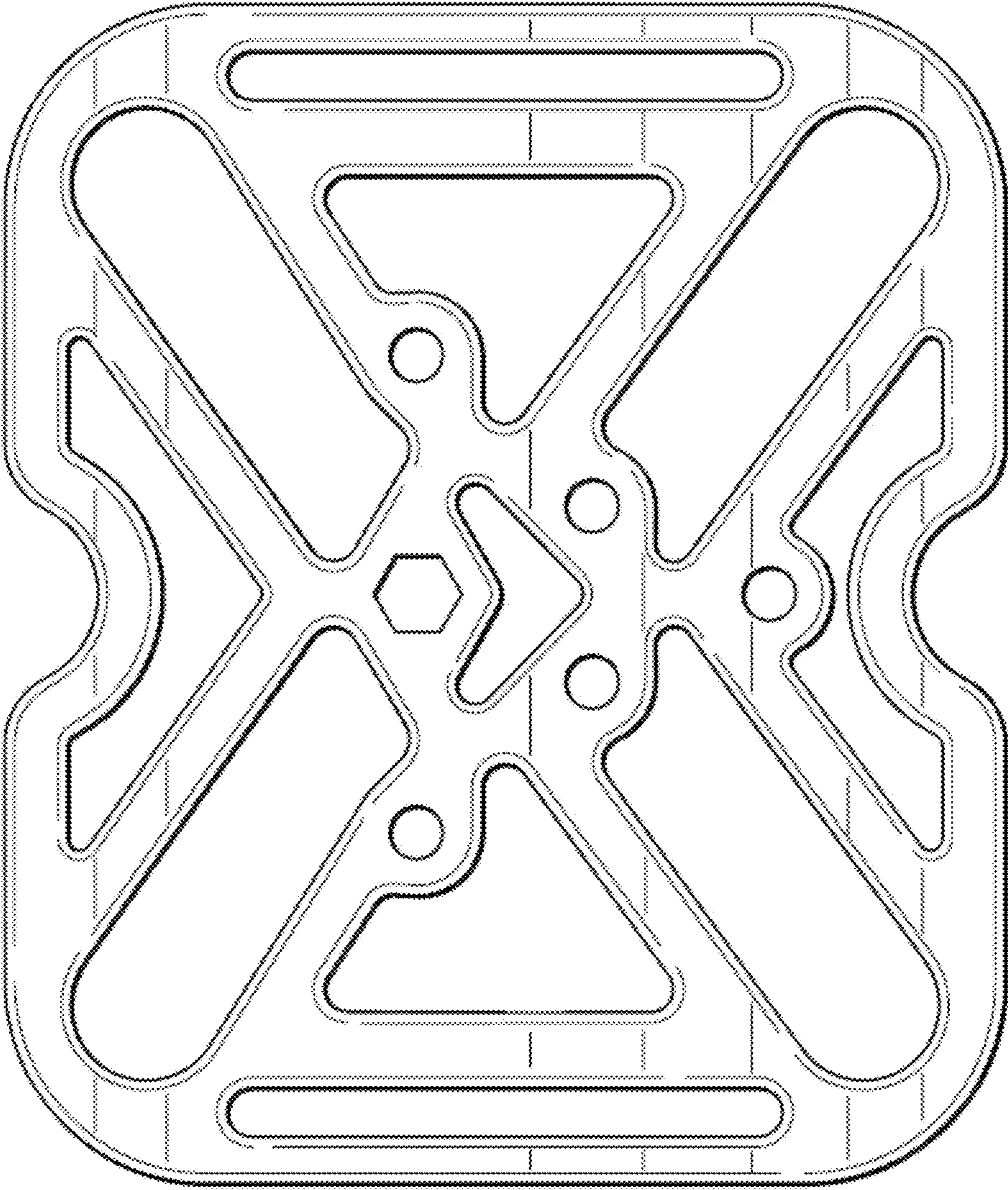


FIG. 6

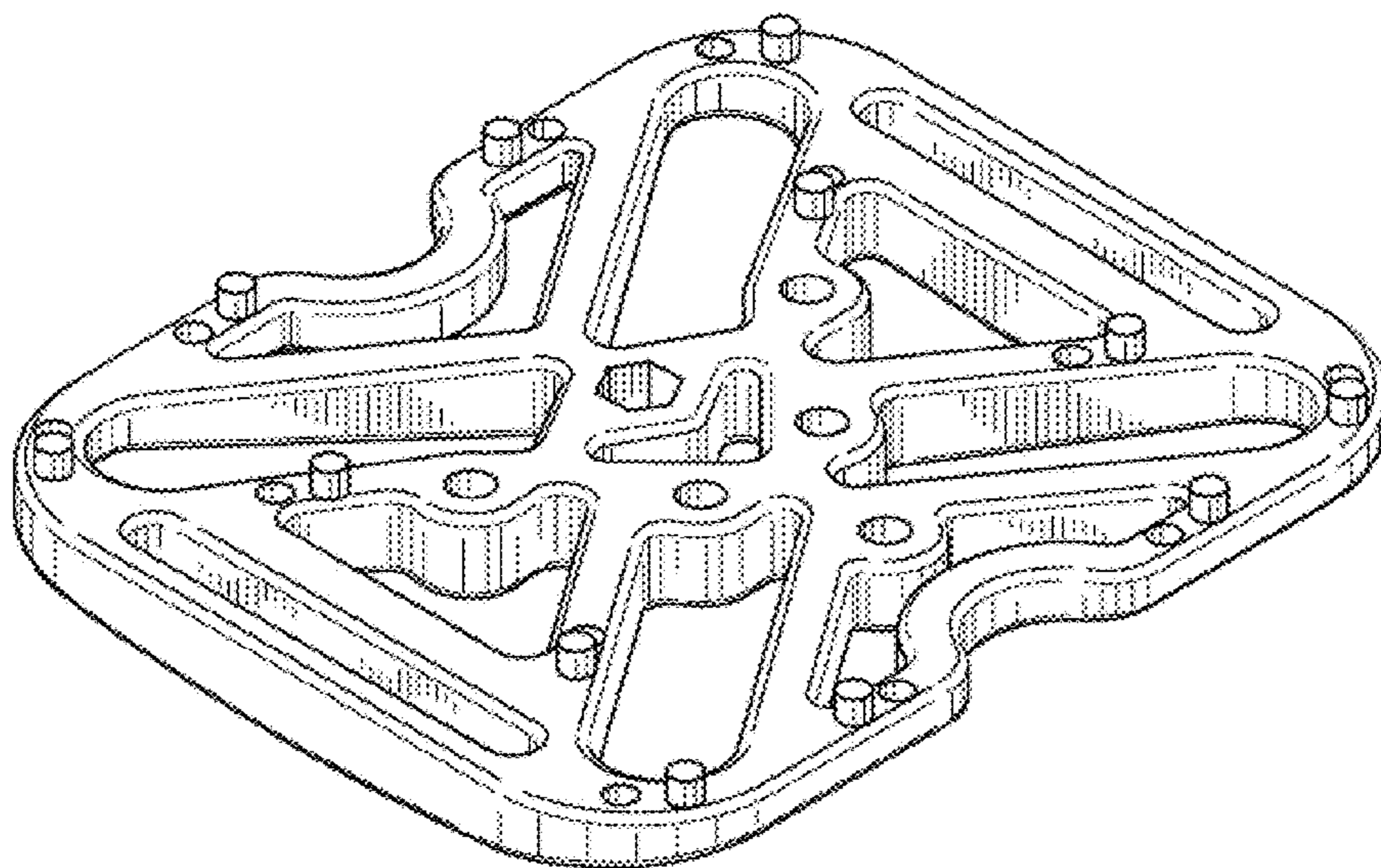


FIG. 7