



US00D798775S

(12) **United States Design Patent**
Chui et al.

(10) **Patent No.:** **US D798,775 S**

(45) **Date of Patent:** **** Oct. 3, 2017**

(54) **MOTORCYCLE FAIRING**

(71) Applicants: **Ka Yu Calvin Chui**, Kowloon (HK);
Wing Chuen Kay Chui, Kowloon (HK)

(72) Inventors: **Ka Yu Calvin Chui**, Kowloon (HK);
Wing Chuen Kay Chui, Kowloon (HK)

(**) Term: **15 Years**

(21) Appl. No.: **29/569,359**

(22) Filed: **Jun. 27, 2016**

(51) **LOC (10) Cl.** **12-11**

(52) **U.S. Cl.**
USPC **D12/114**

(58) **Field of Classification Search**
USPC D12/114, 117, 110, 126, 186, 182, 402
CPC B62J 17/04; B62J 17/02; B62J 17/00
See application file for complete search history.

(56) **References Cited**

U.S. PATENT DOCUMENTS

D260,509 S *	9/1981	Guzzetta	D12/182
D266,410 S *	10/1982	Hoese	D12/114
D278,328 S *	4/1985	Hoese	D12/114
D345,725 S *	4/1994	Camfield	D12/182
D440,920 S *	4/2001	Nelson	D12/182
D474,998 S *	5/2003	Green	D12/114
D480,670 S *	10/2003	Hanagan	D12/182
D485,221 S *	1/2004	Song	D12/182
D514,033 S *	1/2006	Jacklyn, II	D12/114

D578,941 S *	10/2008	Hanagan	D12/182
D599,724 S *	9/2009	Swender	D12/182
D624,860 S *	10/2010	Shimizugami	D12/182
7,837,253 B1 *	11/2010	Swender	B62J 17/02 296/180.1
D631,802 S *	2/2011	Burden	D12/182
D634,684 S *	3/2011	Hodges	D12/182
D649,497 S *	11/2011	Adams	D12/182
D683,276 S *	5/2013	Files	D12/126
D736,691 S *	8/2015	Holeman	D12/402
D775,027 S *	12/2016	Chui	D12/182
D777,611 S *	1/2017	Griffin	D12/114

* cited by examiner

Primary Examiner — George D. Kirschbaum

Assistant Examiner — Clese Moore, Jr.

(74) *Attorney, Agent, or Firm* — Rabin & Berdo, P.C.

(57) **CLAIM**

The ornamental design for a motorcycle fairing, as shown and described.

DESCRIPTION

FIG. 1 is a rear perspective view of a motorcycle fairing showing our new design;

FIG. 2 is a rear perspective view with the rear latch in an open position thereof;

FIG. 3 is a front view thereof;

FIG. 4 is a rear view thereof;

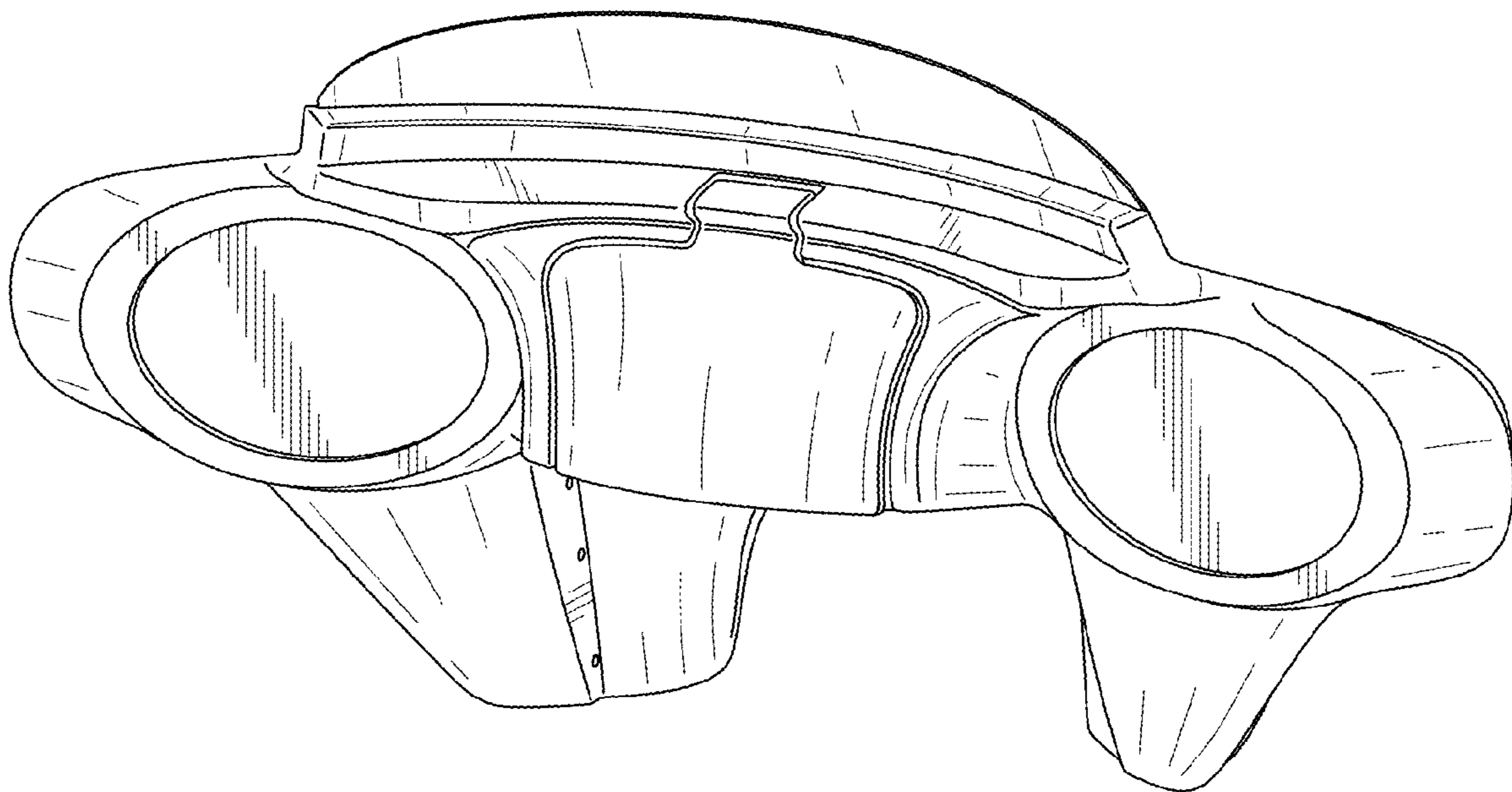
FIG. 5 is a top plan view thereof;

FIG. 6 is a bottom plan view thereof;

FIG. 7 is a left side view thereof; and,

FIG. 8 is a right side view thereof.

1 Claim, 4 Drawing Sheets



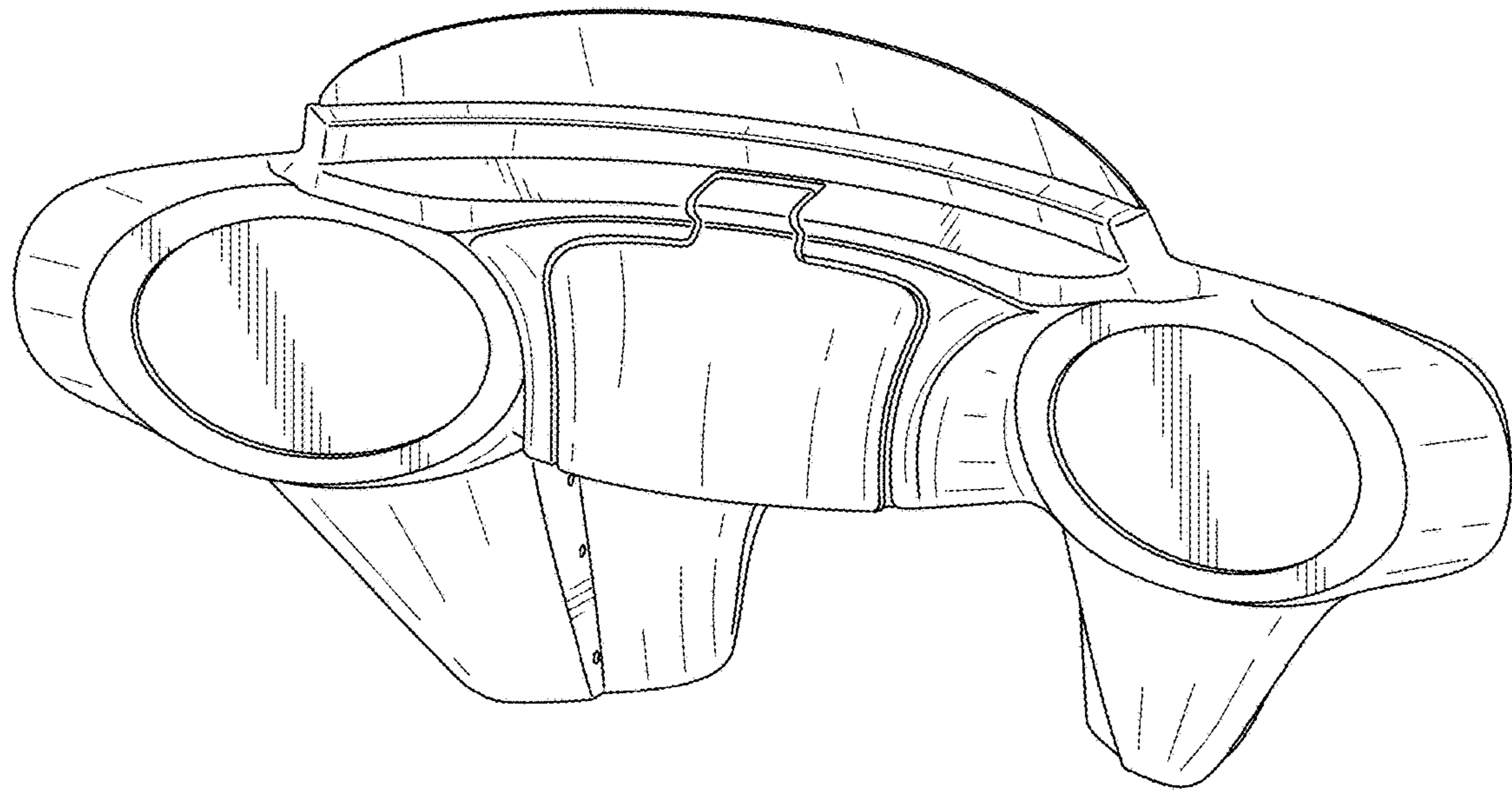


FIG. 1

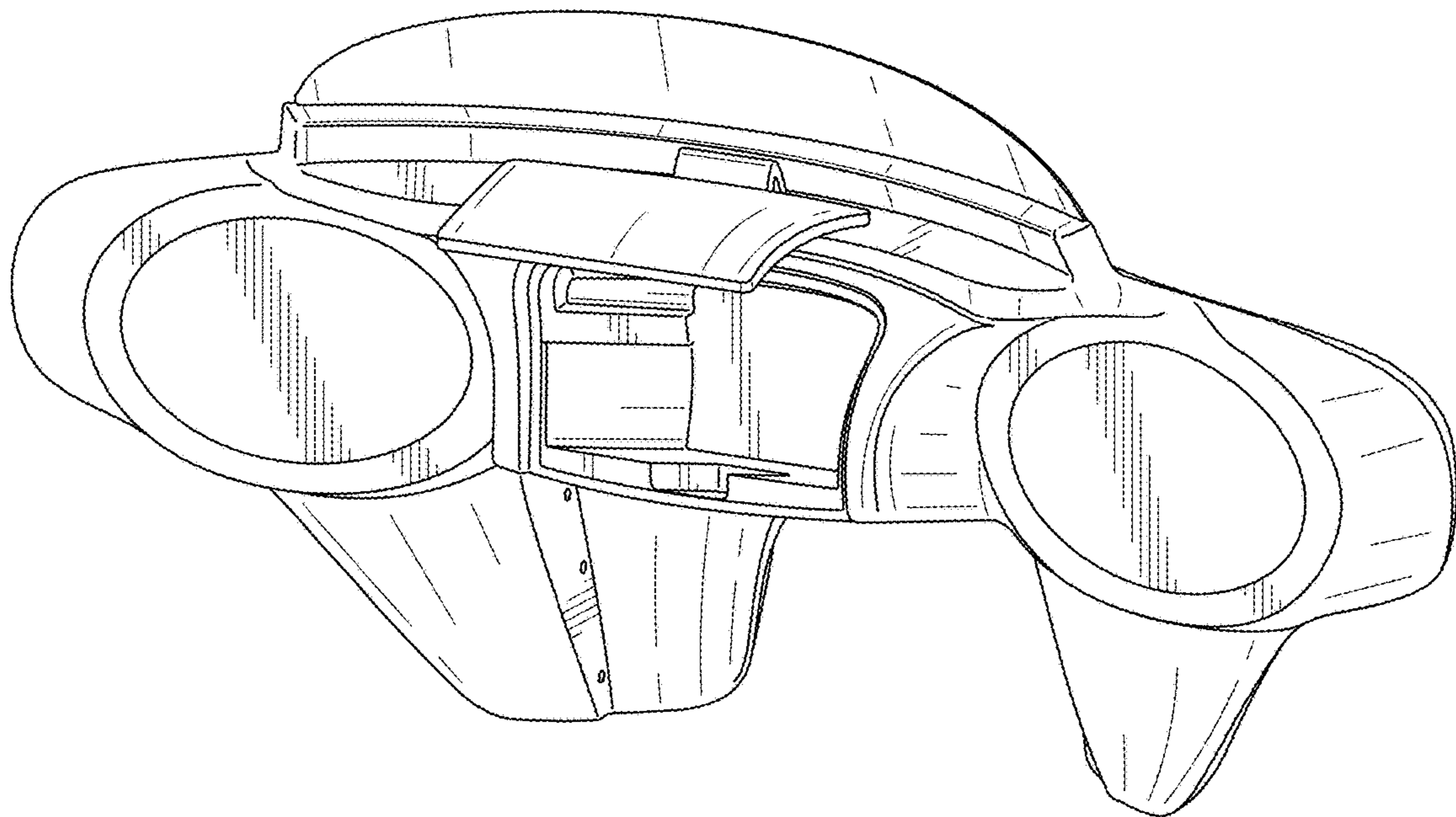


FIG. 2

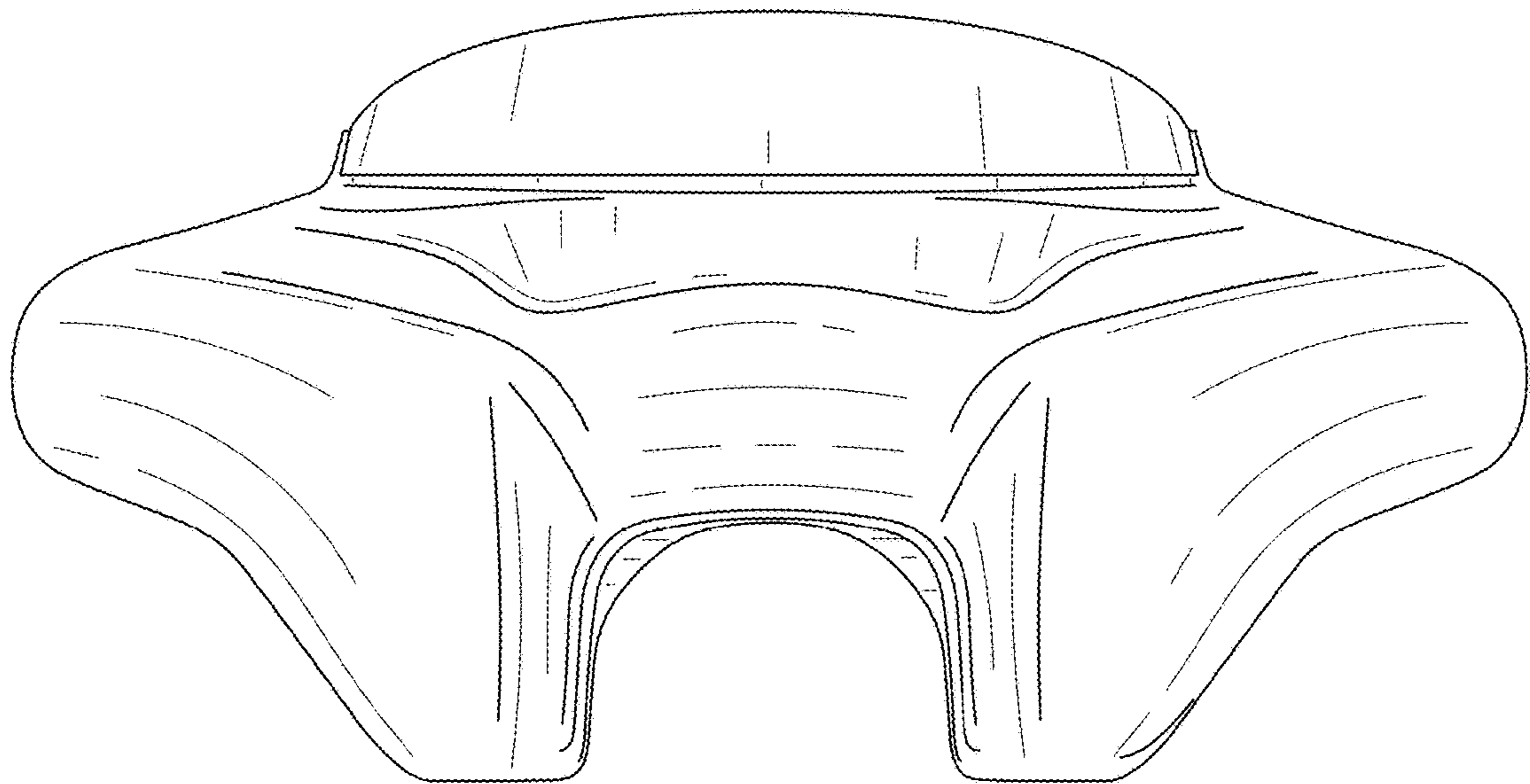


FIG. 3

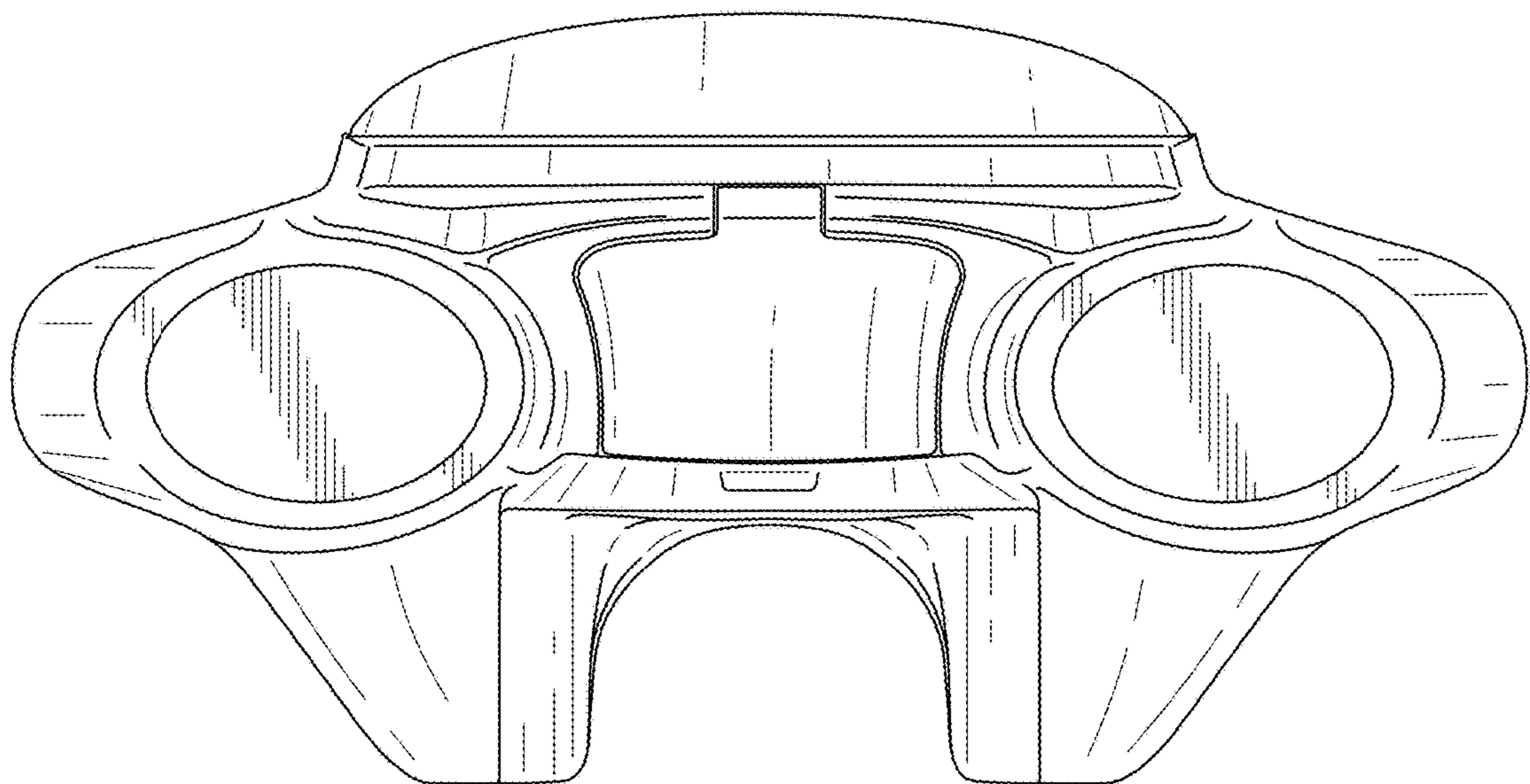


FIG. 4

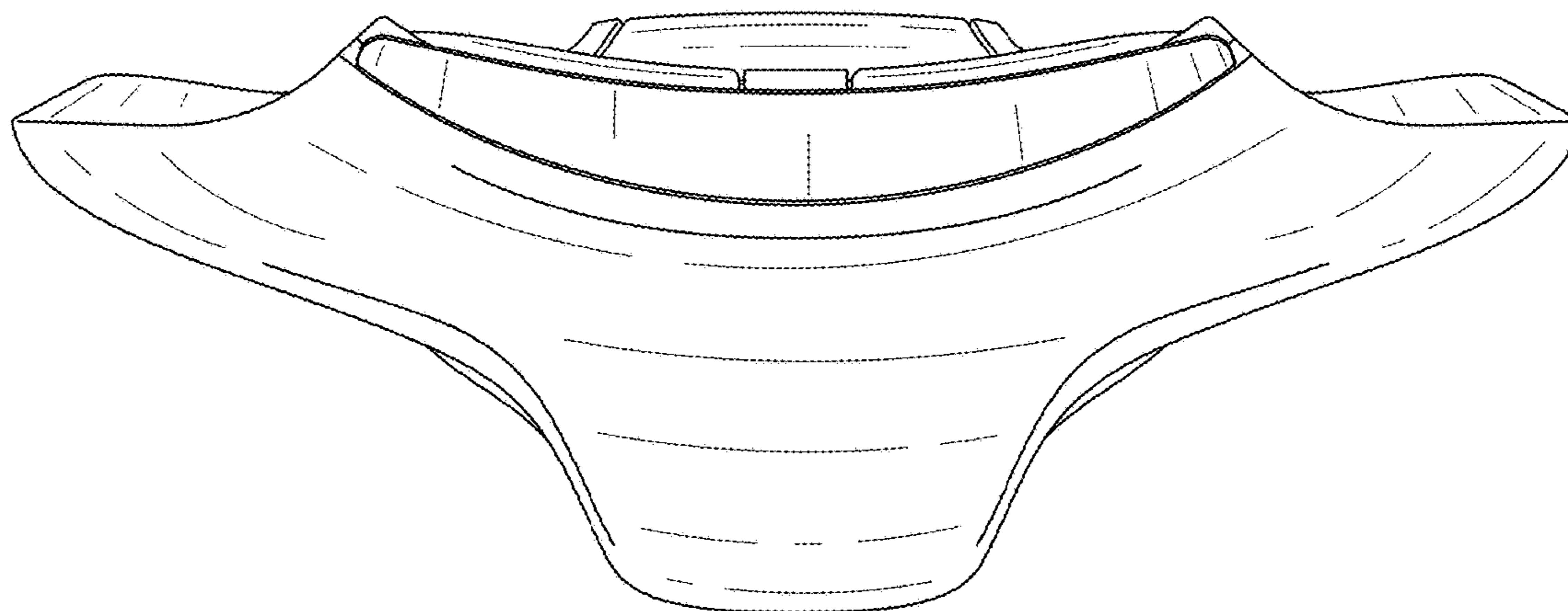


FIG. 5

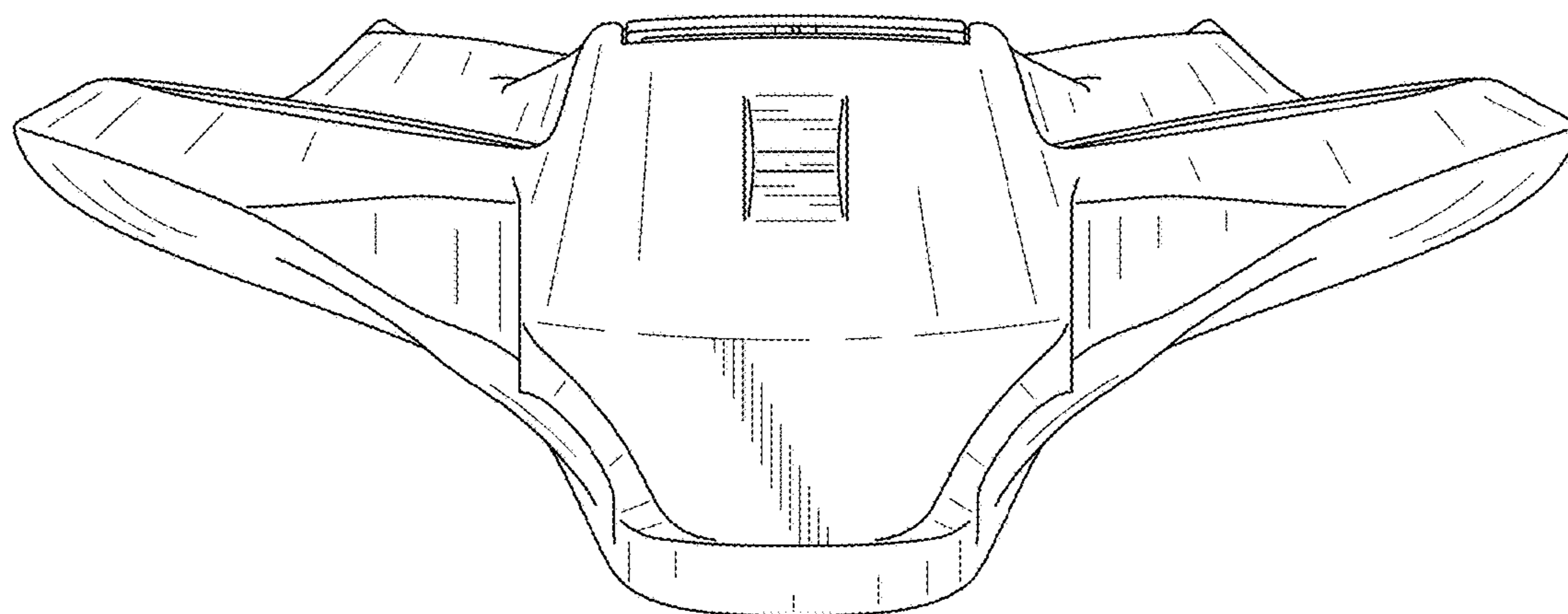


FIG. 6

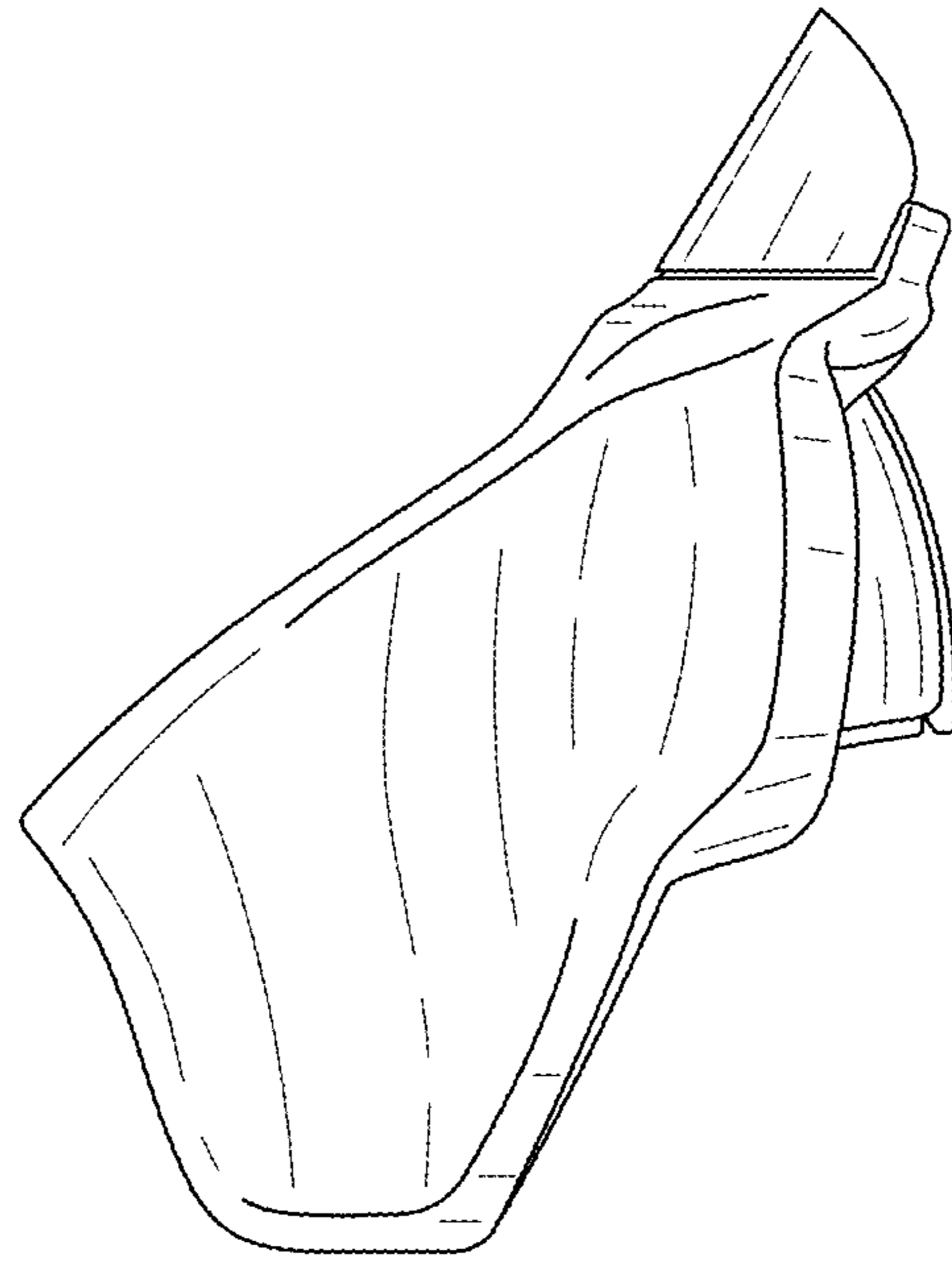


FIG. 7

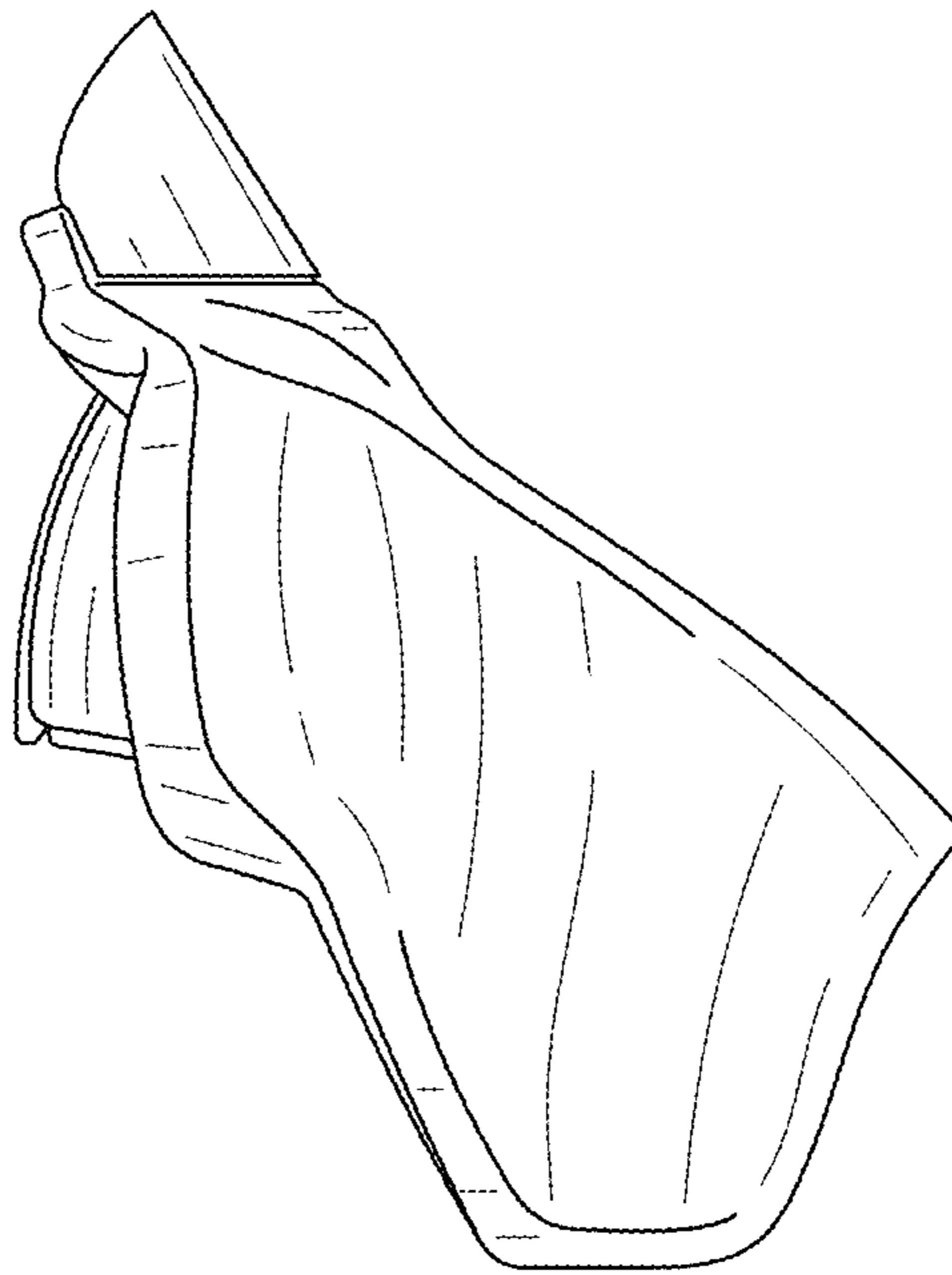


FIG. 8