



US00D798774S

(12) **United States Design Patent**
Janyapanich et al.

(10) **Patent No.:** **US D798,774 S**

(45) **Date of Patent:** **** Oct. 3, 2017**

(54) **SIDE COVER FOR A MOTORCYCLE**

(71) Applicant: **HONDA MOTOR CO., LTD.**, Tokyo (JP)

(72) Inventors: **Nattapat Janyapanich**, Bangkok (TH);
Seksith Uchchin, Bangkok (TH)

(73) Assignee: **HONDA MOTOR CO., LTD.**, Tokyo (JP)

(**) Term: **15 Years**

(21) Appl. No.: **29/561,144**

(22) Filed: **Apr. 13, 2016**

(30) **Foreign Application Priority Data**

Oct. 16, 2015 (JP) 2015-022842

(51) **LOC (10) Cl.** **12-11**

(52) **U.S. Cl.**
USPC **D12/114**

(58) **Field of Classification Search**

USPC D12/114, 117, 110, 126, 186, 184, 182
CPC ... B62J 17/00; B62J 17/02; B62J 17/04; B62J
23/00; B62K 11/00; B62K 11/02; B62K
11/04

See application file for complete search history.

(56) **References Cited**

U.S. PATENT DOCUMENTS

D522,415 S * 6/2006 Tanaka D12/126
D557,181 S * 12/2007 Xu D12/126
D557,639 S * 12/2007 Xu D12/126
D584,662 S * 1/2009 Ichihara D12/126

D603,762 S * 11/2009 Hayashi D12/126
D655,649 S * 3/2012 Kudo D12/126
D660,203 S * 5/2012 Yamazaki D12/126
D684,506 S * 6/2013 Kobayashi D12/126
D690,625 S * 10/2013 Futamata D12/126
D695,157 S * 12/2013 Tsukui D12/126
D711,290 S * 8/2014 Akita D12/114
D711,291 S * 8/2014 Futamata D12/114
D712,314 S * 9/2014 Katagiri D12/114
D712,793 S * 9/2014 Kohama D12/114
D772,108 S * 11/2016 Petersson D12/114
D782,369 S * 3/2017 Fujimoto D12/114

* cited by examiner

Primary Examiner — George D. Kirschbaum

Assistant Examiner — Clese Moore, Jr.

(74) *Attorney, Agent, or Firm* — Birch, Stewart, Kolasch & Birch, LLP

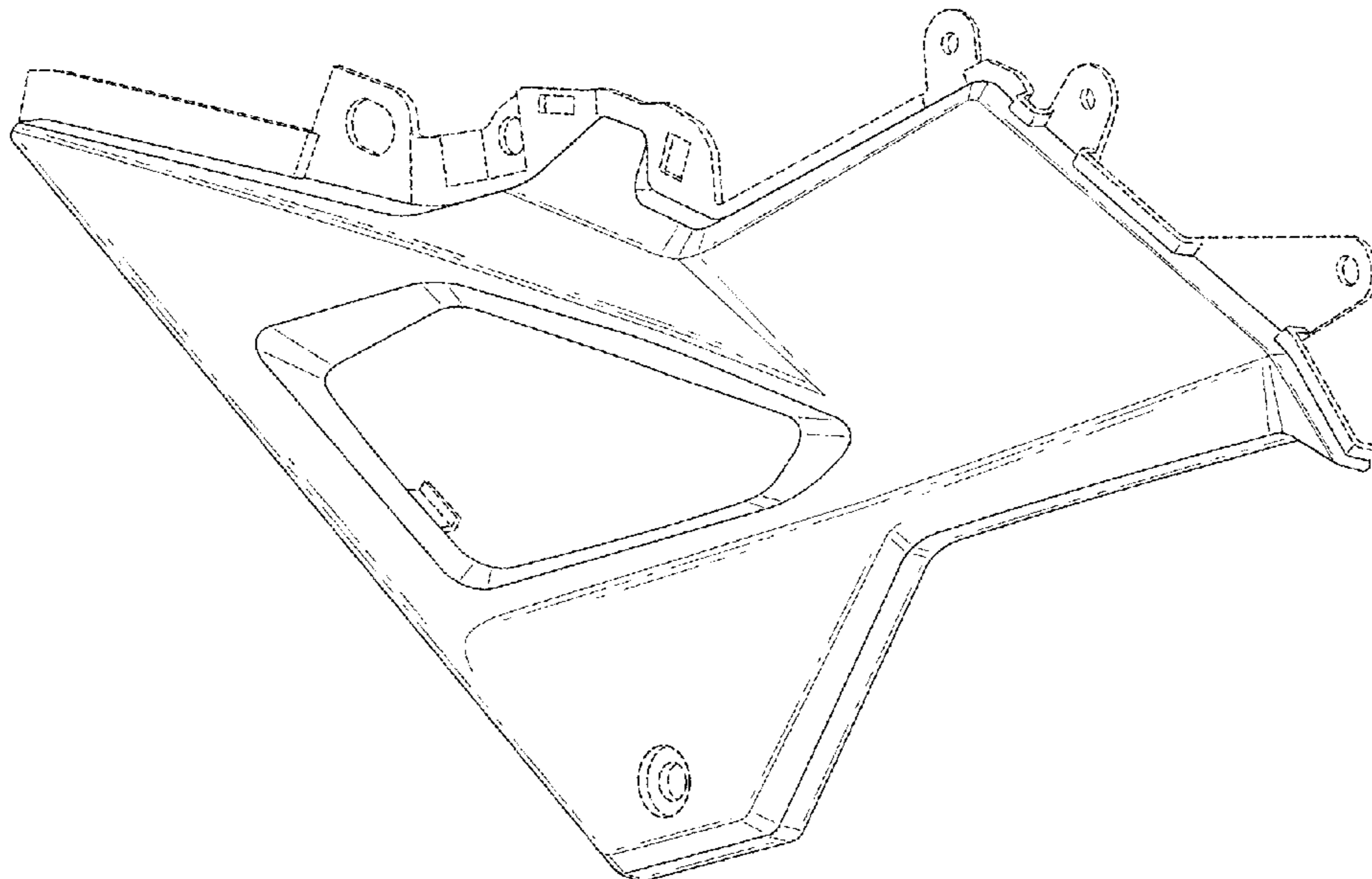
(57) **CLAIM**

The ornamental design for a side cover for a motorcycle, as shown and described.

DESCRIPTION

FIG. 1 is a front right side perspective view of a side cover for a motorcycle showing our new design;
FIG. 2 is a front elevational view thereof;
FIG. 3 is a top plan view thereof;
FIG. 4 is a bottom view thereof;
FIG. 5 is a left side elevational view thereof;
FIG. 6 is a right side elevational view thereof;
FIG. 7 is a front left side perspective view thereof; and,
FIG. 8 is front elevational view thereof, shown in use.
The portions shown in broken lines show environment and form no part of the claimed design.

1 Claim, 8 Drawing Sheets



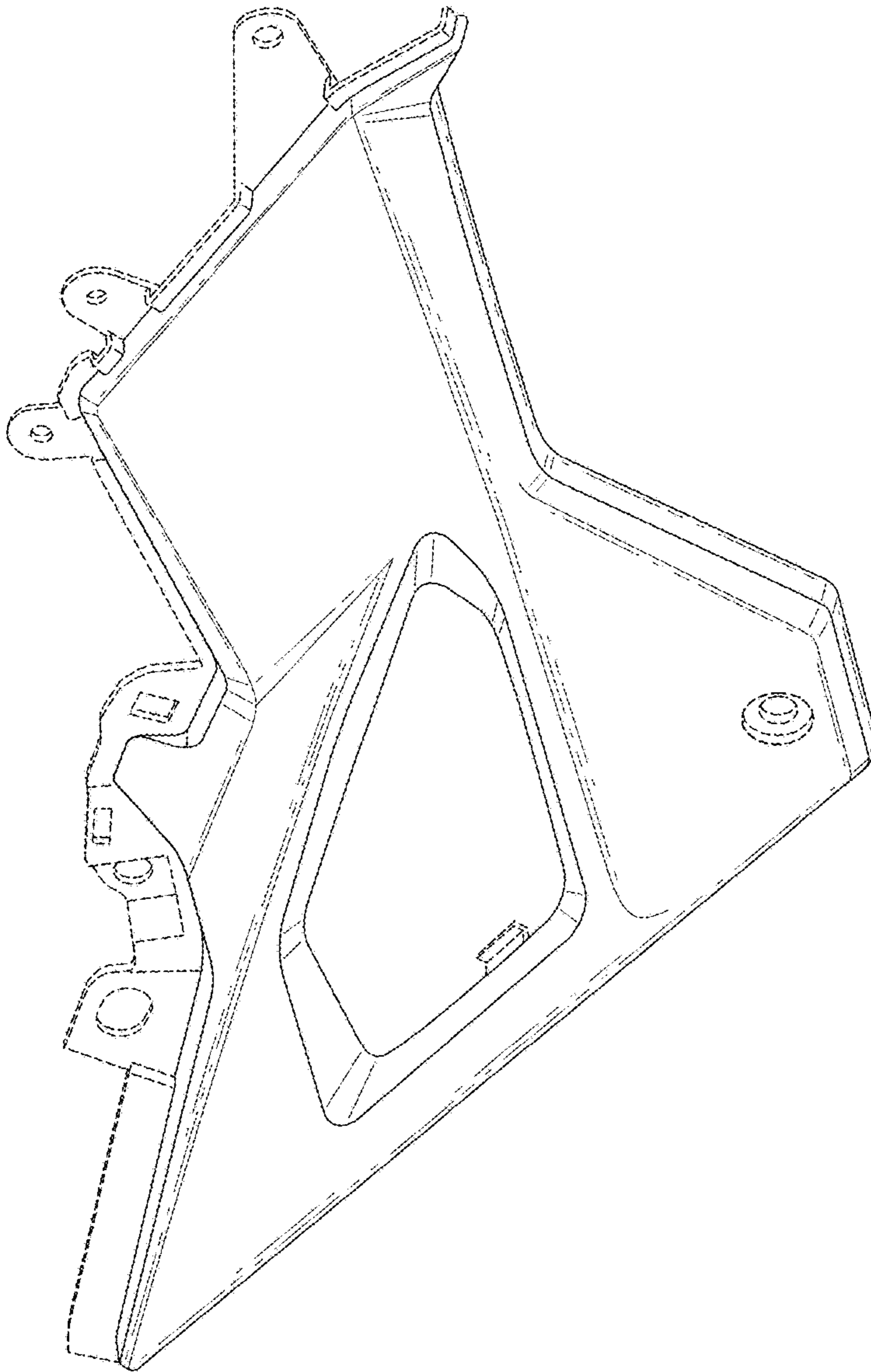


FIG.1

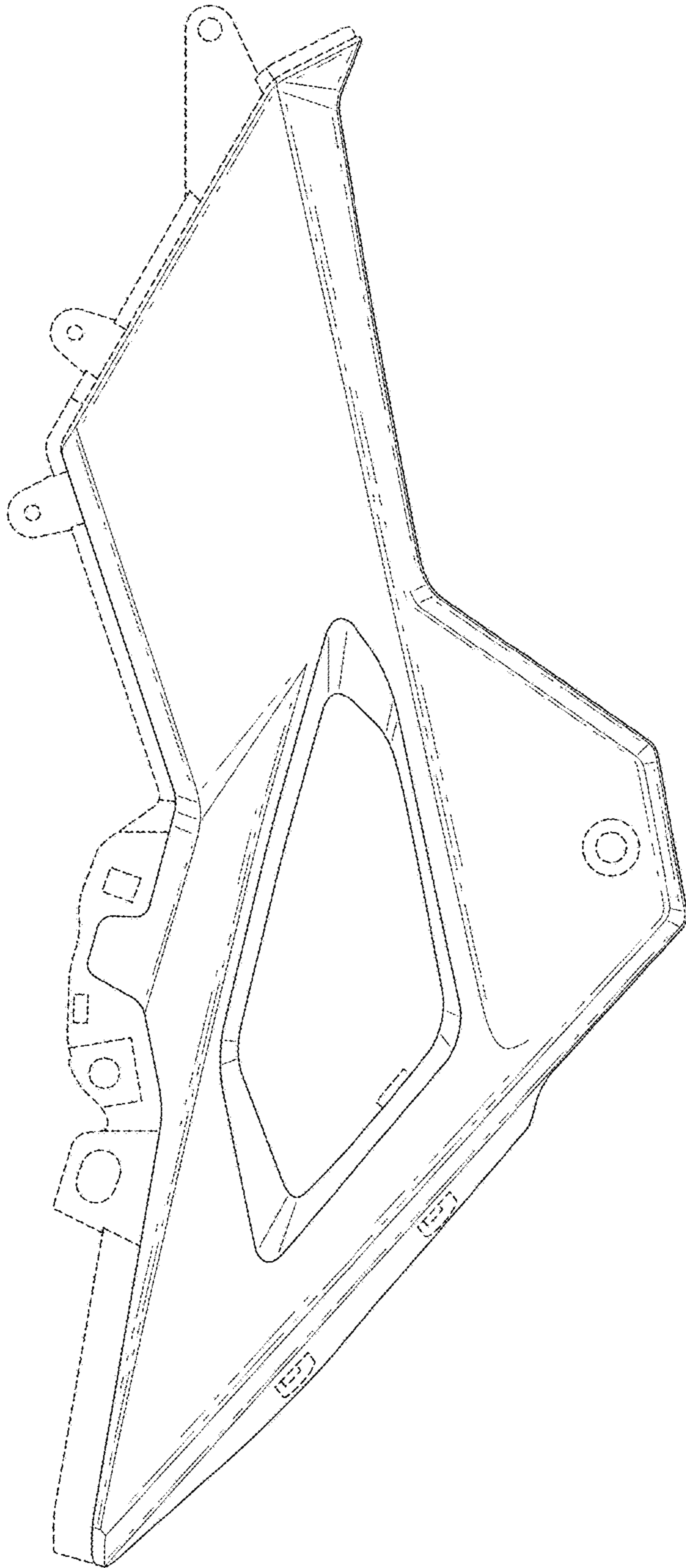


FIG.2

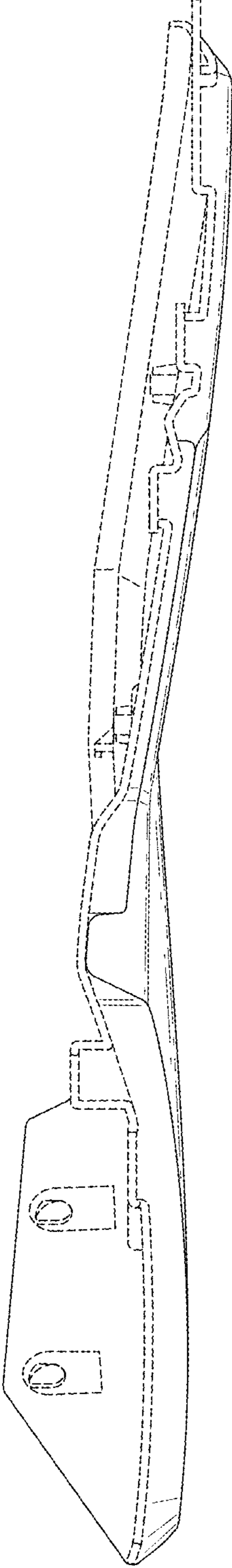


FIG.3

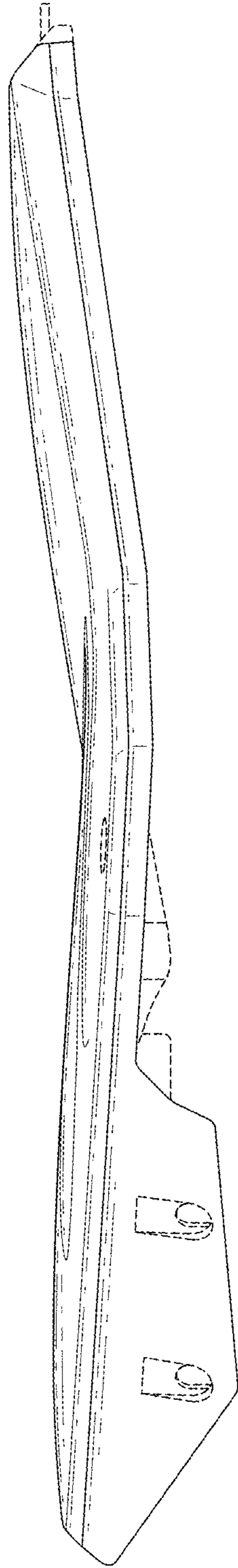


FIG.4

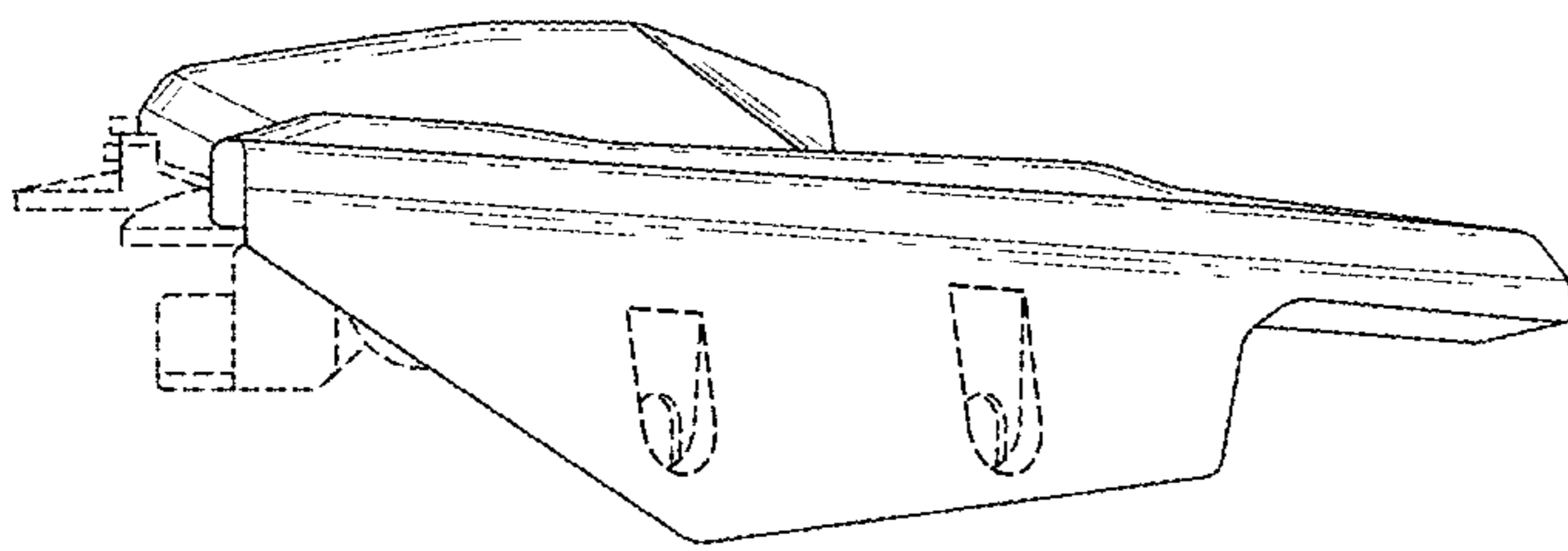


FIG.5

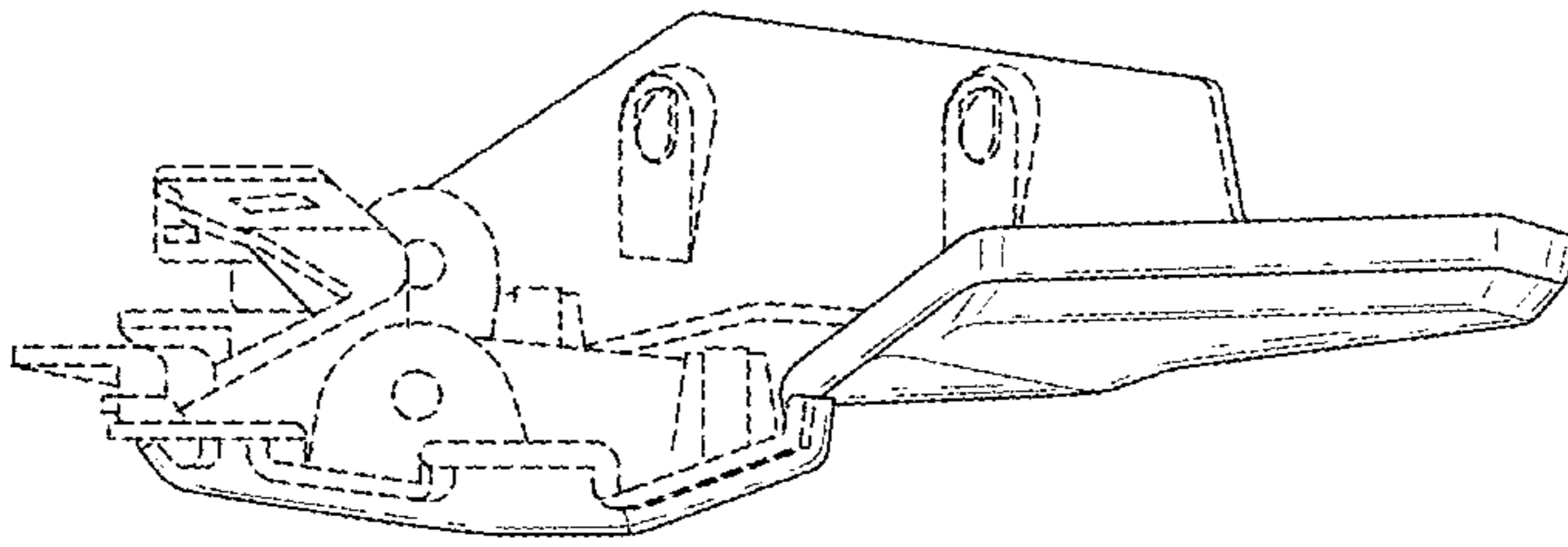


FIG.6

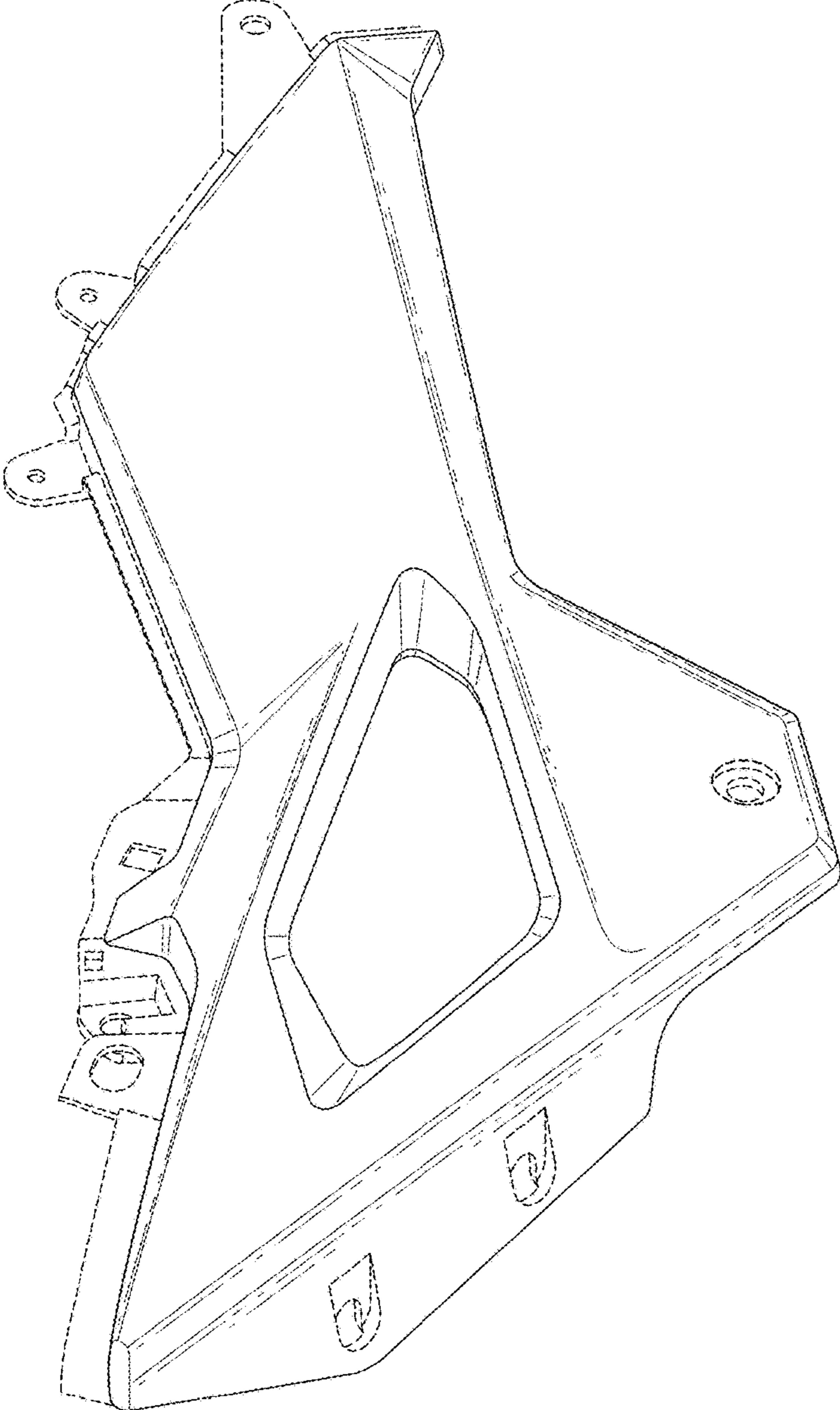


FIG.7

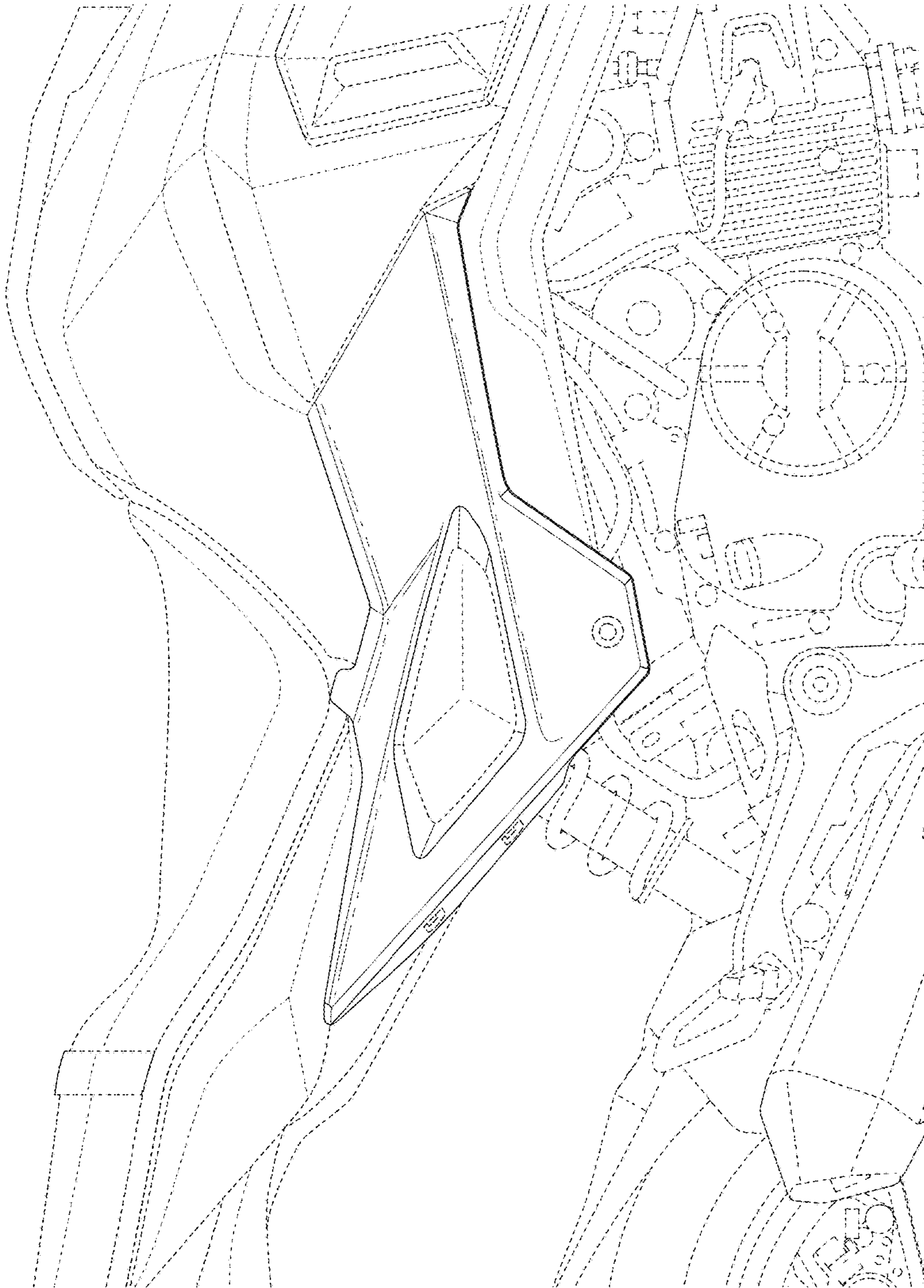


FIG.8