



US00D798773S

(12) **United States Design Patent** (10) **Patent No.:** **US D798,773 S**  
**Fitzgerald et al.** (45) **Date of Patent:** **\*\* Oct. 3, 2017**

(54) **OIL COOLER ADAPTER**

(71) Applicants: **Chandler Fitzgerald**, St. George, UT  
 (US); **Zane Koch**, Washington, UT  
 (US)

(72) Inventors: **Chandler Fitzgerald**, St. George, UT  
 (US); **Zane Koch**, Washington, UT  
 (US)

(\*\*) Term: **15 Years**

(21) Appl. No.: **29/558,906**

(22) Filed: **Mar. 23, 2016**

(51) **LOC (10) Cl.** ..... **12-11**

(52) **U.S. Cl.**  
 USPC ..... **D12/114**

(58) **Field of Classification Search**  
 USPC ..... D12/114, 115, 117, 111, 120, 126, 223,  
 D12/400, 407, 408, 415, 420; D15/5;  
 D23/330  
 CPC .. B62J 27/00; B62J 31/00; F01M 5/00; F01M  
 5/002; F01M 11/0458  
 See application file for complete search history.

D422,600 S \* 4/2000 Werner ..... D15/5  
 D427,888 S \* 7/2000 Hannon ..... D8/354  
 D458,275 S \* 6/2002 Weng ..... D15/5  
 D458,276 S \* 6/2002 Weng ..... D15/5  
 D601,062 S \* 9/2009 Garland ..... D12/114  
 D685,686 S \* 7/2013 Pirolo ..... D12/114  
 D729,128 S \* 5/2015 Forget ..... D12/114  
 D755,683 S \* 5/2016 Goodlow ..... D12/114  
 9,587,532 B1 \* 3/2017 Au ..... F01M 11/03  
 D791,060 S \* 7/2017 Bartish ..... D12/400  
 2004/0132359 A1 \* 7/2004 Tanaka ..... B63H 21/14  
 440/88 L  
 2009/0020261 A1 \* 1/2009 McMillan ..... F01M 5/002  
 165/44

\* cited by examiner

*Primary Examiner* — George D. Kirschbaum  
*Assistant Examiner* — Clese Moore, Jr.  
 (74) *Attorney, Agent, or Firm* — Gallian Welker &  
 Beckstrom, L.C.; Robert A. Gurr

(57) **CLAIM**

The ornamental design for an oil cooler adapter, as shown and described.

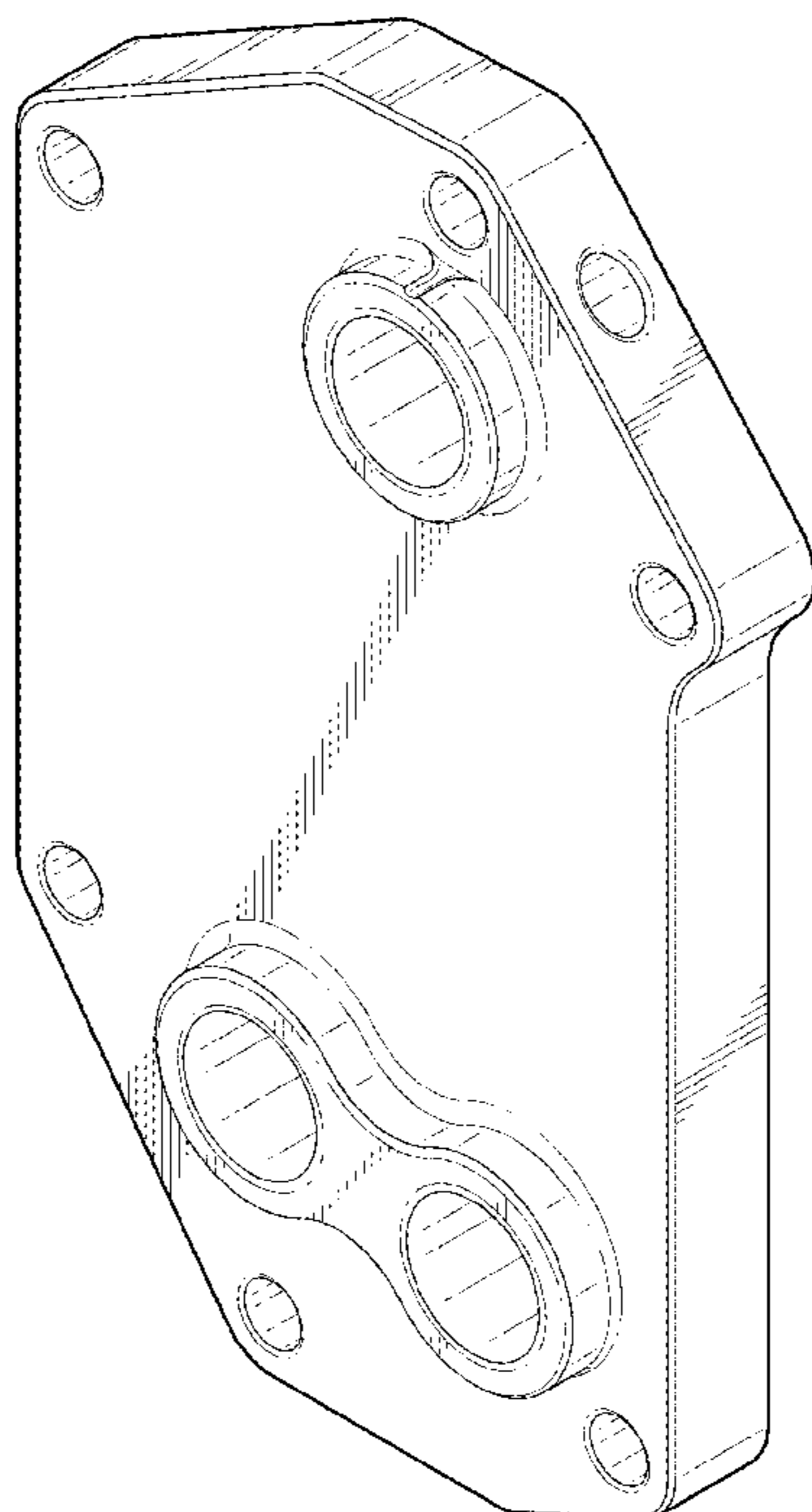
**DESCRIPTION**

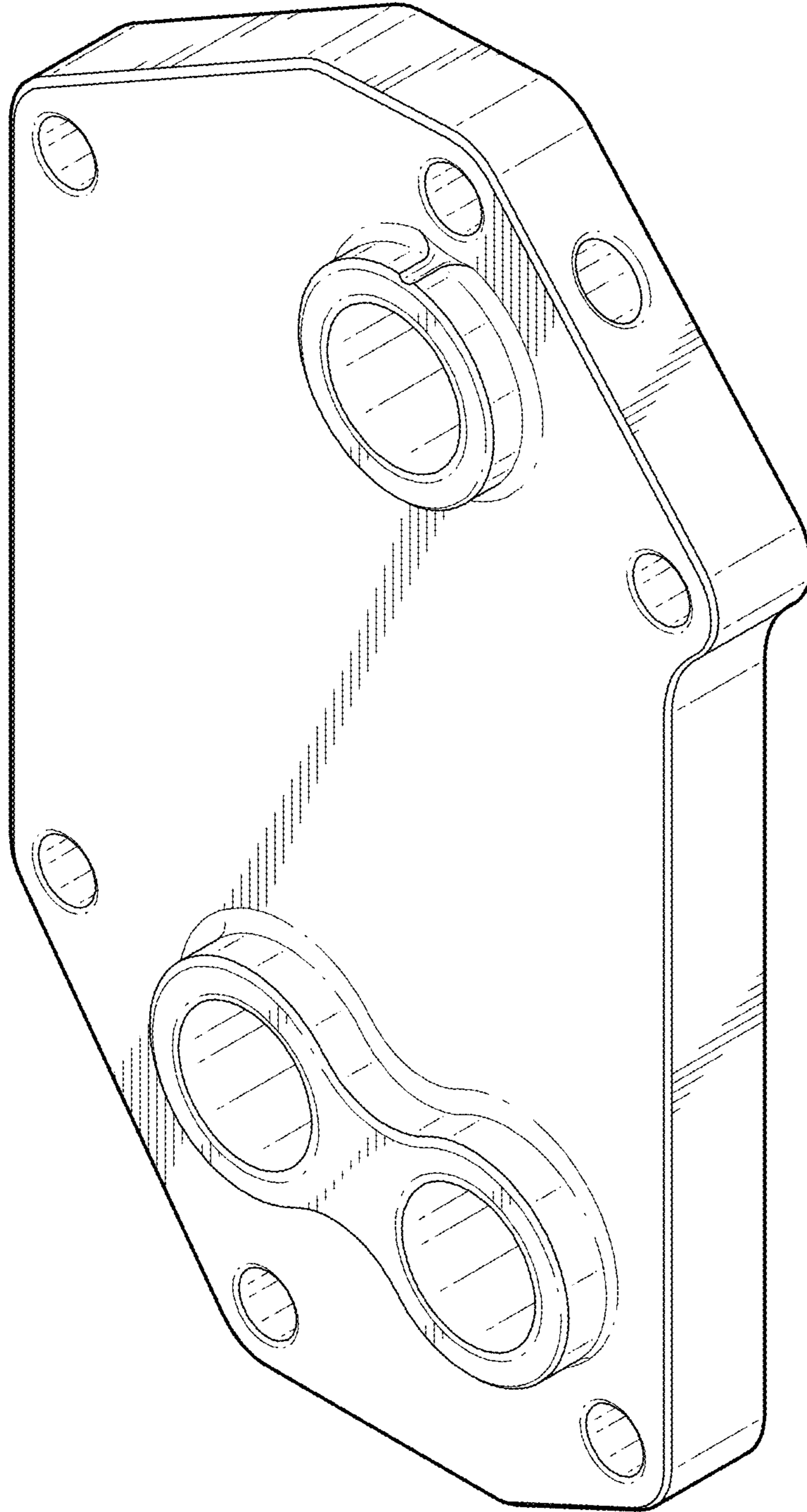
FIG. 1 is a perspective view of the oil cooler adapter;  
 FIG. 2 is a front elevation view of the oil cooler adapter;  
 FIG. 3 is a right-side elevation view of the oil cooler adapter;  
 FIG. 4 is a back elevation view of the oil cooler adapter;  
 FIG. 5 is a left-side elevation view of the oil cooler adapter;  
 FIG. 6 is a top plan view of the oil cooler adapter; and,  
 FIG. 7 is a bottom plan view of the oil cooler adapter.  
 The broken lines shown illustrate portions of the oil cooler  
 adapter that form no part of the claimed design.

**1 Claim, 4 Drawing Sheets**

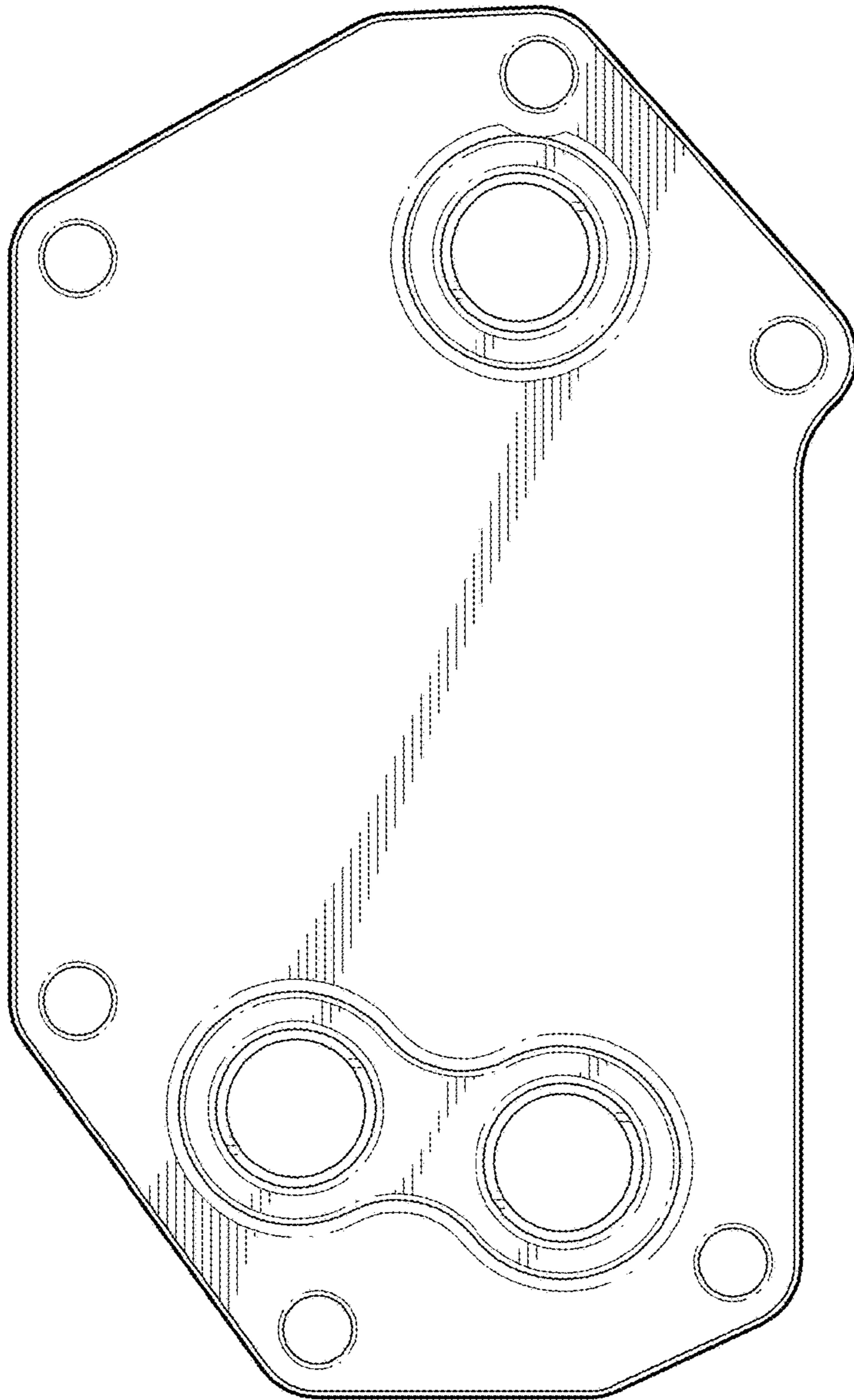
(56) **References Cited**  
 U.S. PATENT DOCUMENTS

4,945,981 A \* 8/1990 Joshi ..... F28D 1/0333  
 165/109.1  
 5,062,474 A \* 11/1991 Joshi ..... F28D 1/0333  
 165/109.1  
 D357,216 S \* 4/1995 Davidson ..... D12/126  
 5,636,685 A \* 6/1997 Gawve ..... F28D 1/0316  
 165/109.1  
 D402,929 S \* 12/1998 Golden ..... D12/126

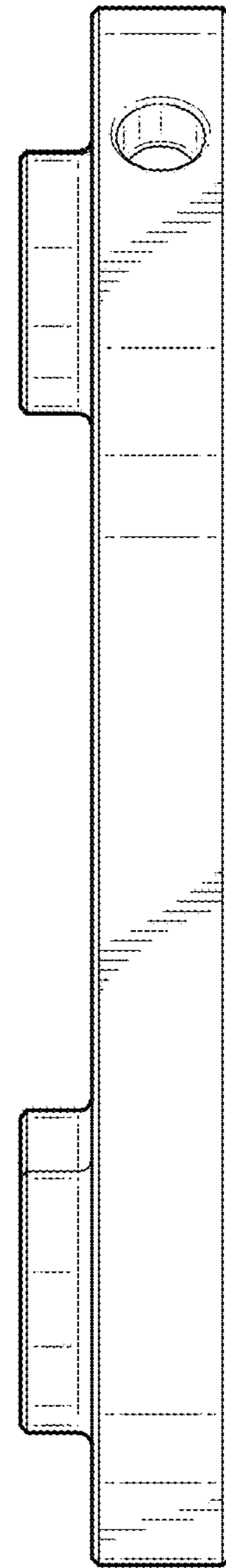




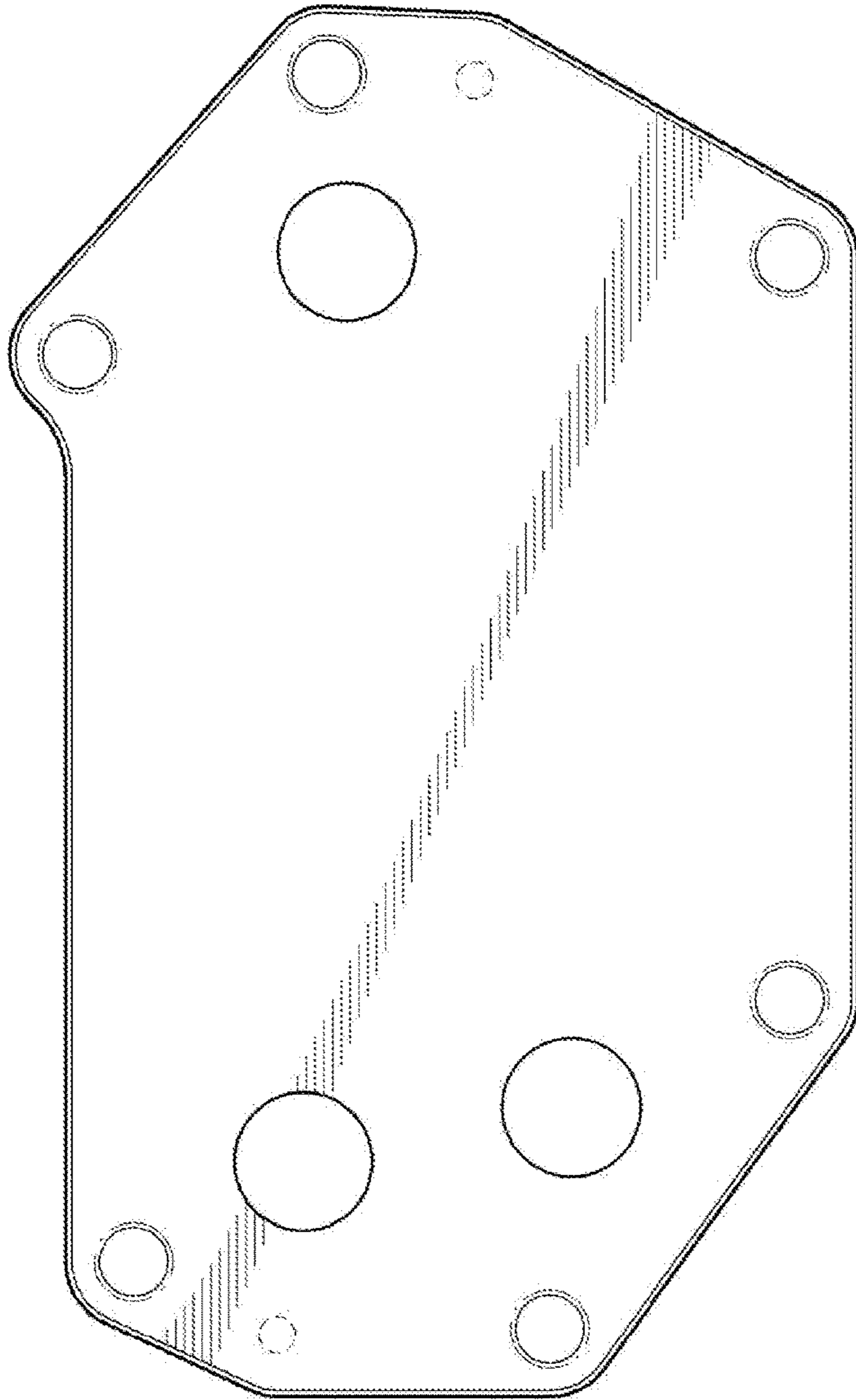
**FIG. 1**



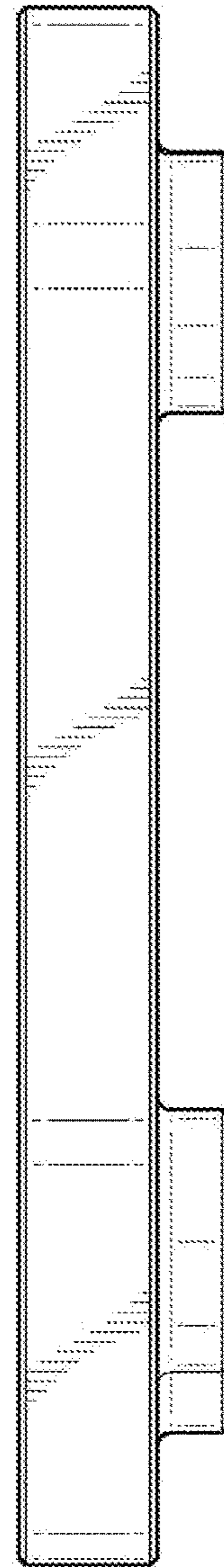
**FIG. 2**



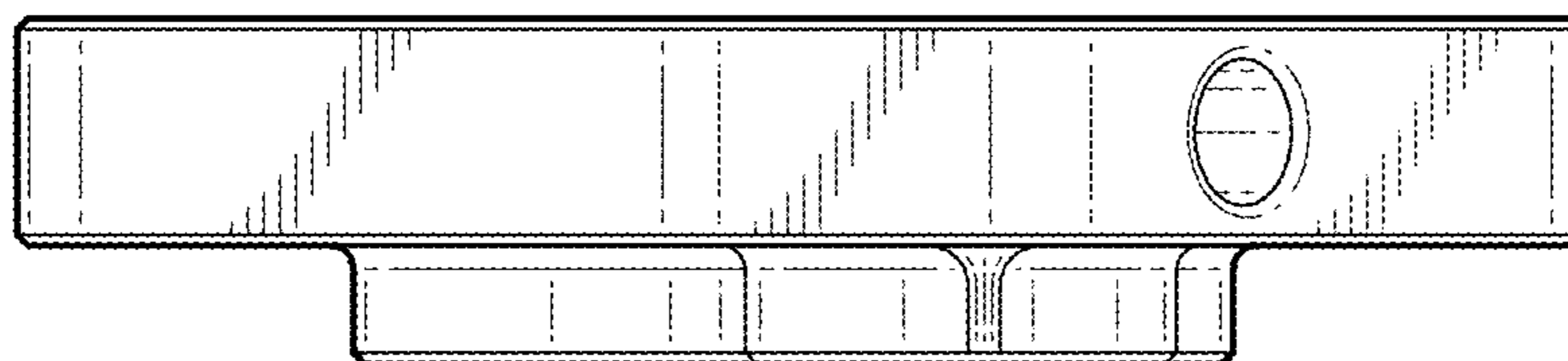
**FIG. 3**



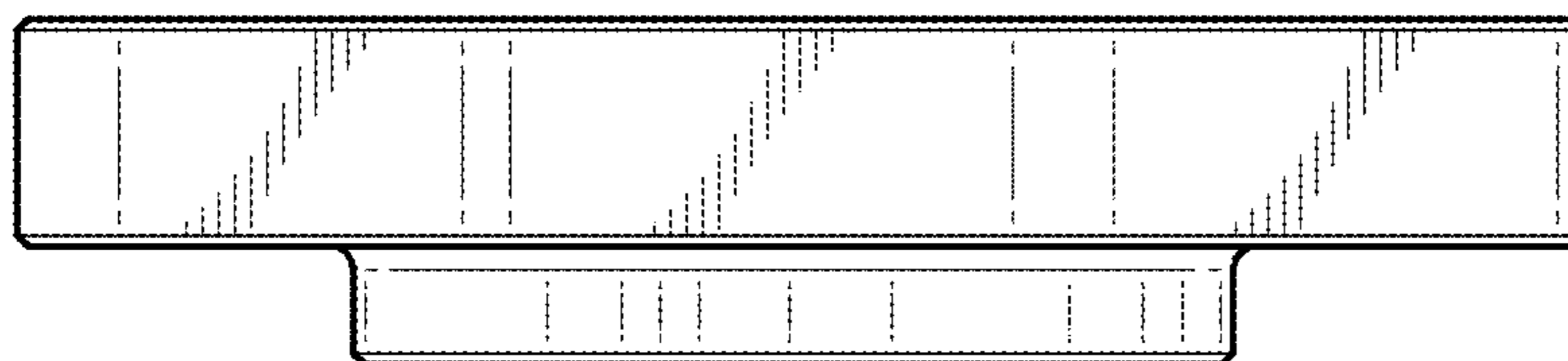
**FIG. 4**



**FIG. 5**



**FIG. 6**



**FIG. 7**