

US00D798769S

(12) **United States Design Patent**
Hodgdon

(10) **Patent No.:** **US D798,769 S**

(45) **Date of Patent:** **** Oct. 3, 2017**

(54) **CLOTHING ARTICLE**

(71) Applicant: **Michael T. Hodgdon**, San Francisco, CA (US)

(72) Inventor: **Michael T. Hodgdon**, San Francisco, CA (US)

(**) Term: **15 Years**

(21) Appl. No.: **29/540,505**

(22) Filed: **Sep. 25, 2015**

(51) **LOC (10) Cl.** **02-07**

(52) **U.S. Cl.**

USPC **D11/200; D2/866**

(58) **Field of Classification Search**

USPC D11/200-201; D2/877, 878, 880, 881, D2/884, 891, 892, 895, 875, 866; 24/382, 713.1, 713, 715.4, 715.7
CPC .. A41D 31/00; A42C 1/08; A42C 1/06; A42C 5/00; A42C 99/00

See application file for complete search history.

(56) **References Cited**

U.S. PATENT DOCUMENTS

- 48,412 A * 6/1865 Komp A42B 1/041 2/171
- 2,632,176 A * 3/1953 Mitchell A42B 1/045 2/181.8
- 2,893,403 A * 7/1959 Turman A45D 8/40 132/274
- 3,446,214 A * 5/1969 Granieri, Jr. A45D 8/40 132/274
- D250,296 S * 11/1978 Breland D2/877
- D313,115 S * 12/1990 Diefendorf D2/892

- 5,785,215 A 7/1998 Hinkel
- 6,138,279 A * 10/2000 Gore A42C 1/06 2/175.1
- D441,174 S * 5/2001 Farbenbloom D2/892
- D447,087 S * 8/2001 Hodge D11/200
- 6,658,704 B2 12/2003 Buscart
- 7,516,523 B2 * 4/2009 Okot A44B 19/262 24/382
- 8,281,413 B2 10/2012 Ly
- D744,207 S * 12/2015 Donner D2/880
- 2011/0101042 A1 5/2011 Ross et al.
- 2012/0210495 A1 8/2012 Wilson
- 2012/0246892 A1 10/2012 Stevens

* cited by examiner

Primary Examiner — Ralf T Seifert

(74) *Attorney, Agent, or Firm* — Robert C. Montgomery; Montgomery Patent & Design, LP

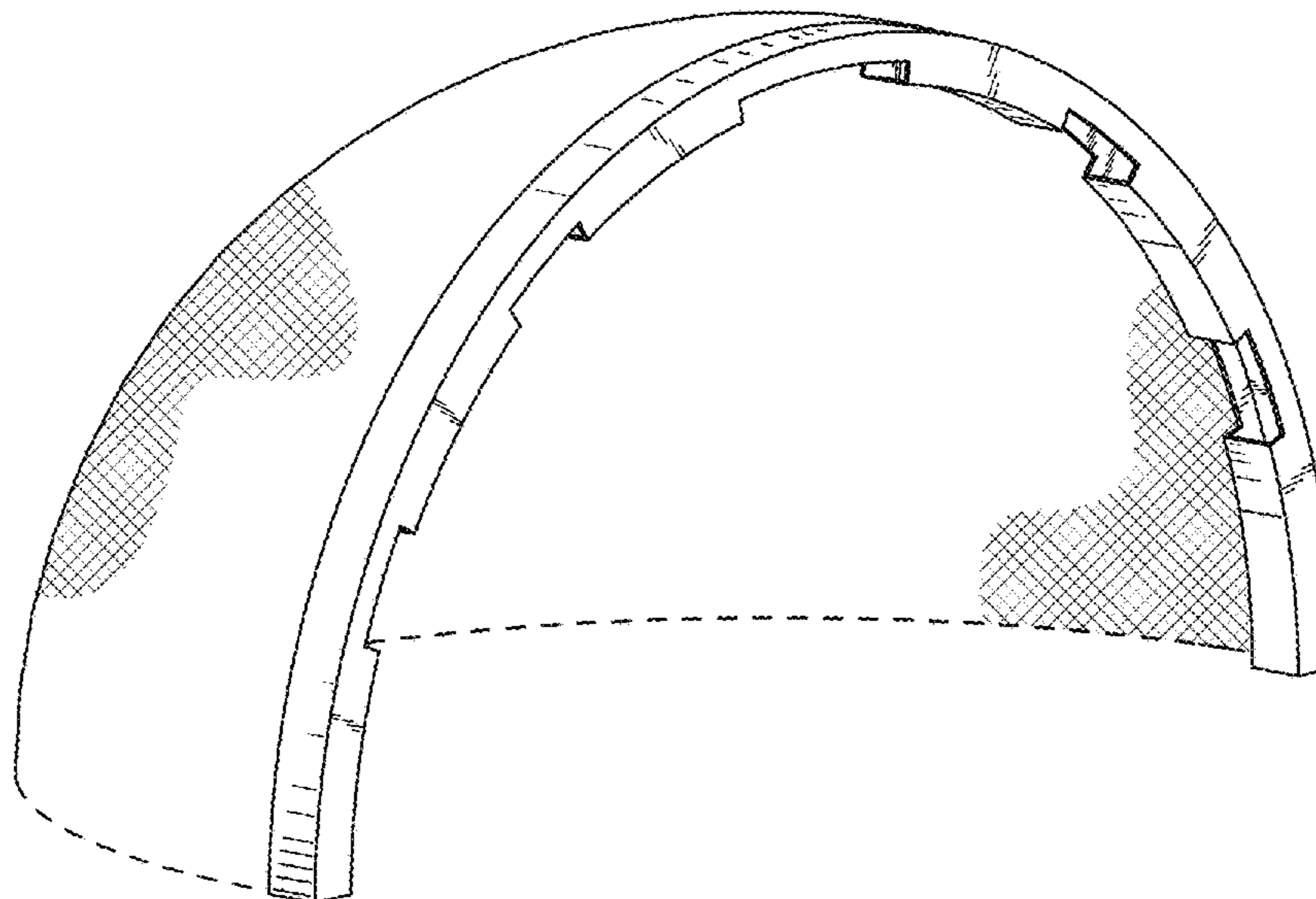
(57) **CLAIM**

The ornamental design for a clothing article, as shown and described.

DESCRIPTION

FIG. 1 is a perspective front view of a clothing article showing my new design;
FIG. 2 is a front side view thereof;
FIG. 3 is a back side view thereof;
FIG. 4 is a left side view with the right side view being a mirror image thereof;
FIG. 5 is a top side view thereof; and,
FIG. 6 is a bottom side view thereof.
The broken lines shown in the drawings illustrate a boundary area of the article and form no part of the claimed design.

1 Claim, 6 Drawing Sheets



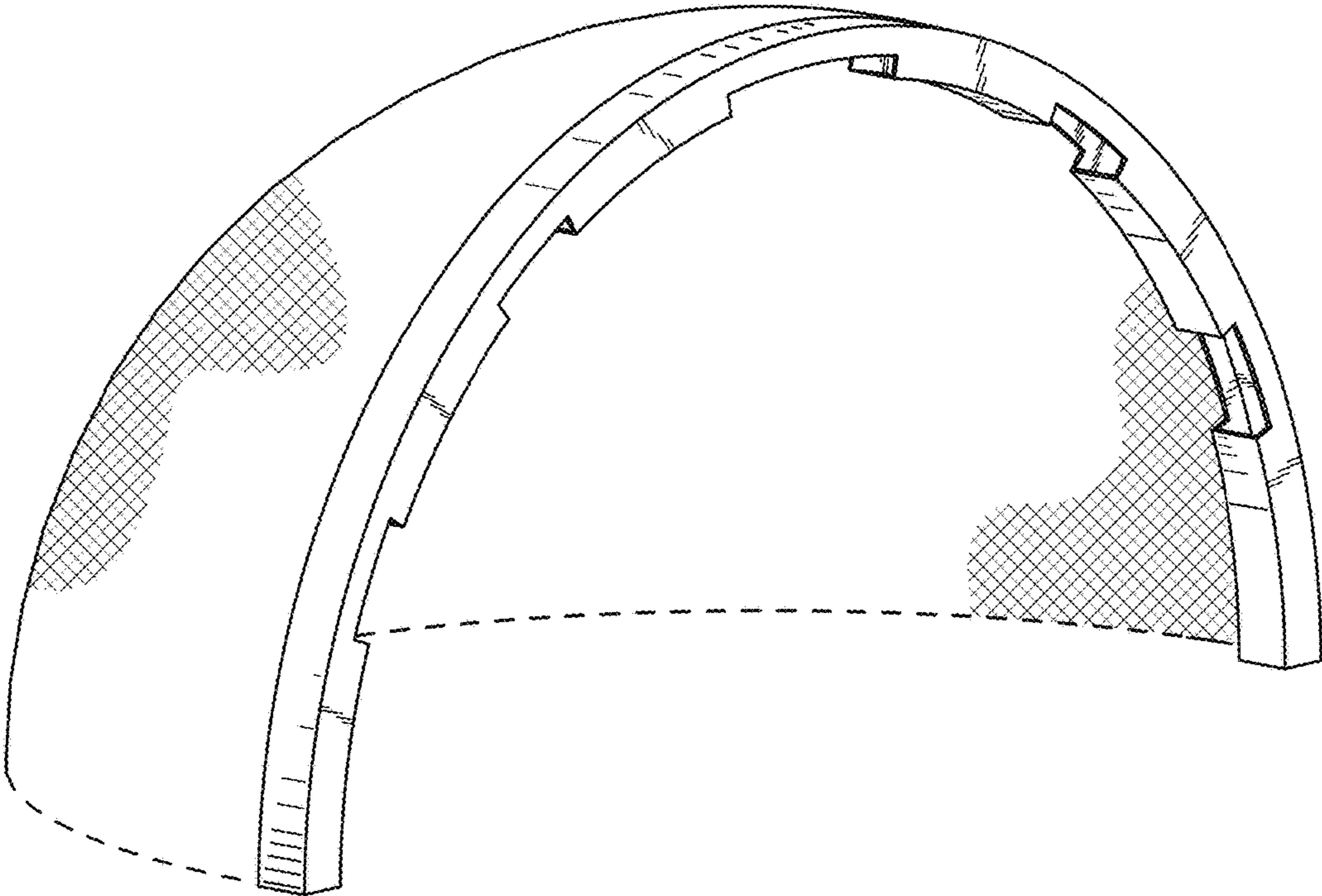


FIG. 1

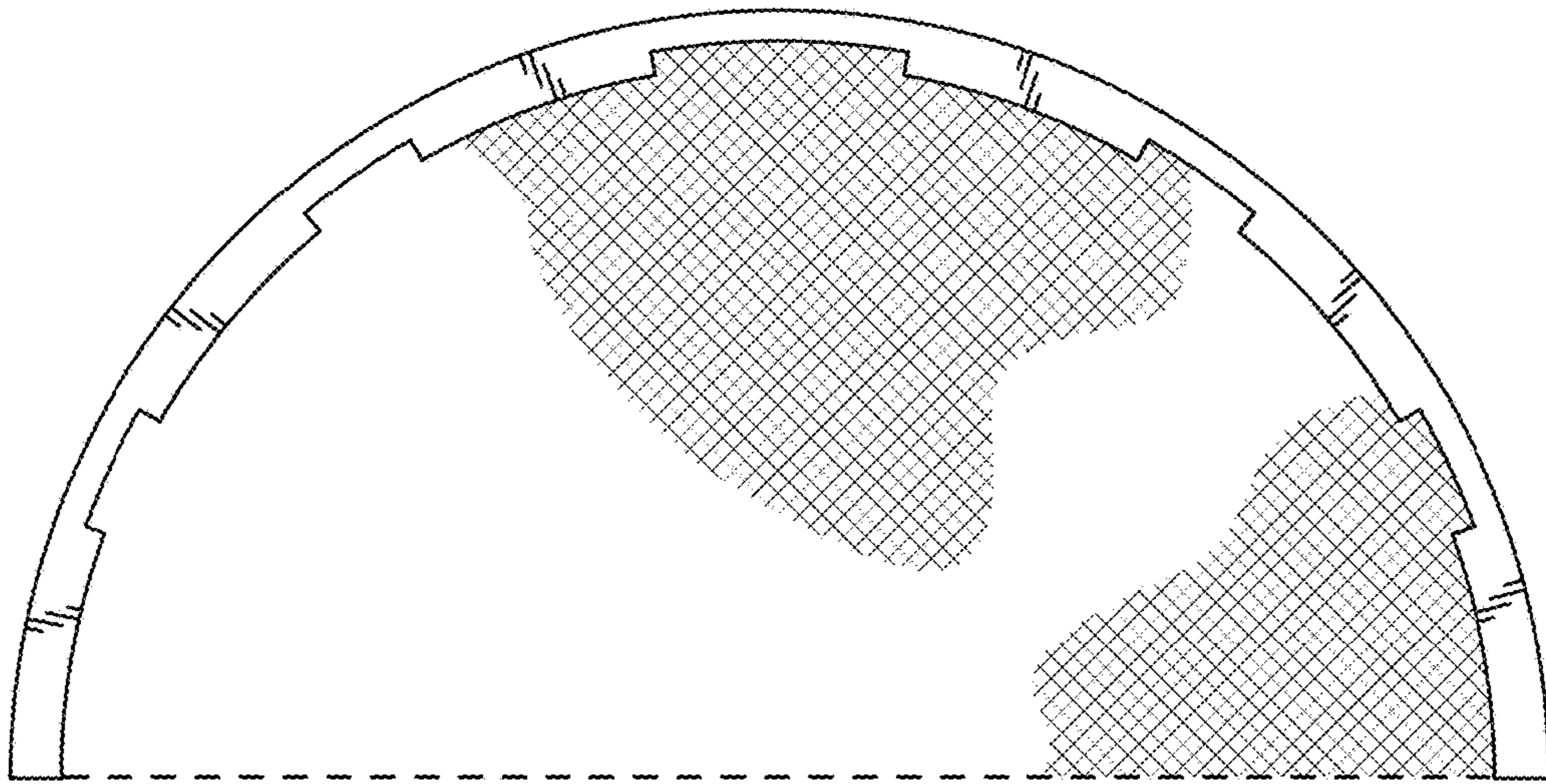


FIG. 2

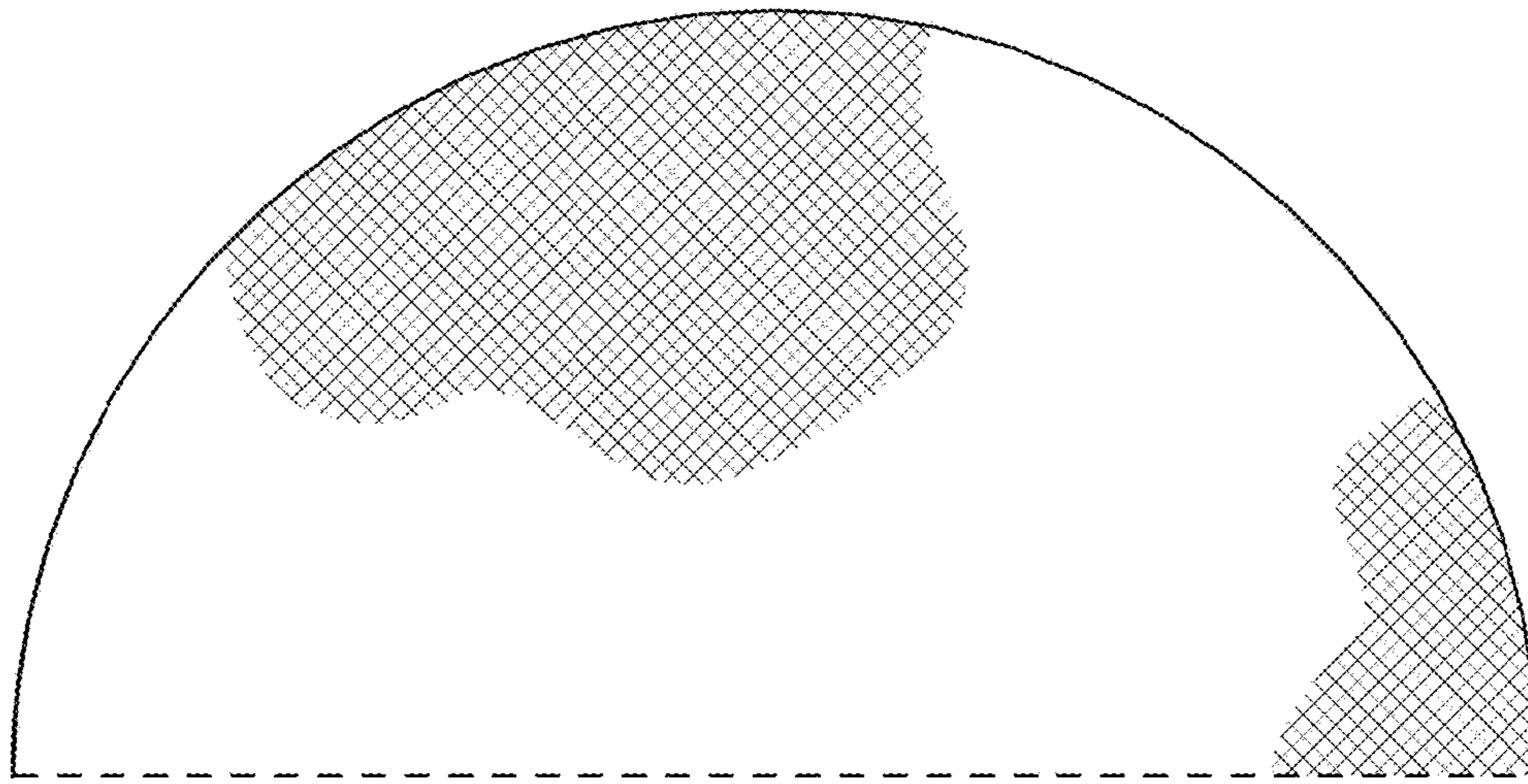


FIG. 3

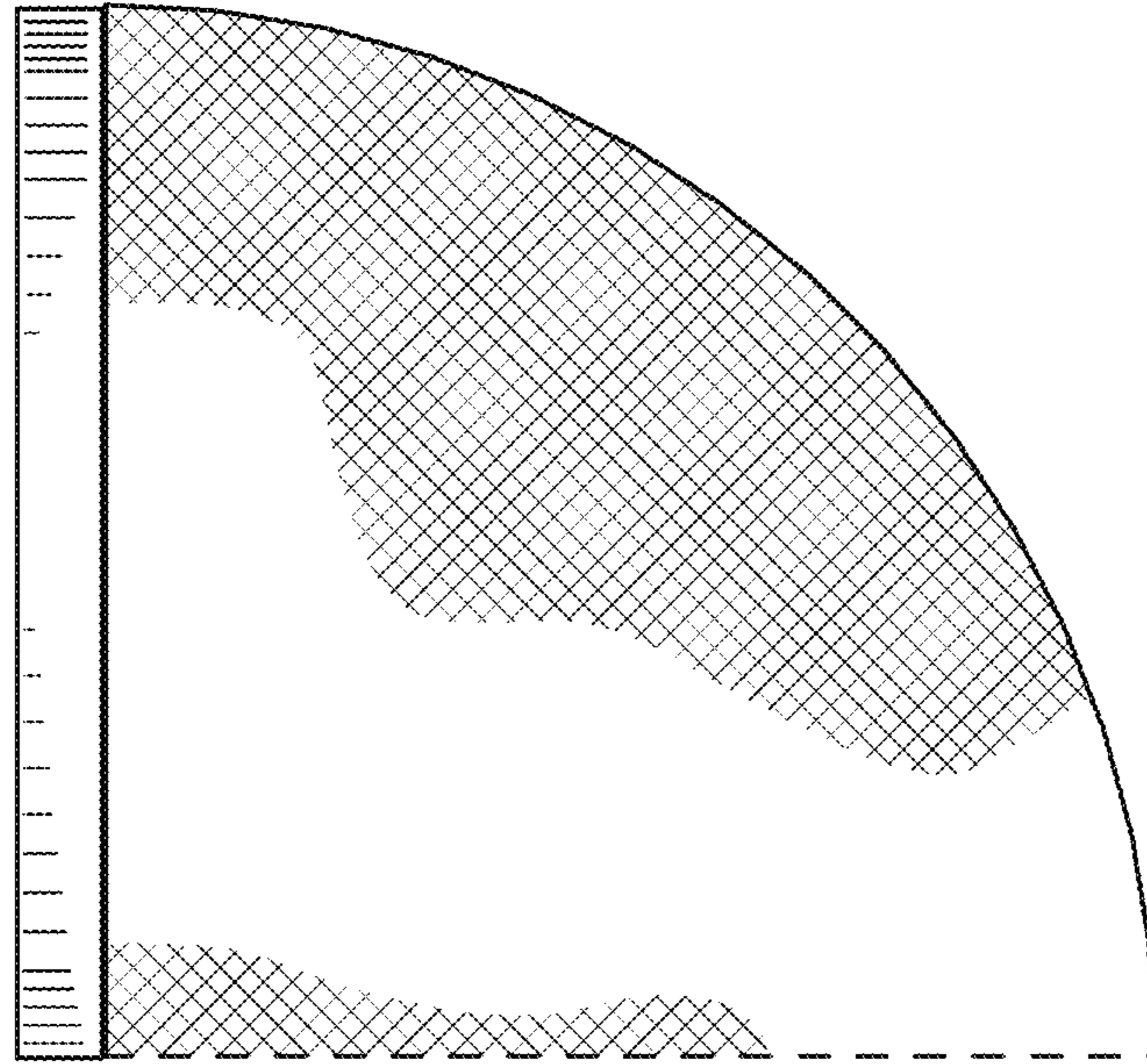


FIG. 4

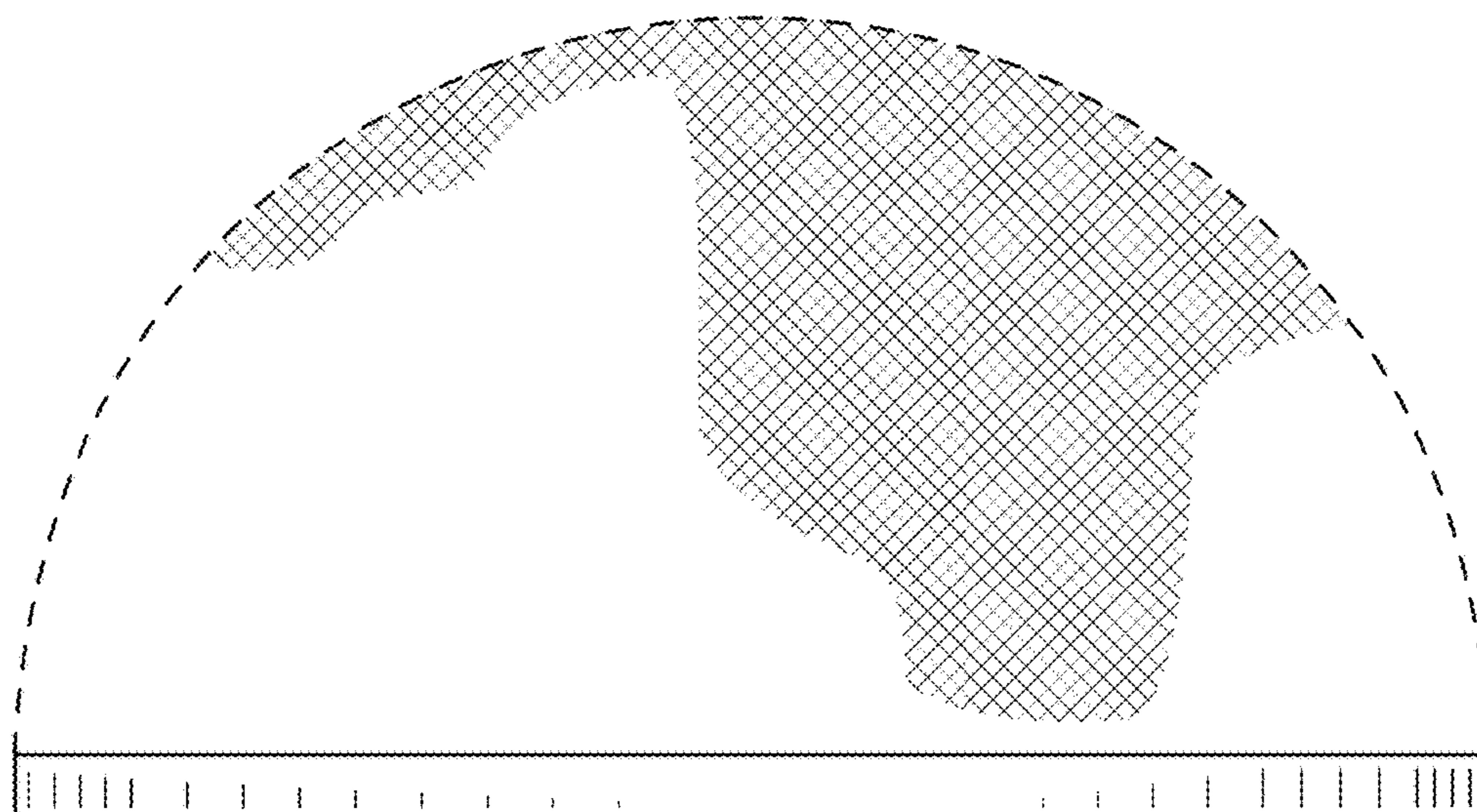


FIG. 5

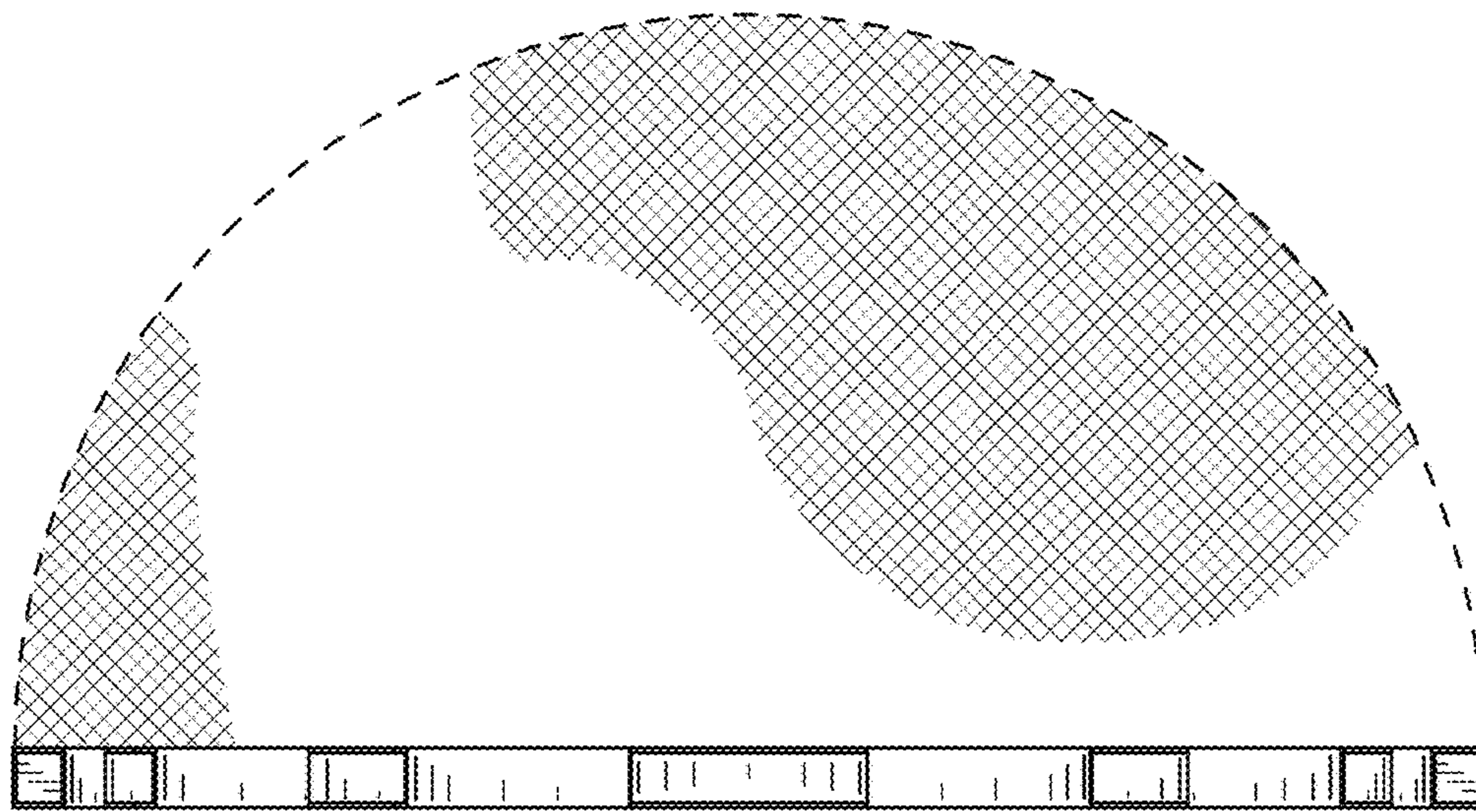


FIG. 6