



US00D798768S

(12) **United States Design Patent** (10) **Patent No.:** **US D798,768 S**
Harris (45) **Date of Patent:** **** Oct. 3, 2017**

(54) **TWIRLING DEVICE** 5,809,607 A 9/1998 Elson et al.
5,904,116 A * 5/1999 Wyner G09F 17/00
116/173
(71) Applicant: **Melissa M. Harris**, Las Vegas, NV
(US) 6,062,521 A 5/2000 Kelley et al.
6,074,266 A 6/2000 Zak
6,108,855 A 8/2000 DeLeon
(72) Inventor: **Melissa M. Harris**, Las Vegas, NV
(US) 6,678,896 B2 1/2004 Robinson et al.
D501,893 S * 2/2005 Puett, III D11/172
7,329,212 B2 * 2/2008 Roque A63B 15/00
482/110
(**) Term: **15 Years** D576,854 S * 9/2008 Aglassinger D8/68
D582,742 S * 12/2008 Aglassinger D8/68
(21) Appl. No.: **29/558,075** D585,330 S * 1/2009 Oas D11/182
D619,398 S 7/2010 Amodei, Jr.
(22) Filed: **Mar. 15, 2016** 8,136,209 B1 * 3/2012 Willison G09F 17/00
16/430

Related U.S. Application Data

(63) Continuation of application No. 13/751,215, filed on Jan. 28, 2013, now abandoned.

(51) **LOC (10) Cl.** **11-05**

(52) **U.S. Cl.**
USPC **D11/182; D8/68**

(58) **Field of Classification Search**

USPC D8/61, 67, 68; D5/9, 21, 30, 41, 99;
D11/165-173, 175-183; D20/11, 19, 36,
D20/41, 42; D21/573; D22/103
CPC . B21J 15/043; B21J 15/22; B21J 15/36; B21J
15/326; G09F 17/00; G09F 7/18; G09F
2017/0075; F41B 7/08

See application file for complete search history.

(56) **References Cited**

U.S. PATENT DOCUMENTS

1,175,566 A 3/1916 Simmons
4,771,478 A 9/1988 Bisagno et al.
4,913,940 A * 4/1990 Pratt G09F 17/00
428/7
5,062,211 A 11/1991 Di Amico
5,205,012 A 4/1993 Coley
5,372,414 A 12/1994 Lamonakis et al.
D382,431 S 8/1997 Parra
5,770,284 A 6/1998 Logemann

9,044,687 B2 * 6/2015 Walker A63H 37/00
D743,839 S * 11/2015 Pilok D11/181
2003/0200683 A1 10/2003 Gailen
(Continued)

Primary Examiner — Darlington Ly

(74) *Attorney, Agent, or Firm* — Robert C. Montgomery;
Montgomery Patent and Design, LP.

(57) **CLAIM**

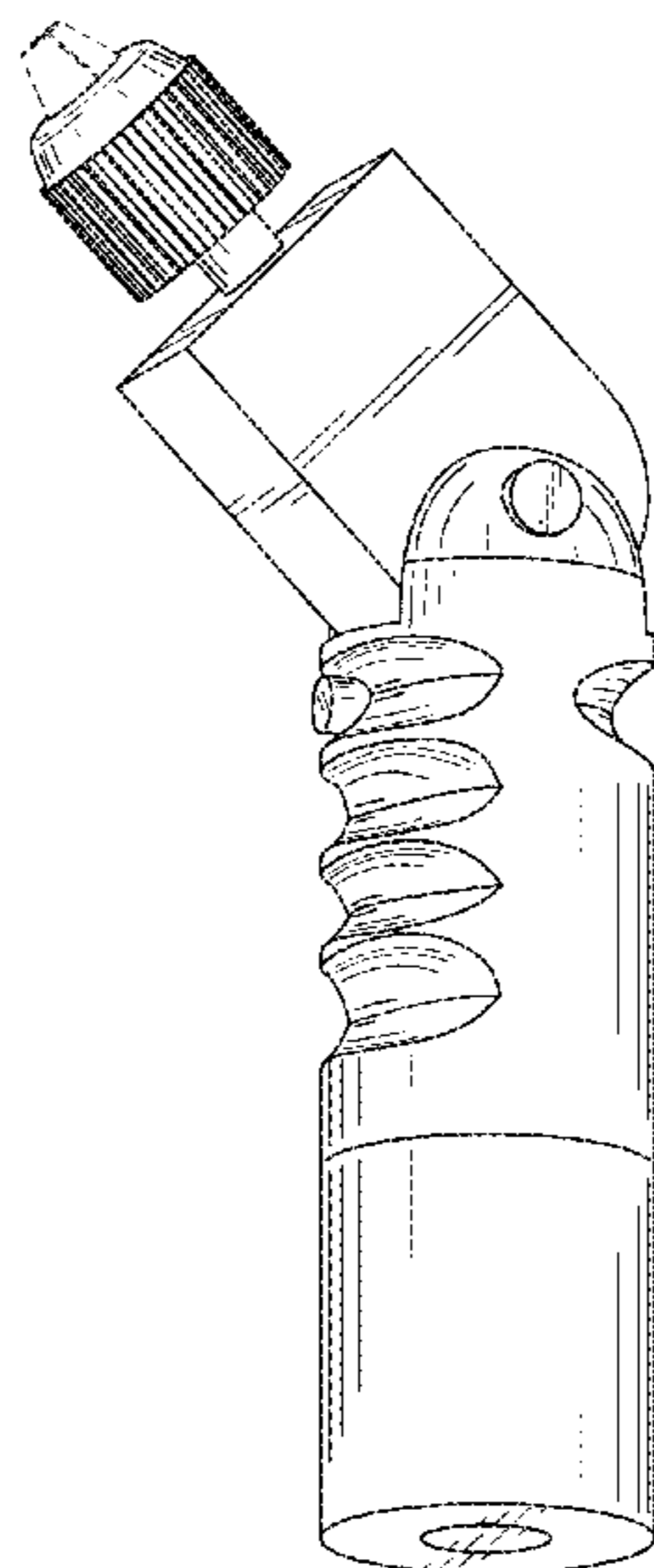
The ornamental design for a twirling device, as shown and described.

DESCRIPTION

FIG. 1 is a top, front, and side perspective view of a twirling device showing my new design;
FIG. 2 is a front elevation view thereof;
FIG. 3 is a rear elevation view thereof;
FIG. 4 is a left side elevation view thereof, to which the right side elevation view is a mirror image;
FIG. 5 is a top plan view thereof; and,
FIG. 6 is a bottom plan view thereof.

The broken lines in the drawings are included for the purpose of illustrating portions of the twirling device that form no part of the claimed design.

1 Claim, 6 Drawing Sheets



(56)

References Cited

U.S. PATENT DOCUMENTS

2005/0098084	A1	5/2005	Puett, III	
2011/0028065	A1*	2/2011	Arcovio	A63H 37/00 446/242
2011/0173851	A1*	7/2011	Cohen	G09F 19/02 40/218
2013/0205625	A1*	8/2013	Pilok	G09F 17/00 40/218

* cited by examiner

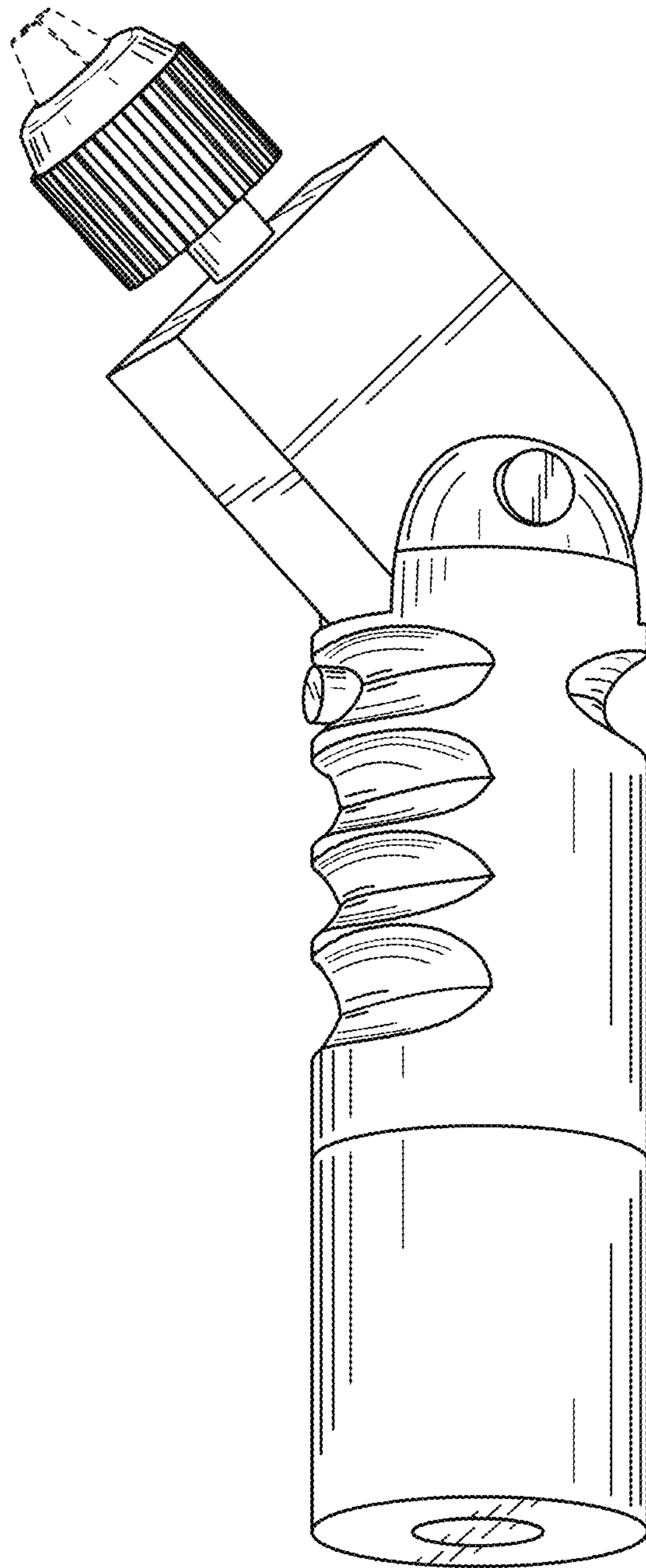


FIG. 1

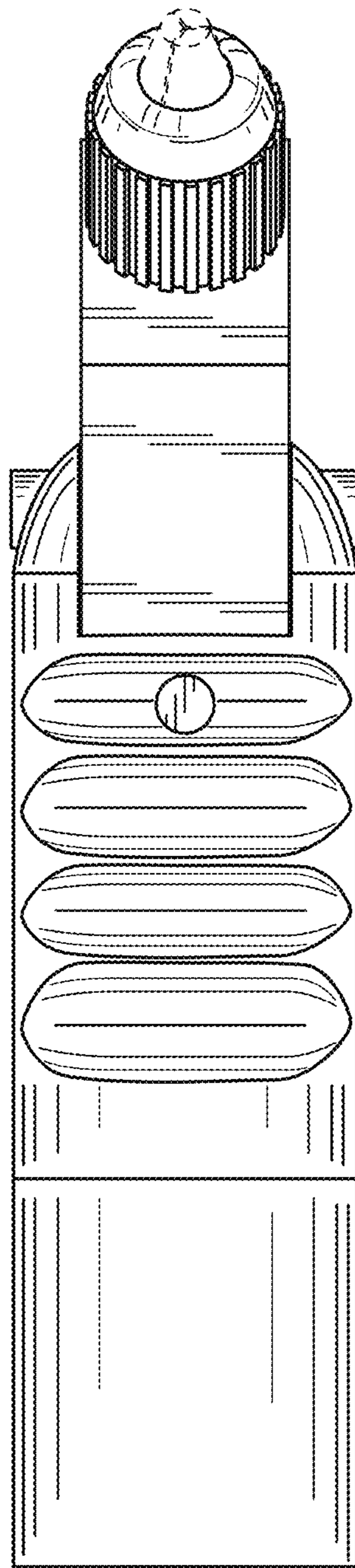


FIG. 2

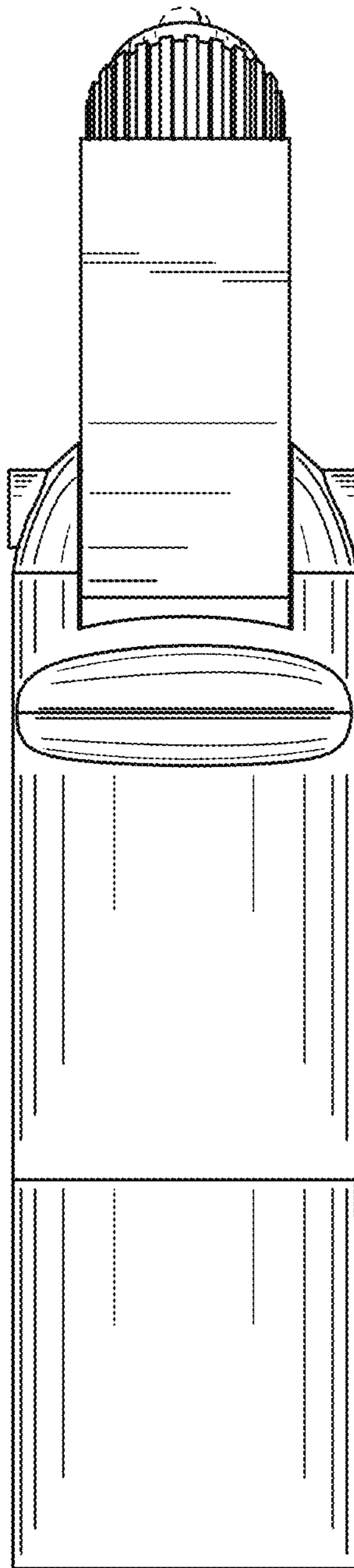


FIG. 3

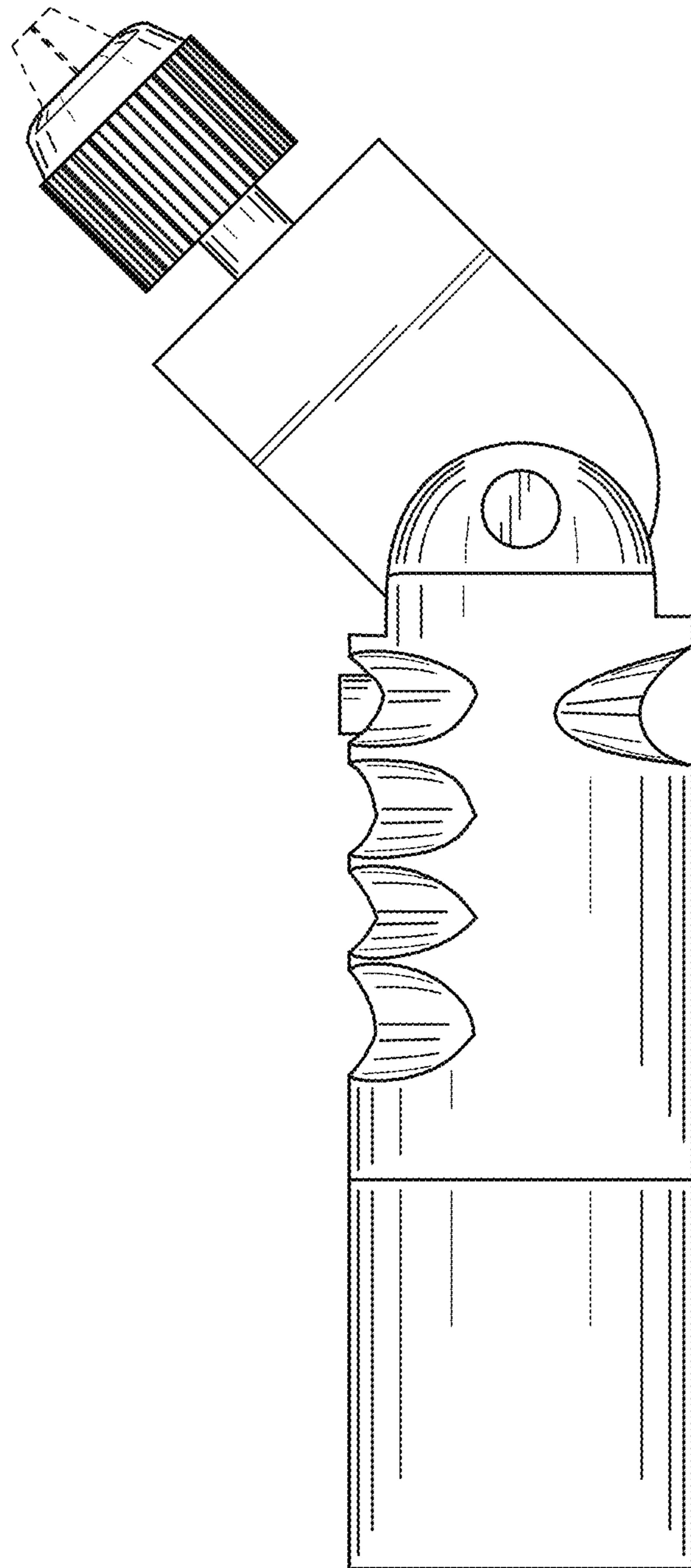


FIG. 4

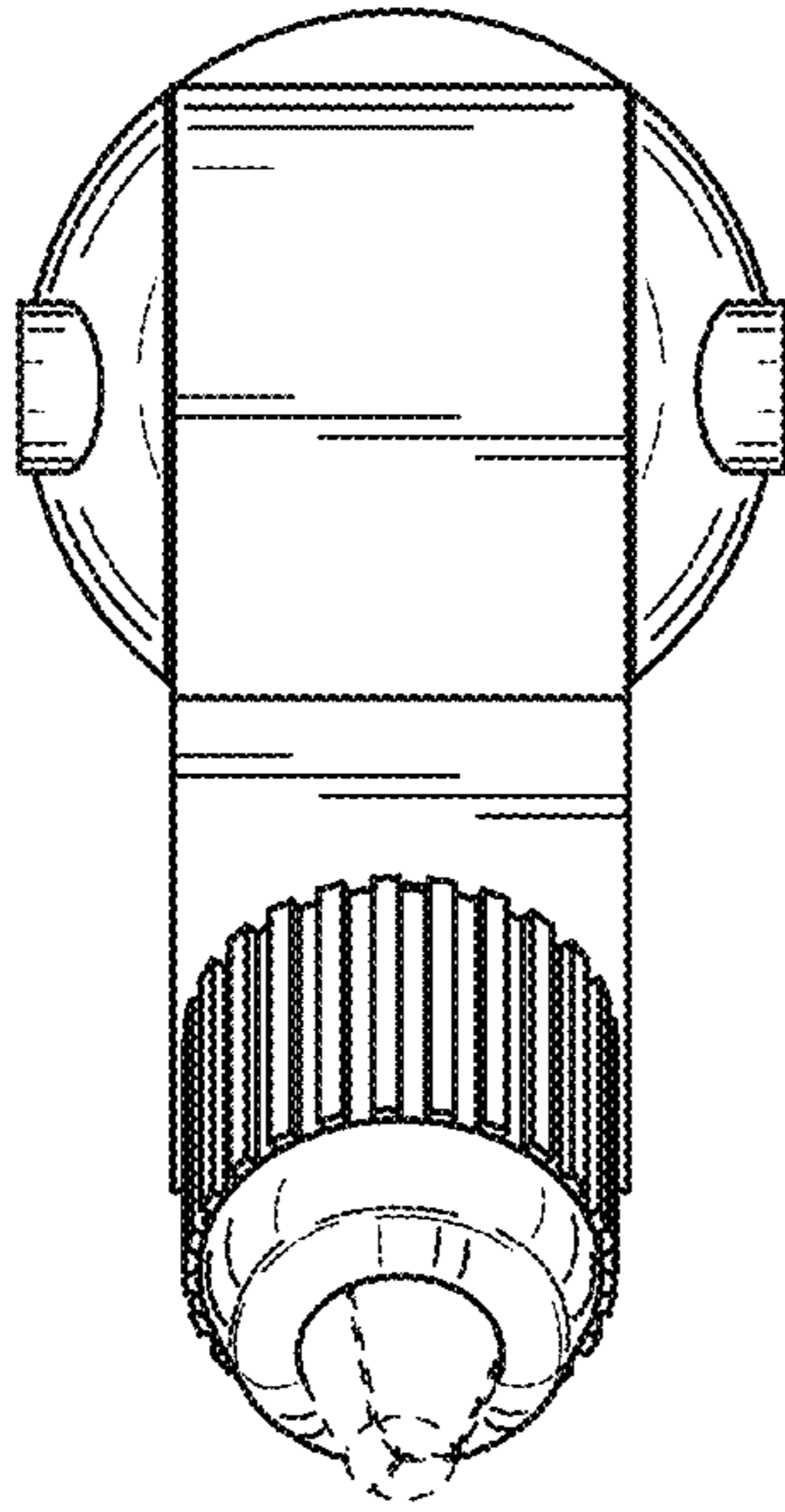


FIG. 5

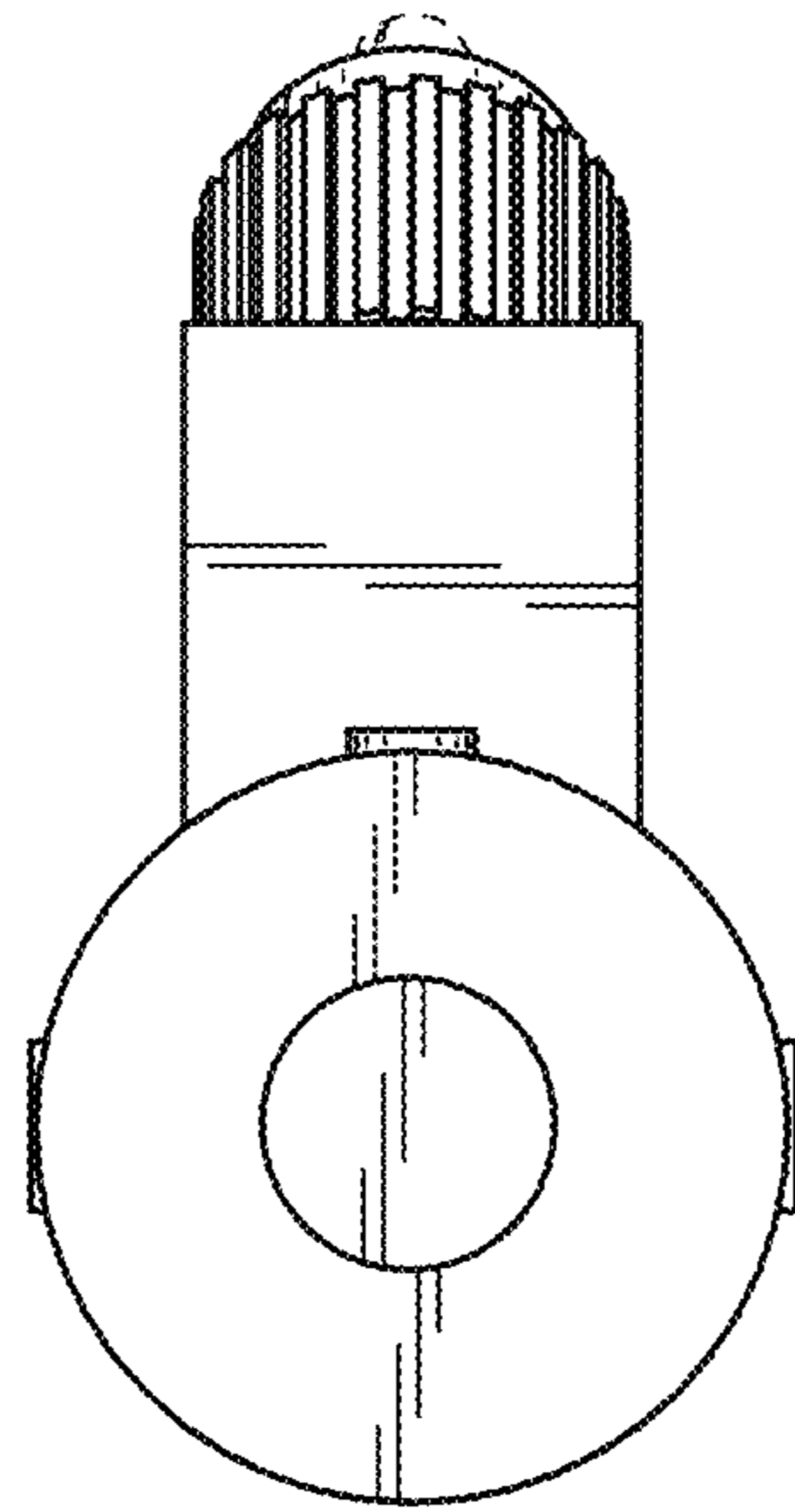


FIG. 6