



US00D798764S

(12) **United States Design Patent** (10) **Patent No.:** **US D798,764 S**  
**Lin et al.** (45) **Date of Patent:** **\*\* Oct. 3, 2017**

(54) **LINK FOR WEARABLE ARTICLE**

(71) Applicants: **Tsai-Yu Lin**, Taipei (TW); **Jyh-Chyang Tzou**, Taipei (TW); **Hsin Yeh**, Taipei (TW); **Yuan-Ping Chu**, Taipei (TW); **Yao-Tsung Yeh**, Taipei (TW)

(72) Inventors: **Tsai-Yu Lin**, Taipei (TW); **Jyh-Chyang Tzou**, Taipei (TW); **Hsin Yeh**, Taipei (TW); **Yuan-Ping Chu**, Taipei (TW); **Yao-Tsung Yeh**, Taipei (TW)

(73) Assignee: **COMPAL ELECTRONICS, INC.**, Taipei (TW)

(\*\*) Term: **15 Years**

(21) Appl. No.: **29/552,407**

(22) Filed: **Jan. 21, 2016**

(51) **LOC (10) Cl.** ..... **11-01**

(52) **U.S. Cl.**  
USPC ..... **D11/93**

(58) **Field of Classification Search**  
USPC ..... D11/1-25, 32, 93, 94; 63/1.11, 3, 3.1, 63/3.2, 5.1, 5.2, 7-11; 59/78, 79.2; 224/175; D10/30-32

(Continued)

(56) **References Cited**

**U.S. PATENT DOCUMENTS**

D158,392 S \* 5/1950 Laufer ..... D11/87  
2,527,442 A \* 10/1950 Odegaard ..... F16L 3/1236  
174/159

(Continued)

*Primary Examiner* — Zenia Bennett

(74) *Attorney, Agent, or Firm* — Jianq Chyun IP Office

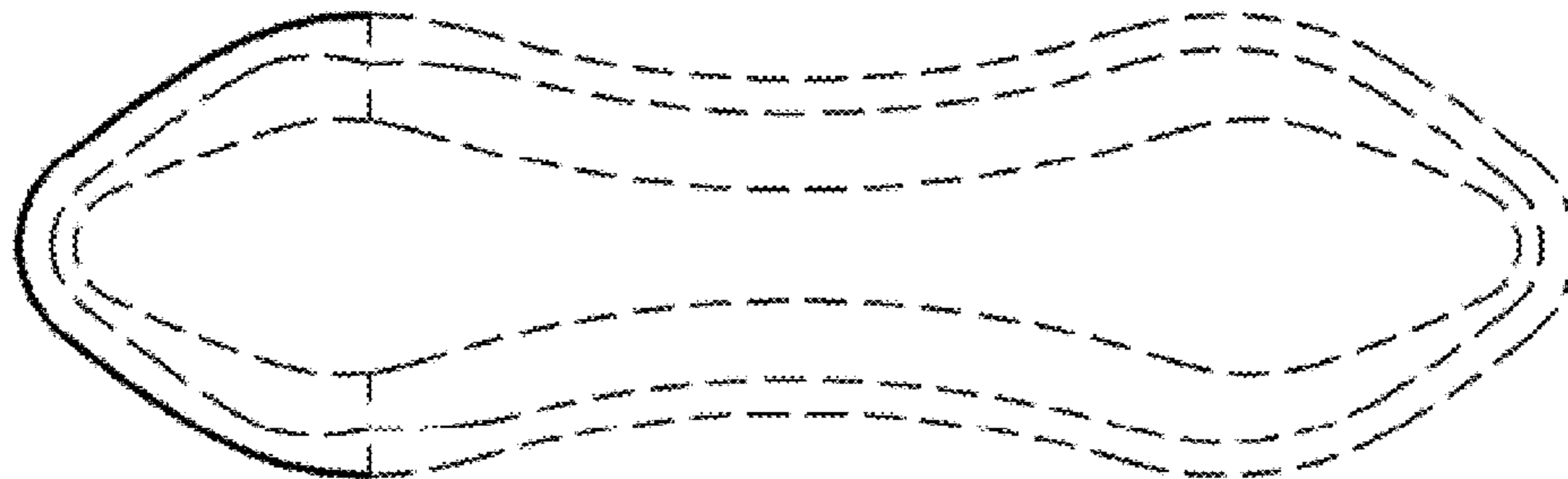
(57) **CLAIM**

The ornamental design for a link for wearable article, as shown and described.

**DESCRIPTION**

FIG. 1 is a perspective view of a link for wearable article showing a first embodiment of our new design; FIG. 2 is a front view of the first embodiment; FIG. 3 is a rear view of the first embodiment; FIG. 4 is a left side view of the first embodiment; FIG. 5 is a right side view of the first embodiment; FIG. 6 is a top view of the first embodiment; FIG. 7 is a bottom view of the first embodiment; FIG. 8 is a perspective view of a link for wearable article showing a second embodiment of our new design; FIG. 9 is a front view of the second embodiment; FIG. 10 is a rear view of the second embodiment; FIG. 11 is a left side view of the second embodiment; FIG. 12 is a right side view of the second embodiment; FIG. 13 is a top view of the second embodiment; FIG. 14 is a bottom view of the second embodiment; FIG. 15 is a perspective view of a link for wearable article showing a third embodiment of our new design; FIG. 16 is a front view of the third embodiment; FIG. 17 is a rear view of the third embodiment; FIG. 18 is a left side view of the third embodiment; FIG. 19 is a right side view of the third embodiment; FIG. 20 is a top view of the third embodiment; FIG. 21 is a bottom view of the third embodiment; FIG. 22 is a perspective view of a link for wearable article showing a fourth embodiment of our new design; FIG. 23 is a front view of the fourth embodiment; FIG. 24 is a rear view of the fourth embodiment; FIG. 25 is a left side view of the fourth embodiment; FIG. 26 is a right side view of the fourth embodiment; FIG. 27 is a top view of the fourth embodiment; and, FIG. 28 is a bottom view of the fourth embodiment. The dashed lines illustrating portions of the link for wearable article represent unclaimed portions of the claimed design and form no part thereof. The dot-dashed lines define boundaries of the claimed design and form no part thereof.

**1 Claim, 16 Drawing Sheets**



(58) **Field of Classification Search**

CPC ..... A44C 5/00; A44C 5/0084; A44C 5/102;  
A44C 5/105; A44C 5/107; A44C 5/185

See application file for complete search history.

(56) **References Cited**

U.S. PATENT DOCUMENTS

3,237,326 A \* 3/1966 Naffin ..... A44C 3/001  
24/67.3  
D244,673 S \* 6/1977 Little ..... D11/87  
D358,114 S \* 5/1995 Botsford ..... D11/200  
D371,525 S \* 7/1996 Ryan ..... D11/231  
D380,587 S \* 7/1997 Ryan ..... D2/627  
8,196,267 B2 \* 6/2012 Nalley ..... A44C 5/24  
24/265 WS  
9,635,911 B2 \* 5/2017 Moille ..... A44C 5/185

\* cited by examiner

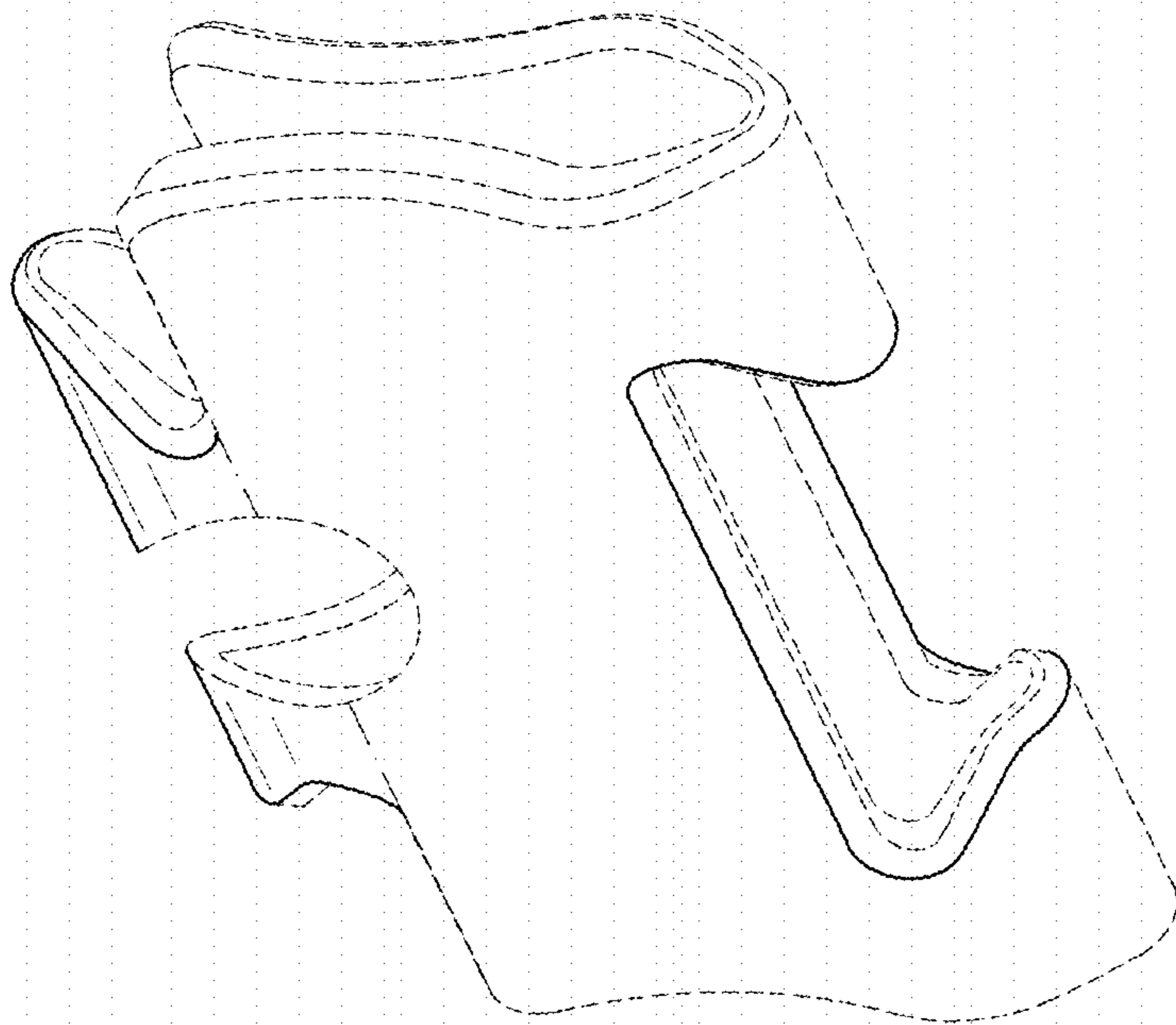


FIG. 1

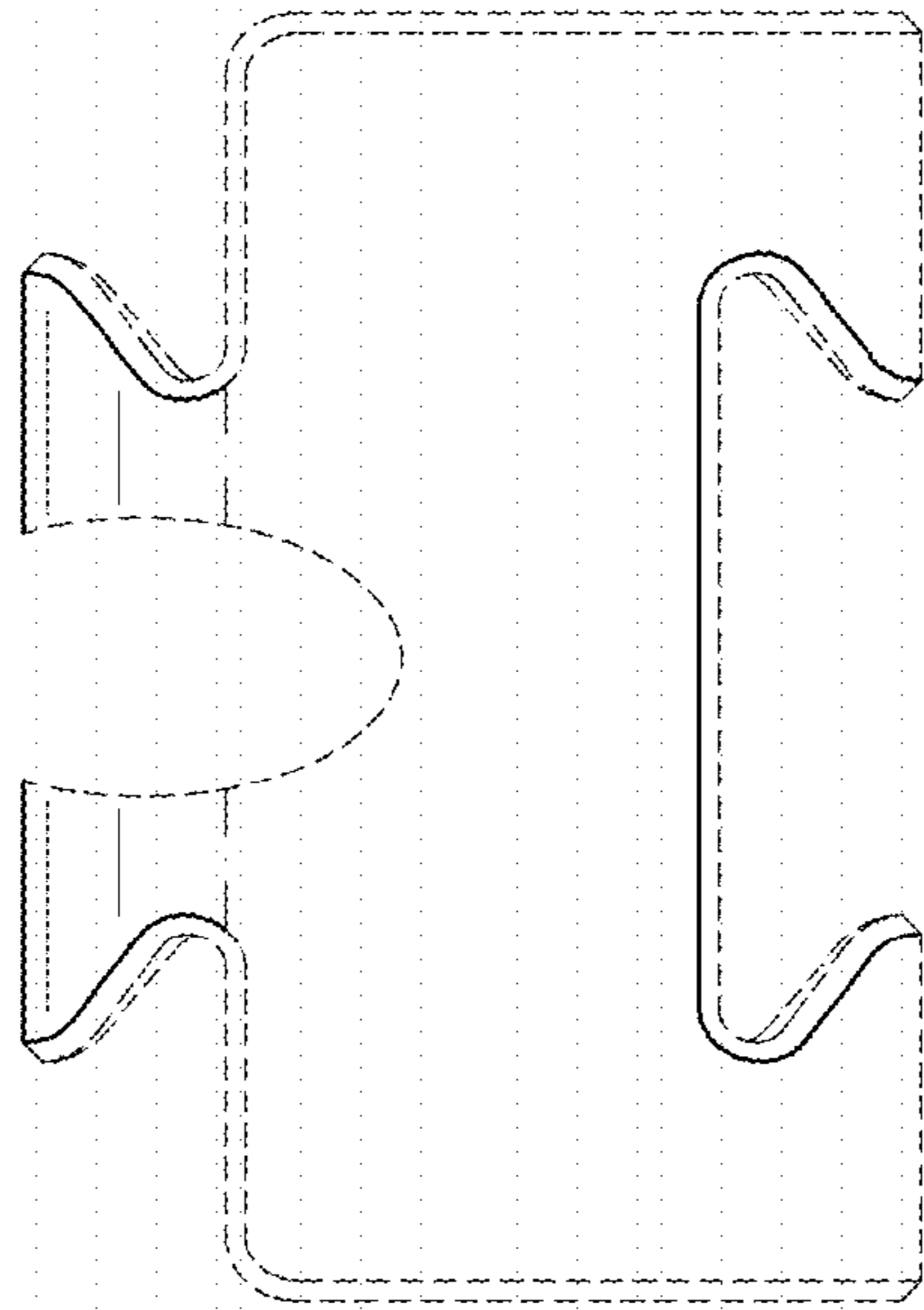


FIG. 2

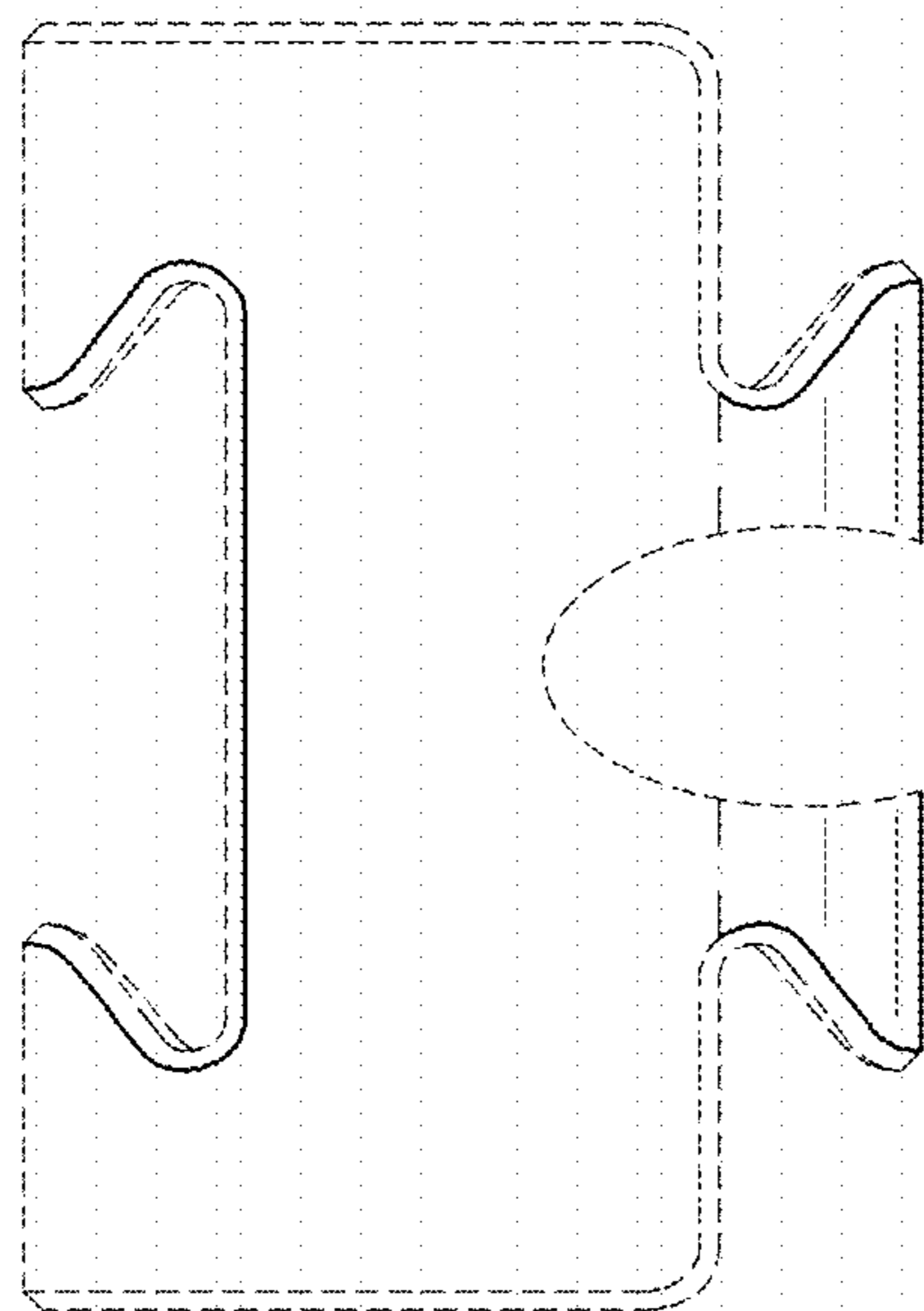


FIG. 3

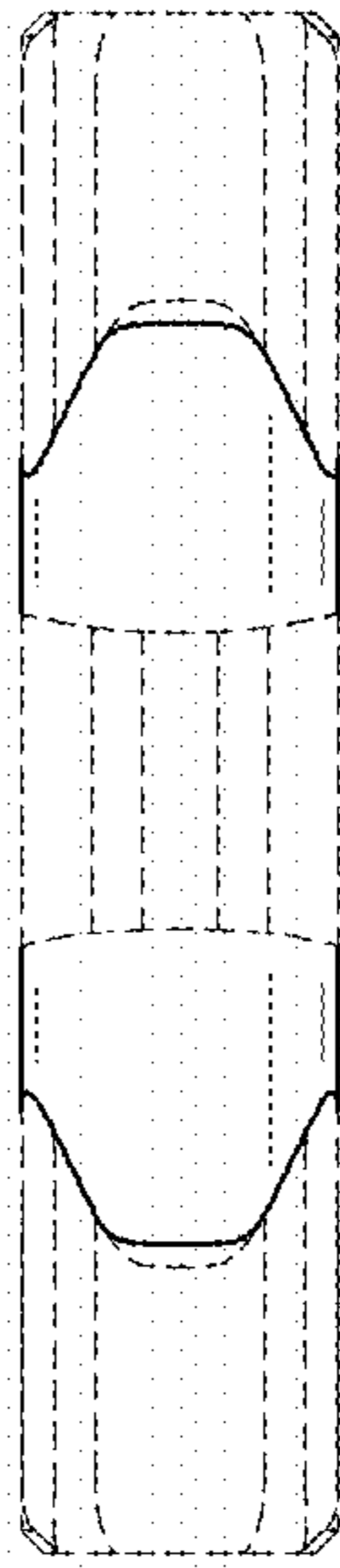


FIG. 4

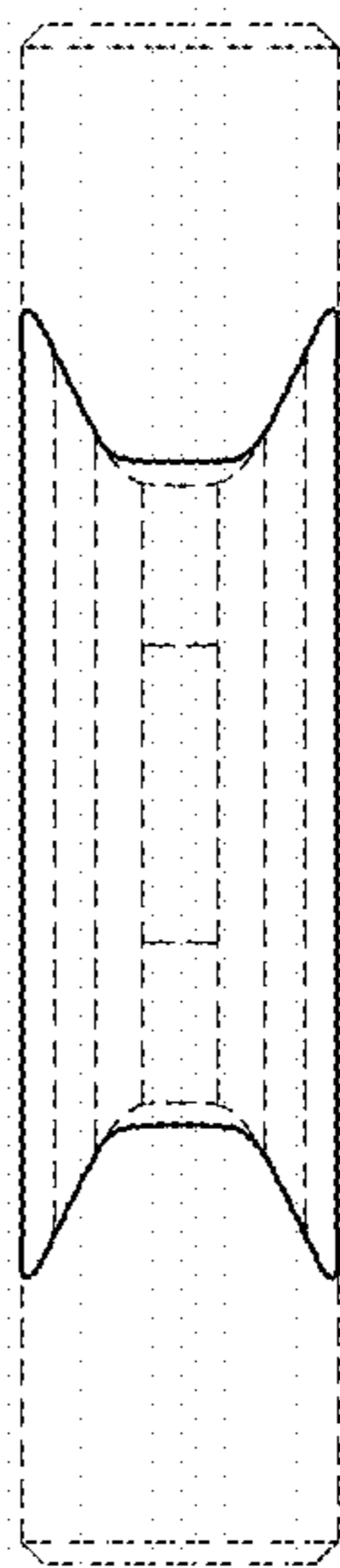
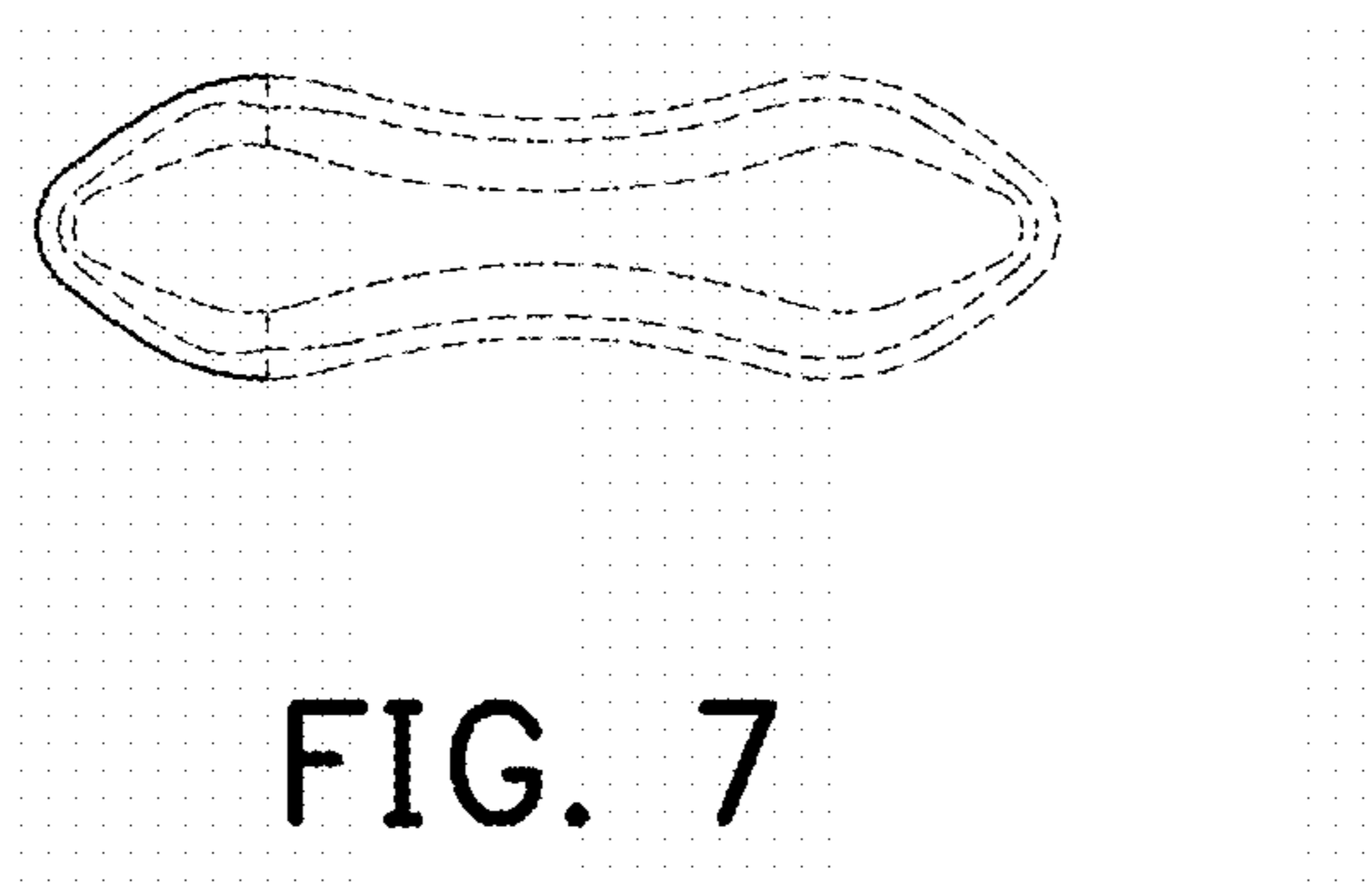
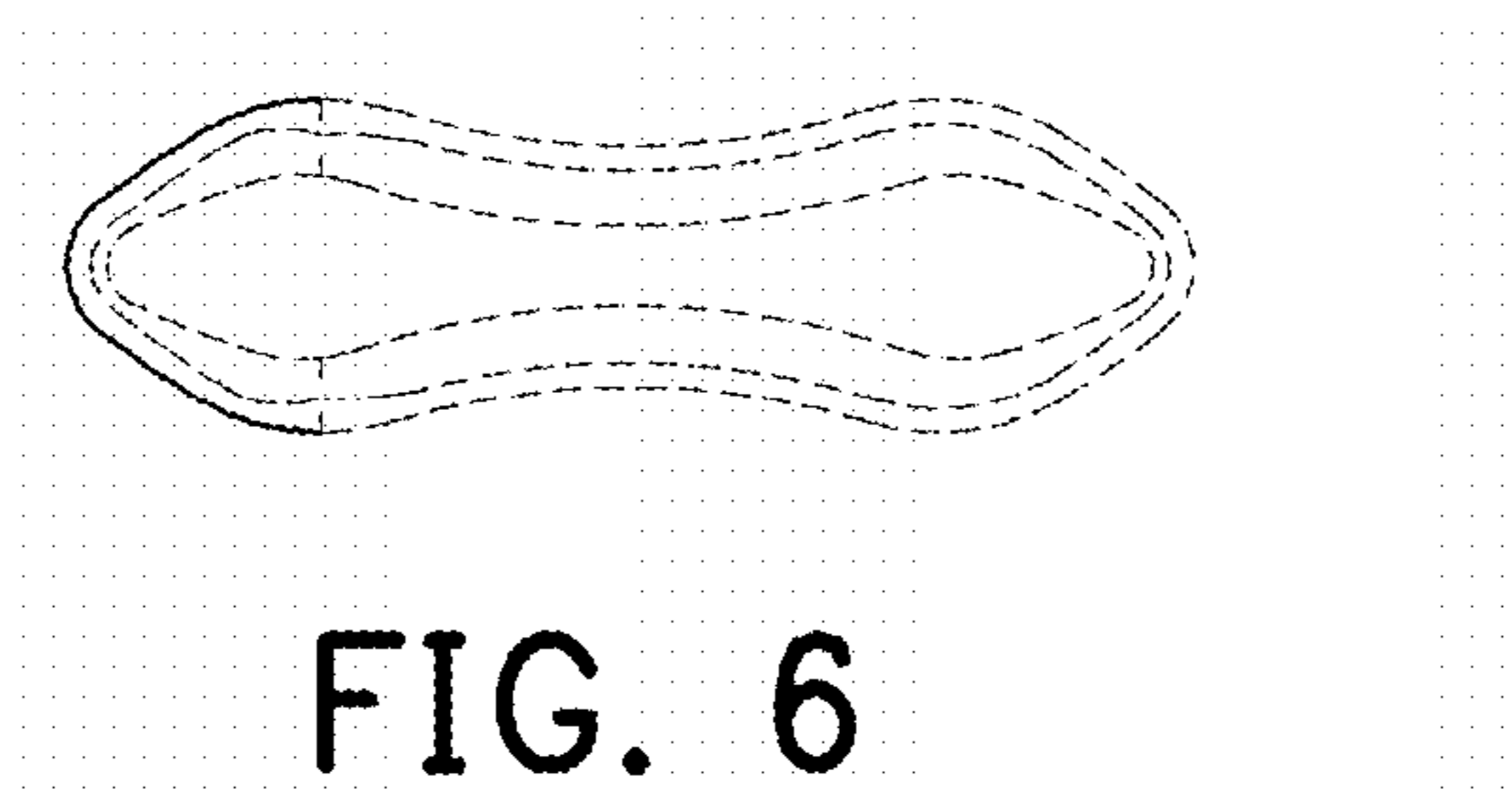


FIG. 5



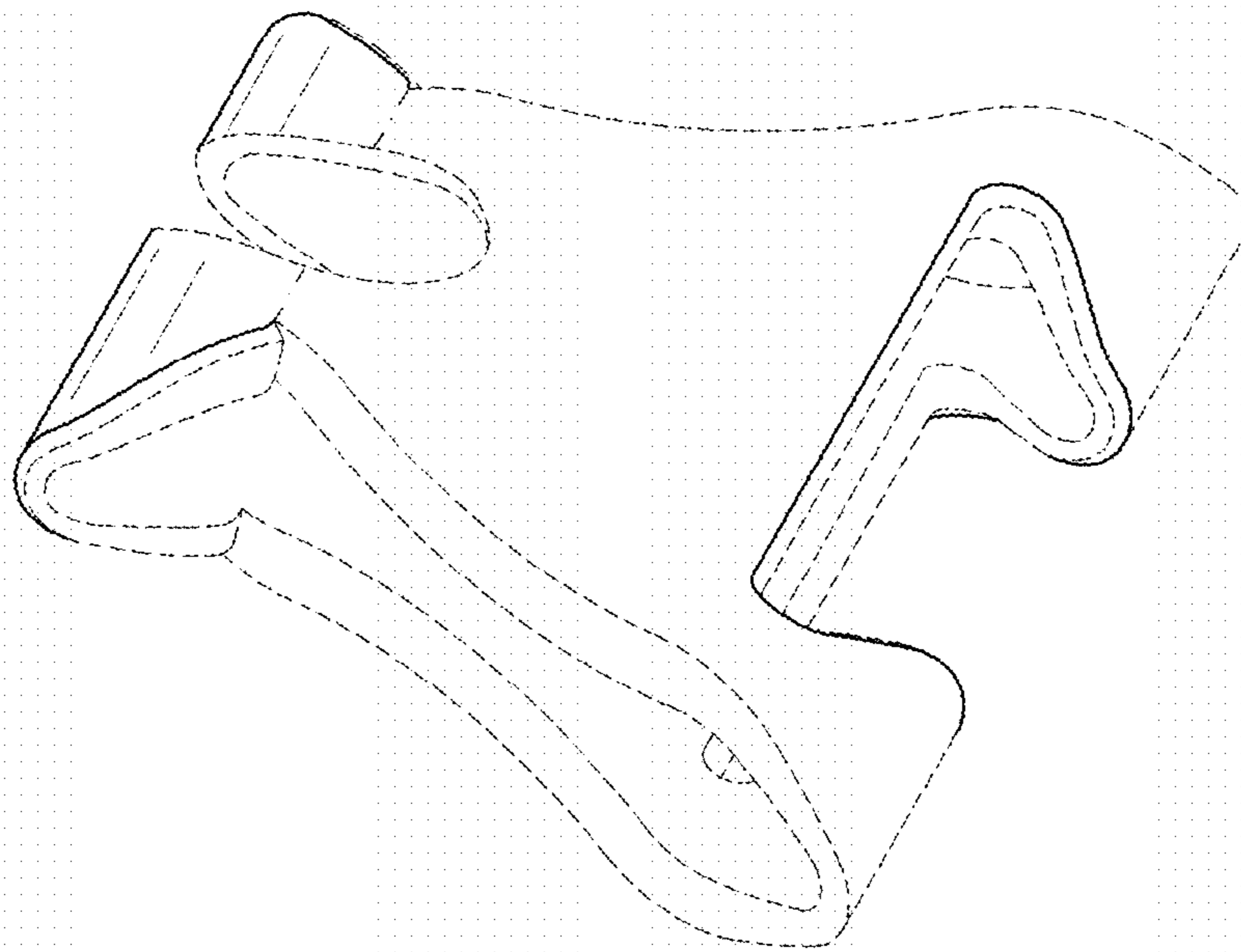


FIG. 8

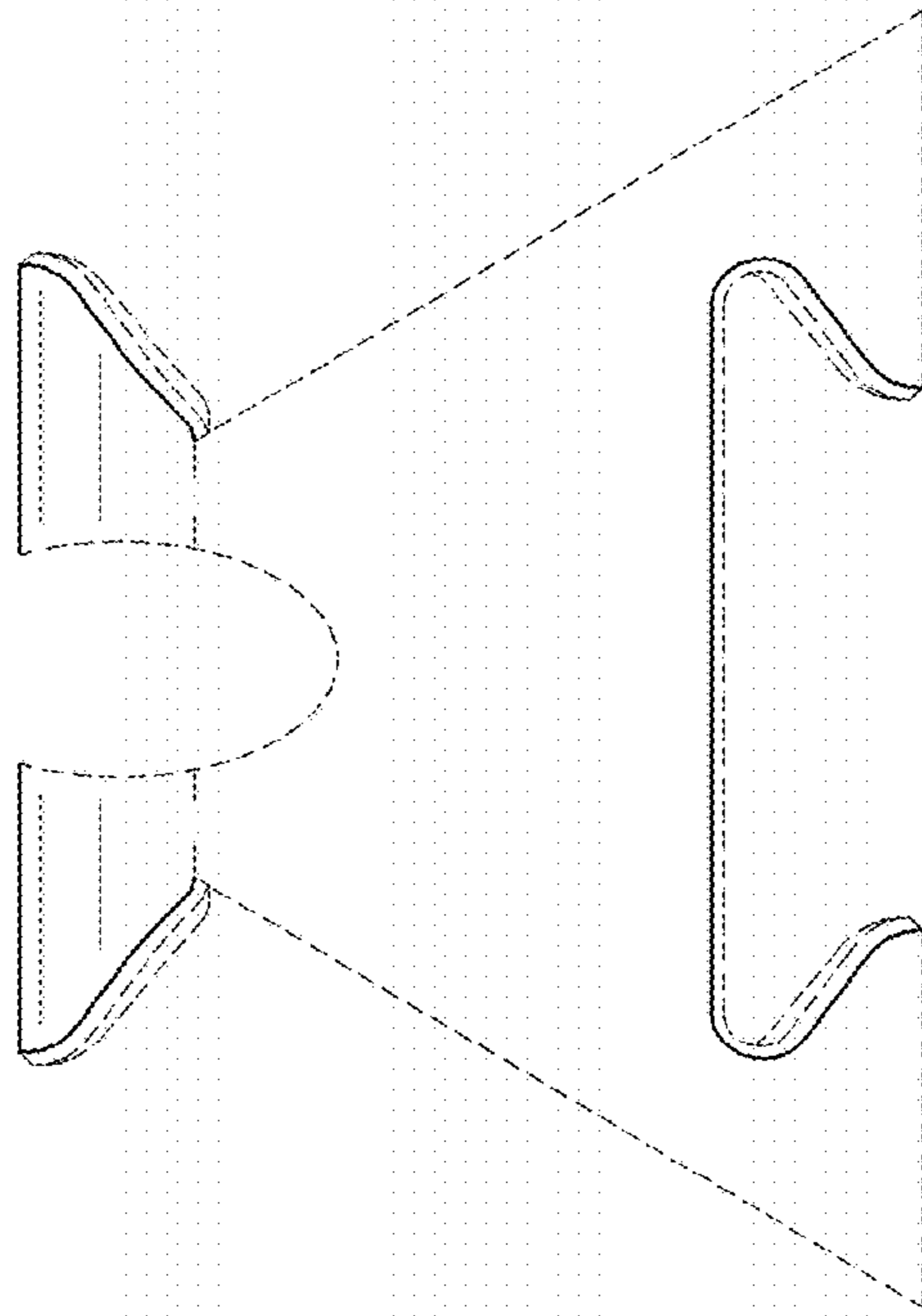


FIG. 9

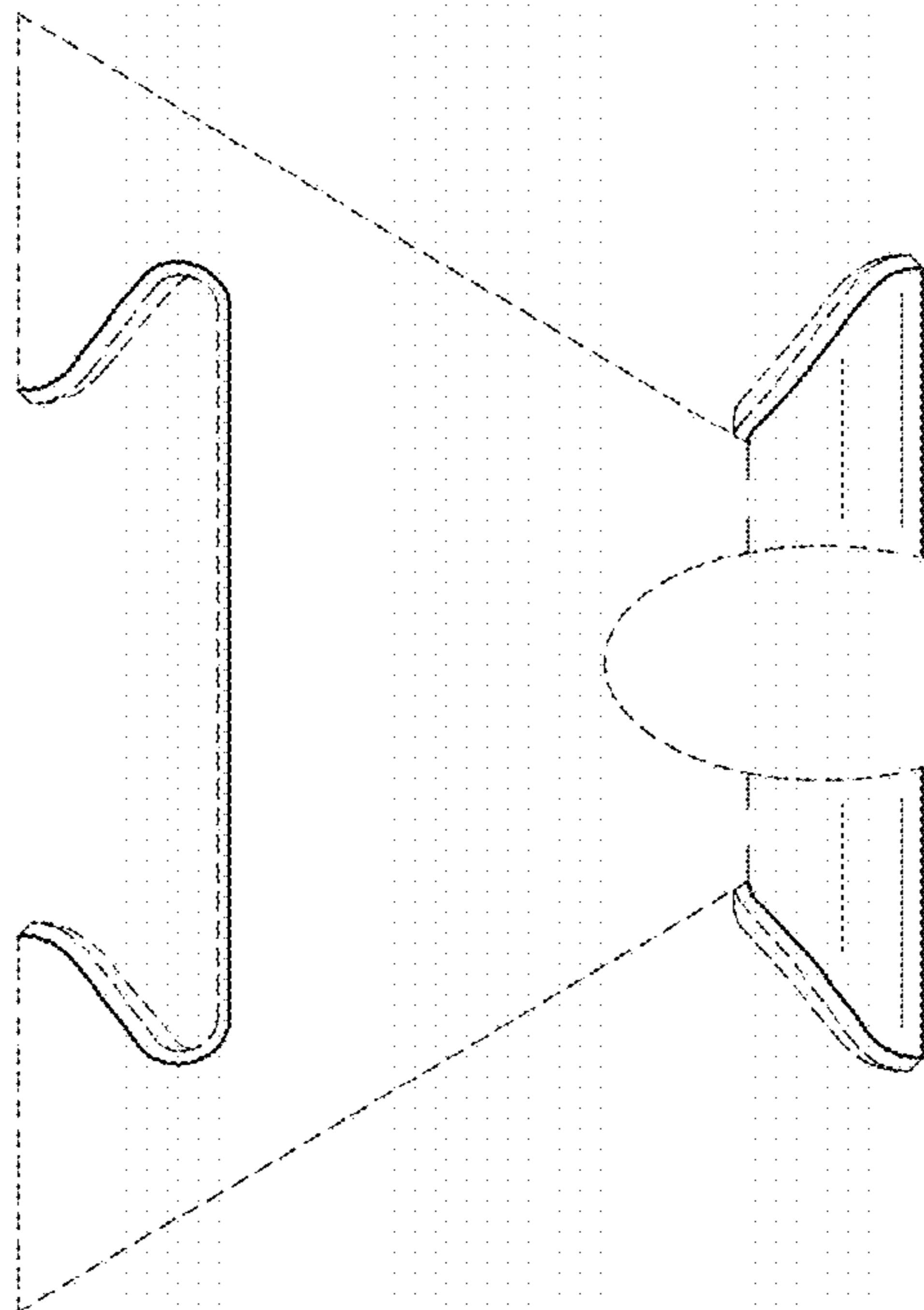


FIG. 10



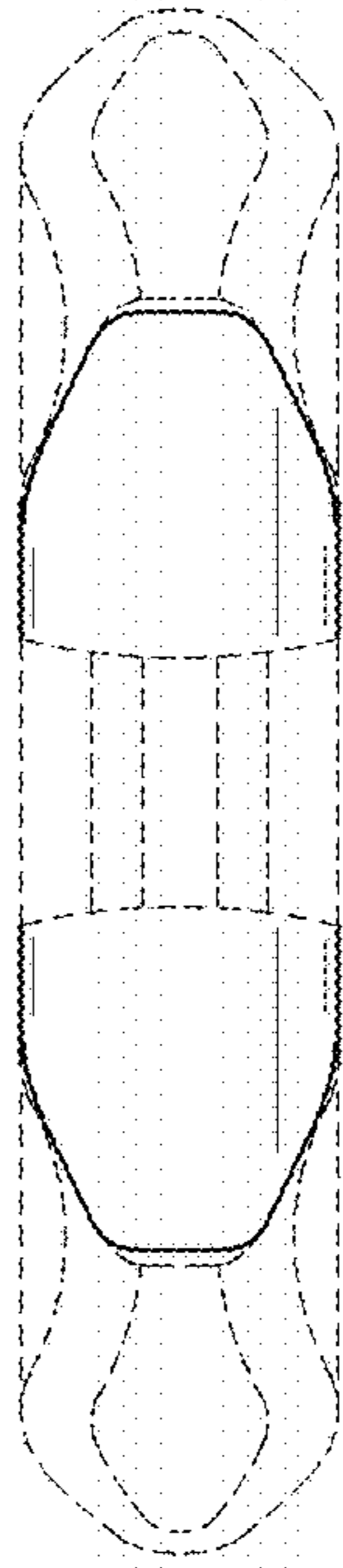


FIG. 11

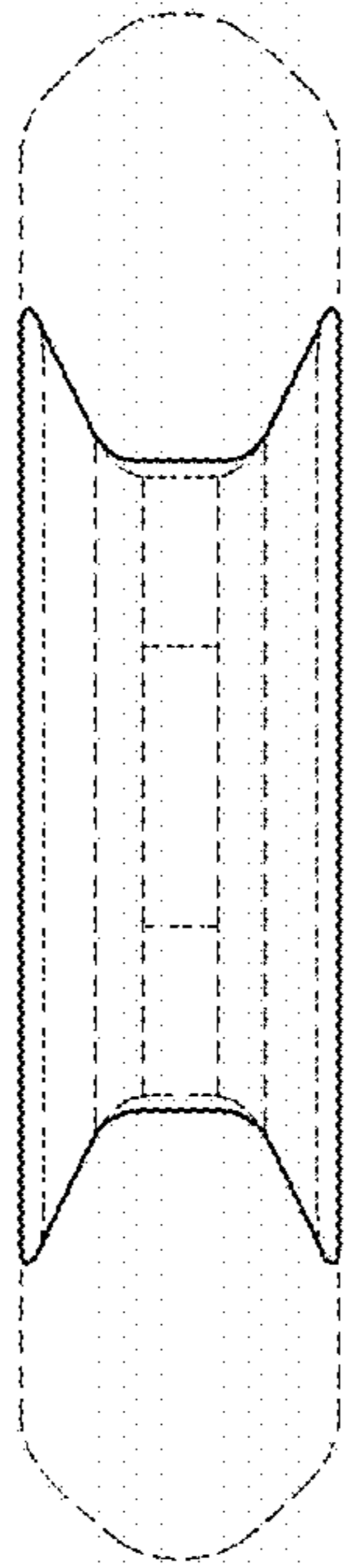


FIG. 12

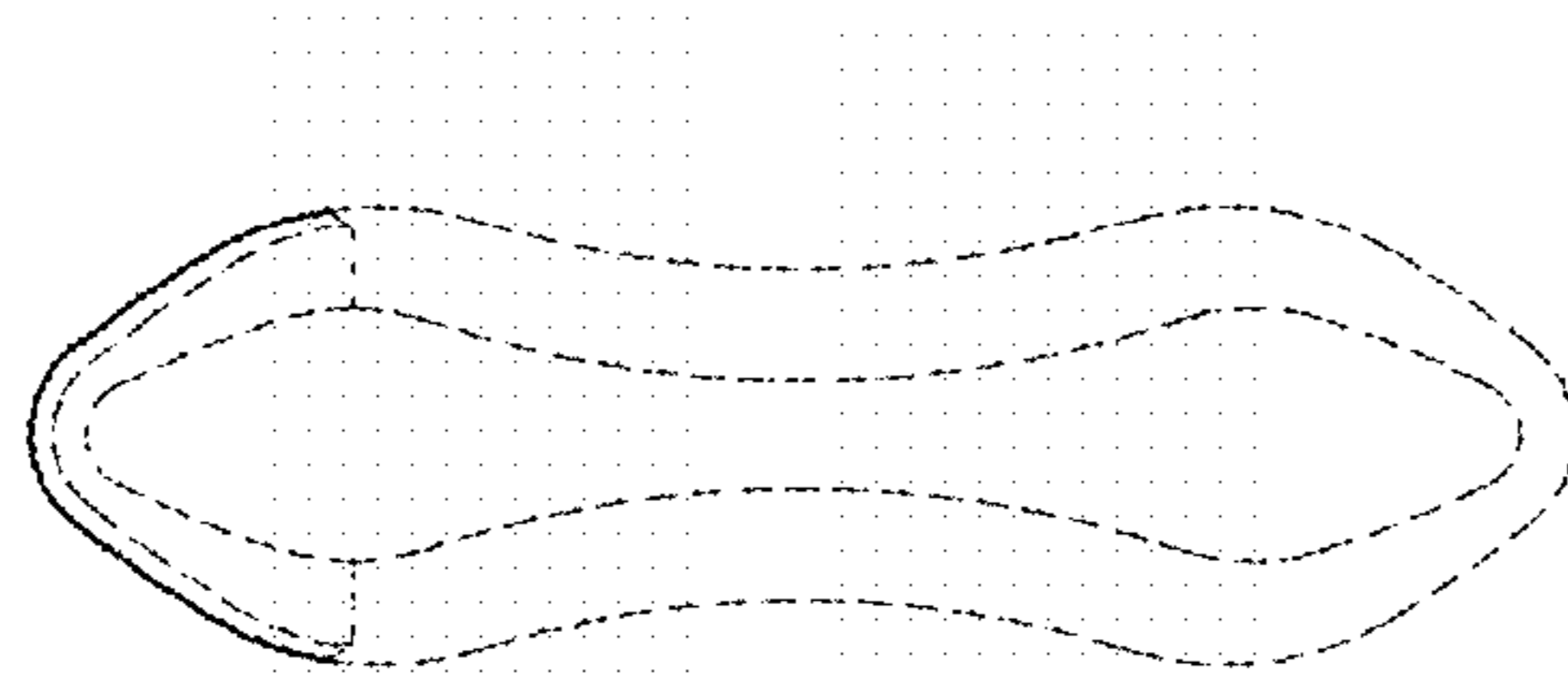


FIG. 13

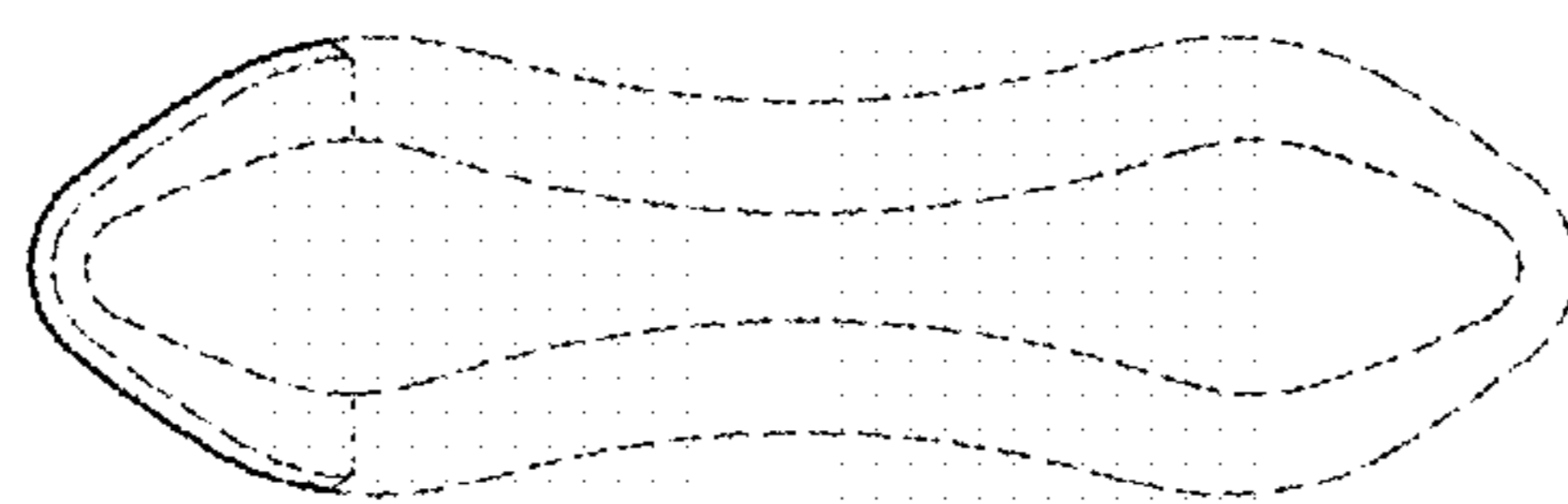


FIG. 14

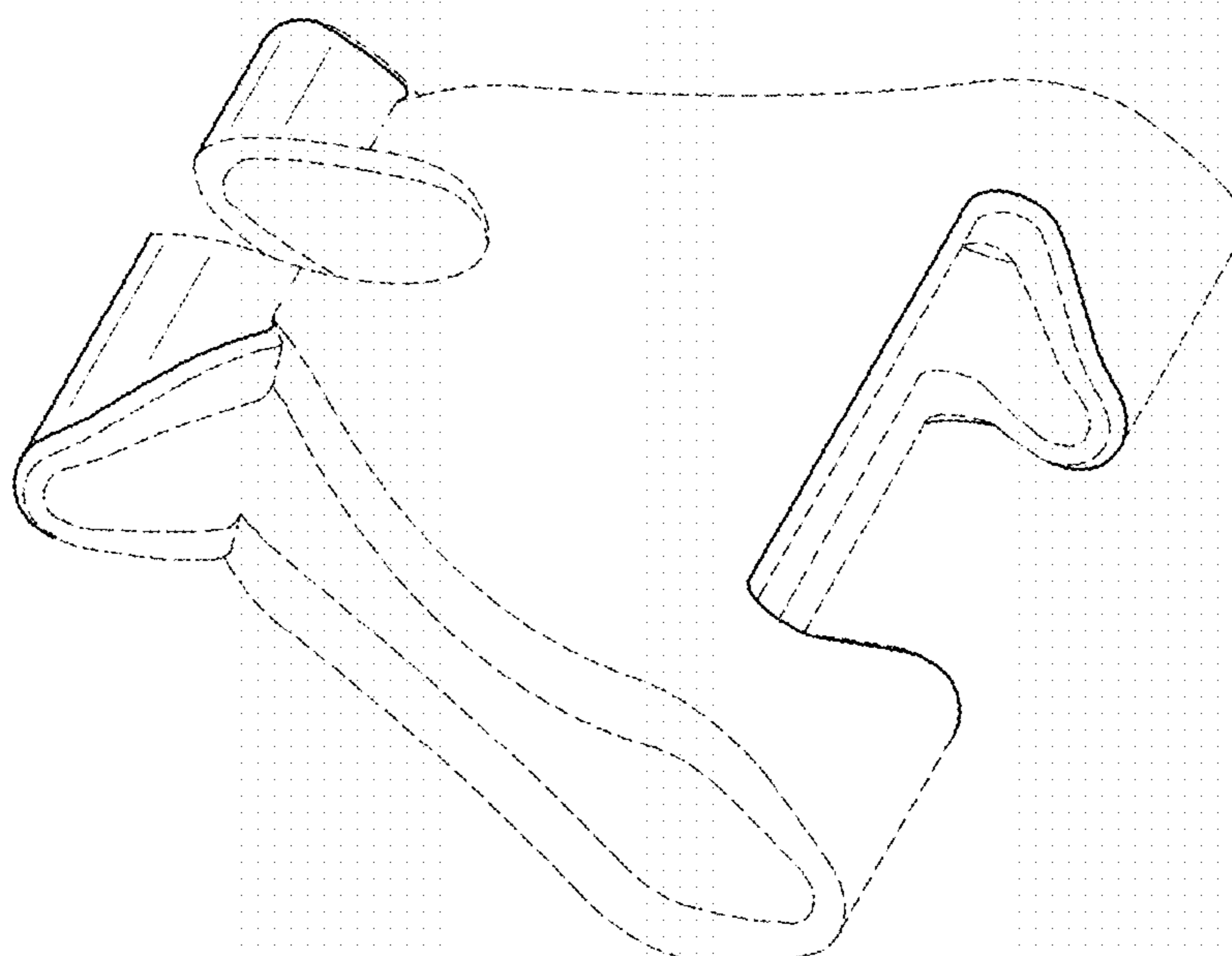


FIG. 15

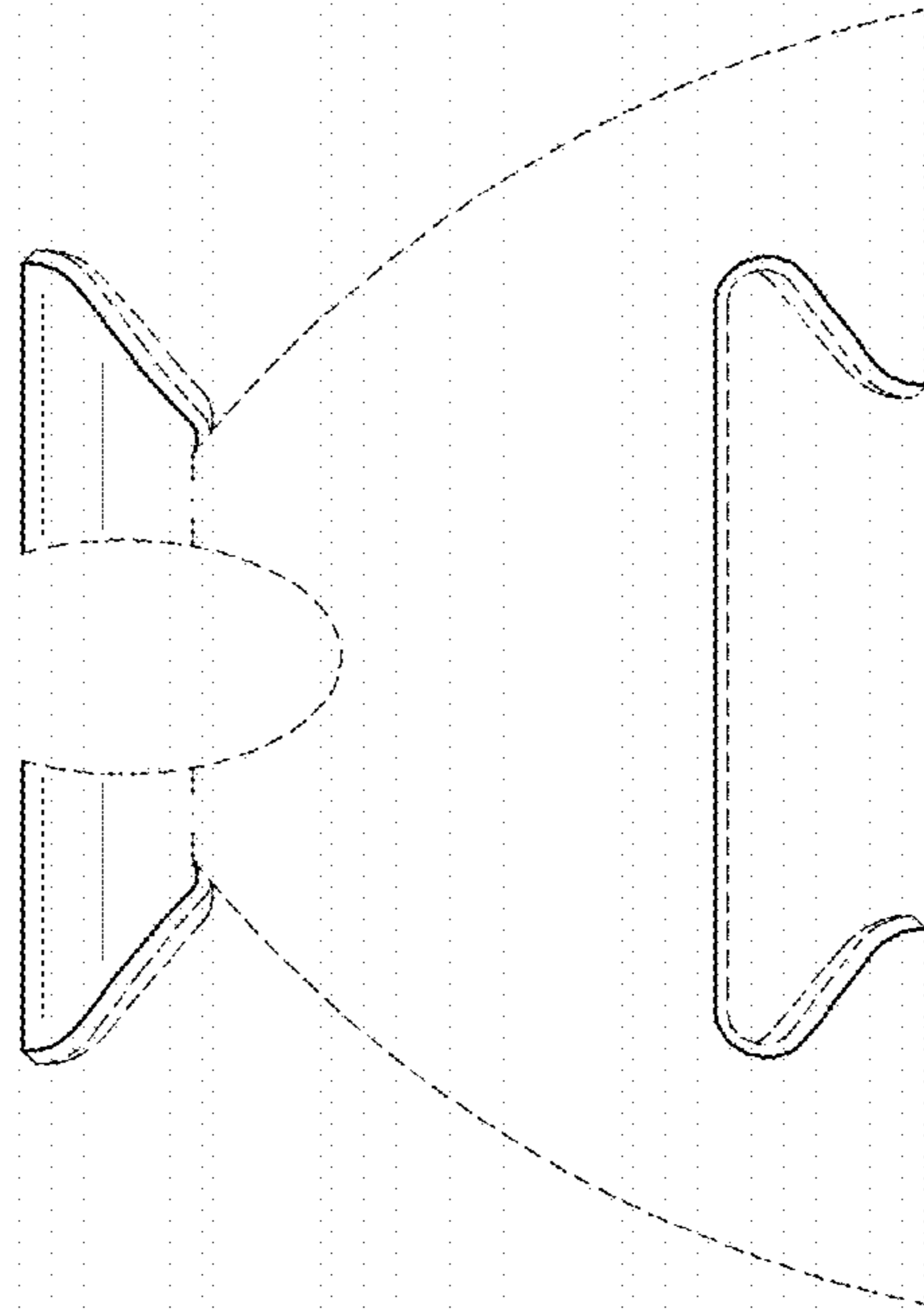


FIG. 16

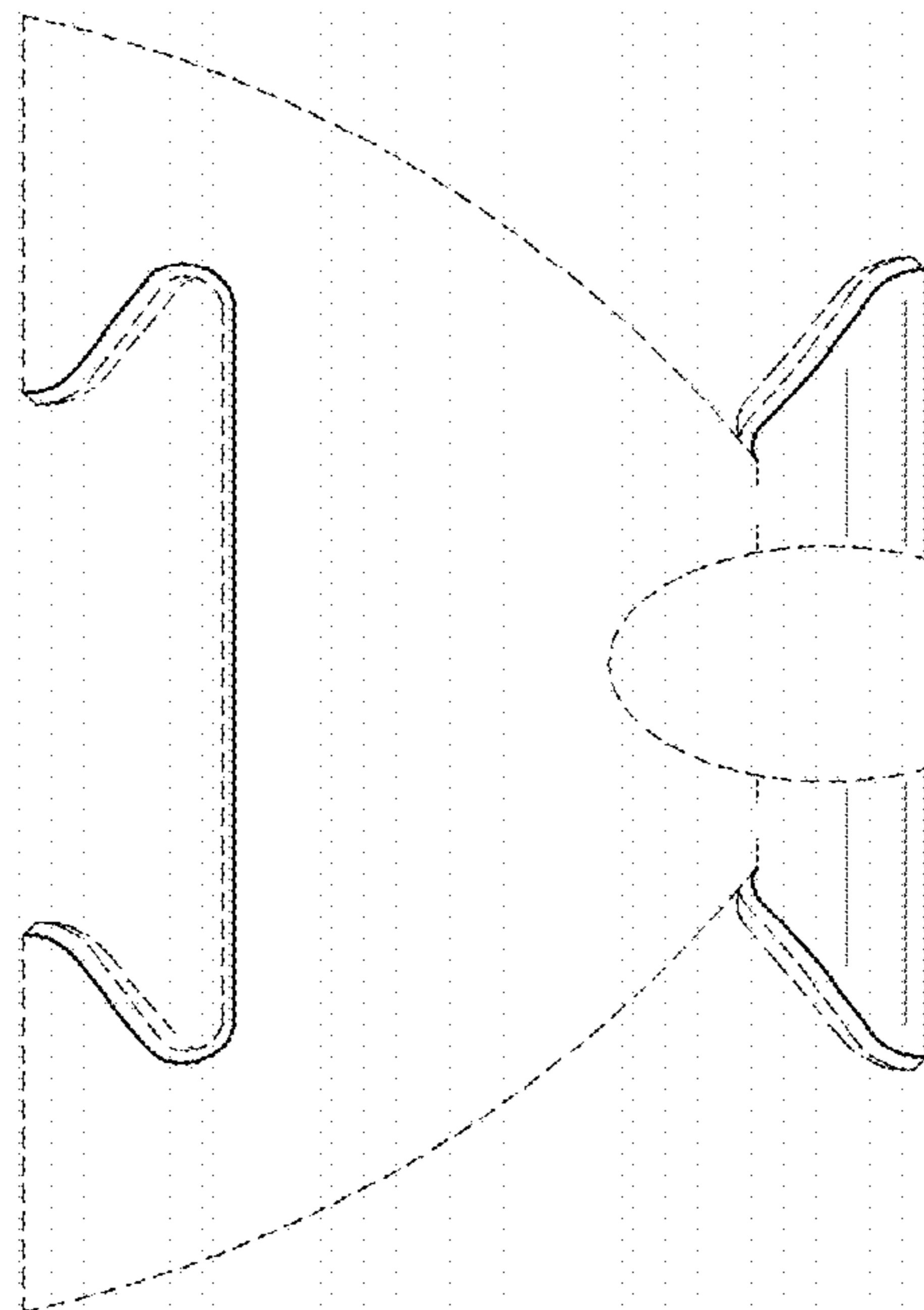


FIG. 17

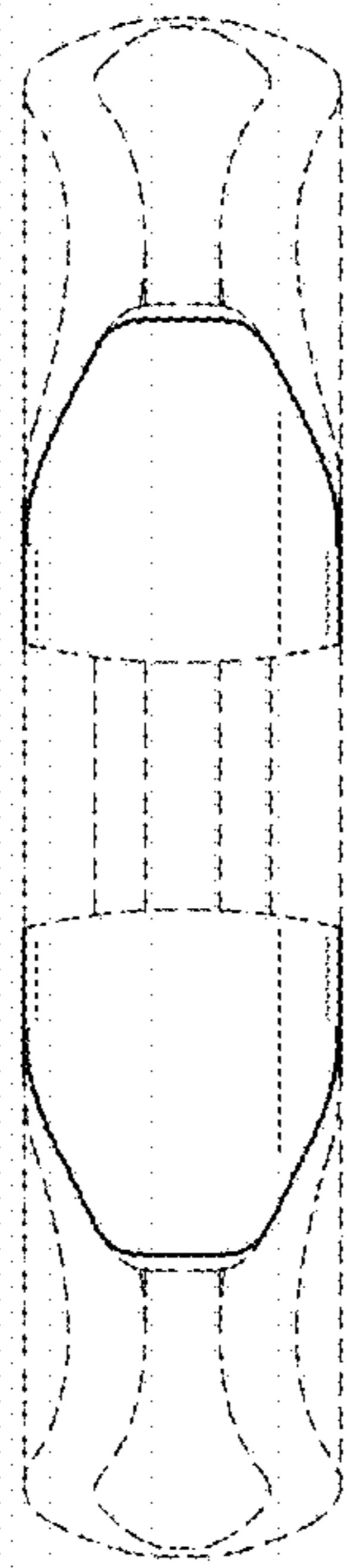


FIG. 18

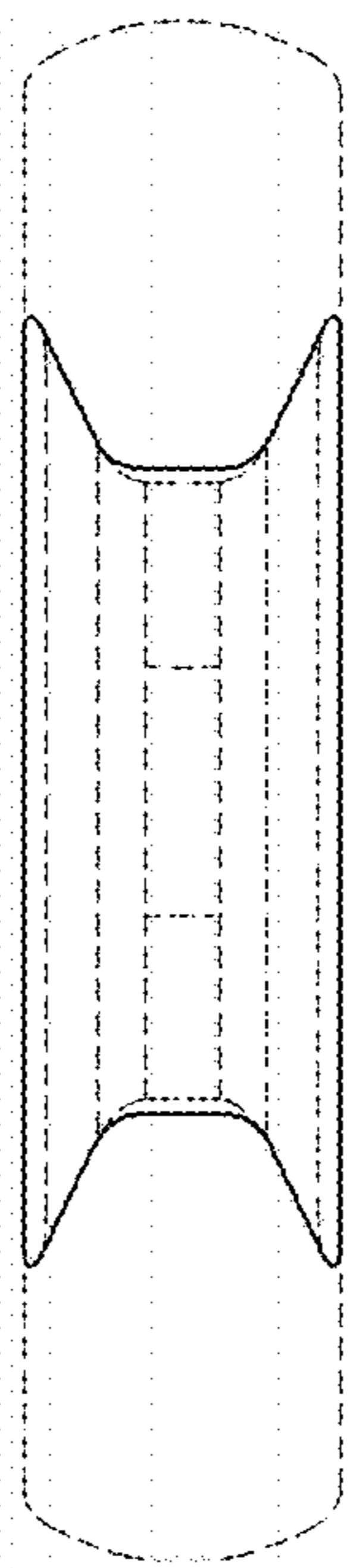


FIG. 19

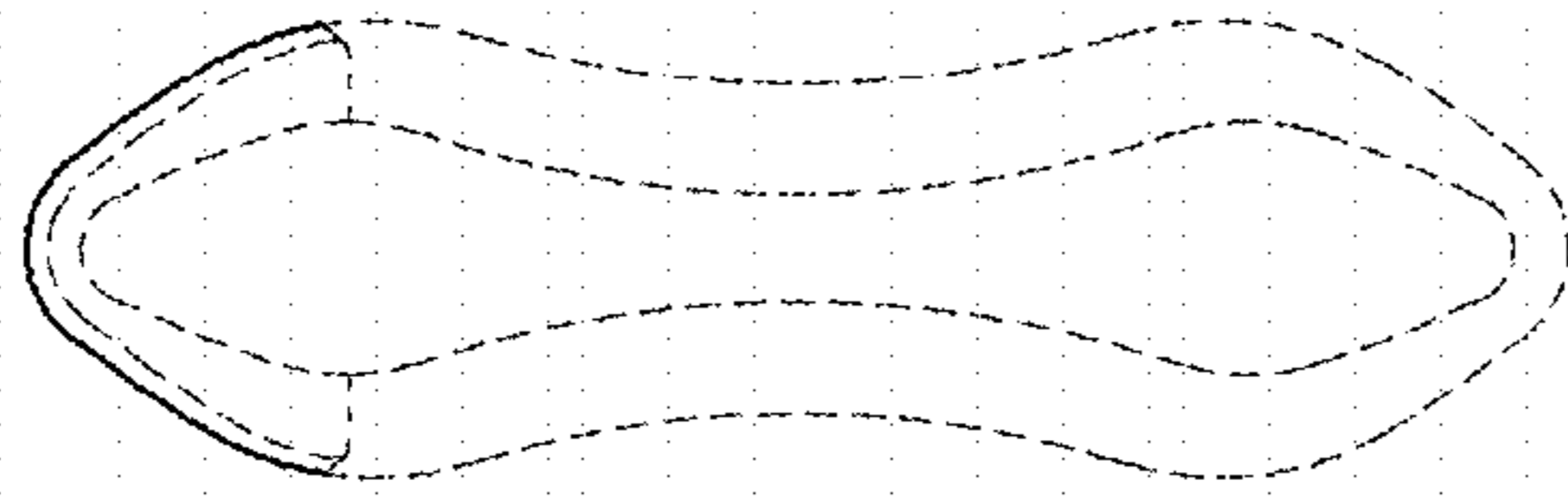


FIG. 20

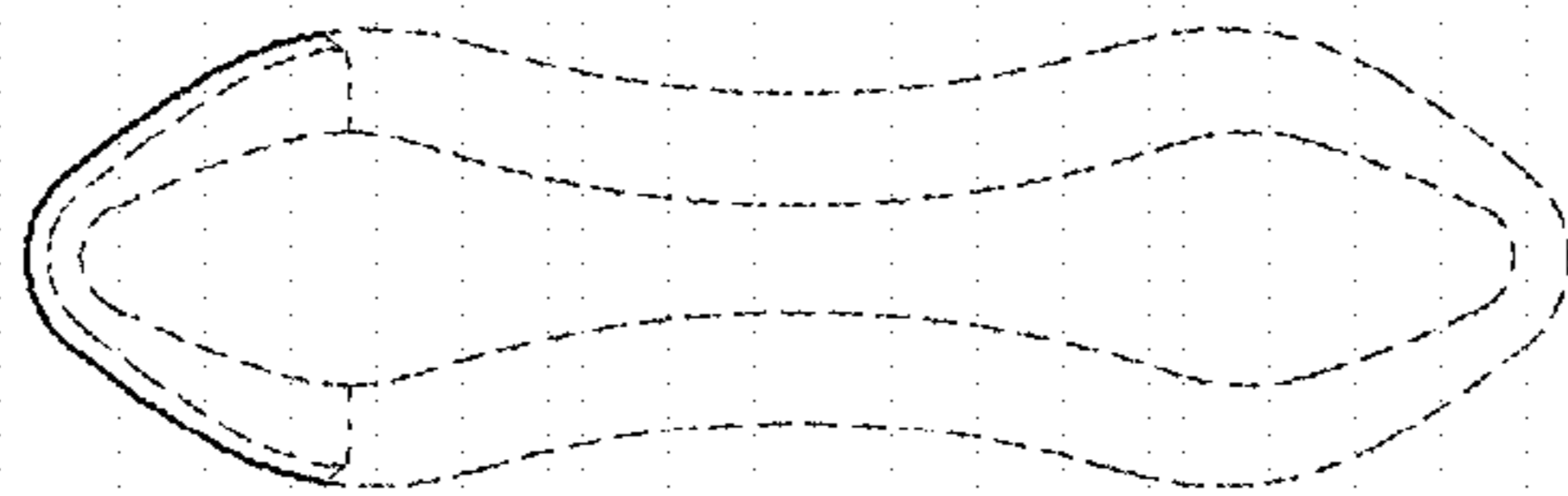


FIG. 21

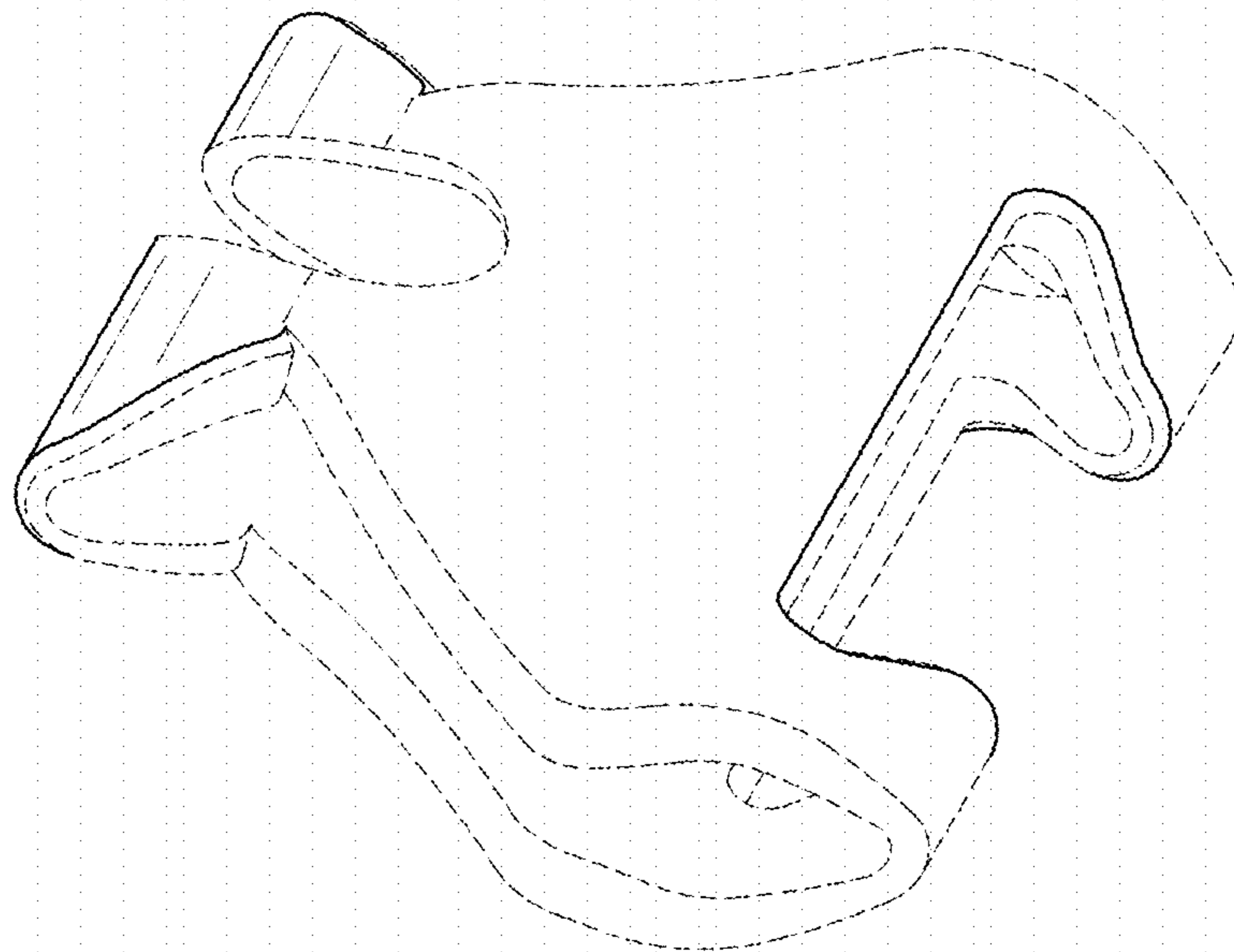


FIG. 22

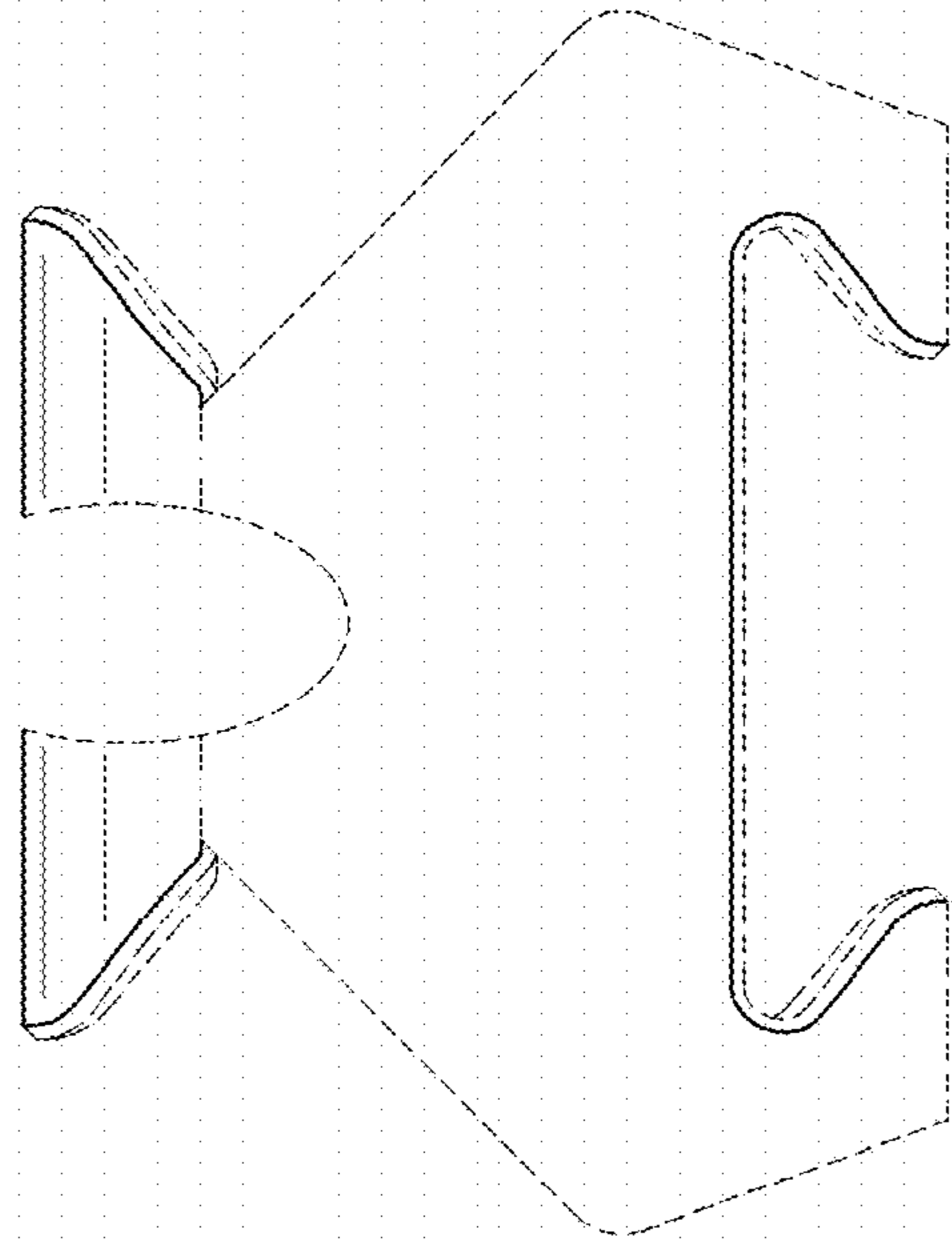


FIG. 23

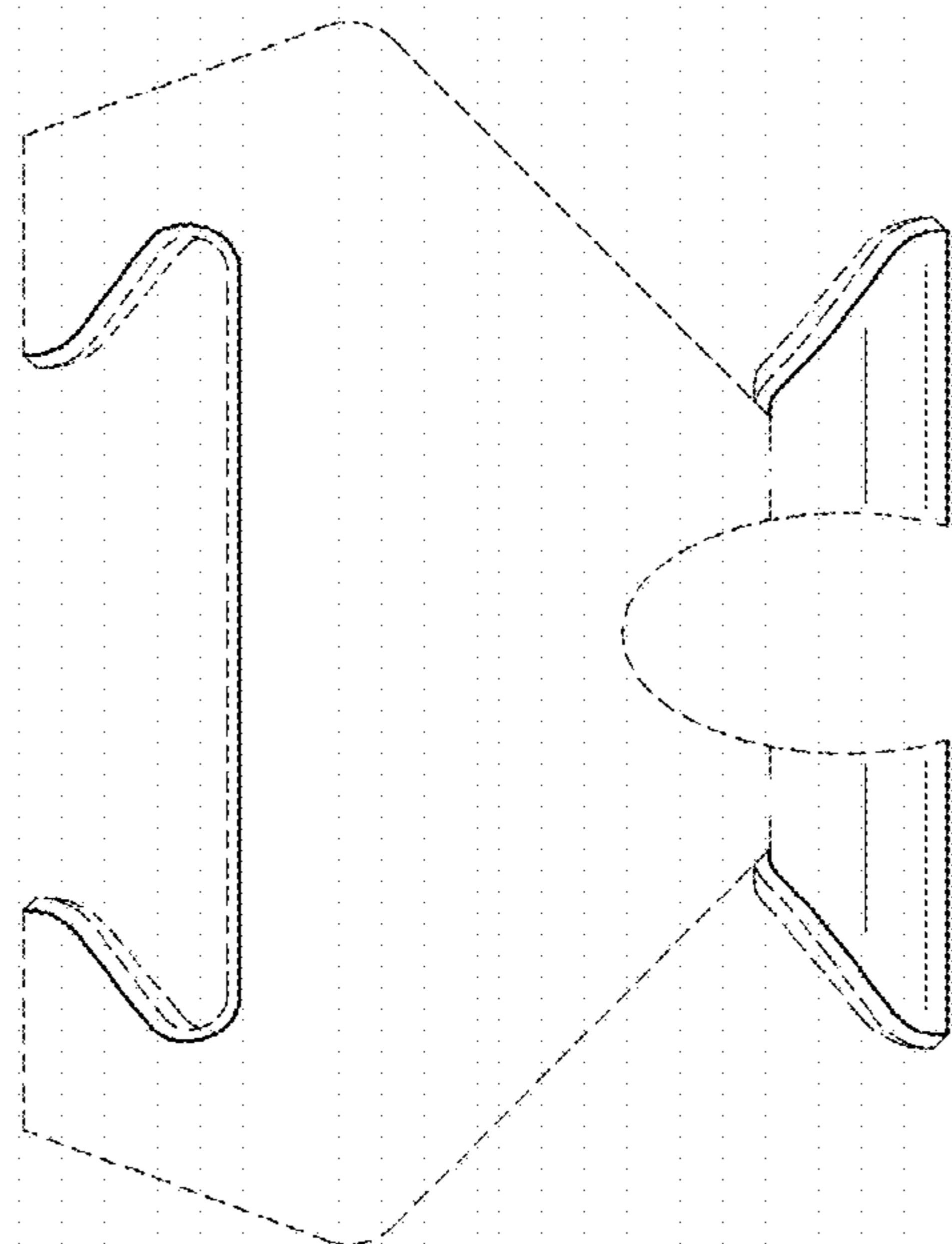


FIG. 24



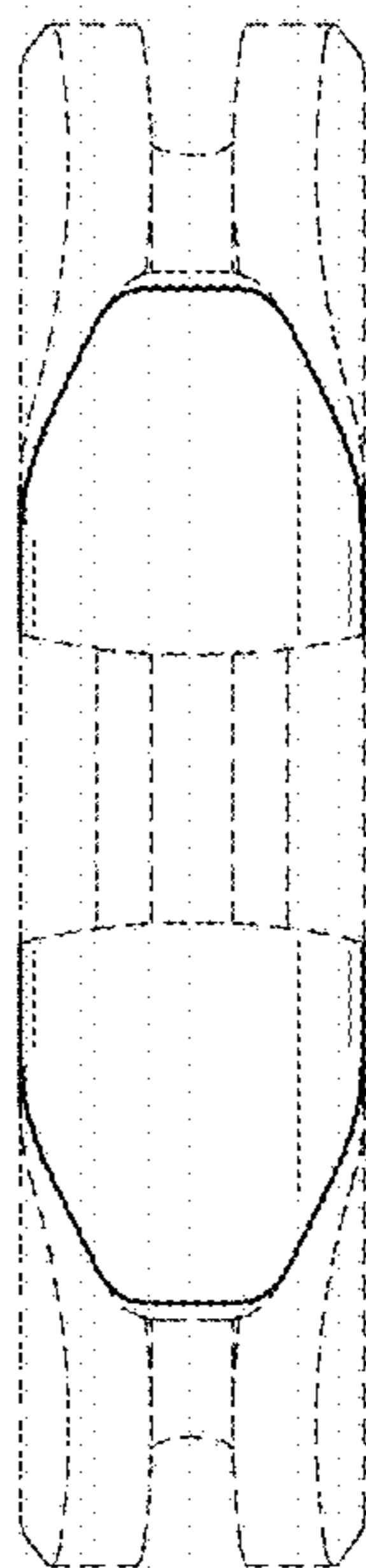


FIG. 25

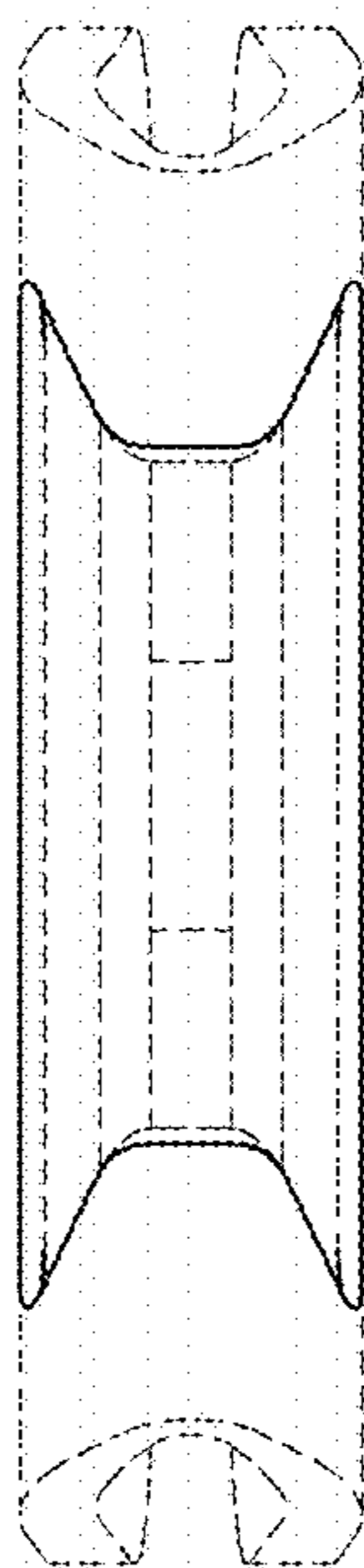


FIG. 26

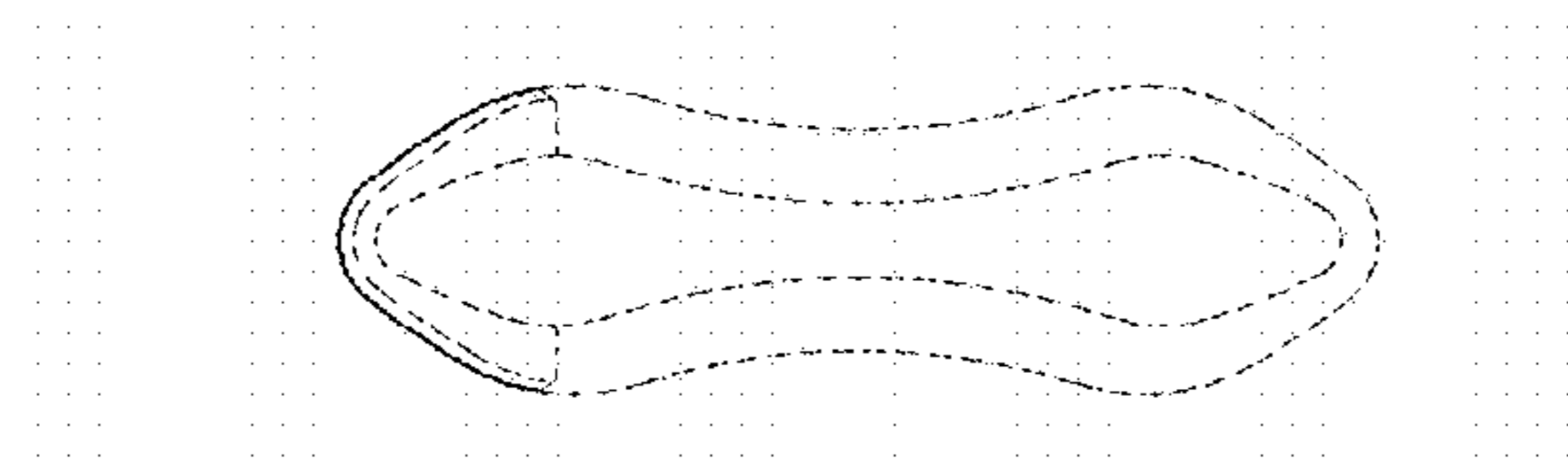


FIG. 27

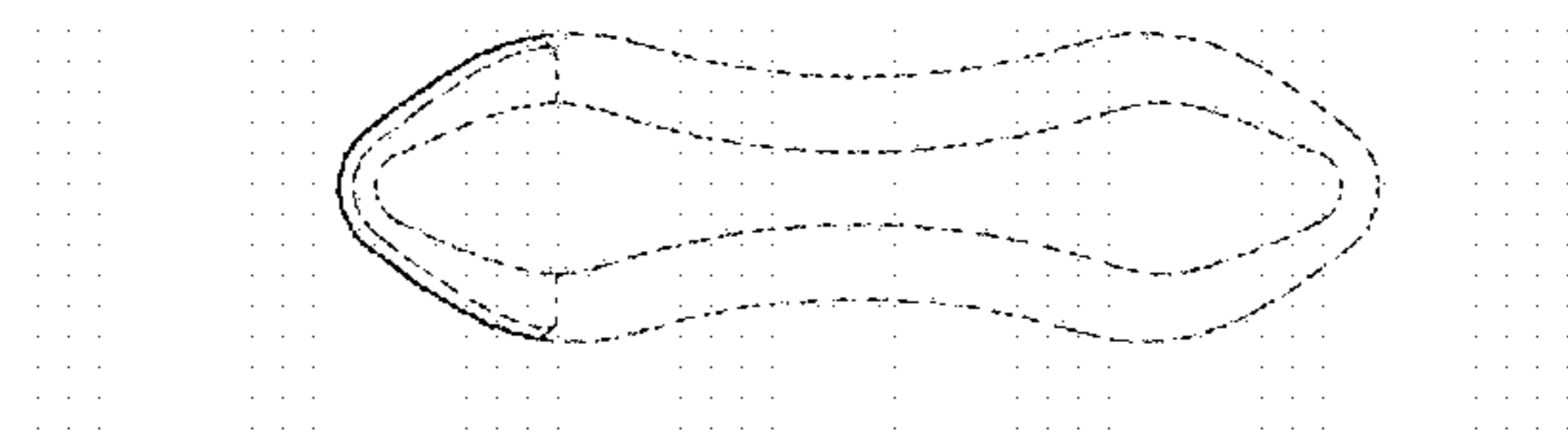


FIG. 28