



US00D798763S

(12) **United States Design Patent** (10) **Patent No.:** **US D798,763 S**
Lin et al. (45) **Date of Patent:** **** Oct. 3, 2017**

(54) **LINK FOR WEARABLE ARTICLE**

(71) Applicants: **Tsai-Yu Lin**, Taipei (TW); **Jyh-Chyang Tzou**, Taipei (TW); **Hsin Yeh**, Taipei (TW); **Yuan-Ping Chu**, Taipei (TW); **Yao-Tsung Yeh**, Taipei (TW)

(72) Inventors: **Tsai-Yu Lin**, Taipei (TW); **Jyh-Chyang Tzou**, Taipei (TW); **Hsin Yeh**, Taipei (TW); **Yuan-Ping Chu**, Taipei (TW); **Yao-Tsung Yeh**, Taipei (TW)

(73) Assignee: **COMPAL ELECTRONICS, INC.**, Taipei (TW)

(**) Term: **15 Years**

(21) Appl. No.: **29/552,200**

(22) Filed: **Jan. 21, 2016**

(51) **LOC (10) Cl.** **11-01**

(52) **U.S. Cl.**
USPC **D11/93**

(58) **Field of Classification Search**
USPC D11/1-25, 32, 93, 94; 63/1.11, 3, 3.1, 63/3.2, 5.1, 5.2, 7-11; 59/78, 79.2; 224/175; D10/30-32

(Continued)

(56) **References Cited**

U.S. PATENT DOCUMENTS

D158,392 S * 5/1950 Laufer D11/87
2,527,442 A * 10/1950 Odegard F16L 3/1236
174/159

(Continued)

Primary Examiner — Zenia Bennett

(74) *Attorney, Agent, or Firm* — Jianq Chyun IP Office

(57) **CLAIM**

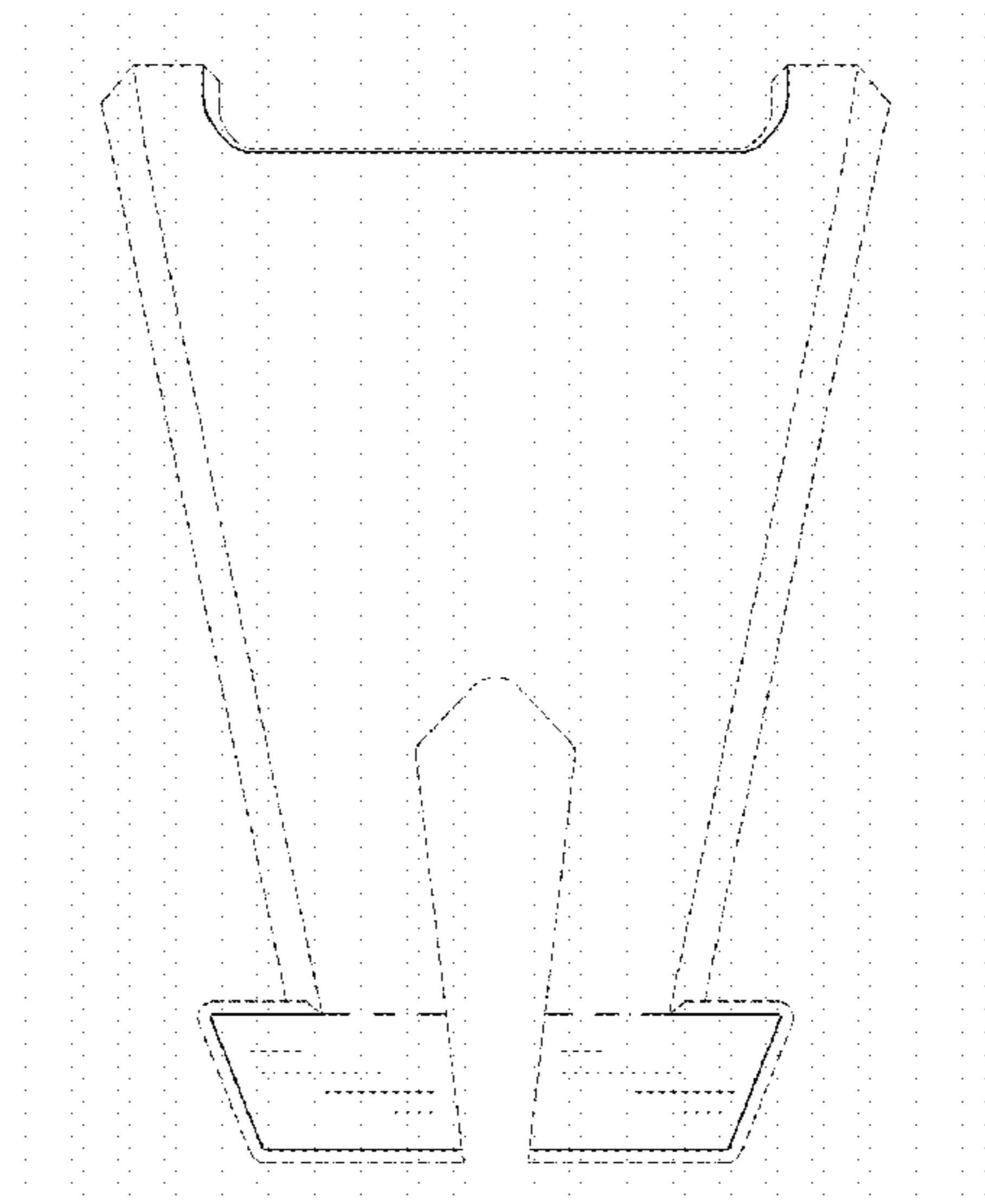
The ornamental design for a link for wearable article, as shown and described.

DESCRIPTION

FIG. 1 is a perspective view of a link for wearable article showing a first embodiment of our new design; FIG. 2 is a front view of the first embodiment; FIG. 3 is a rear view of the first embodiment; FIG. 4 is a left side view of the first embodiment; FIG. 5 is a right side view of the first embodiment; FIG. 6 is a top view of the first embodiment; FIG. 7 is a bottom view of the first embodiment; FIG. 8 is a perspective view of a link for wearable article showing a second embodiment of our new design; FIG. 9 is a front view of the second embodiment; FIG. 10 is a rear view of the second embodiment; FIG. 11 is a left side view of the second embodiment; FIG. 12 is a right side view of the second embodiment; FIG. 13 is a top view of the second embodiment; FIG. 14 is a bottom view of the second embodiment; FIG. 15 is a perspective view of a link for wearable article showing a third embodiment of our new design; FIG. 16 is a front view of the third embodiment; FIG. 17 is a rear view of the third embodiment; FIG. 18 is a left side view of the third embodiment; FIG. 19 is a right side view of the third embodiment; FIG. 20 is a top view of the third embodiment; FIG. 21 is a bottom view of the third embodiment; FIG. 22 is a perspective view of a link for wearable article showing a fourth embodiment of our new design; FIG. 23 is a front view of the fourth embodiment; FIG. 24 is a rear view of the fourth embodiment; FIG. 25 is a left side view of the fourth embodiment; FIG. 26 is a right side view of the fourth embodiment; FIG. 27 is a top view of the fourth embodiment; and, FIG. 28 is a bottom view of the fourth embodiment.

The dashed line showing of portions of the link for wearable article is for the purpose of illustrating unclaimed portions of the link for wearable article and forms no part of the claimed design. The dot-dashed broken lines represent a boundary of the claimed design and form no part of the claimed design.

1 Claim, 20 Drawing Sheets



(58) **Field of Classification Search**

CPC A44C 5/00; A44C 5/0084; A44C 5/102;
A44C 5/105; A44C 5/107; A44C 5/185

See application file for complete search history.

(56) **References Cited**

U.S. PATENT DOCUMENTS

3,237,326 A * 3/1966 Naffin A44C 3/001
24/67.3
D244,673 S * 6/1977 Little D11/87
D358,114 S * 5/1995 Botsford D11/200
D371,525 S * 7/1996 Ryan D11/231
D380,587 S * 7/1997 Ryan D2/627
8,196,267 B2 * 6/2012 Nalley A44C 5/24
24/265 WS
9,635,911 B2 * 5/2017 Moille A44C 5/185

* cited by examiner

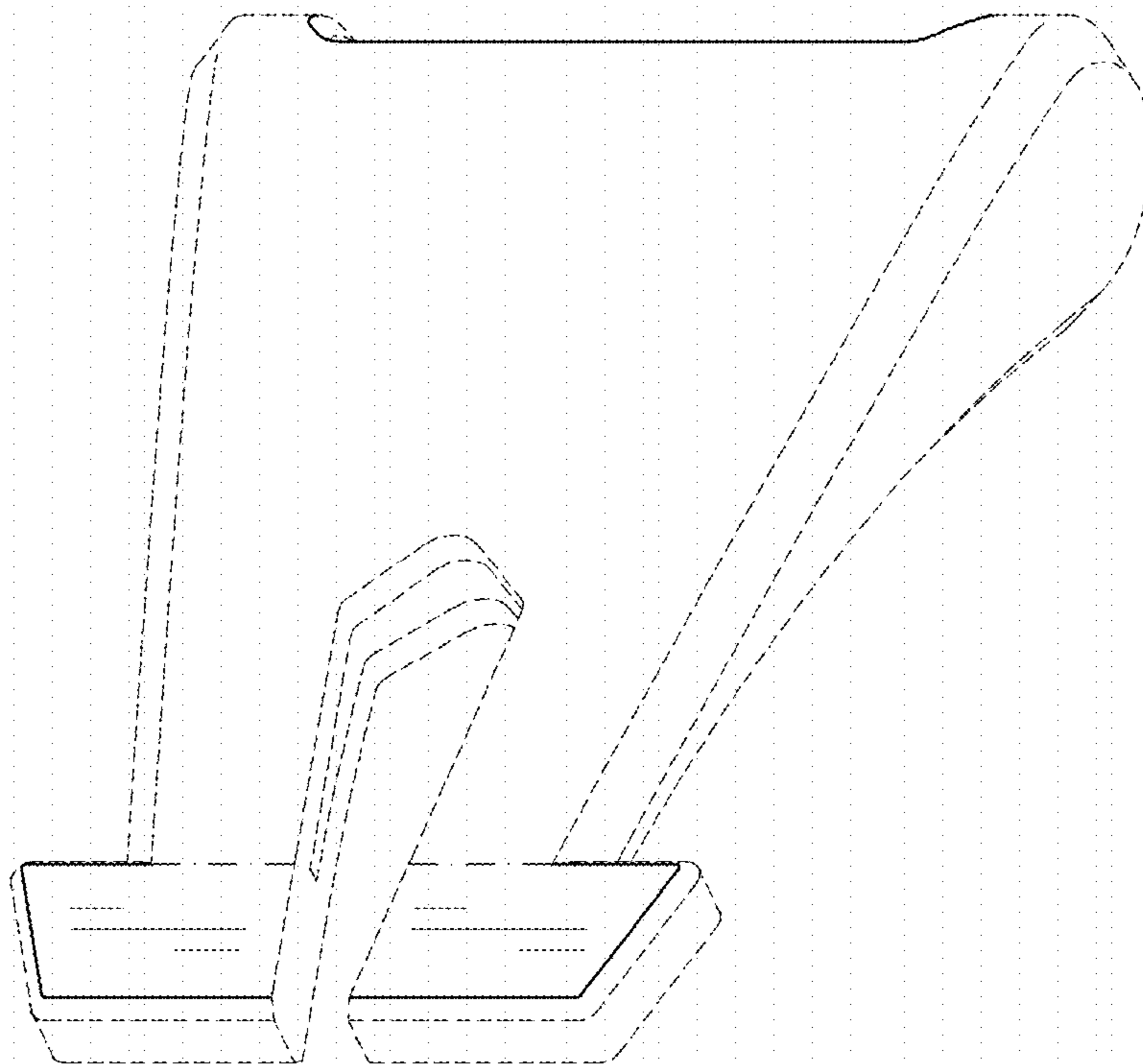


FIG. 1

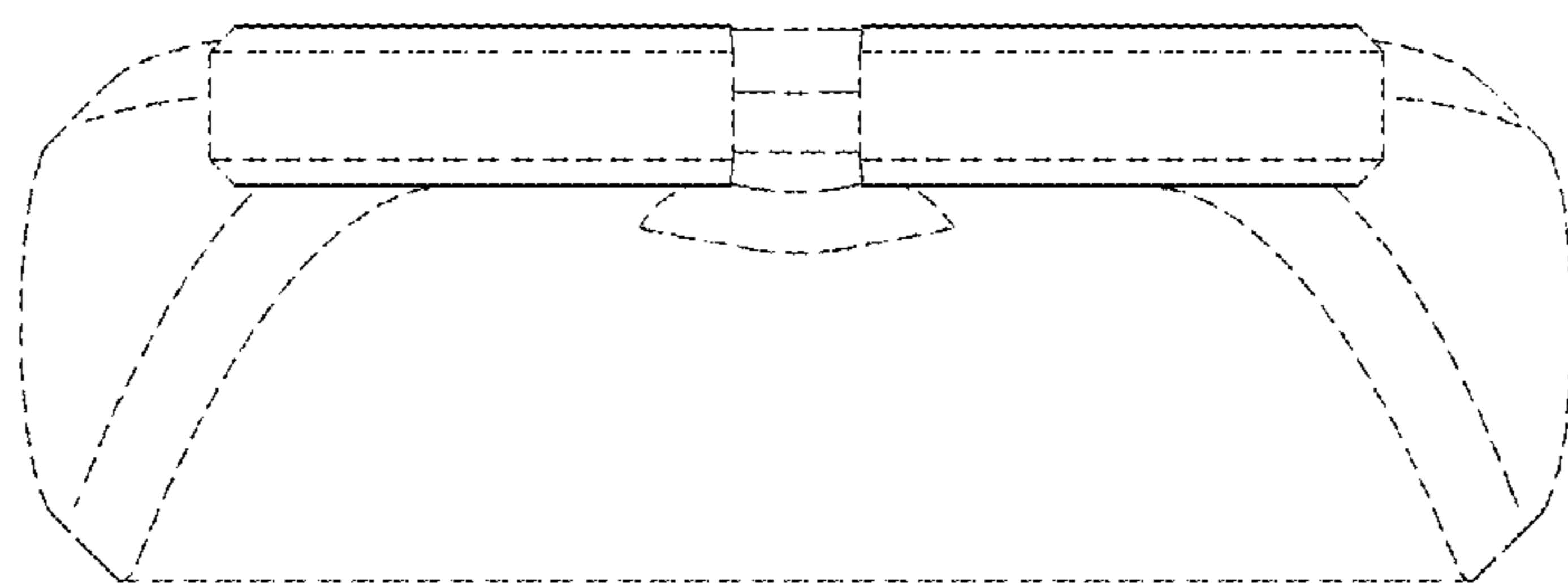


FIG. 2

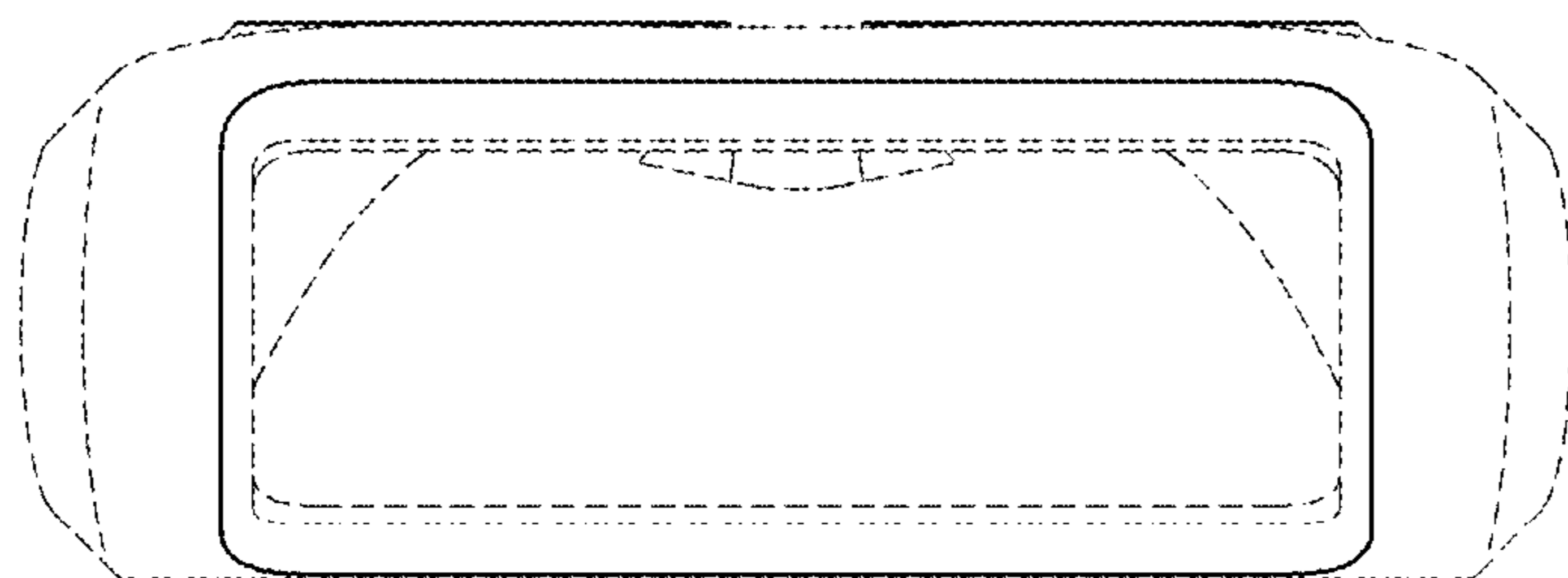


FIG. 3

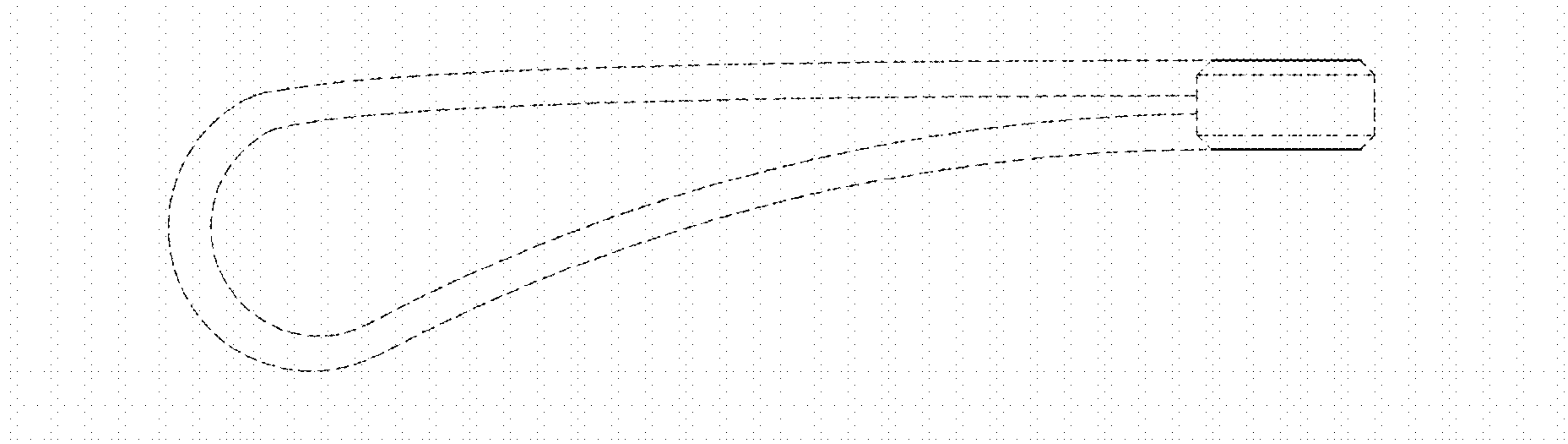


FIG. 4

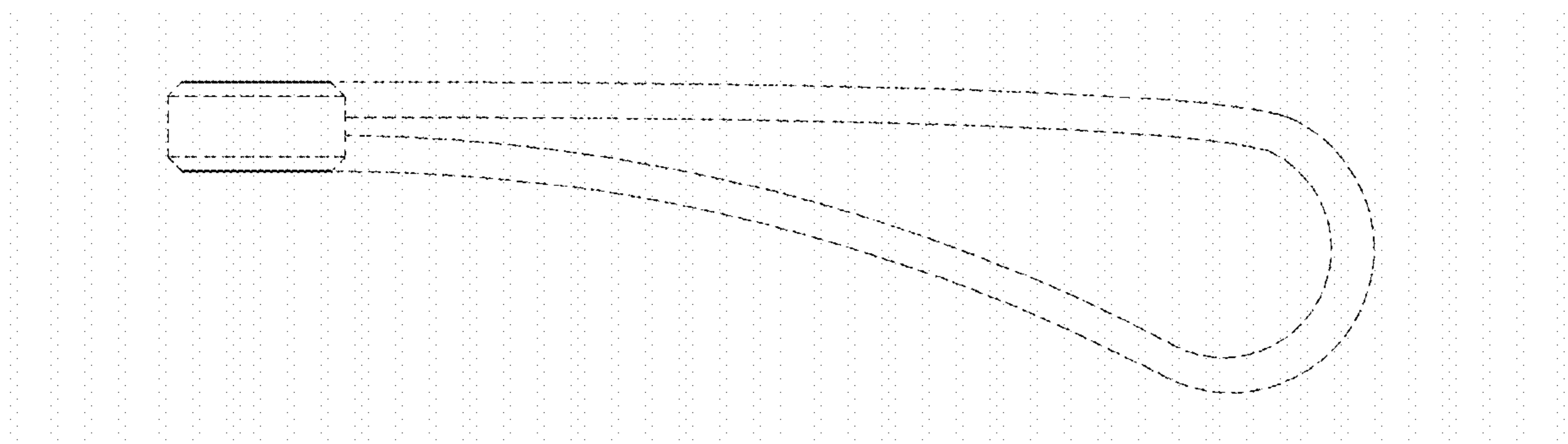


FIG. 5

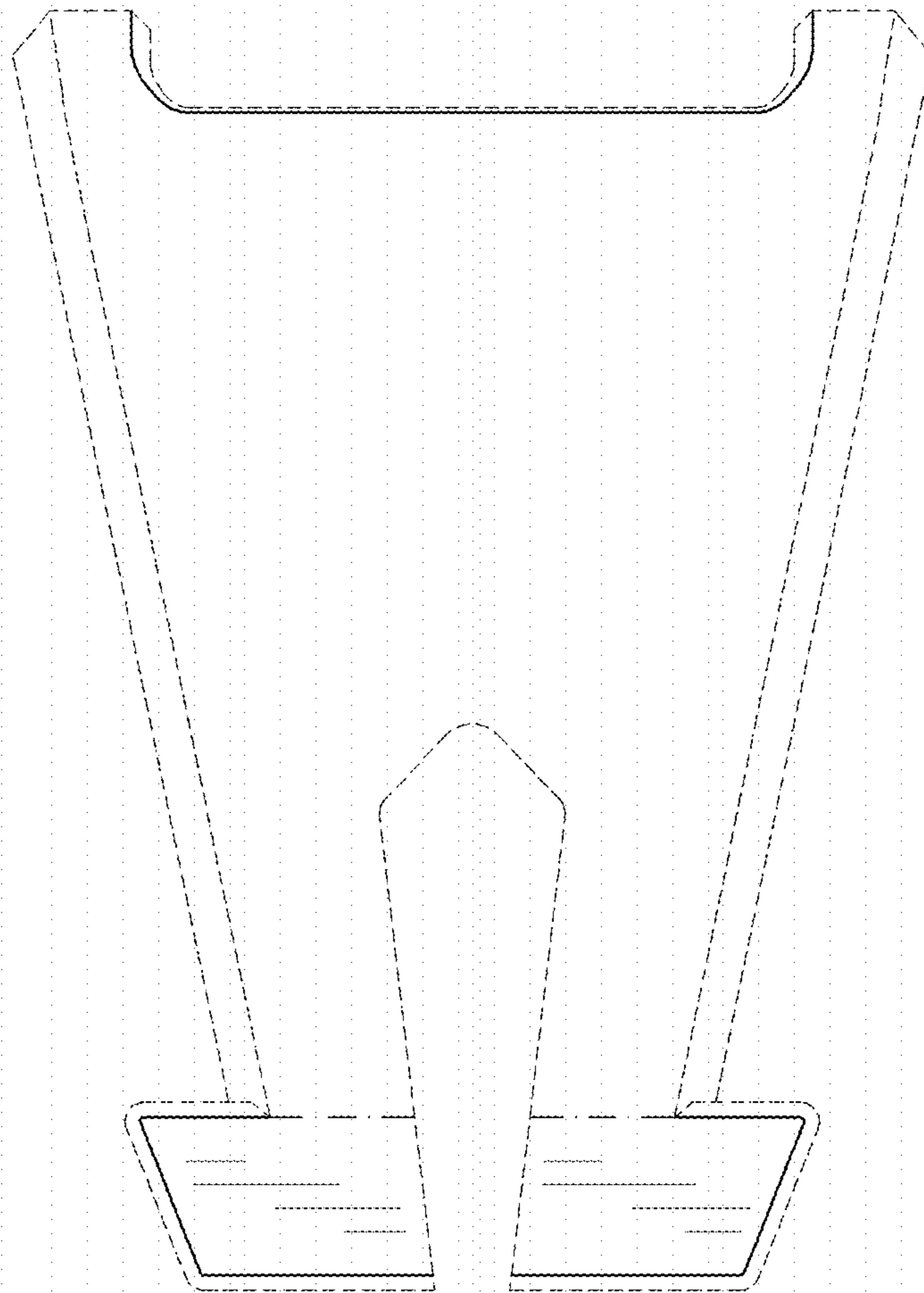


FIG. 6

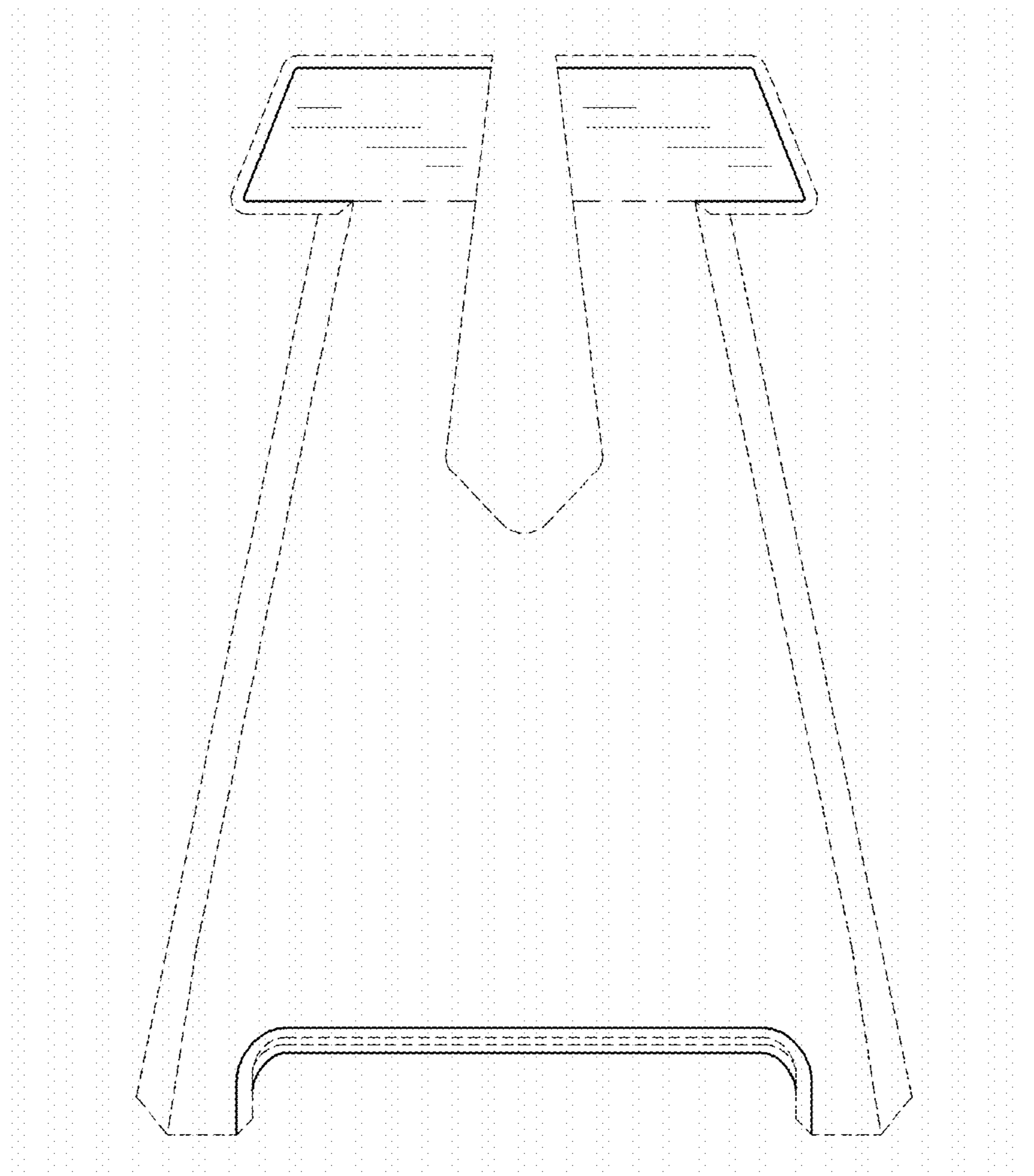


FIG. 7

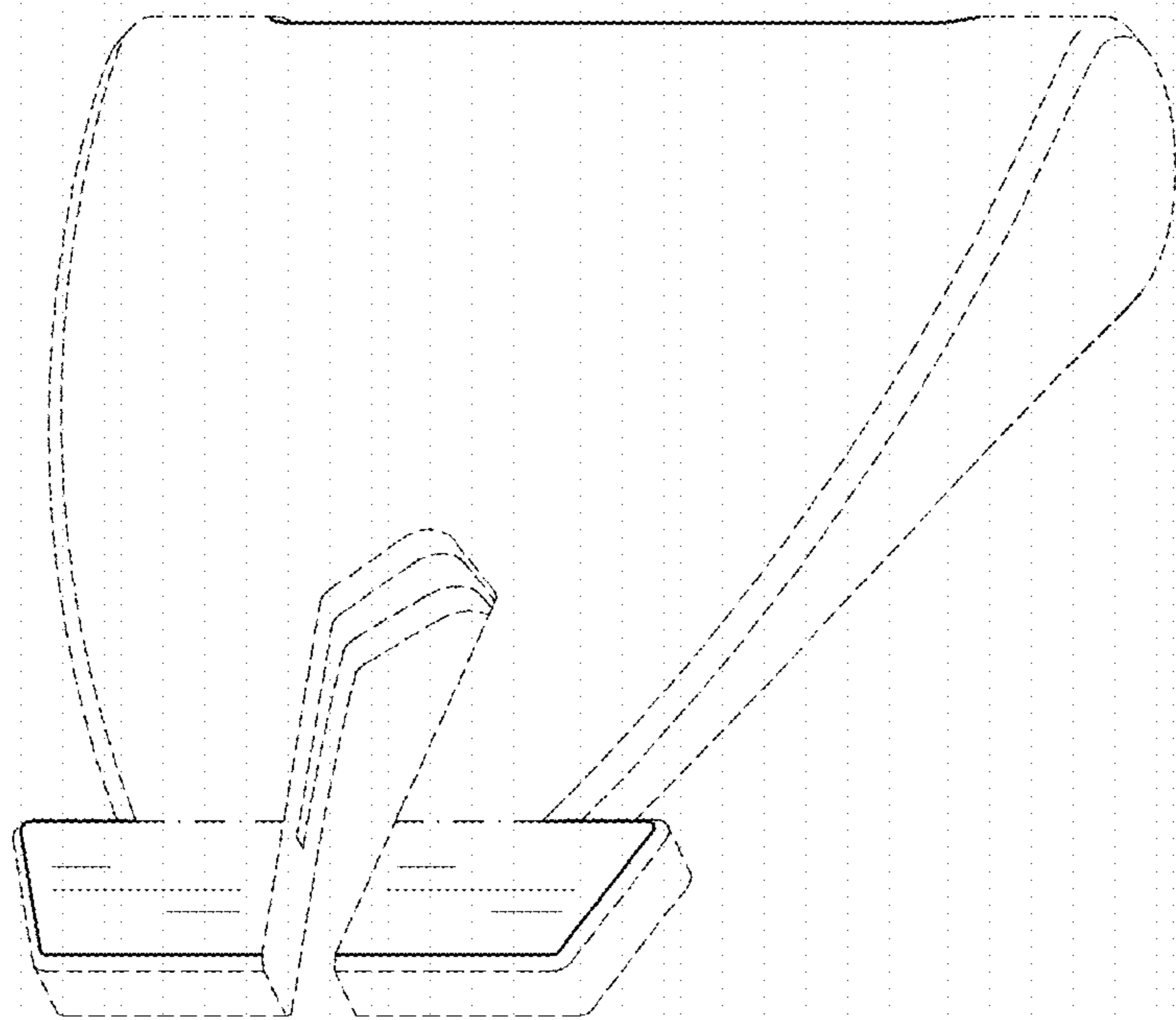


FIG. 8

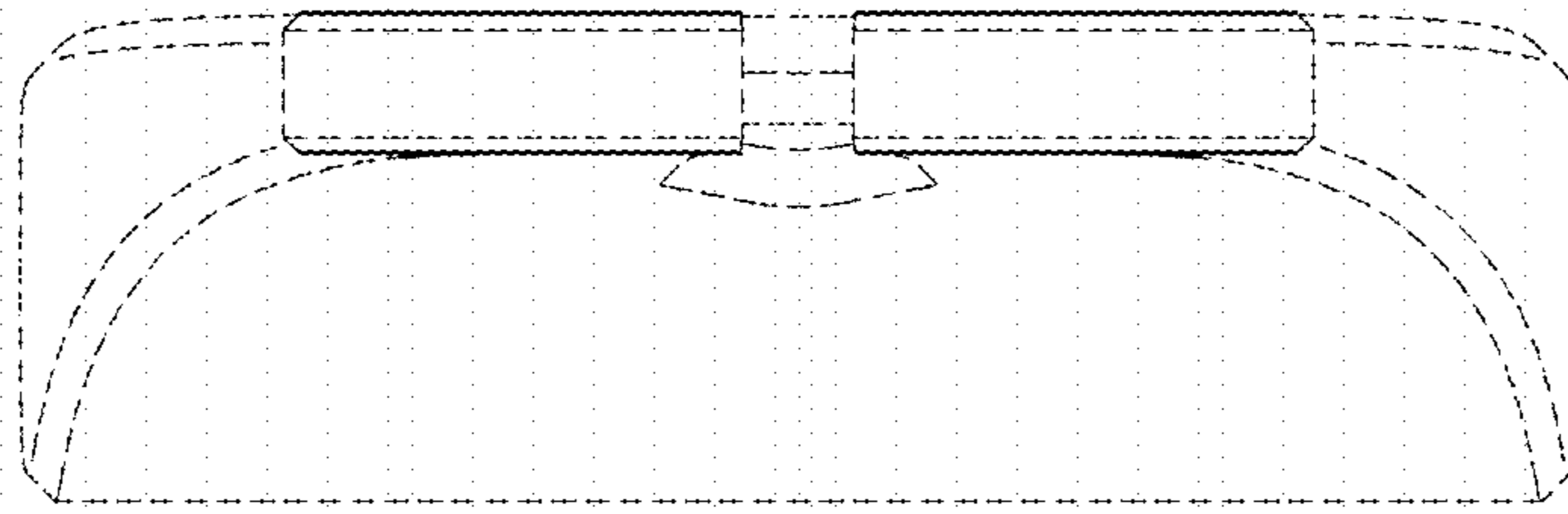


FIG. 9

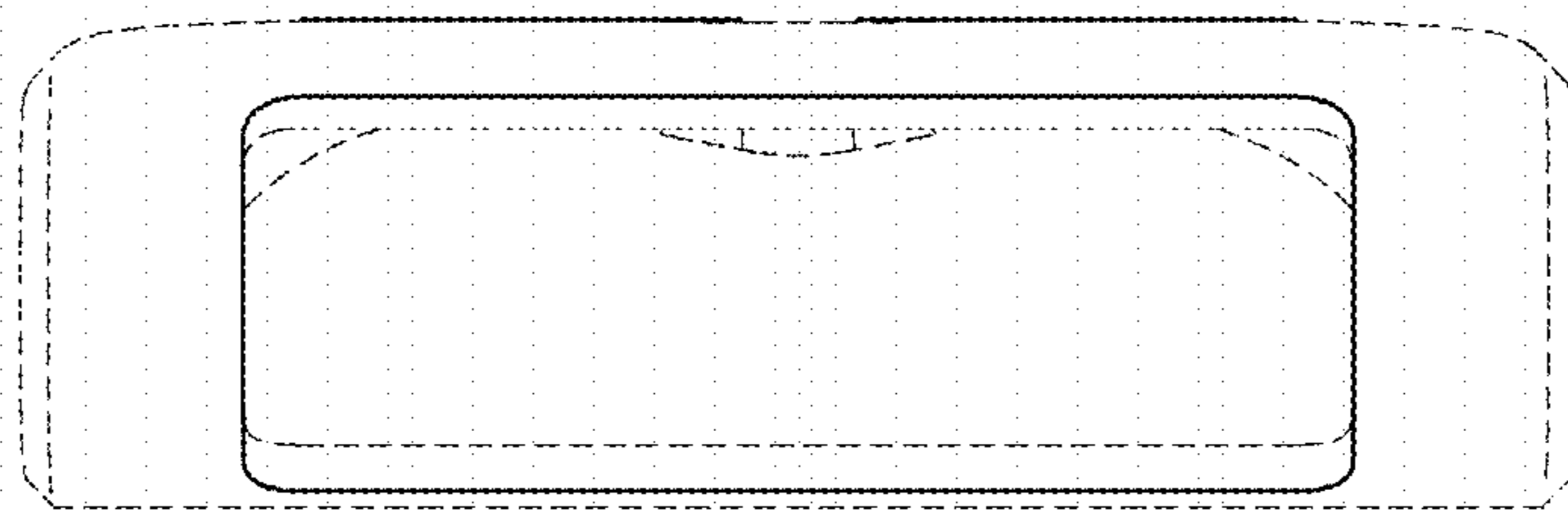


FIG. 10

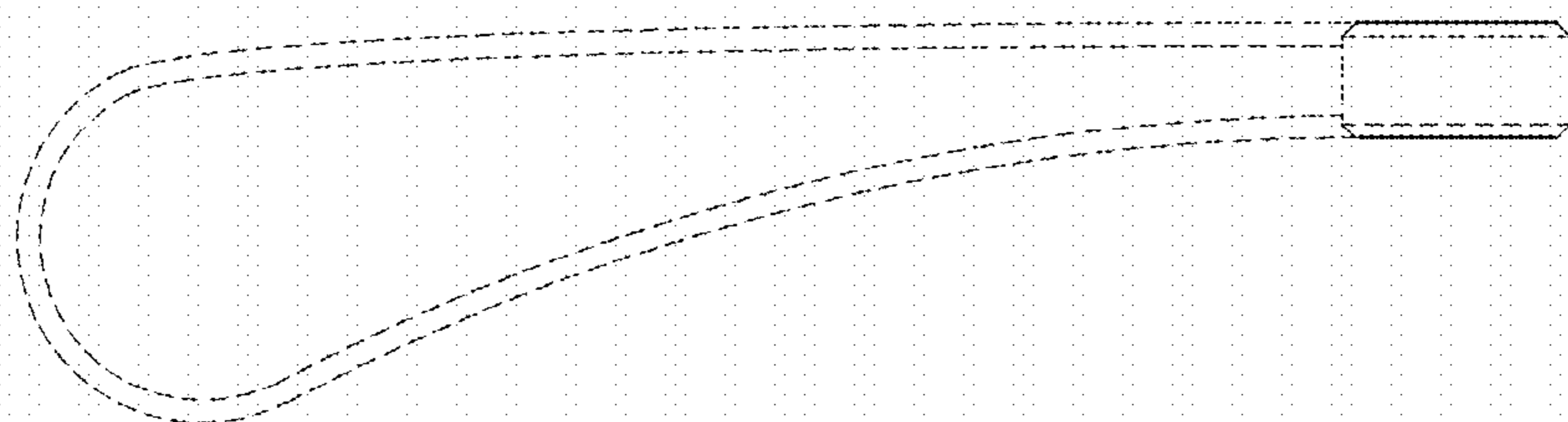


FIG. 11

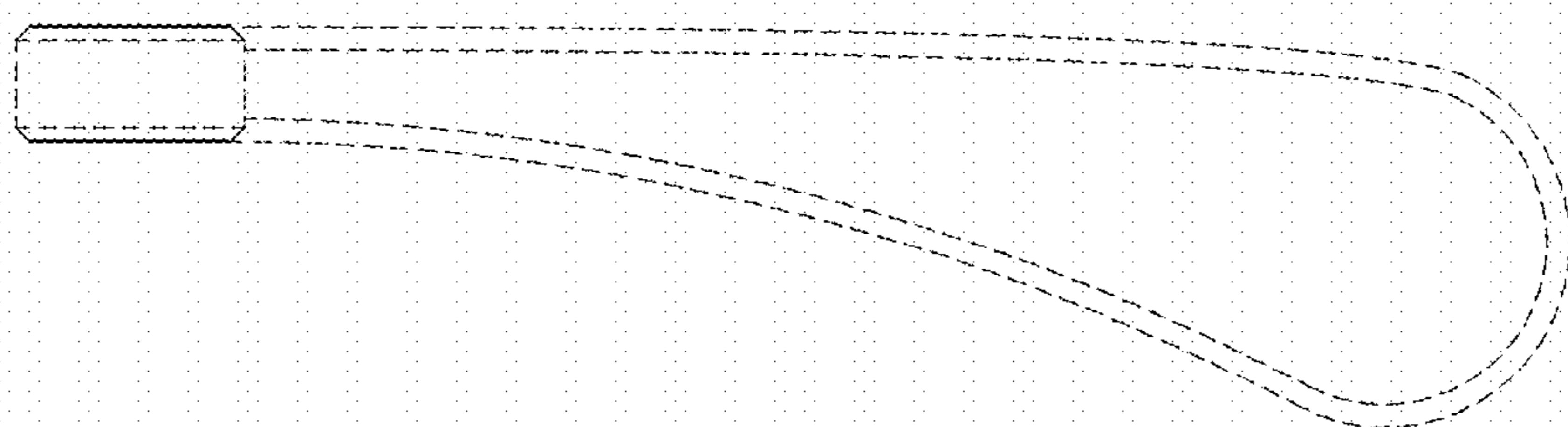


FIG. 12

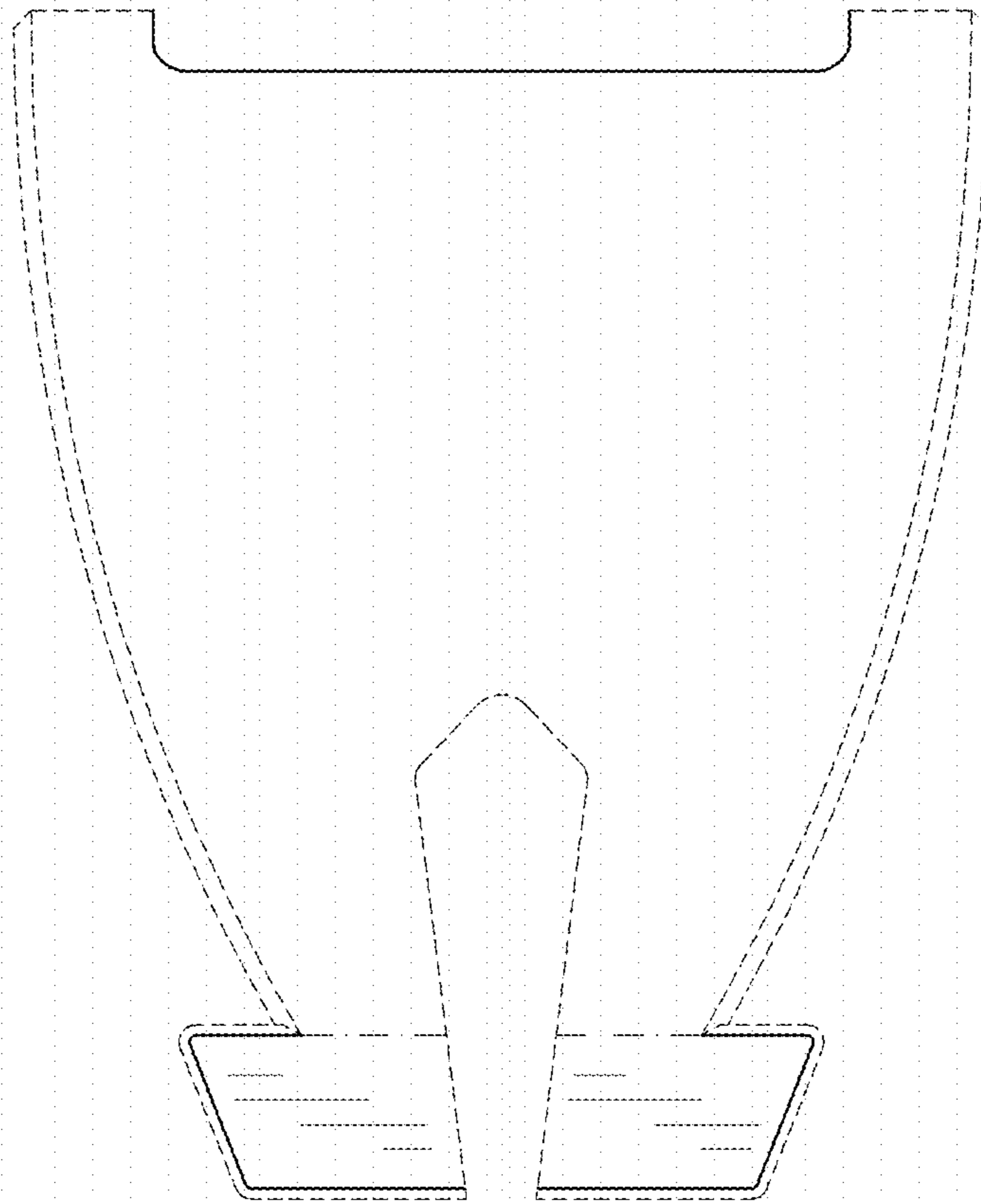


FIG. 13

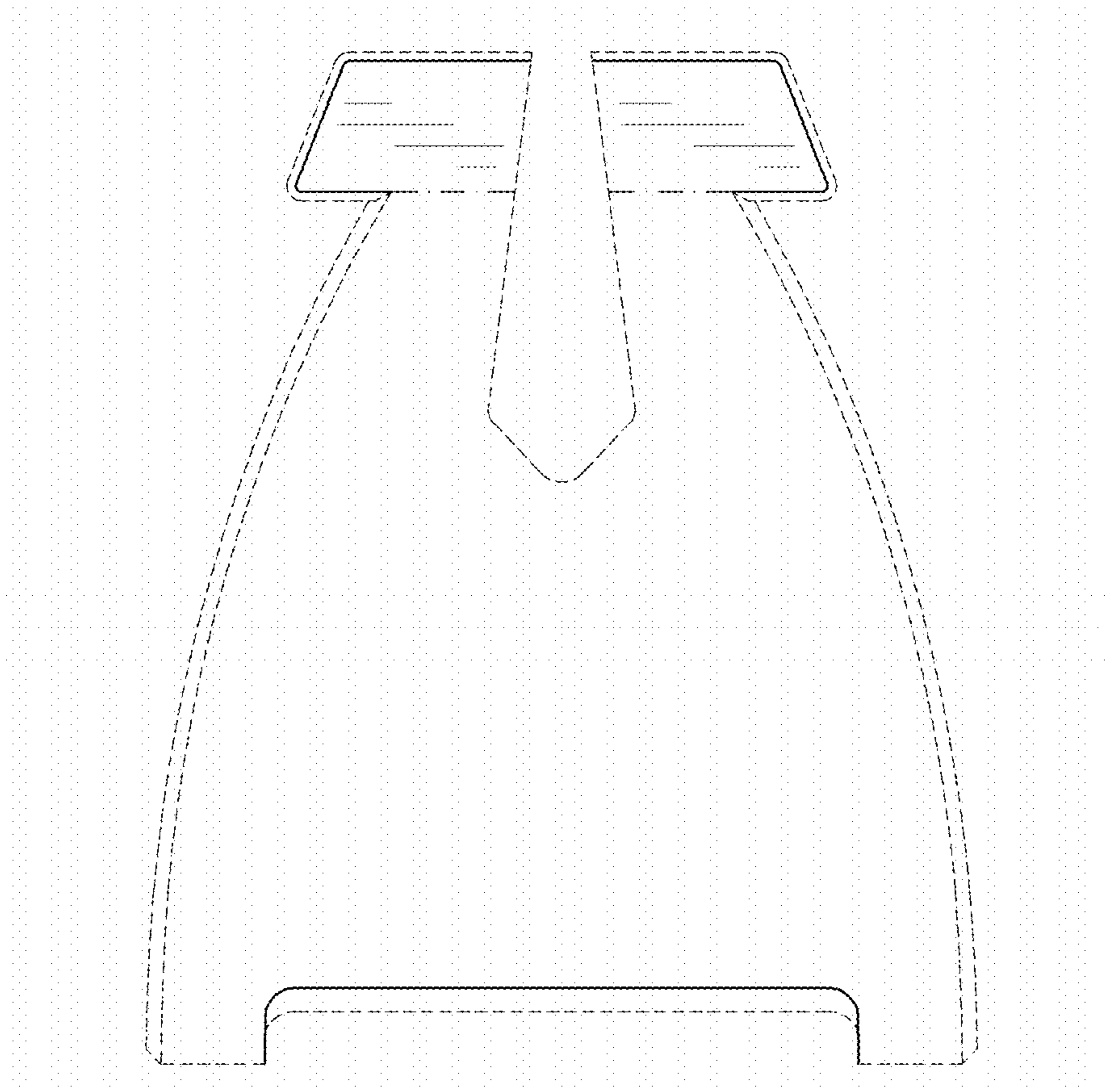


FIG. 14

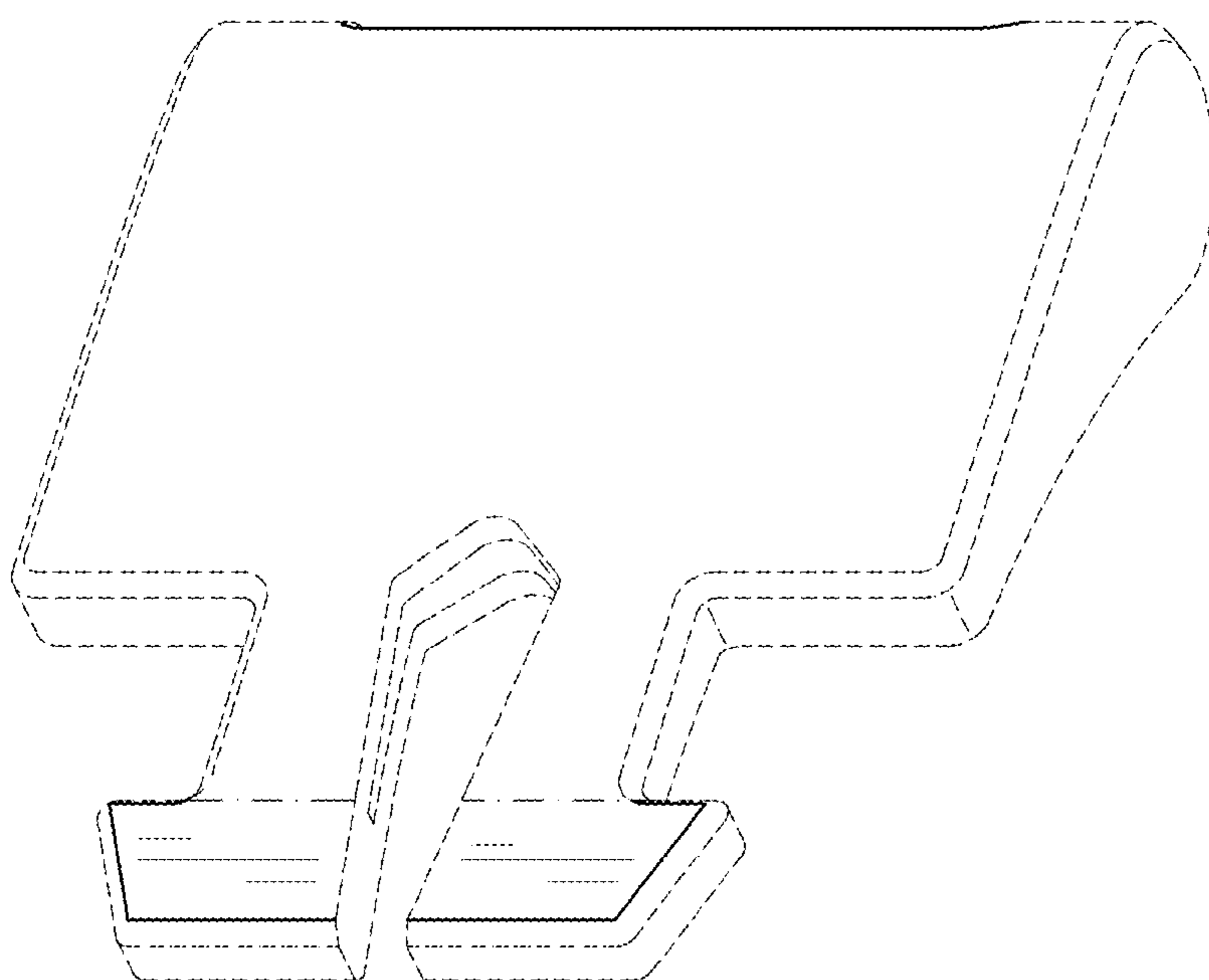


FIG. 15

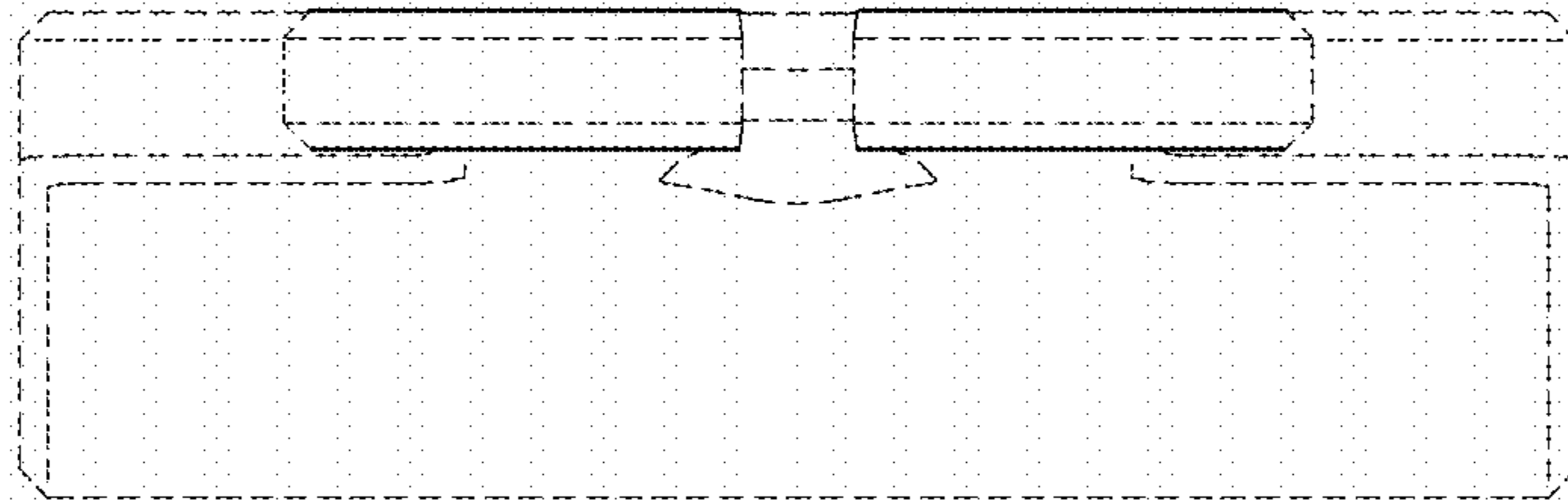


FIG. 16

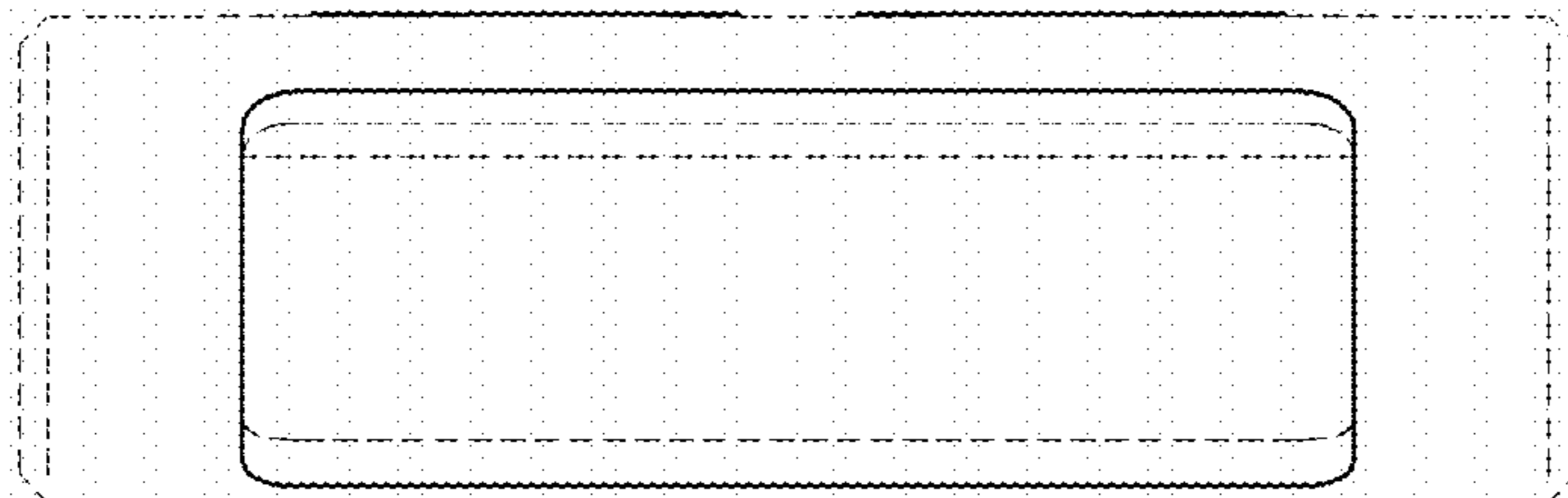


FIG. 17

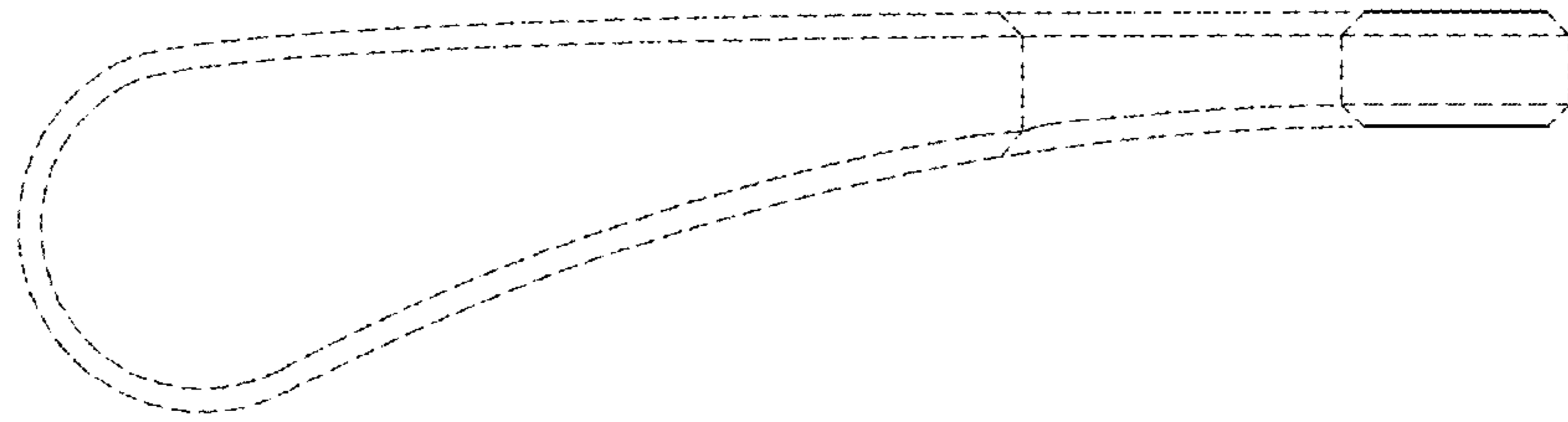


FIG. 18

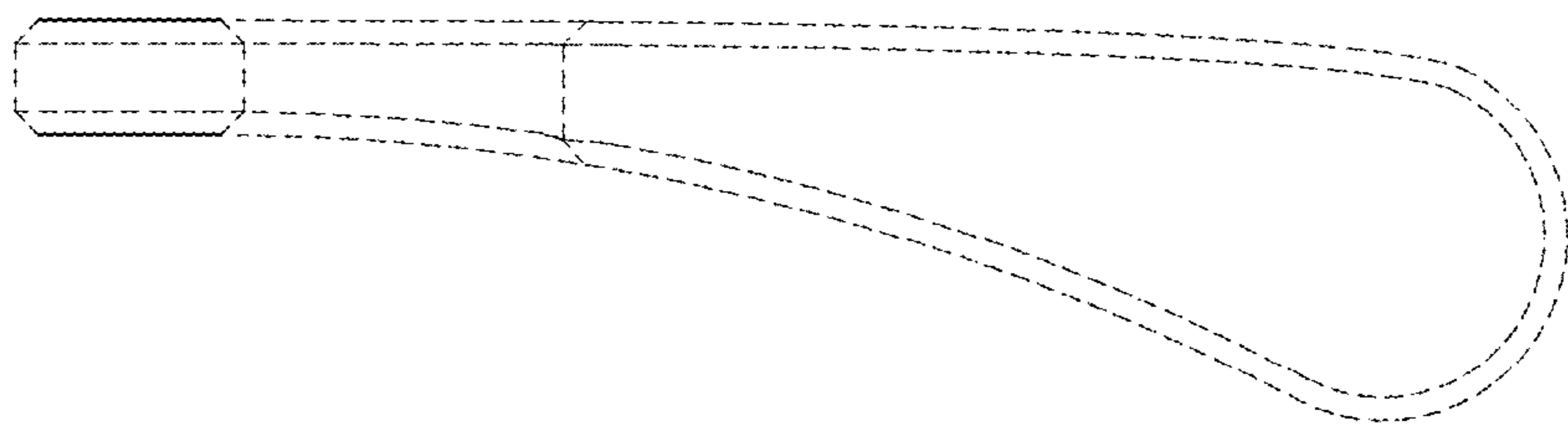


FIG. 19

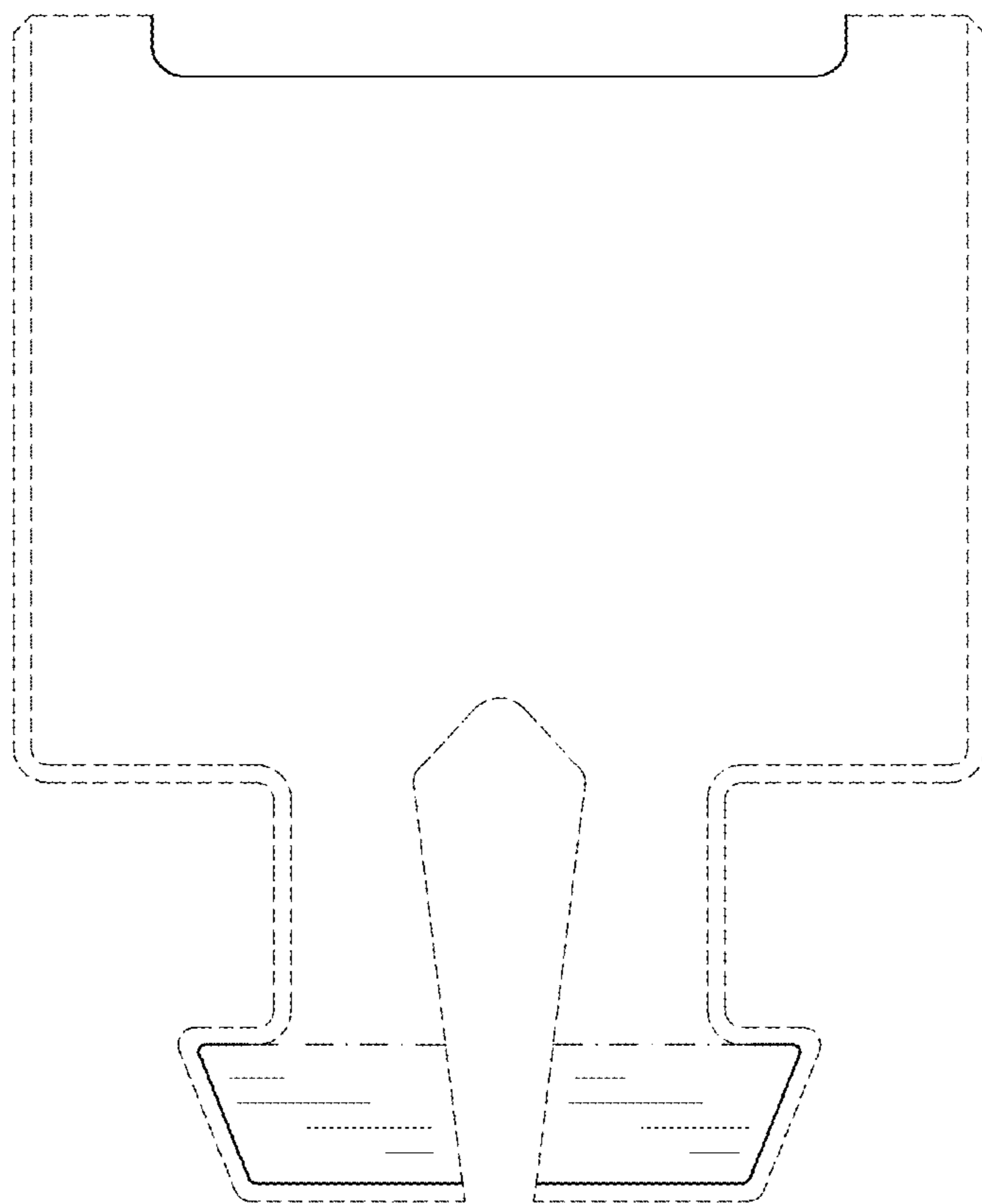


FIG. 20

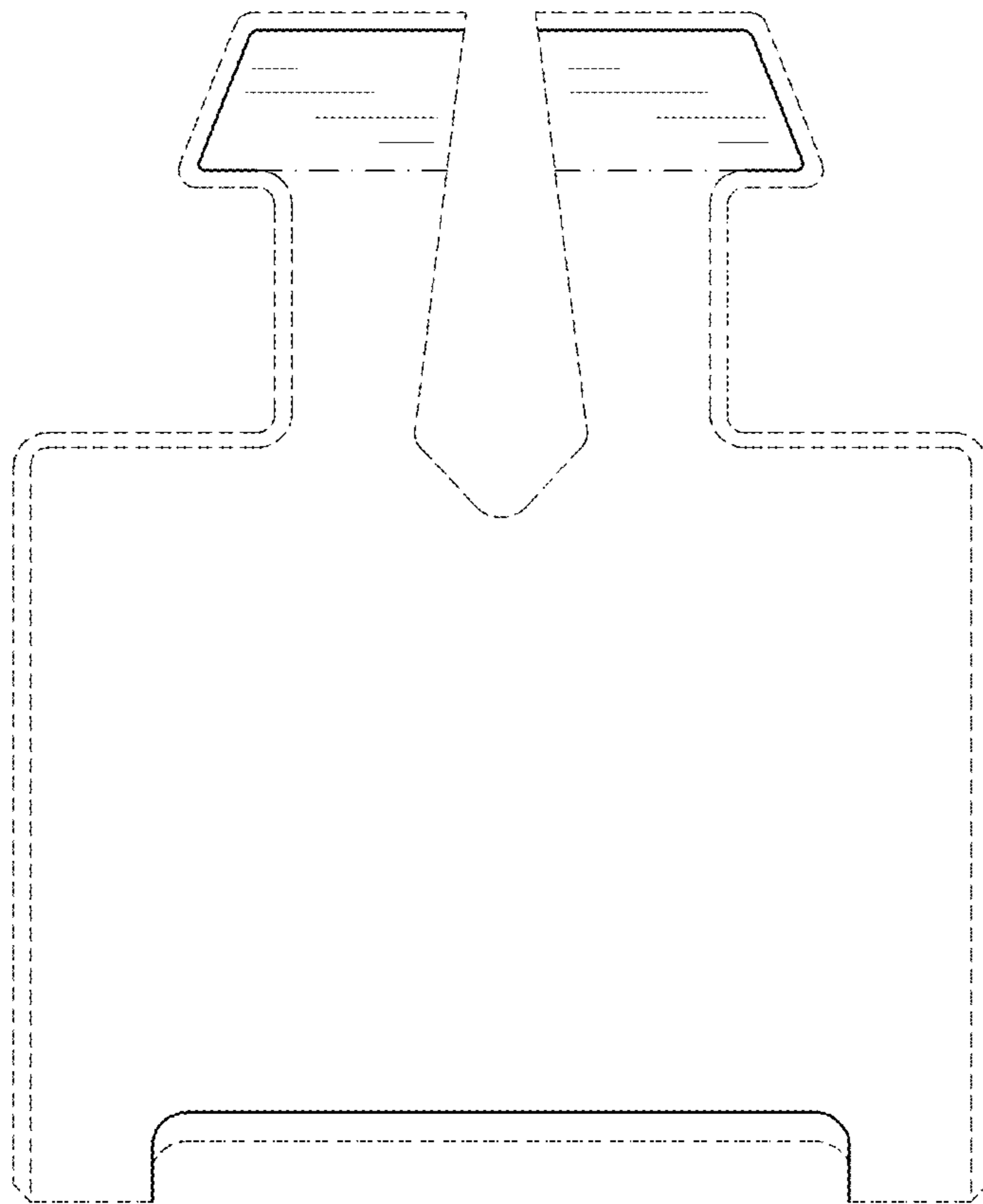


FIG. 21

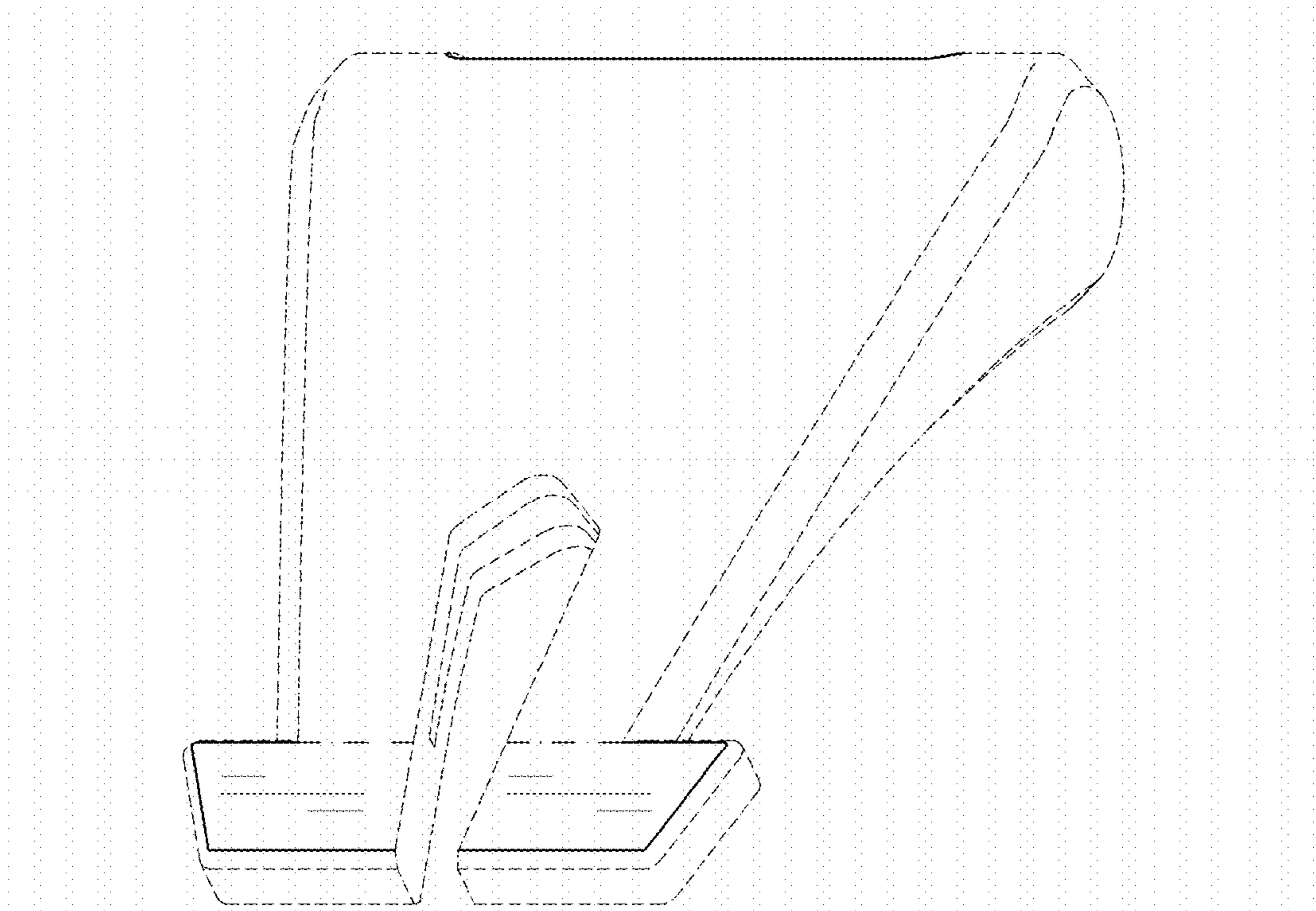


FIG. 22

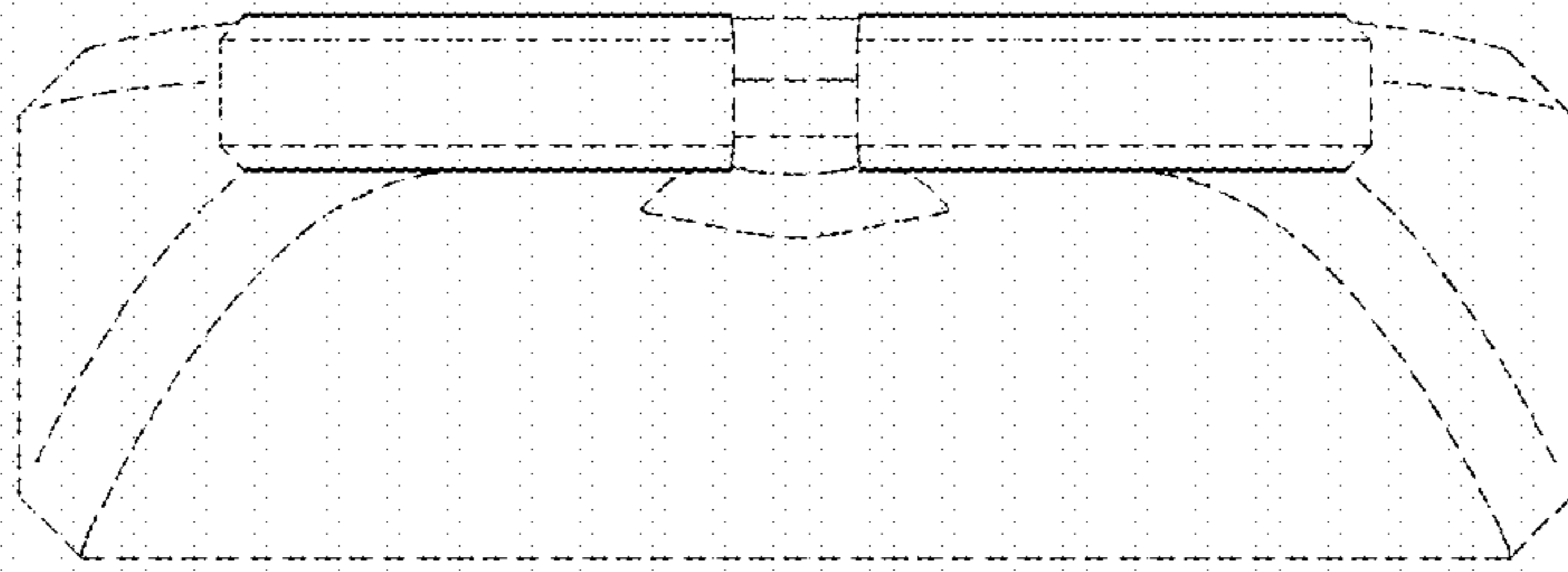


FIG. 23

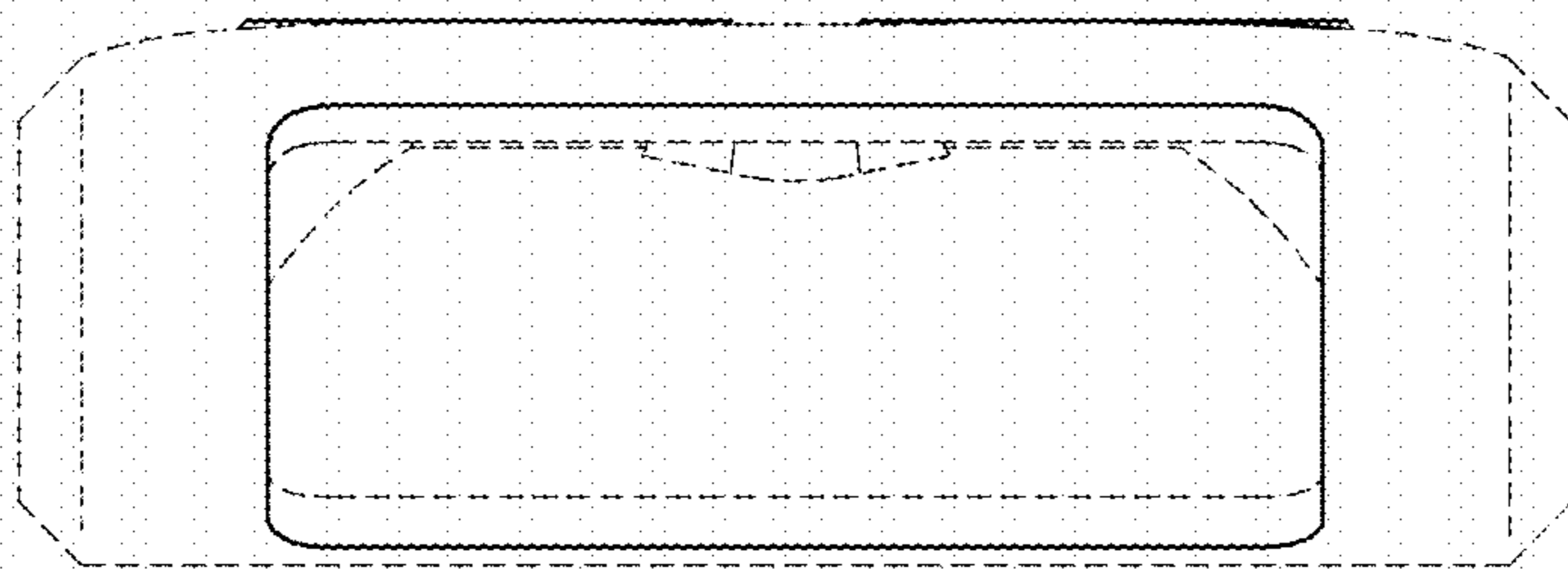


FIG. 24

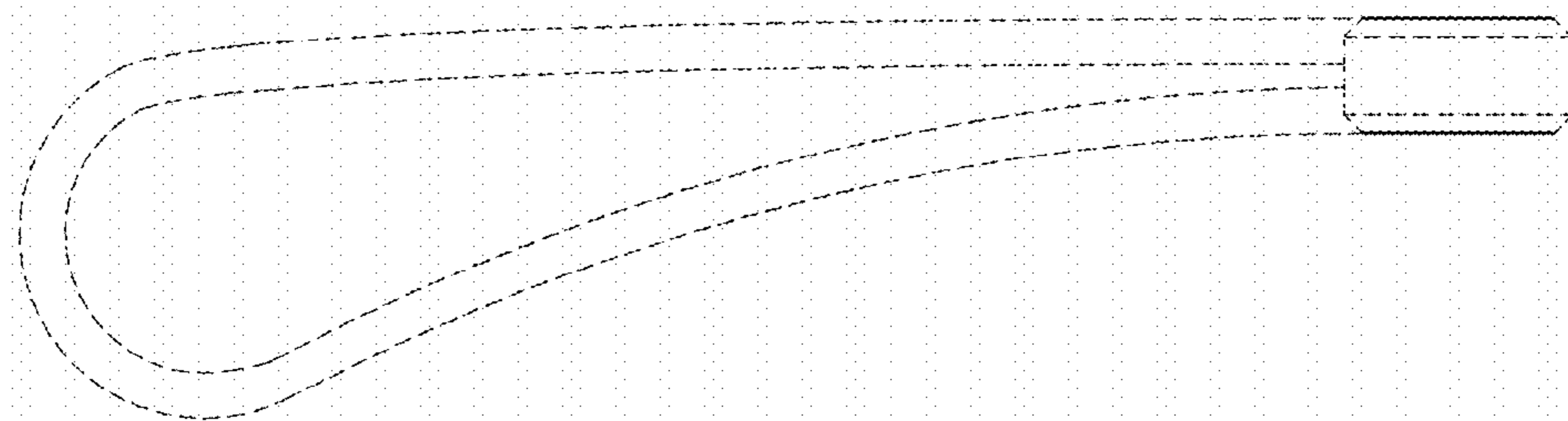


FIG. 25

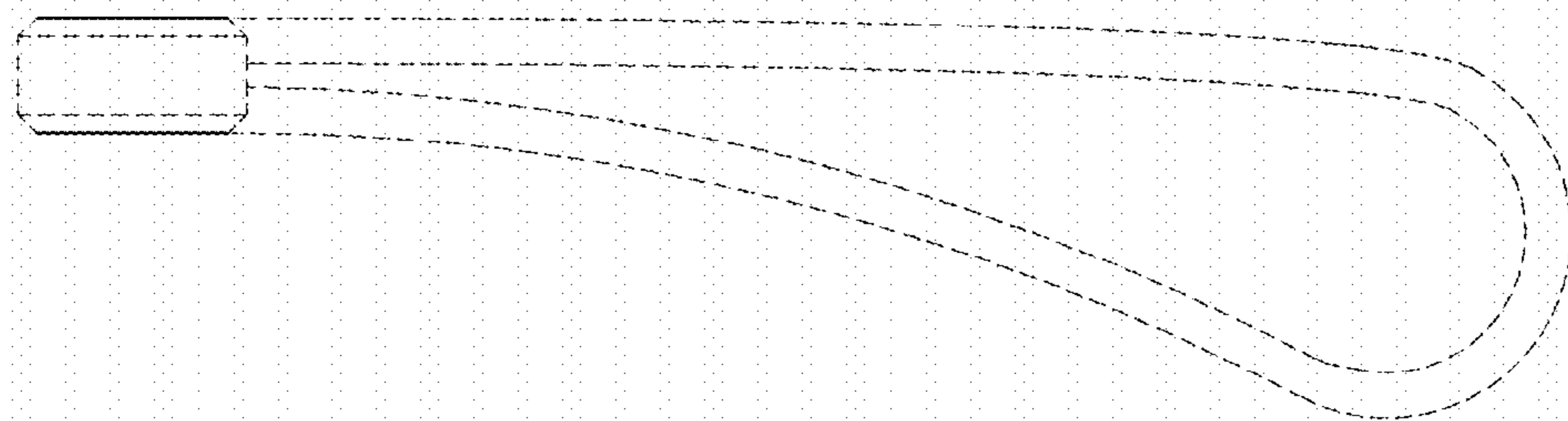


FIG. 26

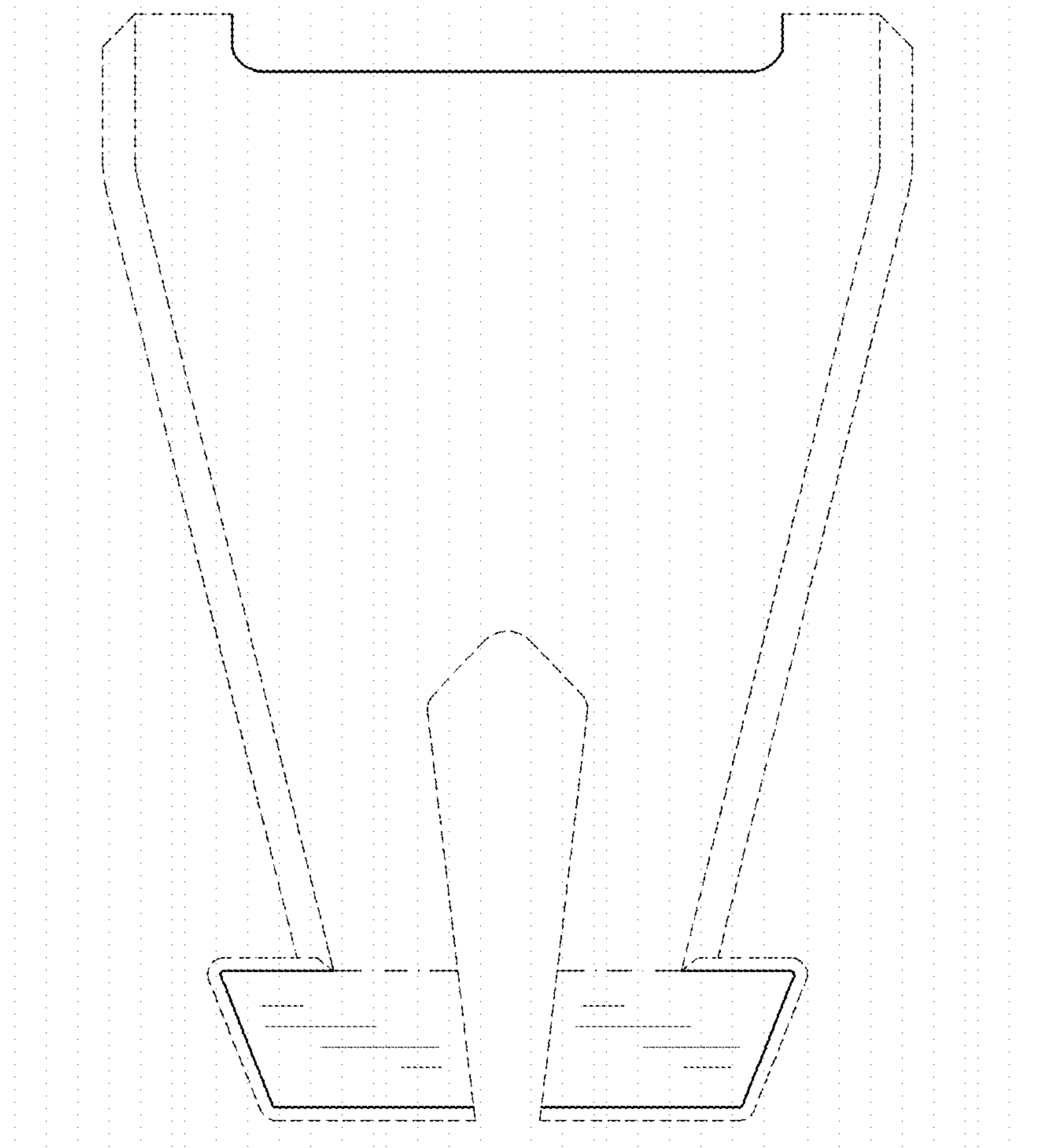


FIG. 27

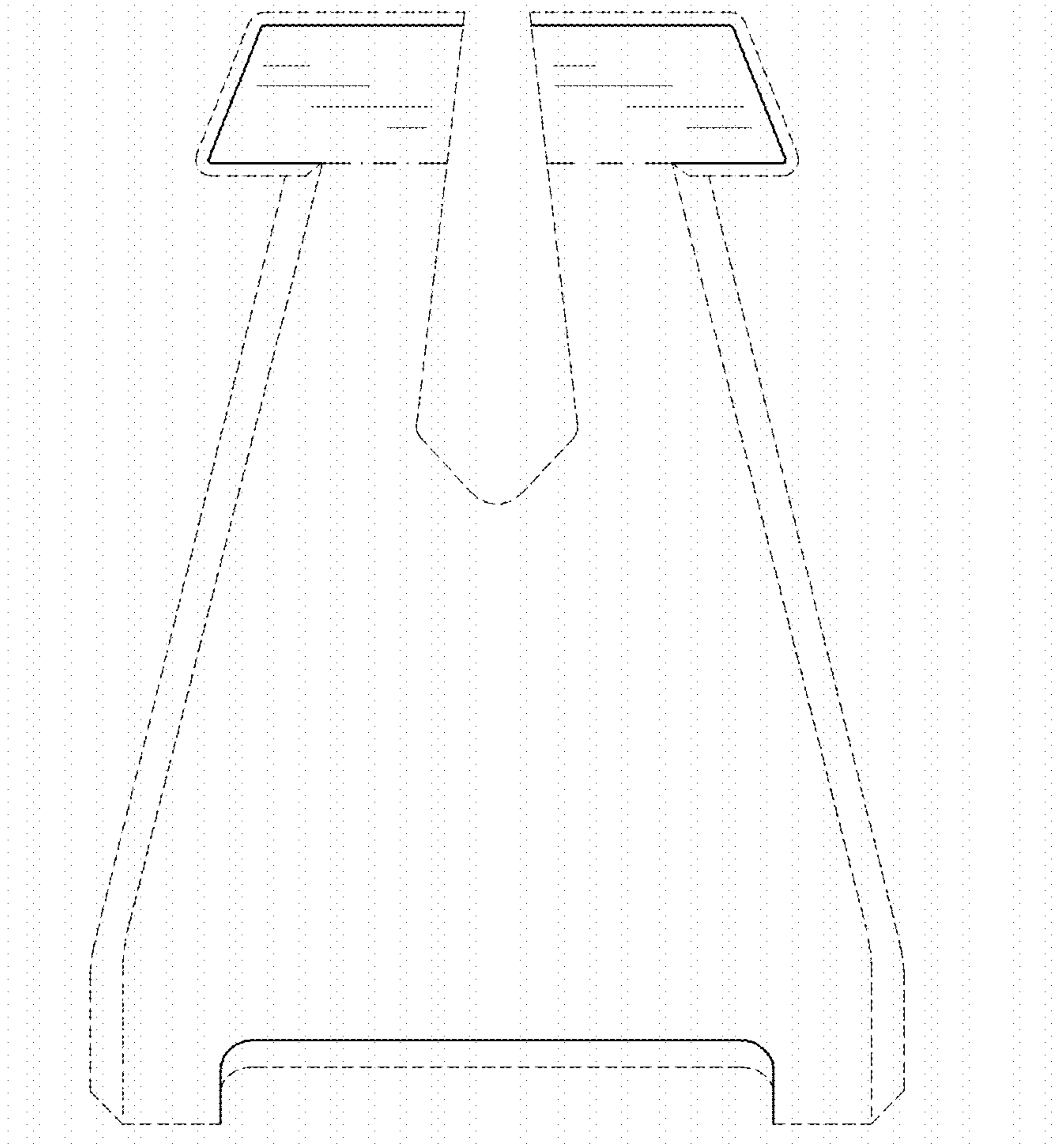


FIG. 28