



US00D798762S

(12) **United States Design Patent**
Calvani

(10) **Patent No.:** **US D798,762 S**

(45) **Date of Patent:** **** Oct. 3, 2017**

(54) **WATCH STRAP LINK**

(71) Applicant: **ROLEX WATCH U.S.A., Inc.**, New York, NY (US)

(72) Inventor: **Maria Cristina Calvani**, Cologny (CH)

(73) Assignee: **ROLEX WATCH U.S.A., Inc.**, New York, NY (US)

(**) Term: **15 Years**

(21) Appl. No.: **29/537,446**

(22) Filed: **Aug. 26, 2015**

(30) **Foreign Application Priority Data**

Feb. 26, 2015 (CH) 141311

(51) **LOC (10) Cl.** **11-01**

(52) **U.S. Cl.**
USPC **D11/93**

(58) **Field of Classification Search**
USPC D11/1-25, 32, 93, 94; 63/1.11, 3, 3.1,
63/3.2, 5.1, 5.2, 7-11; 59/78, 79.2;
224/175; D10/30-32
CPC A44C 5/00; A44C 5/0084; A44C 5/102;
A44C 5/105; A44C 5/107; A44C 5/185

See application file for complete search history.

(56) **References Cited**

U.S. PATENT DOCUMENTS

3,605,212 A *	9/1971	Bruner	A44C 5/14 24/265 B
D305,622 S *	1/1990	Wakamatsu	D11/5
D326,624 S *	6/1992	Cowan	D11/19
D382,504 S *	8/1997	Strasser	D11/12
D473,818 S *	4/2003	Salvisberg	D11/93
D643,772 S *	8/2011	Mikkelsen	D11/93

* cited by examiner

Primary Examiner — Zenia Bennett

(74) *Attorney, Agent, or Firm* — Sughrue Mion, PLLC

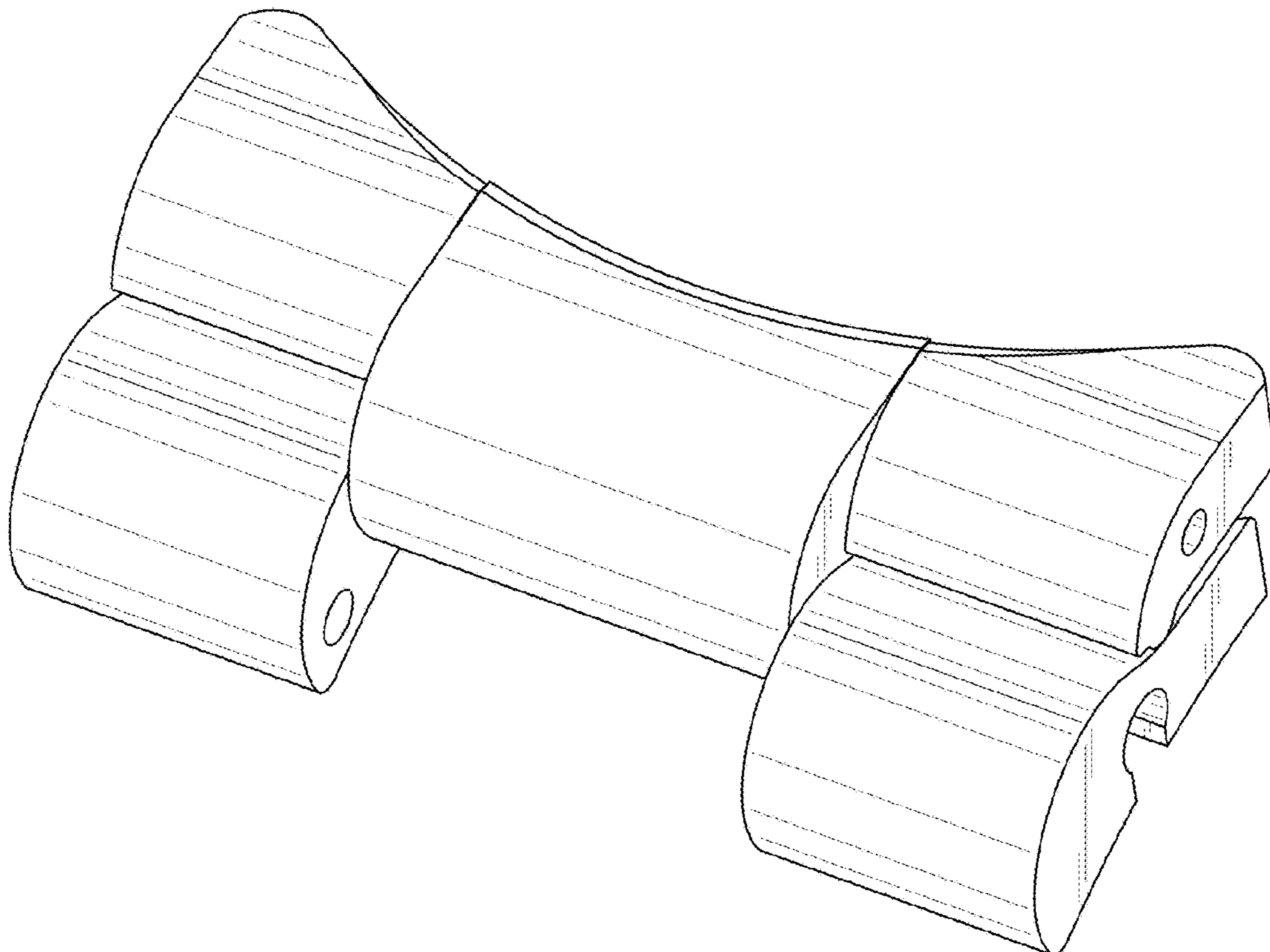
(57) **CLAIM**

The ornamental design for a watch strap link, as shown and described.

DESCRIPTION

FIG. 1 is a perspective view of the watch strap link according to my new design;
FIG. 2 is a front view thereof;
FIG. 3 is a rear side view thereof;
FIG. 4 is a left side view thereof;
FIG. 5 is a right side view thereof;
FIG. 6 is a top view thereof; and,
FIG. 7 is a bottom view thereof.

1 Claim, 7 Drawing Sheets



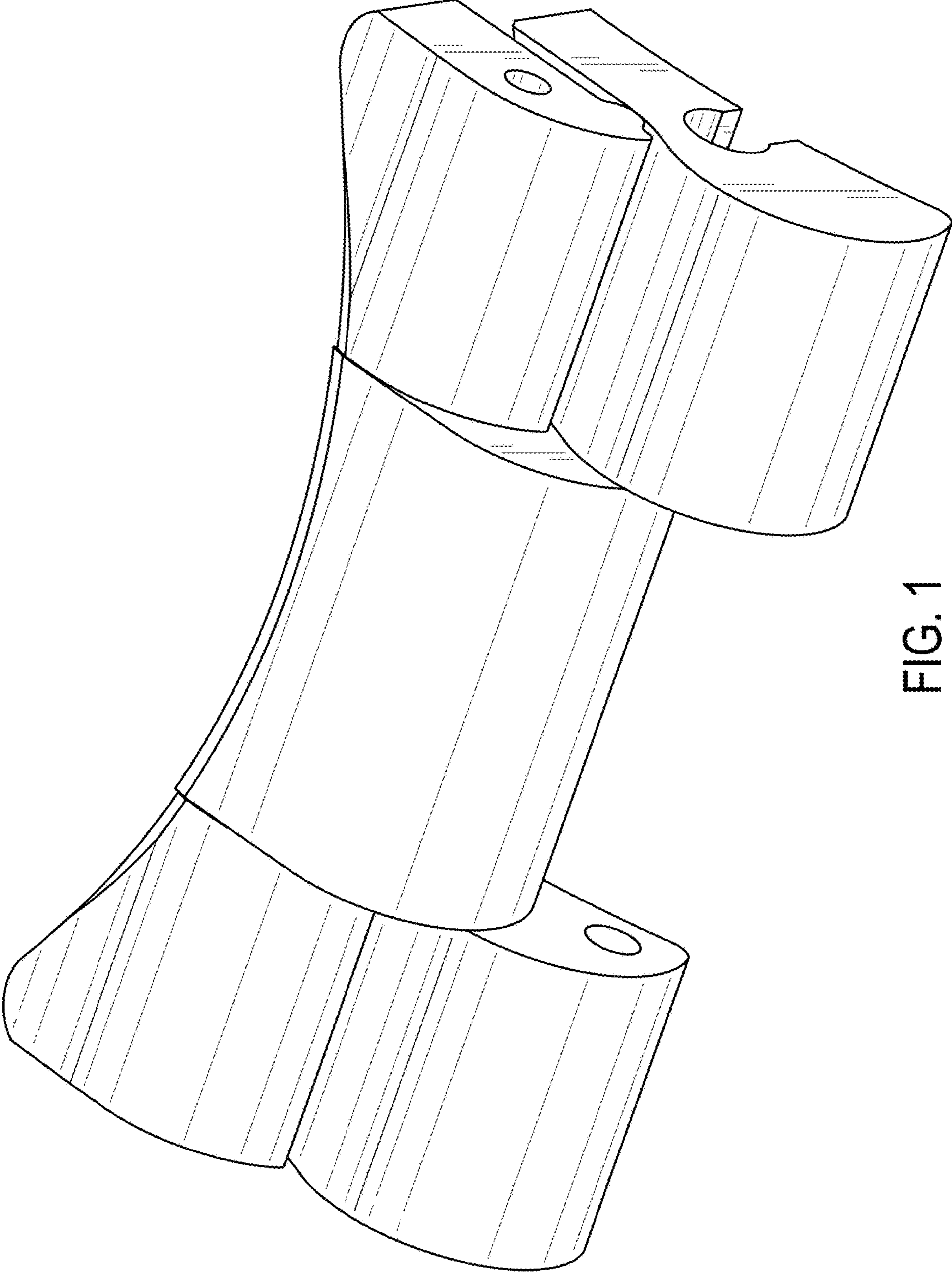


FIG. 1

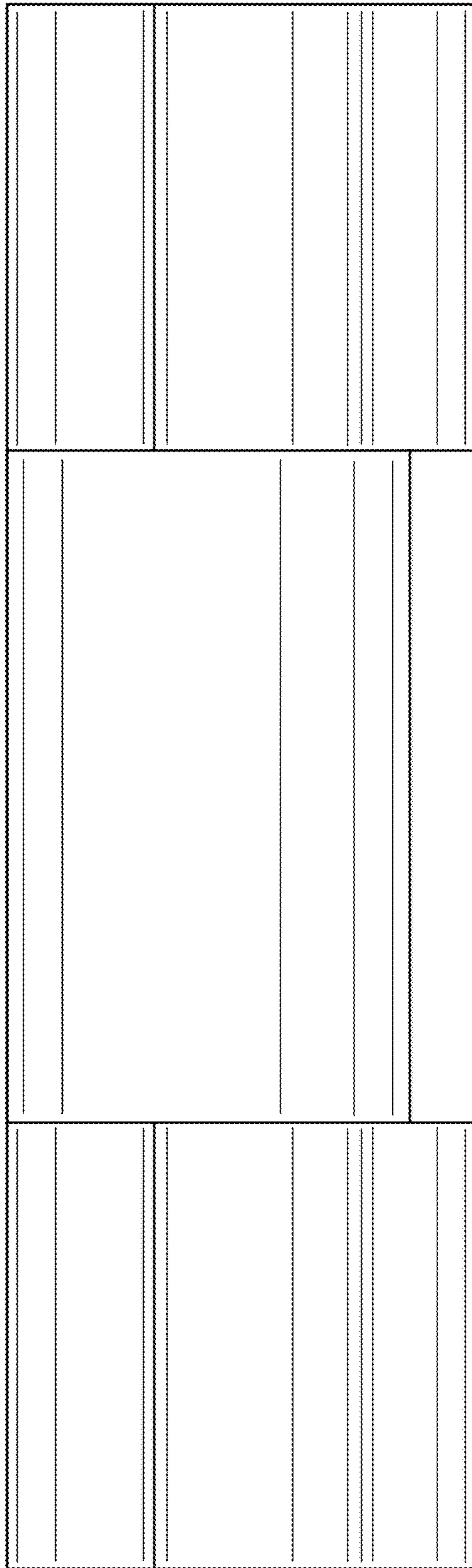


FIG. 2

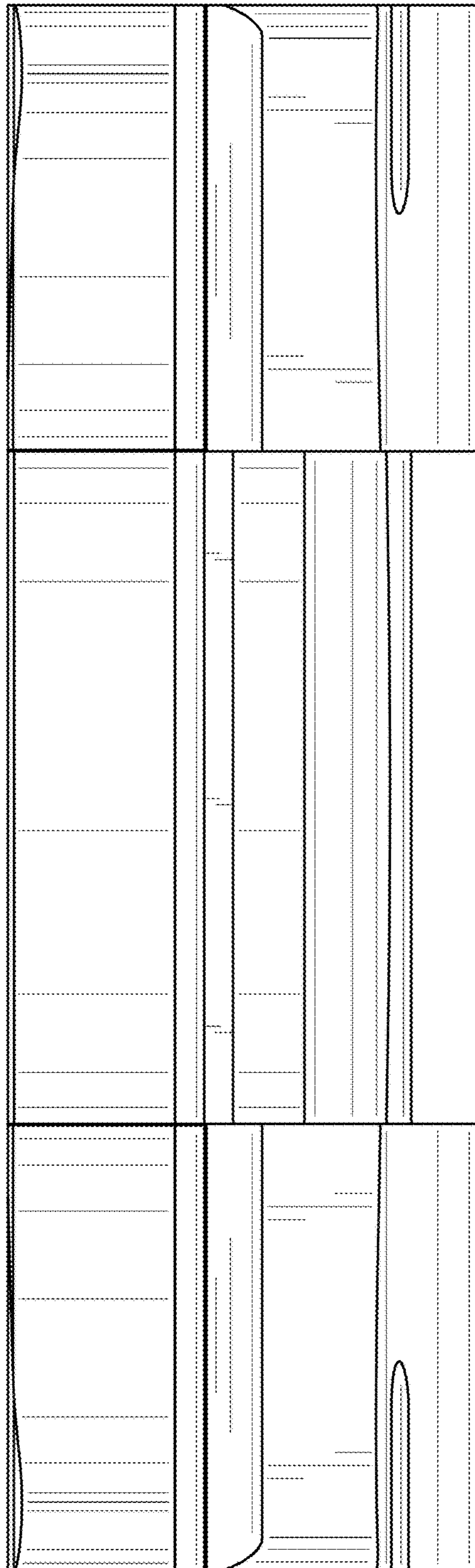


FIG. 3

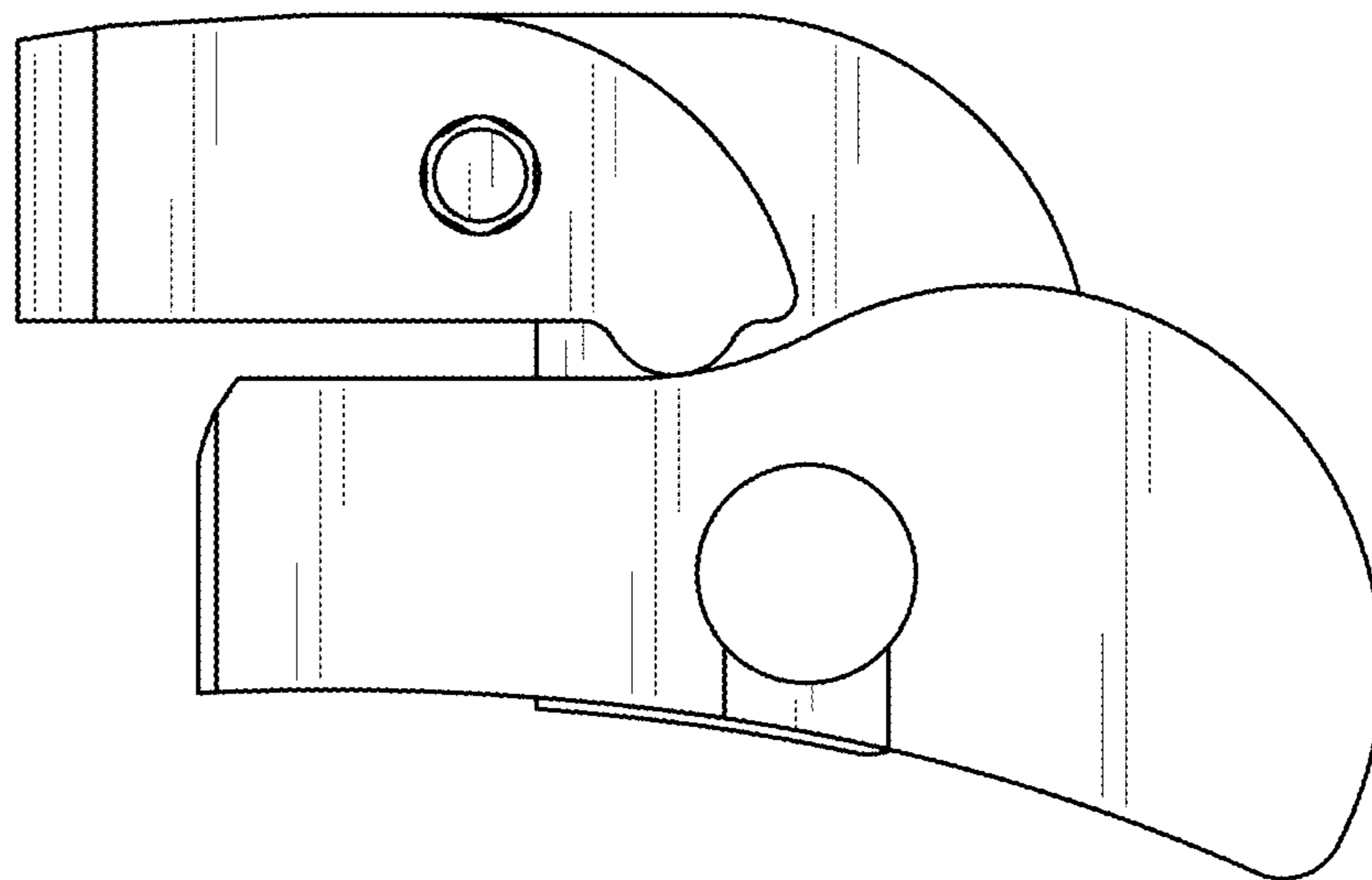


FIG. 4

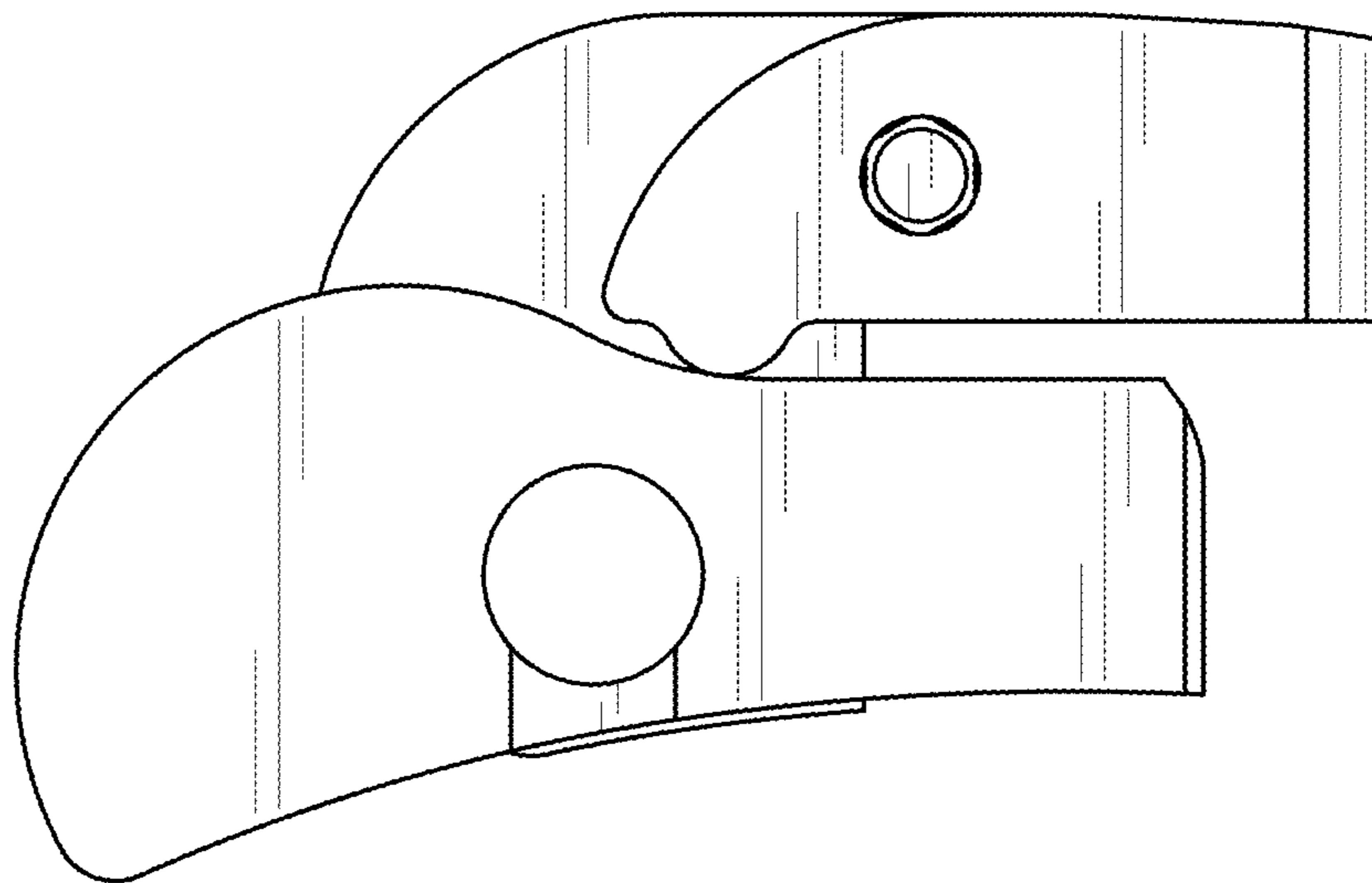


FIG. 5

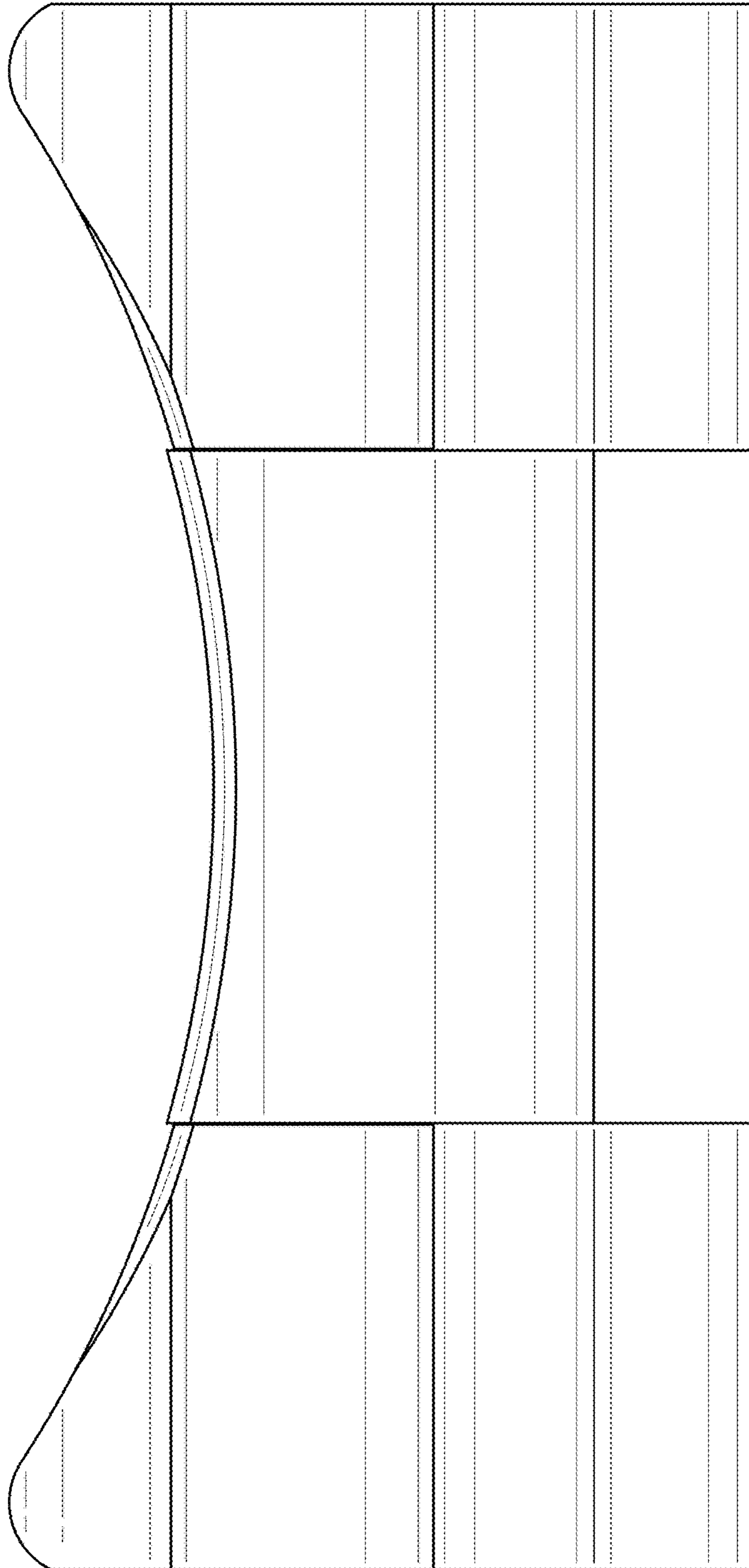


FIG. 6

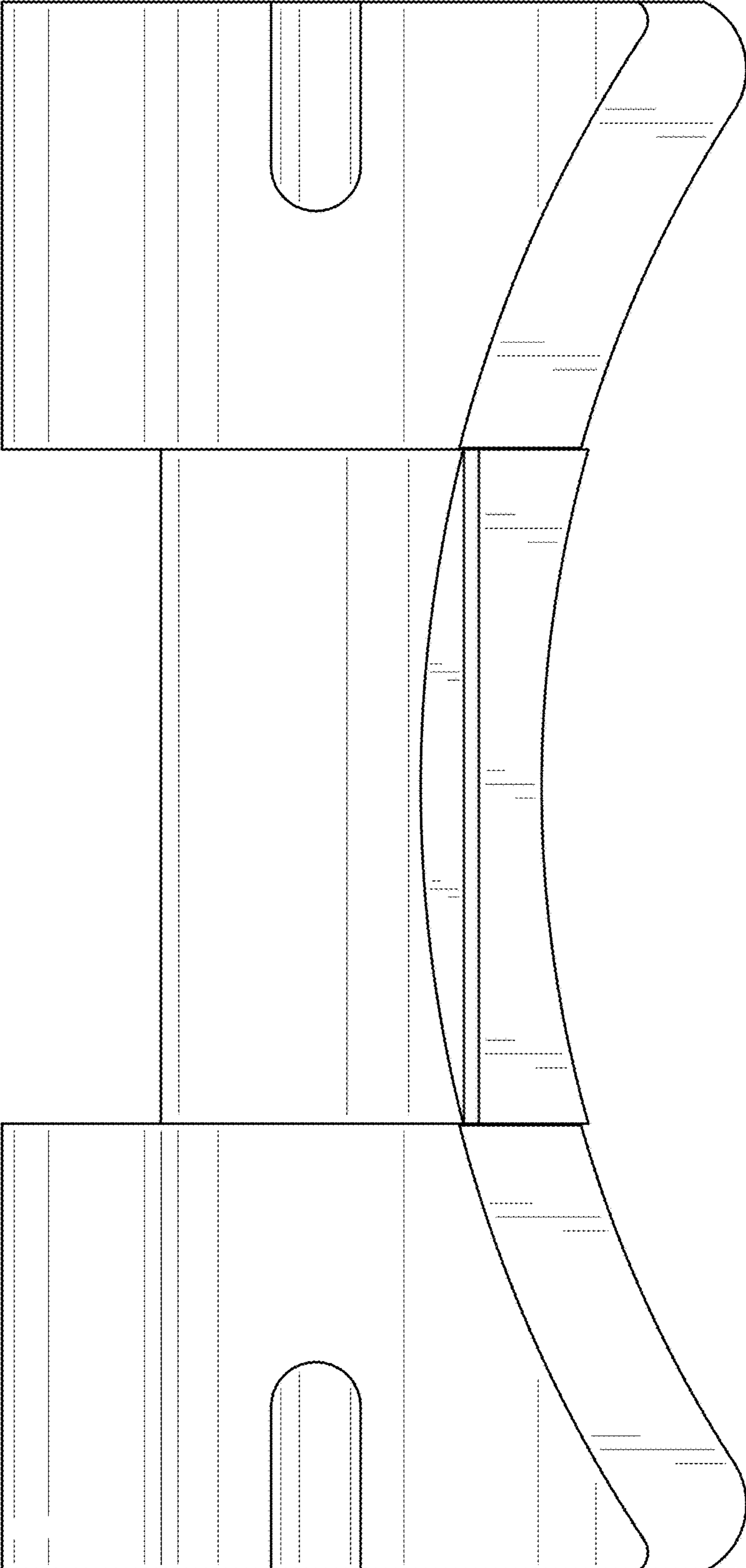


FIG. 7