



US00D798760S

(12) **United States Design Patent** (10) **Patent No.:** **US D798,760 S**
Akana et al. (45) **Date of Patent:** **** Oct. 3, 2017**

(54) **BAND**

(71) Applicant: **Apple Inc.**, Cupertino, CA (US)

(72) Inventors: **Jody Akana**, San Francisco, CA (US); **Bartley K. Andre**, Palo Alto, CA (US); **Shota Aoyagi**, San Francisco, CA (US); **Anthony Michael Ashcroft**, San Francisco, CA (US); **Jeremy Bataillou**, San Francisco, CA (US); **Daniel J. Coster**, San Francisco, CA (US); **Daniele De Iuliis**, San Francisco, CA (US); **M. Evans Hankey**, San Francisco, CA (US); **Julian Hoenig**, San Francisco, CA (US); **Richard P. Howarth**, San Francisco, CA (US); **Jonathan P. Ive**, San Francisco, CA (US); **Duncan Robert Kerr**, San Francisco, CA (US); **Marc A. Newson**, London (GB); **Matthew Dean Rohrbach**, San Francisco, CA (US); **Peter Russell-Clarke**, San Francisco, CA (US); **Benjamin Andrew Shaffer**, San Jose, CA (US); **Mikael Silvano**, San Francisco, CA (US); **Christopher J. Stringer**, Woodside, CA (US); **Eugene Antony Whang**, San Francisco, CA (US); **Rico Zörkendörfer**, San Francisco, CA (US)

(73) Assignee: **Apple Inc.**, Cupertino, CA (US)

(**) Term: **15 Years**

(21) Appl. No.: **29/598,190**

(22) Filed: **Mar. 23, 2017**

Related U.S. Application Data

(63) Continuation of application No. 29/520,565, filed on Mar. 16, 2015, now Pat. No. Des. 782,358, which is a continuation of application No. 29/498,995, filed on Aug. 11, 2014, now Pat. No. Des. 724,469.

(51) **LOC (10) Cl.** **11-01**

(52) **U.S. Cl.**

USPC **D11/3**

(58) **Field of Classification Search**

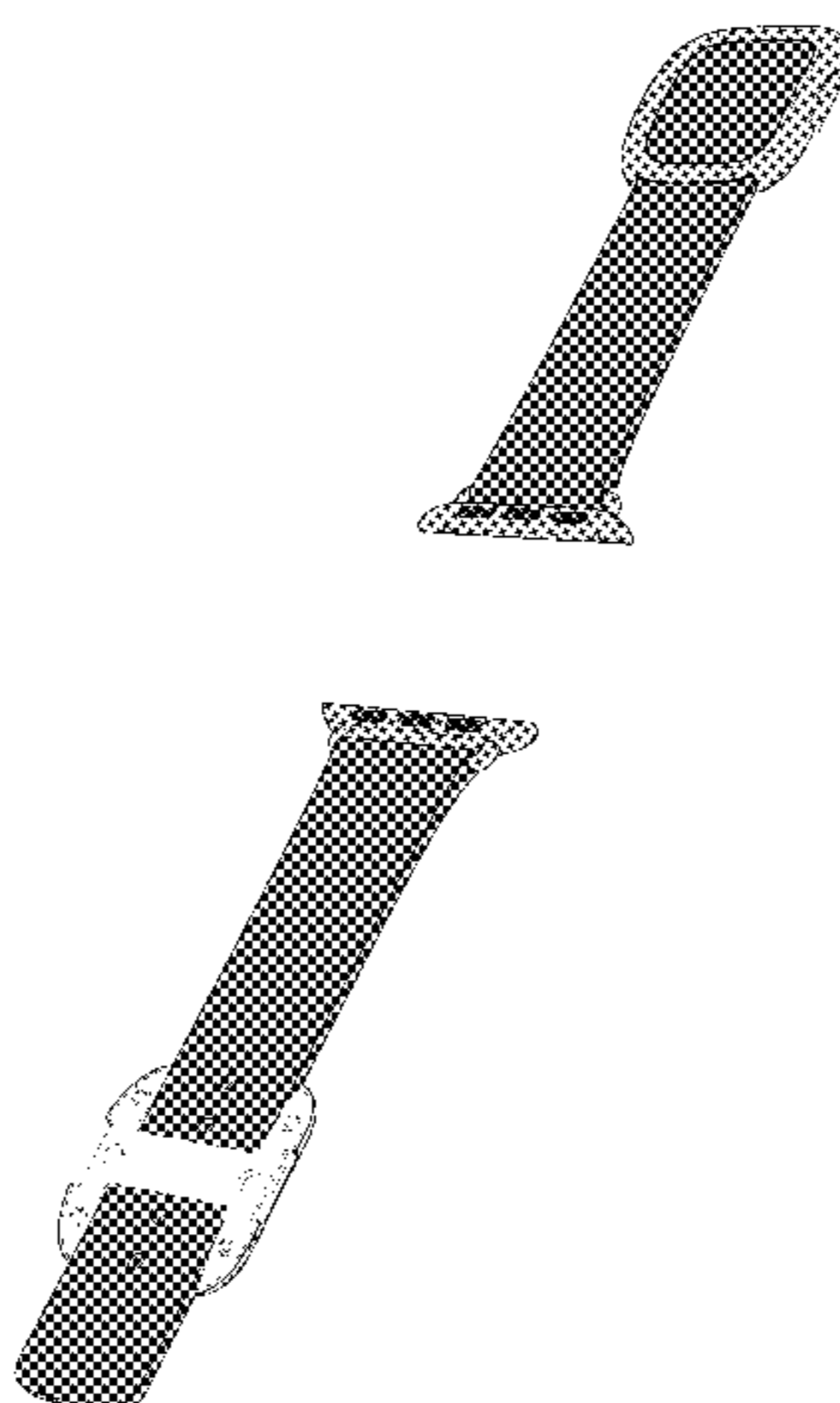
USPC D11/1-25, 86, 87, 93, 94, 234, 235, 231; D10/30-39, 70, 46; 368/282, 285; 600/301; 224/164, 175
CPC G04B 37/1486; G04B 37/16; G04B 37/18; A44C 5/14; A44C 5/0053; A44C 5/0069; A44C 5/0076; A44C 5/00; A44C 5/0007; A44C 5/0015; A44C 5/0023; A44C 5/003; A44C 5/0061; A44C 5/12; A44C 5/147; A44C 5/18; A44C 5/185; A44C 5/2047; A44C 5/2052; A44B 11/006; A44B 11/24

See application file for complete search history.

(56) **References Cited**

U.S. PATENT DOCUMENTS

482,289 A	9/1892	Ziegler	
505,473 A	9/1893	Mehring	
1,591,295 A	7/1926	Donaldson	
1,712,734 A	5/1929	Kraemer	
2,280,490 A	4/1942	Keltie	
D152,491 S	1/1949	Osier	
D163,987 S *	7/1951	Barre	D10/38
2,749,634 A	6/1956	Billett	
2,954,622 A *	10/1960	Moore	A44C 5/0015 40/662
3,030,686 A	4/1962	Burkhardt	
3,251,110 A	5/1966	Hedu	
3,640,065 A	2/1972	Lederrey et al.	
3,665,565 A	5/1972	Kruger	
3,675,284 A	7/1972	Rieth	
3,889,411 A	6/1975	Laugherty et al.	
3,983,604 A	10/1976	Phillips	
D269,254 S	6/1983	Kishimoto	
4,470,174 A	9/1984	Rhea	
D287,471 S	12/1986	Sato et al.	
D299,718 S	2/1989	Steer et al.	
D305,422 S	1/1990	Steer et al.	
D320,566 S	10/1991	Ericson	
D322,160 S *	12/1991	Dauterive	D2/627
D331,020 S	11/1992	Ishii et al.	
D333,626 S	3/1993	Chang	
D349,864 S	8/1994	Dunlap et al.	
5,363,351 A	11/1994	Carney	
D353,932 S *	1/1995	New	D11/216
D355,375 S	2/1995	Bandy, II	



US D798,760 S

5,386,933	A	2/1995	Greene et al.	
5,758,443	A	6/1998	Pedrazzini	
D439,172	S	3/2001	Brzezinski	
D455,093	S	4/2002	Fitzgerald	
D473,818	S	4/2003	Salvisberg	
6,655,831	B1	12/2003	Ruffieux	
D494,098	S	8/2004	Cohen	
D496,589	S	9/2004	Perrenoud	
6,970,157	B2	11/2005	Siddeeq	
D513,195	S	12/2005	Gruosi	
7,004,469	B2	2/2006	von Goeben	
D519,052	S	4/2006	Watanabe	
D528,439	S	9/2006	Burton	
D528,928	S	9/2006	Burton	
7,106,197	B2	9/2006	Gaiotto et al.	
D536,265	S	2/2007	Reynoso	
D538,687	S	3/2007	Komulainen	
D549,602	S	8/2007	Oberrieder et al.	
D550,105	S	9/2007	Oberrieder et al.	
D558,227	S	12/2007	Cho et al.	
D560,520	S	1/2008	Oberrieder et al.	
D564,367	S	3/2008	Molyneux	
D566,580	S	4/2008	Giorgio	
D569,282	S	5/2008	Daniel	
D572,266	S	7/2008	Anderson et al.	
D573,905	S	7/2008	Poirier	
D574,735	S	8/2008	Landman et al.	
7,406,789	B2	8/2008	Story	
D578,922	S	10/2008	Hoshino	
D584,170	S	1/2009	Morrison	
D586,823	S	2/2009	Anderson et al.	
D589,375	S	3/2009	Tang	
D596,610	S	7/2009	Hou	
7,591,581	B2	9/2009	Lovegrove et al.	
D609,408	S *	2/2010	Labelson D30/152	
D610,476	S	2/2010	Daniel	
D616,417	S	5/2010	Liao	
7,708,457	B2	5/2010	Girardin et al.	
D628,510	S	12/2010	Maier	
D637,094	S	5/2011	Cobbett et al.	
D637,918	S	5/2011	Cobbett et al.	
D645,360	S	9/2011	Kiser et al.	
D650,706	S	12/2011	Zanella et al.	
D666,503	S	9/2012	Bulgari	
D670,583	S	11/2012	Shaanan	
D672,667	S	12/2012	Mix	
D681,483	S	5/2013	Biegert et al.	
D687,415	S *	8/2013	Vuillet D11/3	
8,601,784	B2	12/2013	Kaltenrieder	
D699,143	S	2/2014	Xu	
D699,701	S	2/2014	Kim	
D711,002	S	8/2014	Ohnemus et al.	
D714,288	S	9/2014	Aumiller et al.	
D717,678	S	11/2014	Anderssen et al.	
D717,679	S	11/2014	Anderssen et al.	
D718,170	S	11/2014	Aumiller et al.	
D724,469	S	3/2015	Akana et al.	
D724,556	S	3/2015	Choi et al.	
D727,197	S	4/2015	Akana et al.	
D727,198	S	4/2015	Akana et al.	
D727,199	S	4/2015	Akana et al.	
D728,624	S	5/2015	Akana et al.	
D729,652	S *	5/2015	Nuovo D10/32	
D731,346	S	6/2015	Akana et al.	
D732,416	S *	6/2015	Akana D11/3	
D737,156	S	8/2015	Akana et al.	
D737,157	S	8/2015	Akana et al.	
D737,158	S	8/2015	Akana et al.	
D737,159	S	8/2015	Akana et al.	
D739,780	S	9/2015	Akana et al.	
D741,726	S	10/2015	Akana et al.	
D744,356	S	12/2015	Akana et al.	
D745,421	S	12/2015	Akana et al.	
D746,707	S	1/2016	Akana et al.	
D748,008	S	1/2016	Akana et al.	
D748,009	S	1/2016	Akana et al.	
D748,010	S	1/2016	Akana et al.	
D748,527	S	2/2016	Akana et al.	
D749,009	S	2/2016	Akana et al.	

D749,460	S	2/2016	Akana et al.	
D751,070	S	3/2016	Akana et al.	
D752,044	S	3/2016	Akana et al.	
D756,357	S	5/2016	Akana et al.	
D758,363	S	6/2016	Akana et al.	
D759,011	S	6/2016	Akana et al.	
D759,725	S	6/2016	Akana et al.	
D764,340	S	8/2016	Akana et al.	
D764,346	S	8/2016	Akana et al.	
D766,752	S	9/2016	Akana et al.	
D768,634	S	10/2016	Akana et al.	
D771,035	S	11/2016	Akana et al.	
D771,036	S	11/2016	Akana et al.	
D771,037	S	11/2016	Akana et al.	
D778,912	S	2/2017	Akana et al.	
D780,059	S *	2/2017	Akana D11/94	
D782,358	S *	3/2017	Akana D11/94	
D790,366	S *	6/2017	Nuovo D10/103	
D790,382	S *	6/2017	Sasson D11/3	
2010/0061191	A1	3/2010	Chen	
2014/0096345	A1	4/2014	Tschumi	
2014/0098649	A1	4/2014	Tschumi	

FOREIGN PATENT DOCUMENTS

DE	10229050	C1	6/2003
DE	20319858	U1	4/2004
EP	1098231	A1	5/2001
EP	2636328	A1	9/2013
ES	002297770-0003		6/2013
GB	618917	A	3/1949
GB	2082277		6/1999
GB	2088761		2/2000
JP	H08336406	A	12/1996
JP	D1140196		4/2002
JP	D1263841		2/2006
JP	D1279761		8/2006
JP	D1296110		3/2007
JP	D1380179		2/2010
JP	D1494268		4/2014
JP	D1511746		11/2014
WO	WO-DM/012262-001		1/1989
WO	WO-DM/066491-004		3/2005
WO	WO-DM072215		9/2009
WO	WO-DM/077452-004		6/2011
WO	WO-2013182397	A1	12/2013
WO	WO-2014135709	A2	9/2014

OTHER PUBLICATIONS

Alvarez, Edgar, "Basis Peak to get its smartwatch-like features in December," [engadget.com](http://www.engadget.com/2014/11/20/basis-peak-new-features/), < <http://www.engadget.com/2014/11/20/basis-peak-new-features/>>, dated Nov. 20, 2014, accessed Dec. 15, 2014.

Cool Material, "Braun Square Digital Watch," < <http://web.archive.org/web/20111125033014/http://coolmaterial.com/style/braun-square-digital-watch/>>, dated Nov. 25, 2011, accessed Dec. 18, 2014.

Emily, "Nixon—The Newton Digital," < <http://www.freshnessmag.com/2009/09/08/nixon-the-newton-digital/>>, freshnessmag.com, dated Sep. 8, 2009, accessed Oct. 9, 2014.

etsy.com, "1 Set Silver End Cap Clasp—Findings Large Toggle Clasp End Caps Buckle Connector with Five Inside Loops for Jewelry Making 26mm," < <http://www.etsy.com/listing/101269004/1-set-silver-end-cap-clasp-findings?ref=market>>, Listed on Aug. 29, 2014, accessed Oct. 9, 2014.

Fitbit, "Fitbit Surge™ Fitness Super Watch" < <https://www.fitbit.com/surge>>, accessed Dec. 15, 2014.

geekbuying.com, "Makibes unisex red led digital wrist watch with square case silicone watchband—white," < <http://www.geekbuying.com/item/Unisex-Red-LED-Digital-Wrist-Watch-with-Square-Case-Silicone-Watchband---White-326443.html>>, accessed Oct. 9, 2014.

Hodinkee.com, "Apple iPod Nano Now Available With Mickey Mouse Dial, Also Cheesy, Mechanically Inaccurate Open-Worked

Dial,”< <http://web.archive.org/web/20111006043916/http://www.hodinkee.com/blog/2011/10/5/apple-ipod-nano-now-available-with-mickey-mouse-dial-also-ch.html>>, dated Oct. 6, 2011, accessed Dec. 18, 2014.

Homego, “M6 Silver Smart Watch Cell Phone 1.54 inch Bluetooth 3.0 Dialer Outdoor Sports Pedometer,” amazon.com,< <http://www.amazon.com/Silver-Bluetooth-Dialer-Outdoor-Pedometer/dp/B00MQTBGK6>>, accessed Dec. 15, 2014.

Ikepod, “Original Ikepod Watch With GMT—Marc Newson Design,” Watchbox.be,< <http://www.watchbox.be/prod/Other-Watches/Marc%20Newson%20Design/item7165.htm#>

VJLm2fAo5D8>, accessed Dec. 17, 2014.

LG Life’s Good, “LG G Watch (W100),”< <http://www.lg.com/us/smart-watches/lg-W100-g-watch>>, accessed Dec. 18, 2014.

Metawatch, “Frame—Black (MW3005),”< <http://meta.watch/collections/smartwatch-all/products/frame-ss-black-leather>>, accessed Dec. 15, 2014.

Ornate, “The TrueSmart™ is the world’s first standalone smartwatch 2.0 running on top of Android and OUI 2.0,”< <http://www.ornate.com/product.html>>, accessed Dec. 15, 2014.

[Online]< <http://everydaydigitals.com/heres-what-i-think/21/apples-wearable-device-will-be-more-nike-fuel-band-than-pebble-watch>> Retrieved on Dec. 25, 2014.

[Online]< <http://www.computerworlduk.com/slideshow/mobile-wireless/3573389/the-many-looks-of-the-apple-watch/6/#content>> Retrieved on Dec. 25, 2014.

[Online] http://i.ytimg.com/vi/Ab_oapZ8GpM/maxresdefault.jpg, accessed on Mar. 30, 2015.

[Online] <http://ttb.thetechblock.netdna-cdn.com/wp-content/uploads/2014/09/apple-watch-31.jpg>, accessed on Mar. 30, 2015.

Pebble, “Pebble Smartwatch,” getpebble.com,< <https://getpebble.com/checkout>>, accessed Dec. 15, 2014.

Samsung, “Samsung Gear™ 2 Charcoal Black SM-R3800VSAXAR,”< <http://www.samsung.com/us/mobile/wearable-tech/SM-R3800VSAXAR>>, accessed Dec. 15, 2014.

Samsung, “Samsung Gear S™, (Sprint), Black SM-R750PZKASPR,”< <http://www.samsung.com/us/mobile/wearable-tech/SM-R750PZKASPR>>, accessed Dec. 15, 2014.

Samsung, “Galaxy Gear™ Live, Black SM-R3820ZKAXAR,”< <http://www.samsung.com/us/mobile/wearable-tech/SM-R3820ZKAXAR>>, accessed Dec. 15, 2014.

Sony, “SmartWatch,”< <http://www.sonymobile.com/us/products/accessories/smartwatch/>>, accessed Dec. 15, 2014.

Sony, “SmartWatch 3 SWR50,”< <http://www.sonymobile.com/us/products/smartwear/smartwatch-3-swr50/>>, accessed Dec. 15, 2014.

Stables, James, “Clevercare smartwatch aims to help Alzheimer’s suffers and carers: Revamped Sony SmartWatch 2 designed for users that need care,” Wearable News,< <http://www.wearable.com/wearable-tech/clevercare-smartwatch-aims-to-help-alzheimers-suffers-and-carers-585>>, dated Dec. 15, 2014.

Team Luxe, “Collector’s Edition: Hermes Carre H Watch,” Luxpresso,< <http://luxpresso.com/news-couture/collectors-edition-hermes-carre-h-watch/2814>>, dated Jan. 10, 2011, accessed Dec. 18, 2014.

Ted Baker, “Ted Baker Men’s TE1054 Time Flies Contemporary Square Digital Case Watch,”< <http://www.amazon.com/Ted-Baker-TE1054-Contemporary-Digital/dp/B0045CRTYO%3FSub-criptionId%3DAKIAJ3U4YRIBWCGGKZ2A%26tag%3D-frases36520%26linkCode%3Dsp1%26camp%3D2025%26creative%3D165953%26creativeASIN%3DB0045CRTYO>>, accessed Oct. 9, 2014.

Velazco, Chris, “ASUS ZenWatch review: subtle and stylish, with a few shortcomings,” Engadget.com,< <http://www.engadget.com/2014/12/11/asus-zenwatch-review/>>, dated Dec. 11, 2014, accessed Dec. 15, 2014.

Watches Infoniac.com, “Hermes Carre H Watch—Extremely Contemporary Design,”< <http://watches.infoniac.com/carre-h-watch-hermes.html>>, dated Aug. 13, 2010, accessed Dec. 18, 2014.

Watchismo, “Braun BN0042 Black Date Leather,”< <http://web.archive.org/web/20130815073830/http://www.watchismo.com/braun-bn0042bkbk.aspx>>, dated Aug. 15, 2013, accessed Dec. 18, 2014.

* cited by examiner

Primary Examiner — Melanie Pellegrini

(74) *Attorney, Agent, or Firm* — Sterne, Kessler, Goldstein & Fox P.L.L.C.

(57)

CLAIM

The ornamental design for a band, as shown and described.

DESCRIPTION

FIG. 1 is a bottom front perspective view of a band showing the claimed design;

FIG. 2 is a bottom rear perspective view thereof

FIG. 3 is a front view thereof;

FIG. 4 is a rear view thereof;

FIG. 5 is a left side view thereof;

FIG. 6 is a right side view thereof;

FIG. 7 is a top view thereof;

FIG. 8 is a bottom view thereof; and,

FIG. 9 is a perspective view thereof showing the band in an environment in which it may be used.

The broken lines in the figures show portions of the band and environment that form no part of the claimed design.

The figures are illustrated to show contrasting appearance. Areas of the band that appear in different shades of gray represent areas with contrasting appearances.

1 Claim, 5 Drawing Sheets

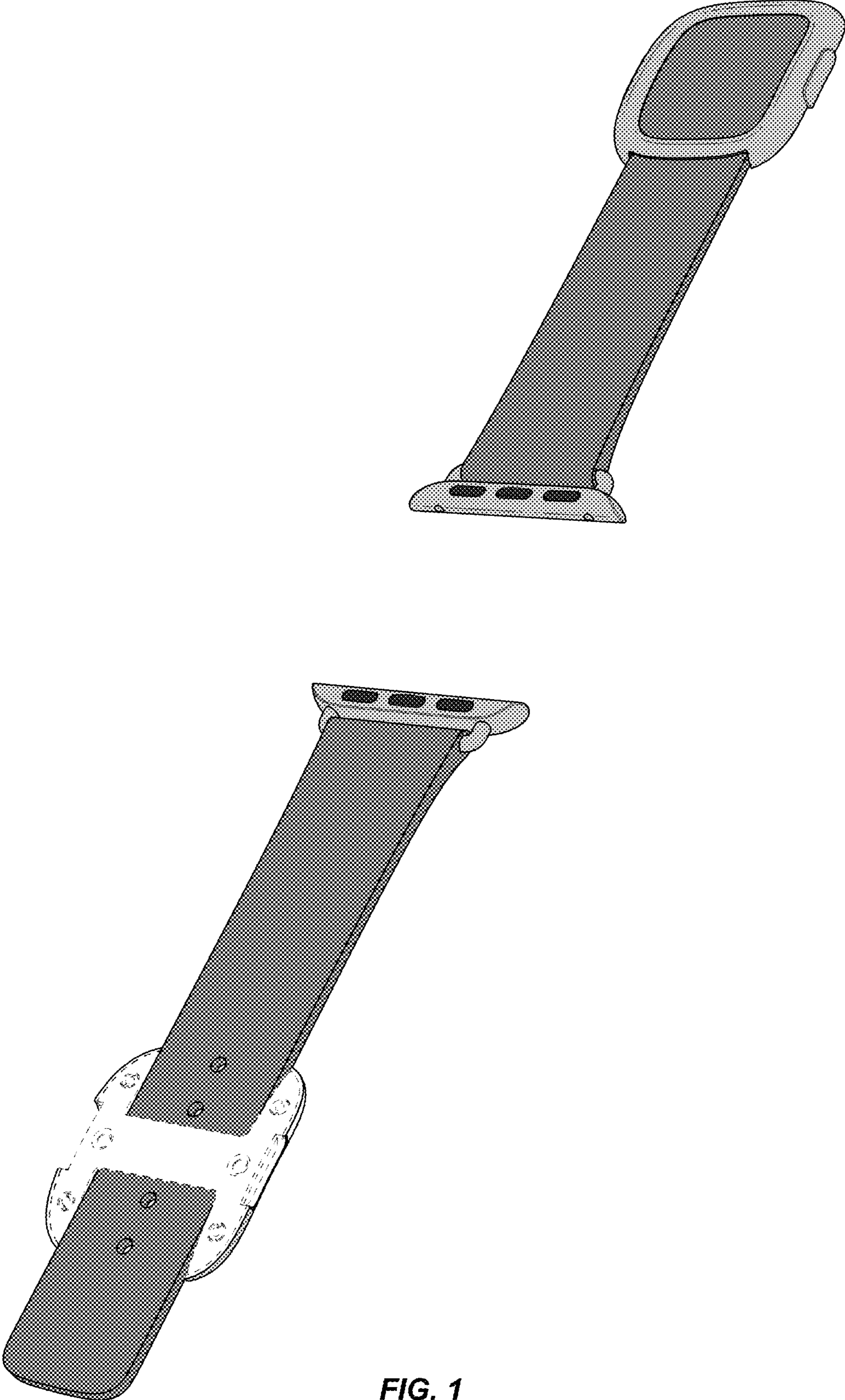


FIG. 1

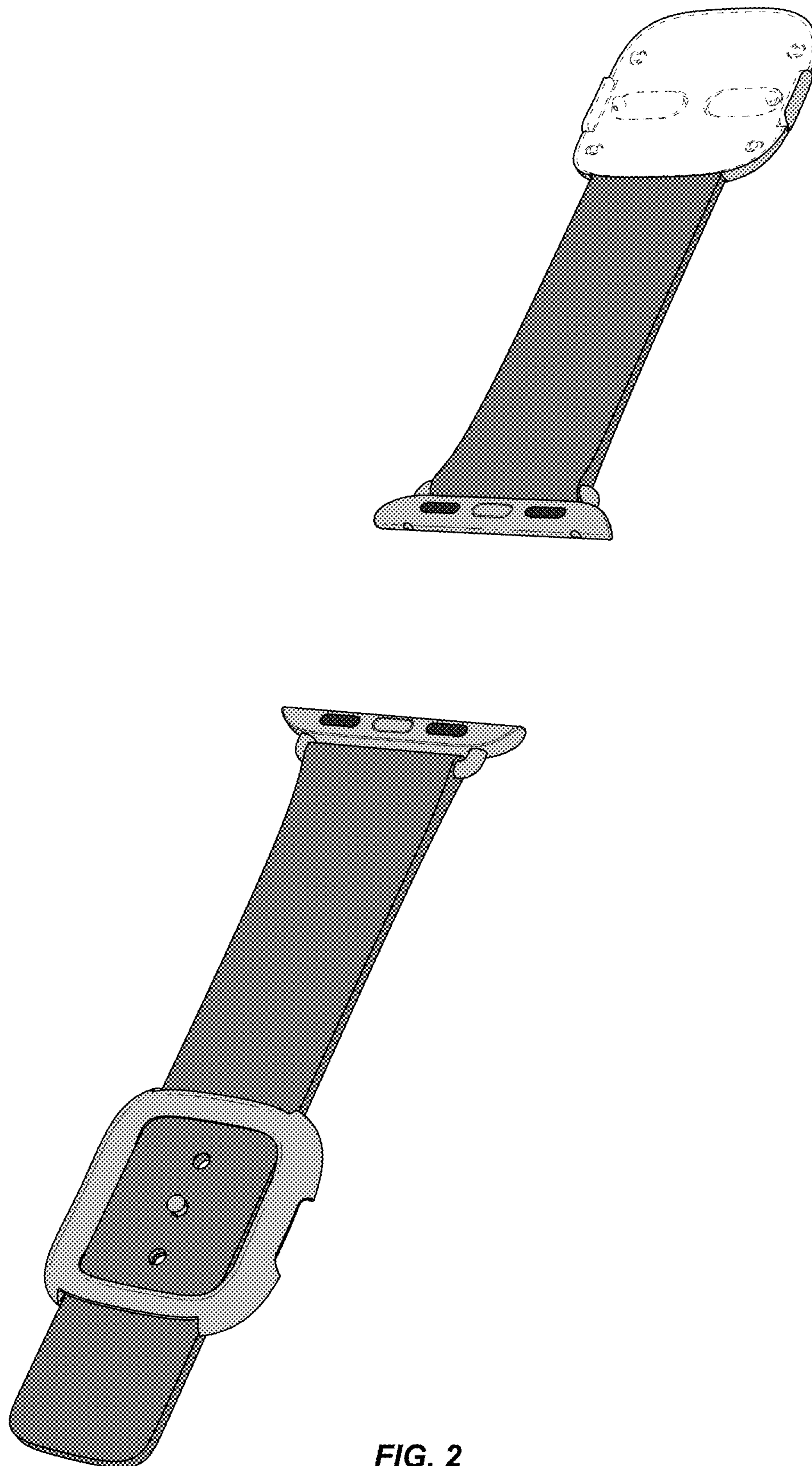


FIG. 2

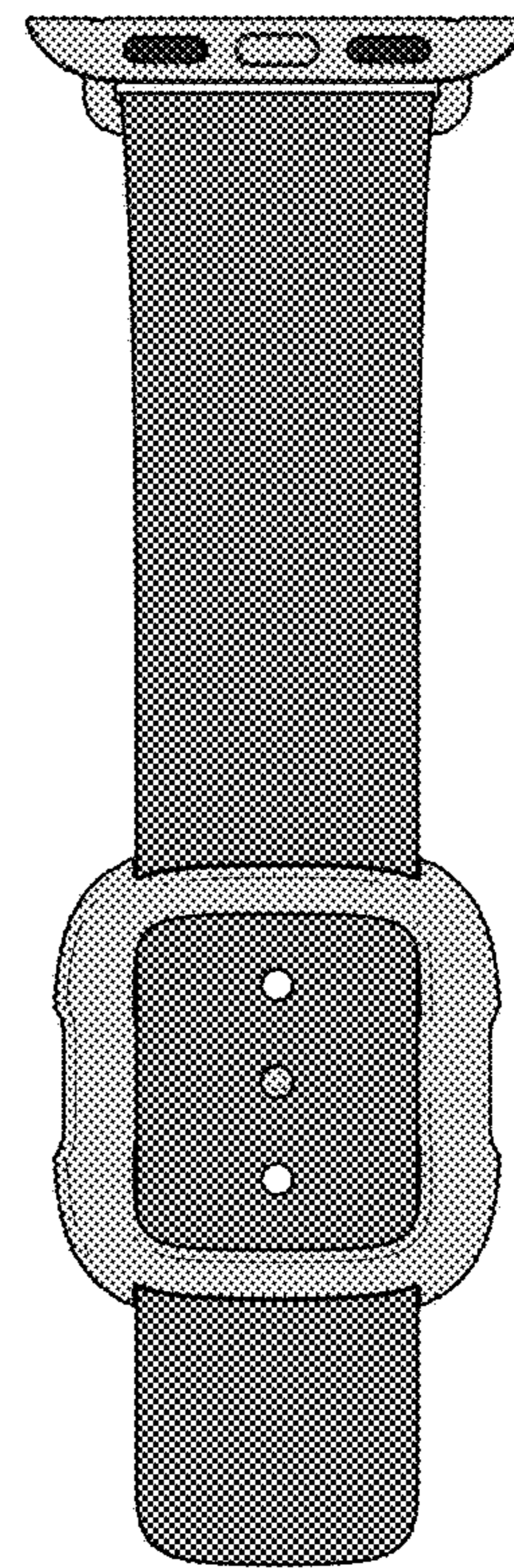
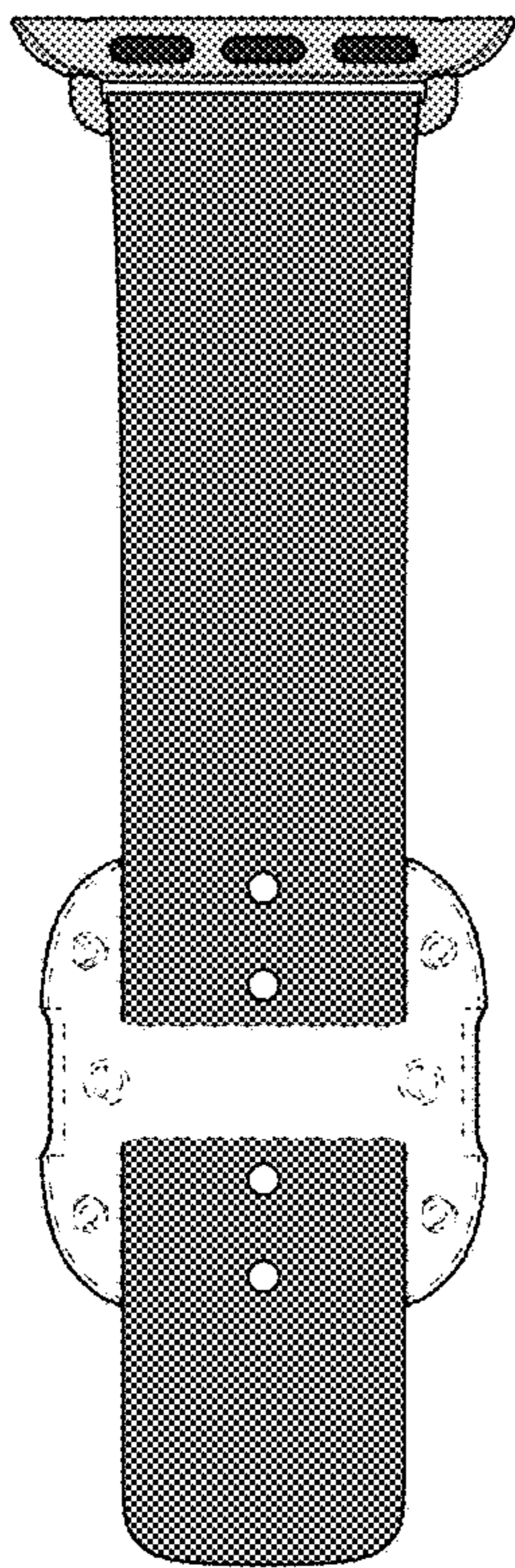
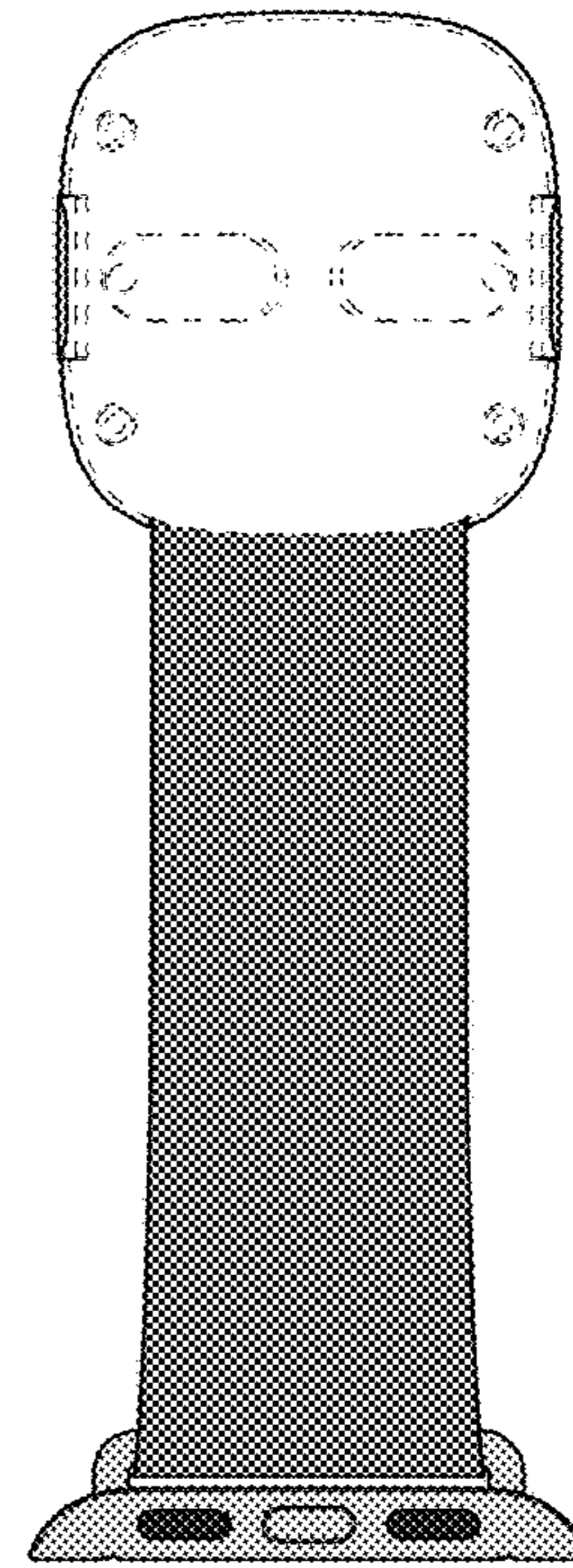
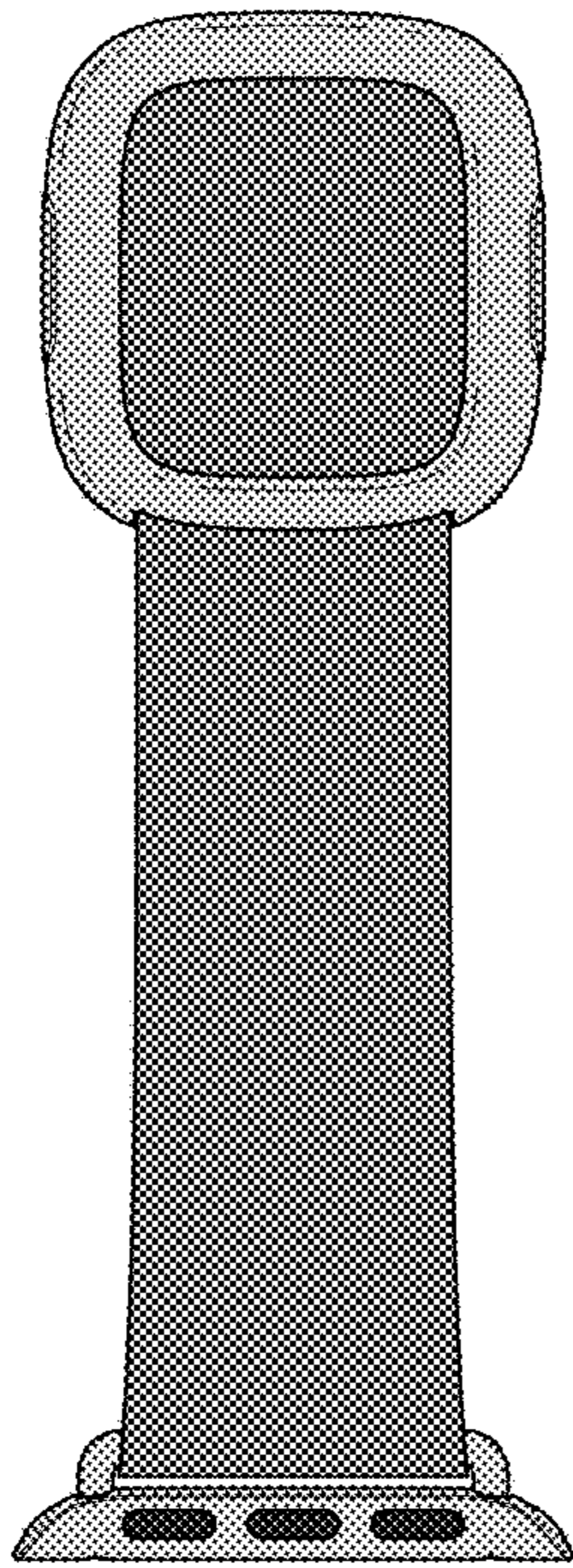


FIG. 3

FIG. 4

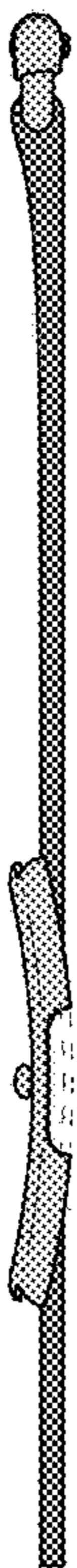
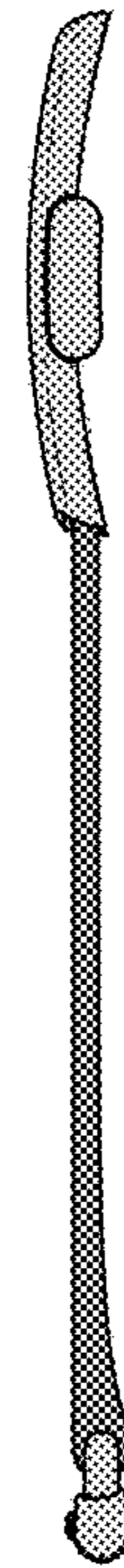
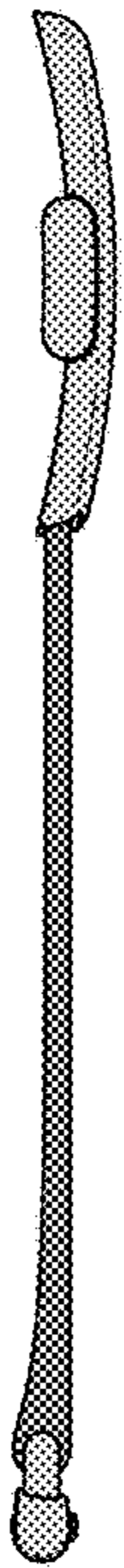


FIG. 5

FIG. 6

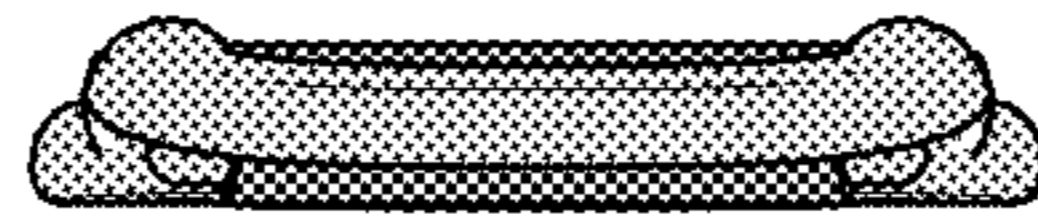


FIG. 7



FIG. 8