



US00D798758S

(12) **United States Design Patent**  
**Krishnaswamy**

(10) **Patent No.:** **US D798,758 S**

(45) **Date of Patent:** **\*\* Oct. 3, 2017**

(54) **BACKUP ALARM**

(71) Applicant: **Ramasamy Krishnaswamy,**  
Coimbatore (IN)

(72) Inventor: **Ramasamy Krishnaswamy,**  
Coimbatore (IN)

(\*\*) Term: **15 Years**

(21) Appl. No.: **29/555,880**

(22) Filed: **Feb. 25, 2016**

(30) **Foreign Application Priority Data**

Nov. 27, 2015 (IN) ..... 277892

(51) **LOC (10) Cl.** ..... **10-06**

(52) **U.S. Cl.**  
USPC ..... **D10/120**

(58) **Field of Classification Search**

USPC ..... D10/109.1, 109.2, 111, 113.1–113.4,  
D10/114.1, 114.2, 114.6, 114.9, 116.1,  
D10/119.2, 120; D13/103, 117;  
D26/37–42, 46, 48–51

CPC ..... F21W 2111/10; F21L 4/005; F21L 4/022;  
F21L 4/025; F21L 4/027; F21L 4/08

See application file for complete search history.

(56) **References Cited**

**U.S. PATENT DOCUMENTS**

D279,965 S \* 8/1985 Mikami ..... D10/120  
D347,596 S \* 6/1994 Jackson ..... D10/106.1  
D485,201 S \* 1/2004 Corrigan ..... D10/120

D513,200 S \* 12/2005 Lai ..... D10/120  
D513,599 S \* 1/2006 Coward ..... D10/120  
D513,709 S \* 1/2006 Coward ..... D10/120  
D514,010 S \* 1/2006 Corrigan ..... D10/120  
D514,466 S \* 2/2006 Lai ..... D10/120  
D514,973 S \* 2/2006 Coward ..... D10/120  
D516,448 S \* 3/2006 Lai ..... D10/120

\* cited by examiner

*Primary Examiner* — George D. Kirschbaum

*Assistant Examiner* — Joseph J Kukella

(74) *Attorney, Agent, or Firm* — Whitham, Curtis &  
Cook, P.C.

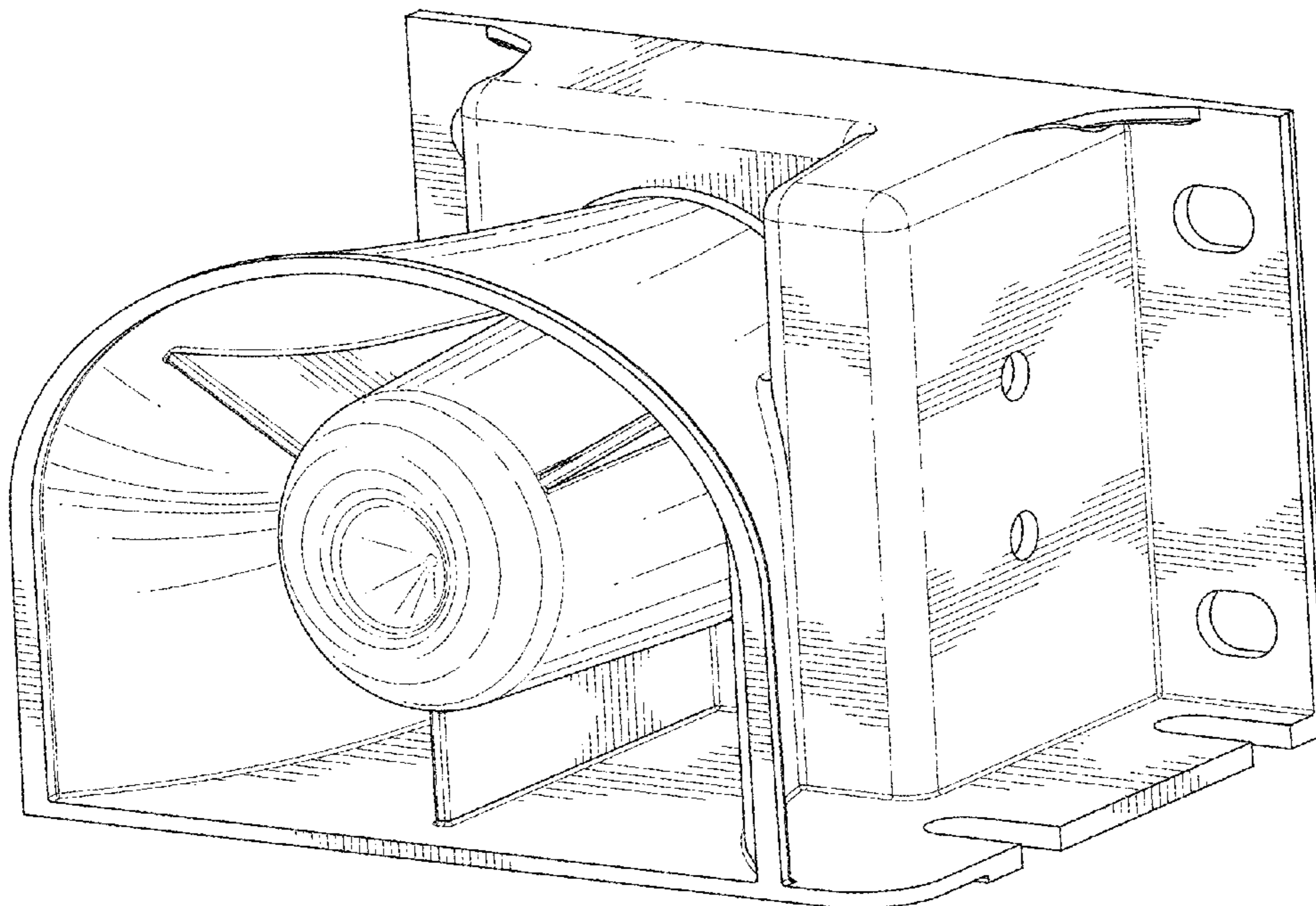
(57) **CLAIM**

What is claimed is the ornamental design for a backup alarm, as shown and described.

**DESCRIPTION**

FIG. 1 is a front elevational view of a backup alarm;  
FIG. 2 is a left side elevational view of the backup alarm;  
FIG. 3 is a right side elevational view of the backup alarm;  
FIG. 4 is a front right perspective view of the backup alarm;  
FIG. 5 is a front left perspective view of the backup alarm;  
FIG. 6 is a rear elevational view of the backup alarm;  
FIG. 7 is a rear right perspective view of the backup alarm;  
FIG. 8 is a rear left perspective view of the backup alarm;  
FIG. 9 is a top plan view of the backup alarm;  
FIG. 10 is a front top perspective view of the backup alarm;  
and,  
FIG. 11 is a rear top perspective view of the backup alarm.  
A bottom view of the backup alarm forms no part of the claimed design.

**1 Claim, 11 Drawing Sheets**



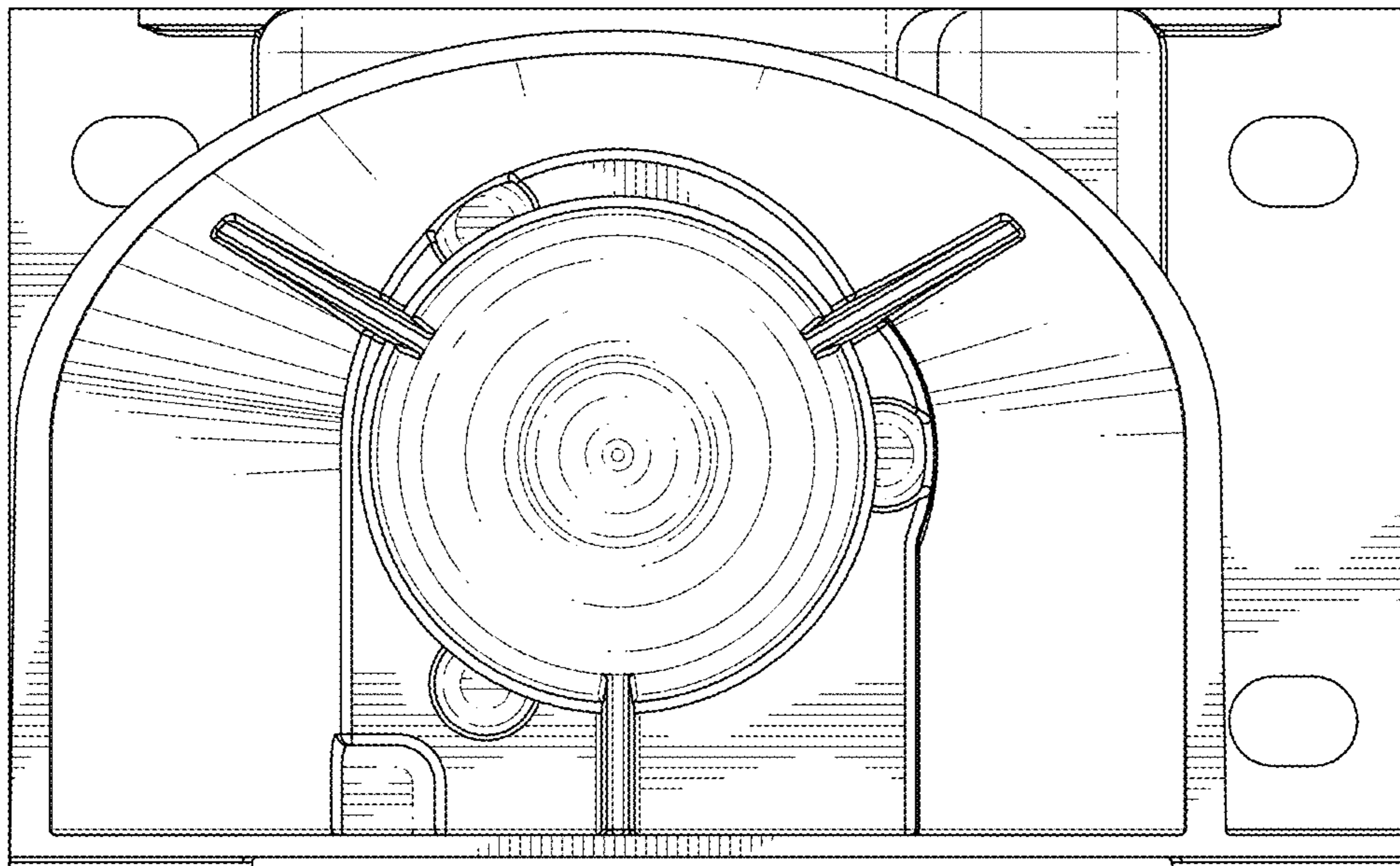


FIG. 1

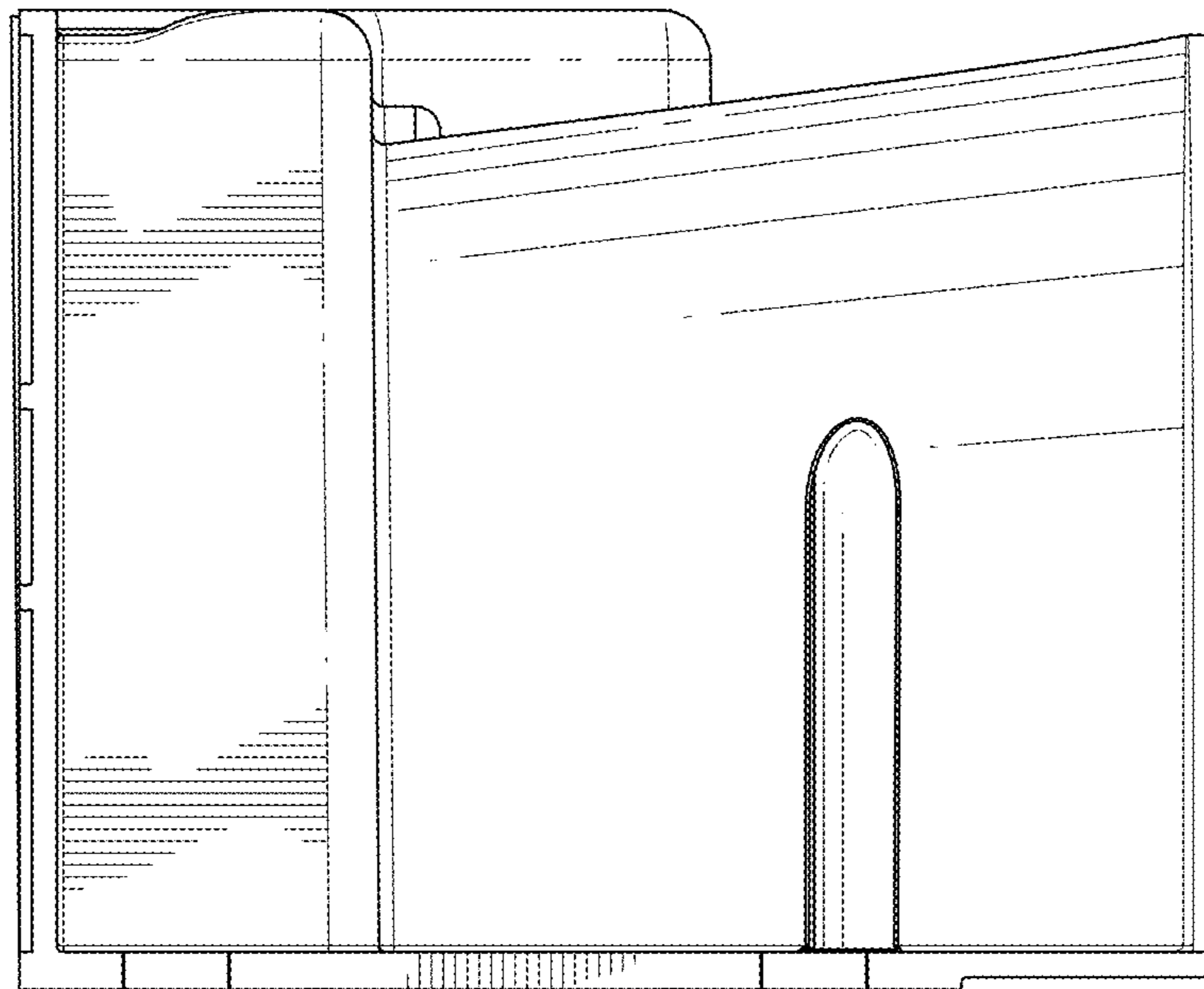


FIG. 2

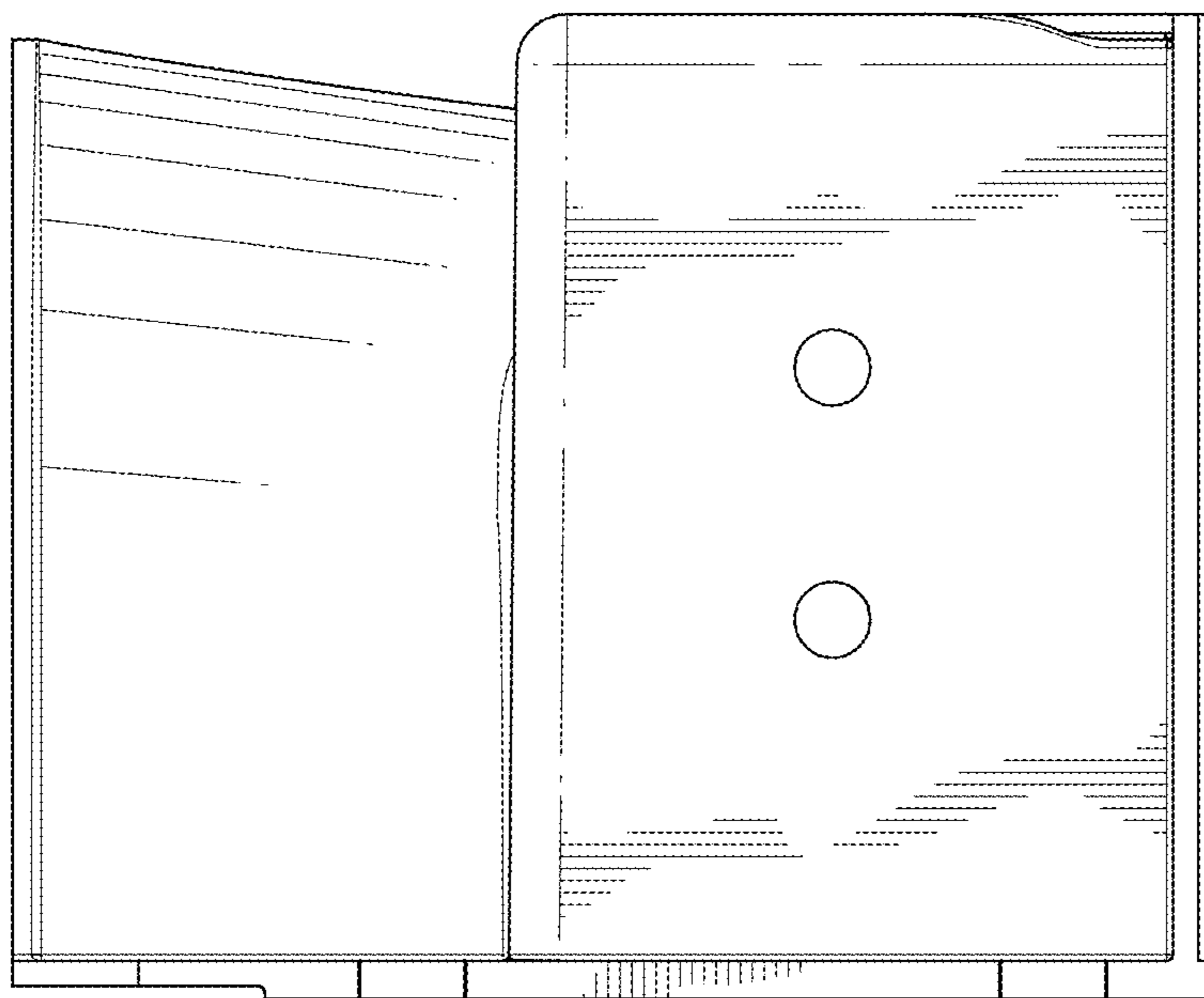


FIG. 3

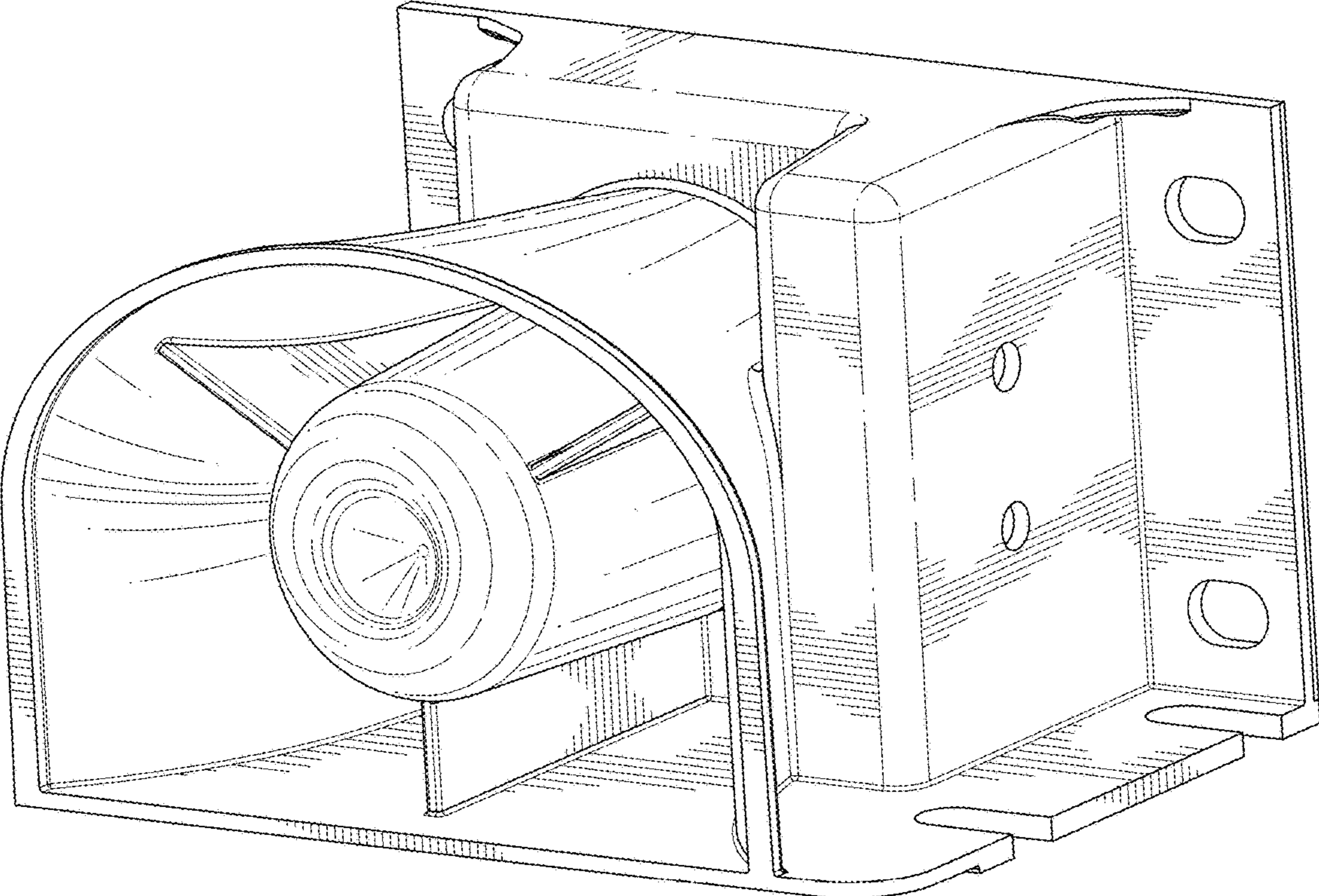


FIG.4

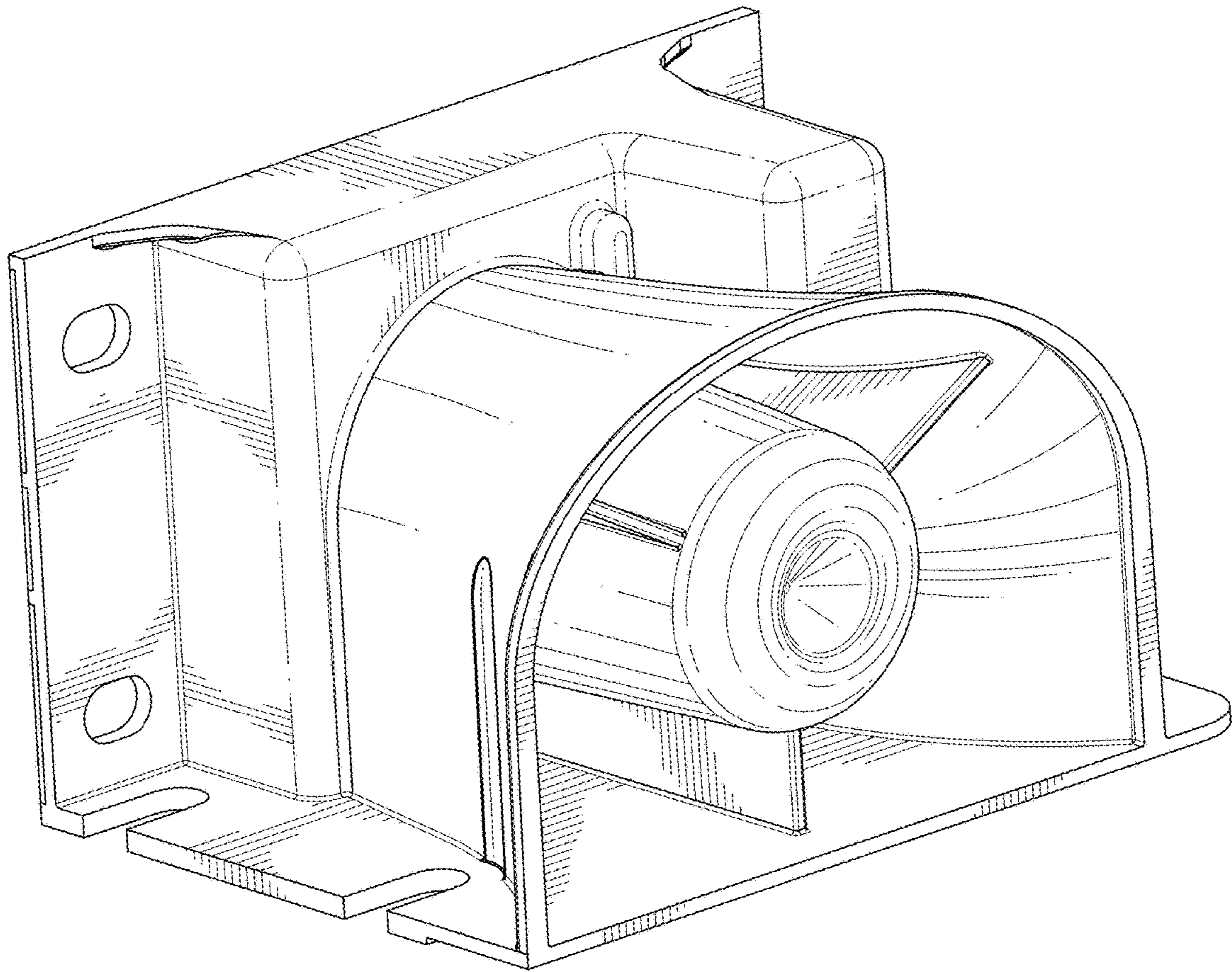


FIG. 5

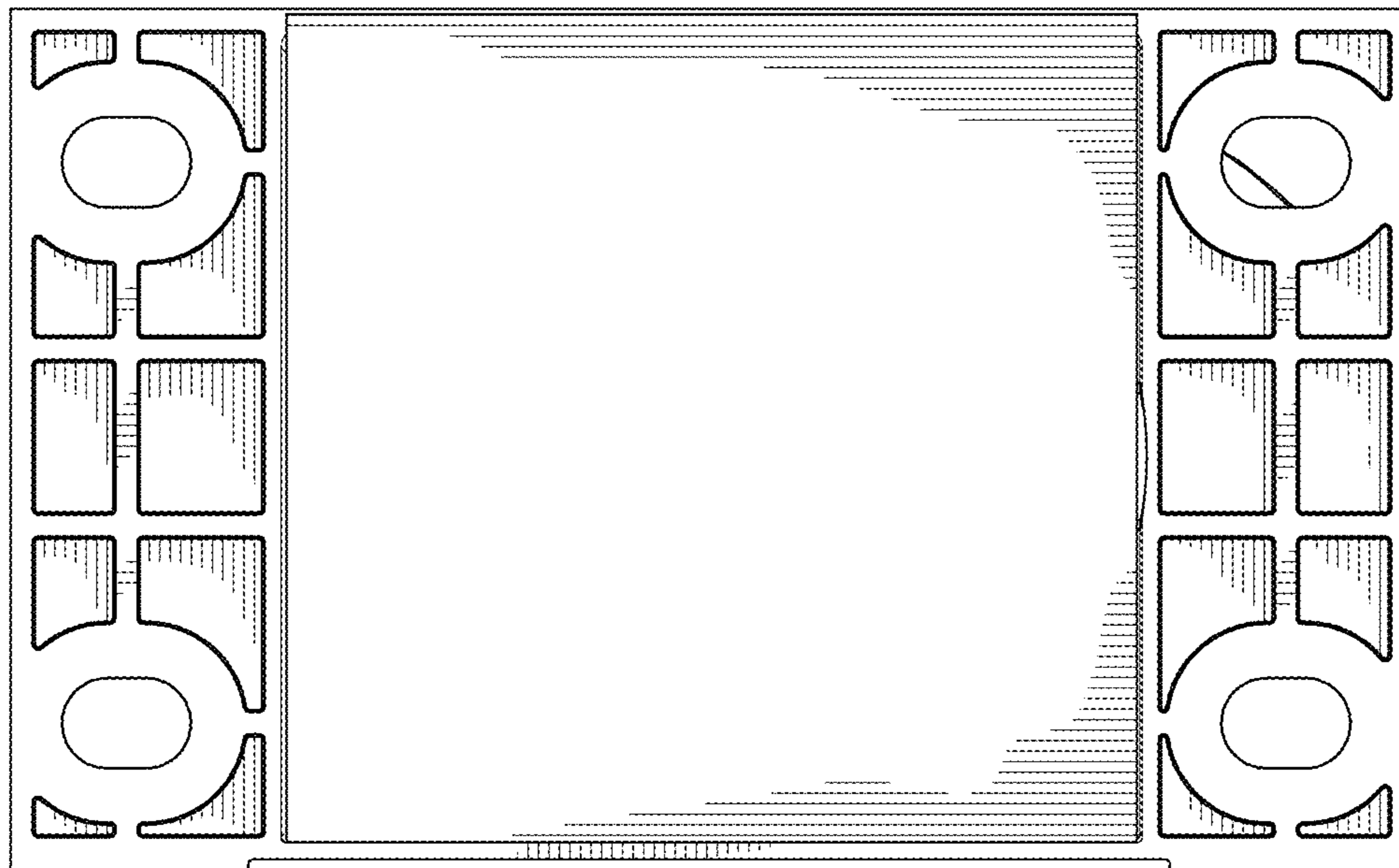


FIG. 6

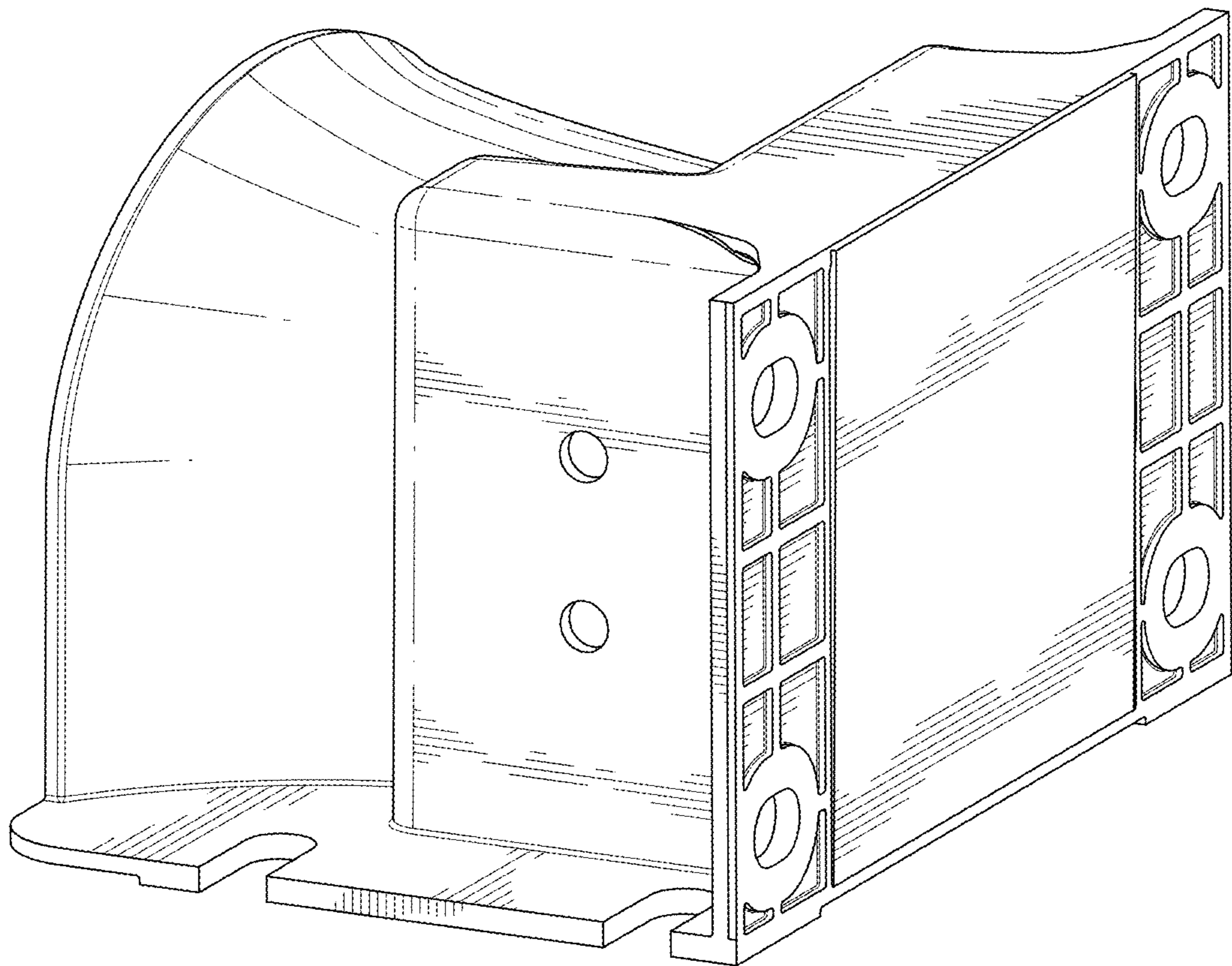


FIG. 7



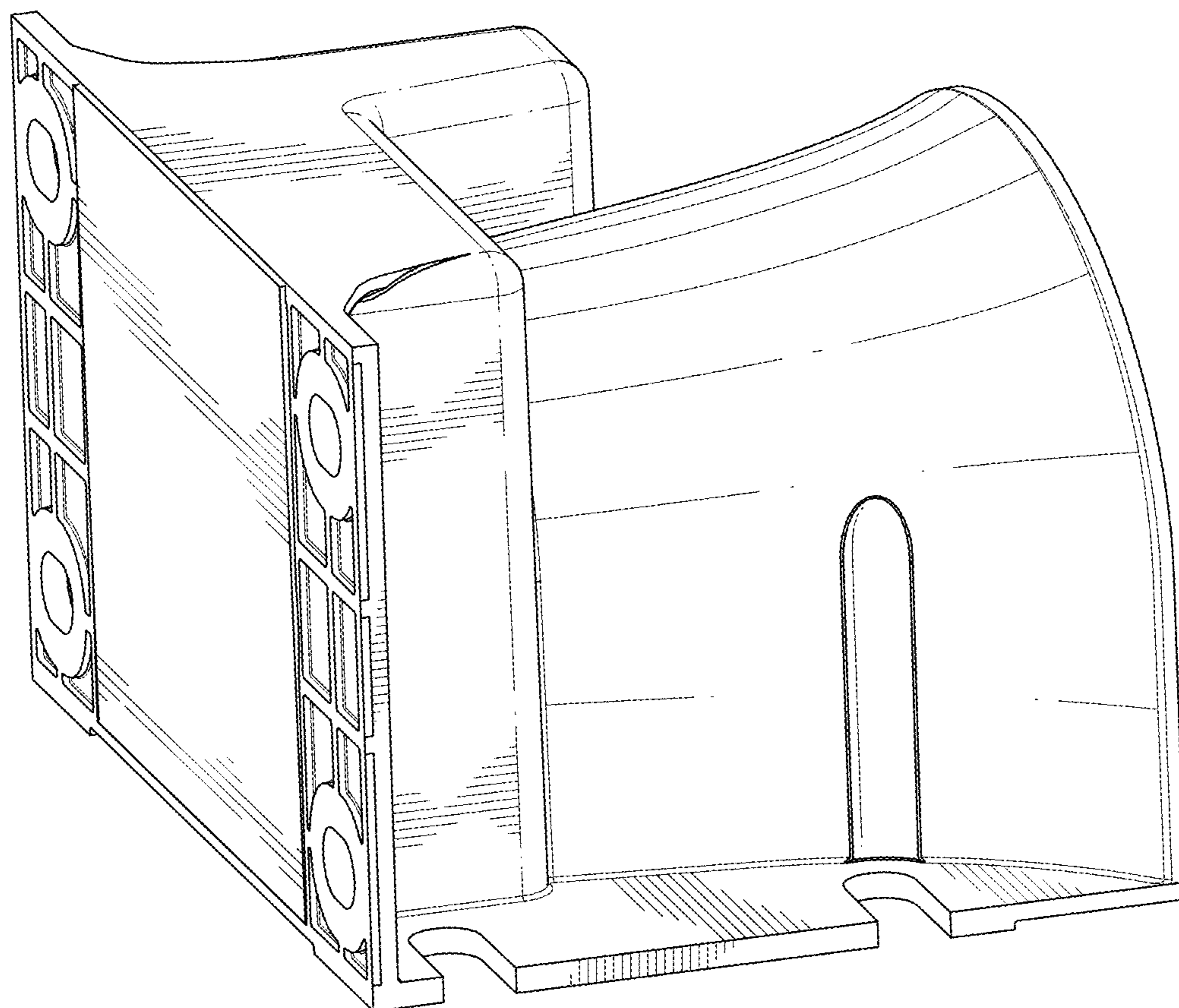


FIG. 8

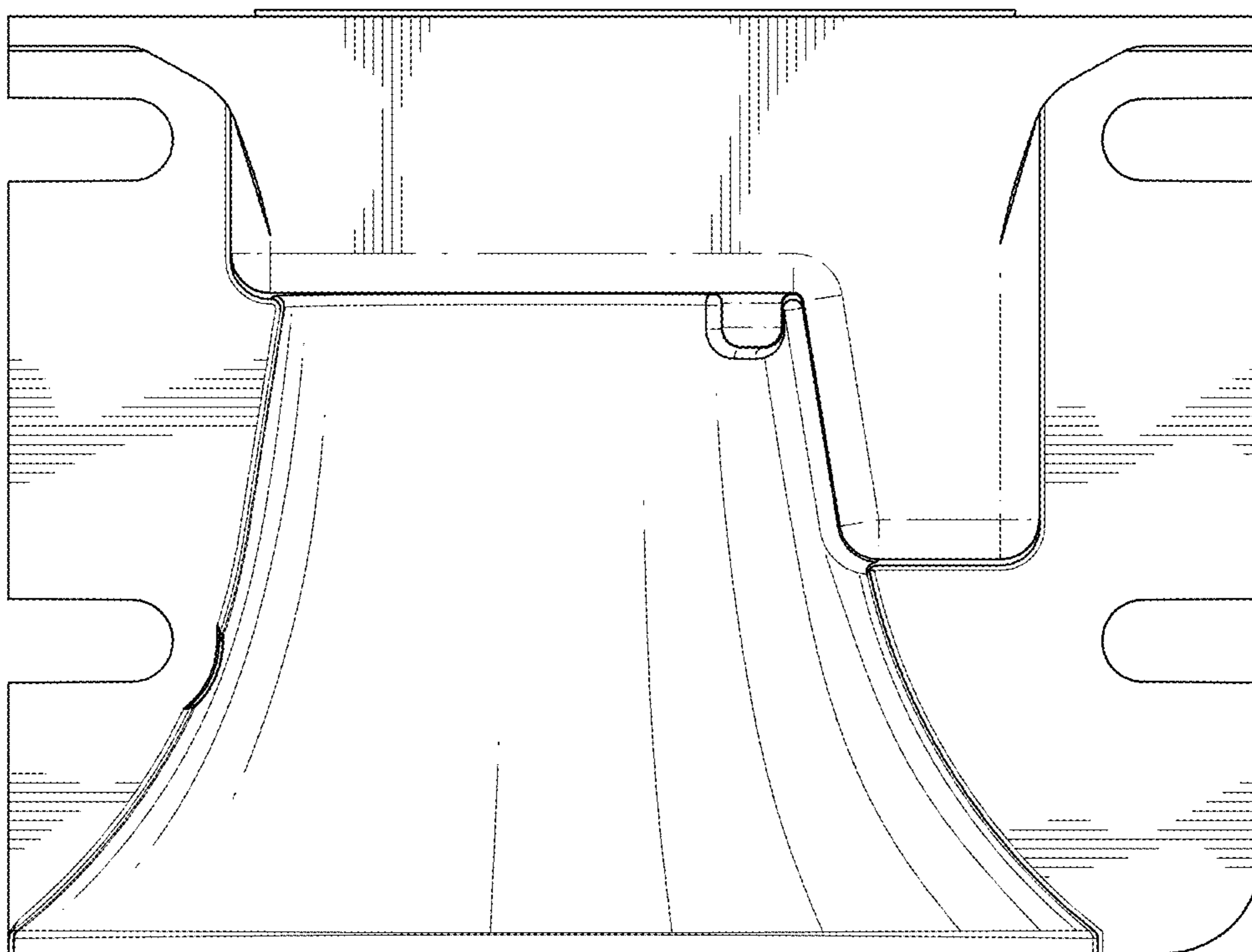


FIG. 9

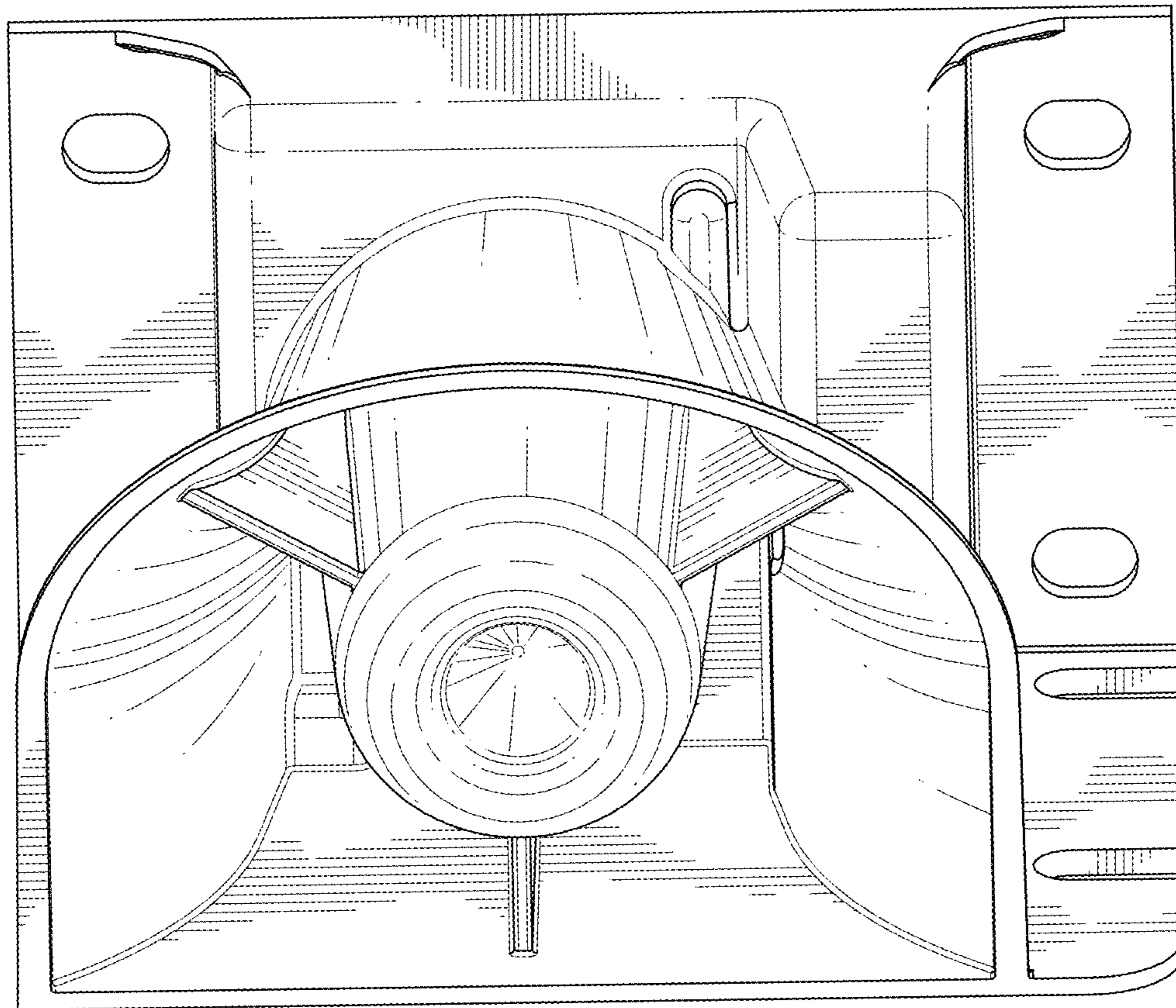


FIG. 10

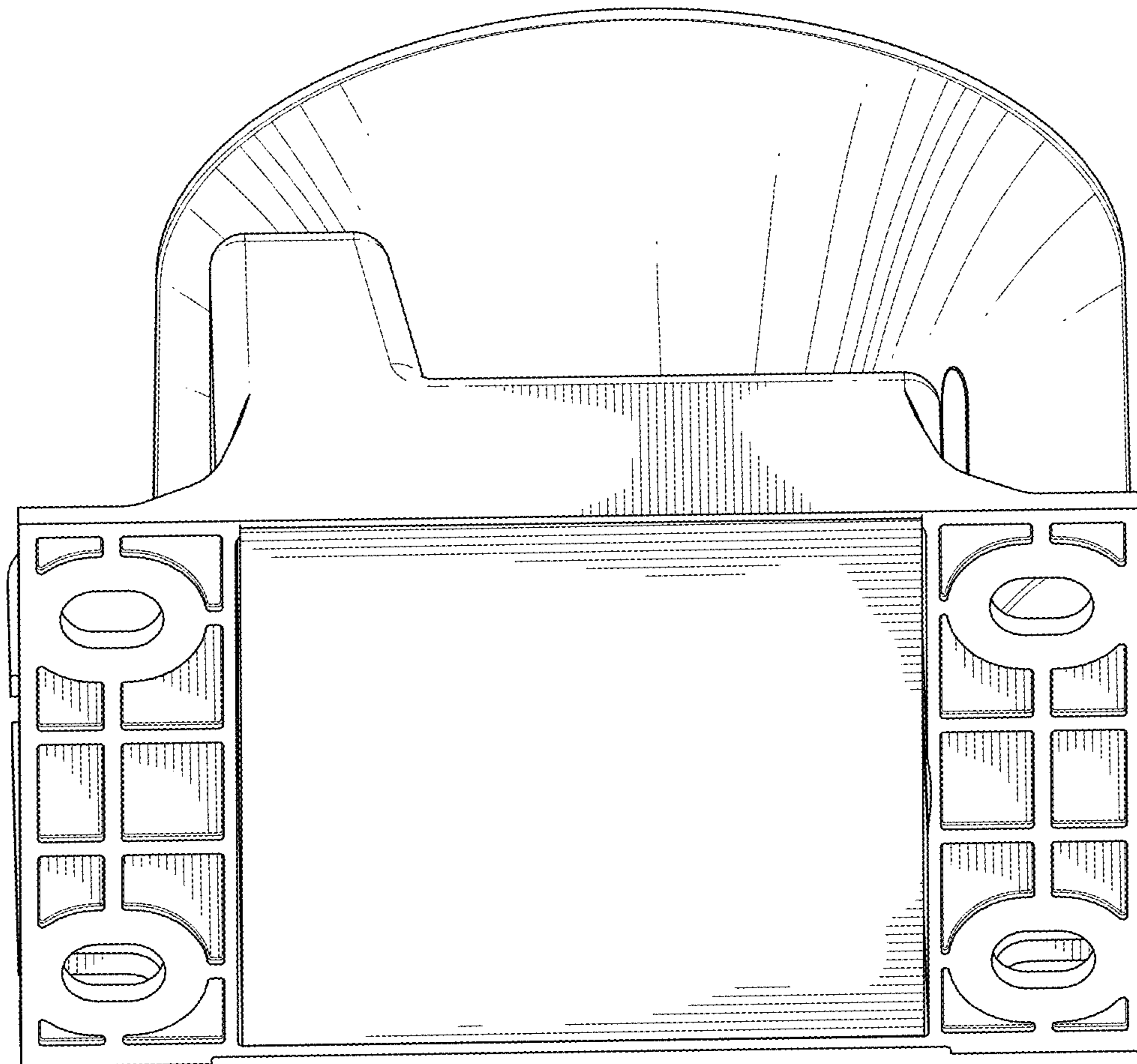


FIG. 11