



US00D798757S

(12) **United States Design Patent** (10) **Patent No.:** **US D798,757 S**
Corley et al. (45) **Date of Patent:** **** Oct. 3, 2017**

(54) **ASSET TRACKING DEVICE**
(71) Applicant: **BlackBerry Limited**, Waterloo (CA)
(72) Inventors: **Cortez Corley**, Waterloo (CA); **Vitor Nobre**, Kitchener (CA); **Brent Marc Baillie**, Toronto (CA)
(73) Assignee: **BlackBerry Limited**, Waterloo, Ontario
(**) Term: **15 Years**
(21) Appl. No.: **29/558,232**
(22) Filed: **Mar. 16, 2016**
(51) **LOC (10) Cl.** **10-05**
(52) **U.S. Cl.**
USPC **D10/106.9**
(58) **Field of Classification Search**
USPC D10/65, 70, 104.1, 106.1, 106.9, 106.92,
D10/106.93; D14/137, 230, 496
CPC G08B 13/14; G08B 13/2434; G08B 21/00;
G08B 21/0261; G08B 21/0275; G09F
3/08
See application file for complete search history.

D673,533 S 1/2013 Ennabli
8,646,199 B2 2/2014 Norman
D778,750 S * 2/2017 Phillips D10/106.9

OTHER PUBLICATIONS

U.S. Pat. No. 29,558,232, dated Mar. 16, 2016, Corley, C. et al.

* cited by examiner

Primary Examiner — George D Kirschbaum

Assistant Examiner — Joseph Kukella

(74) *Attorney, Agent, or Firm* — Fleit Gibbons Gutman

Bongini Bianco PL; Jon A. Gibbons

(57) **CLAIM**

The ornamental design for a asset tracking device, as shown and described.

DESCRIPTION

FIG. 1 is a first perspective view of an example of the asset tracking device;

FIG. 2 is a second perspective view thereof;

FIG. 3 is a first elevational view thereof;

FIG. 4 is a second elevational view thereof;

FIG. 5 is a first side elevational view thereof;

FIG. 6 is a second side elevational view thereof;

FIG. 7 is a top plan view thereof; and,

FIG. 8 is a bottom plan view thereof.

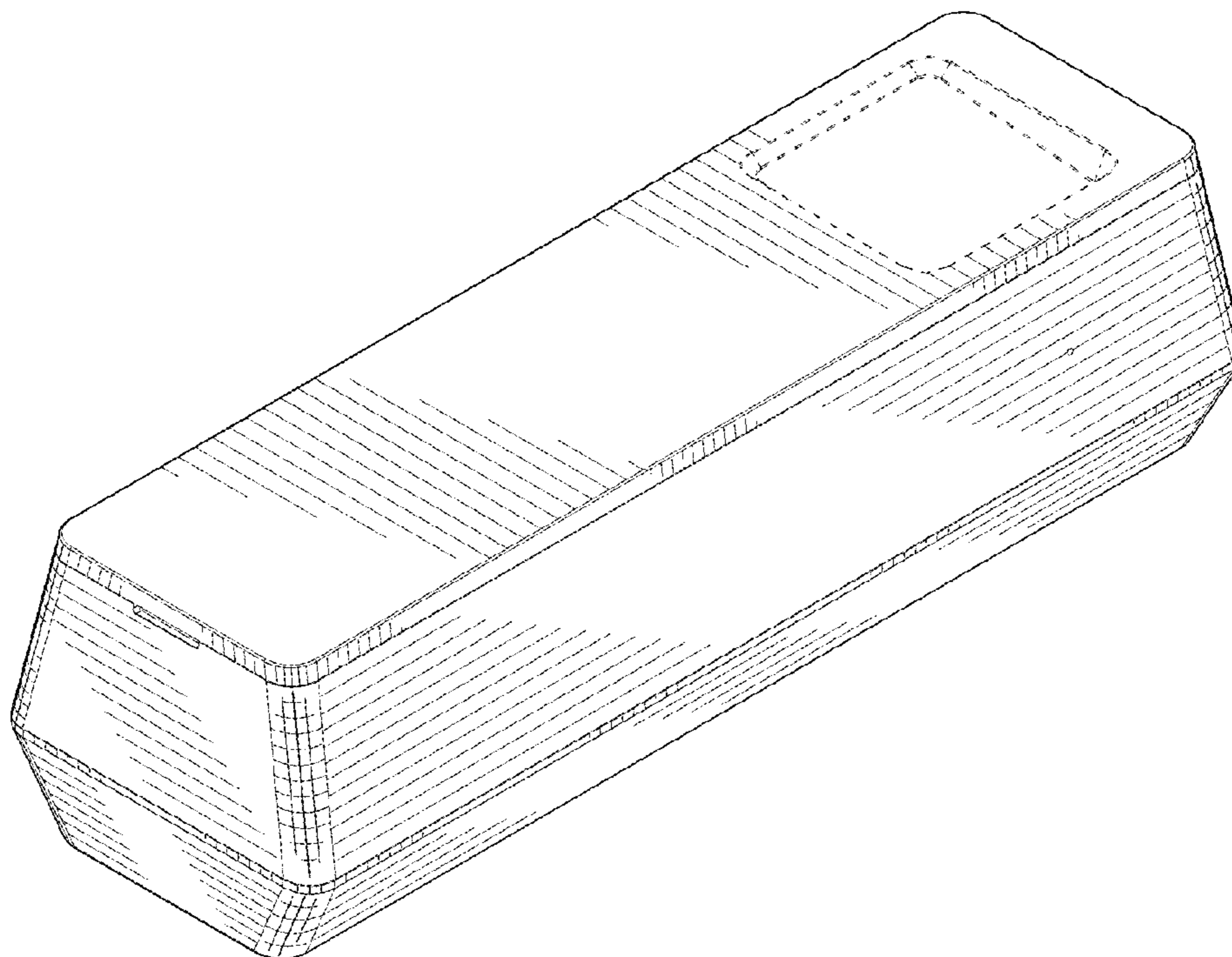
In the drawings, the broken lines depict environmental subject matter only and form no part of the claimed design.

(56) **References Cited**

U.S. PATENT DOCUMENTS

D181,376 S * 11/1957 Smith D10/106.1
D213,701 S * 4/1969 Leeming D10/65
D323,788 S * 2/1992 Roberts D10/106.1
D522,888 S * 6/2006 Kondoh D10/70
D543,125 S 5/2007 Feibelman
D599,693 S 9/2009 Sayegh et al.

1 Claim, 4 Drawing Sheets



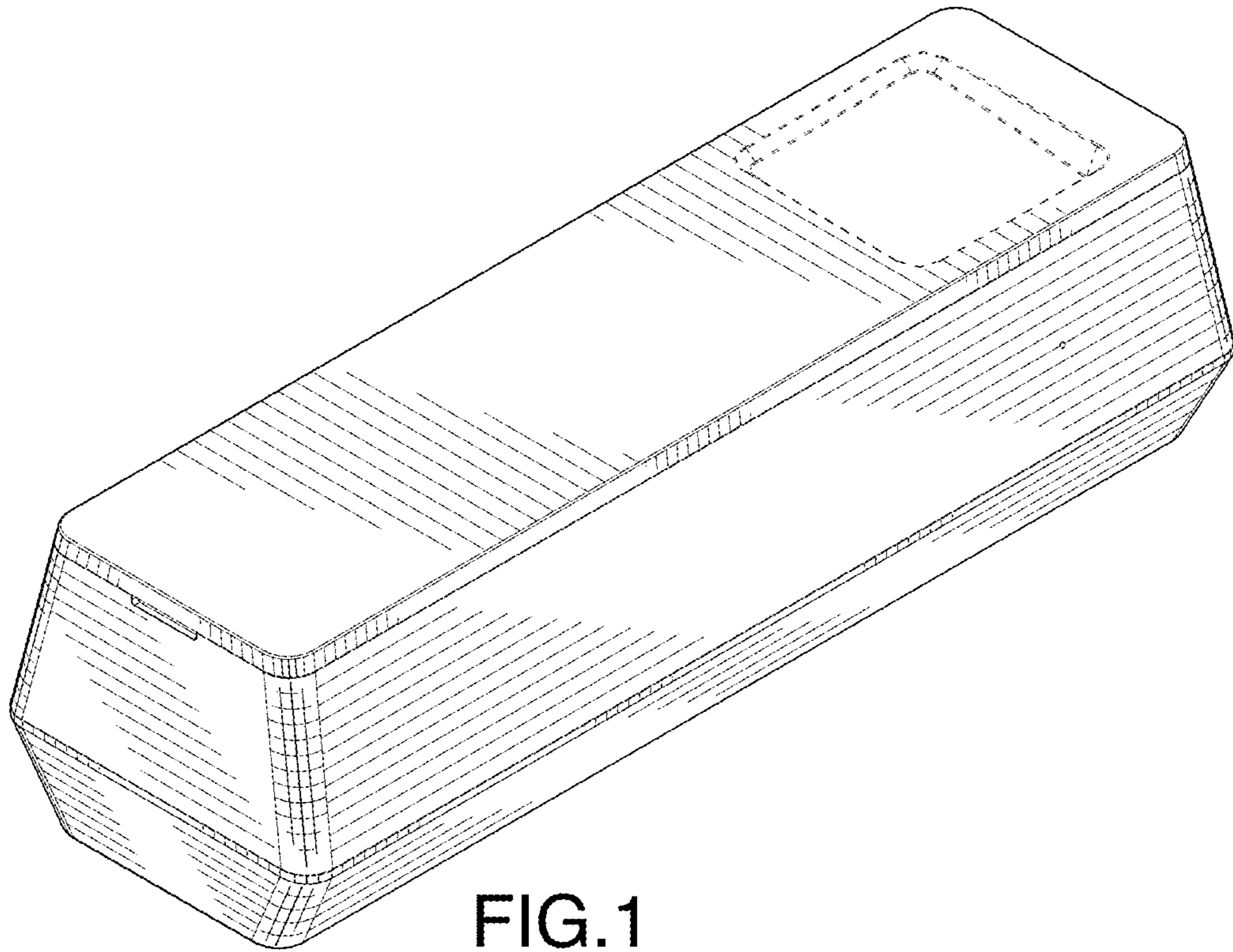


FIG. 1

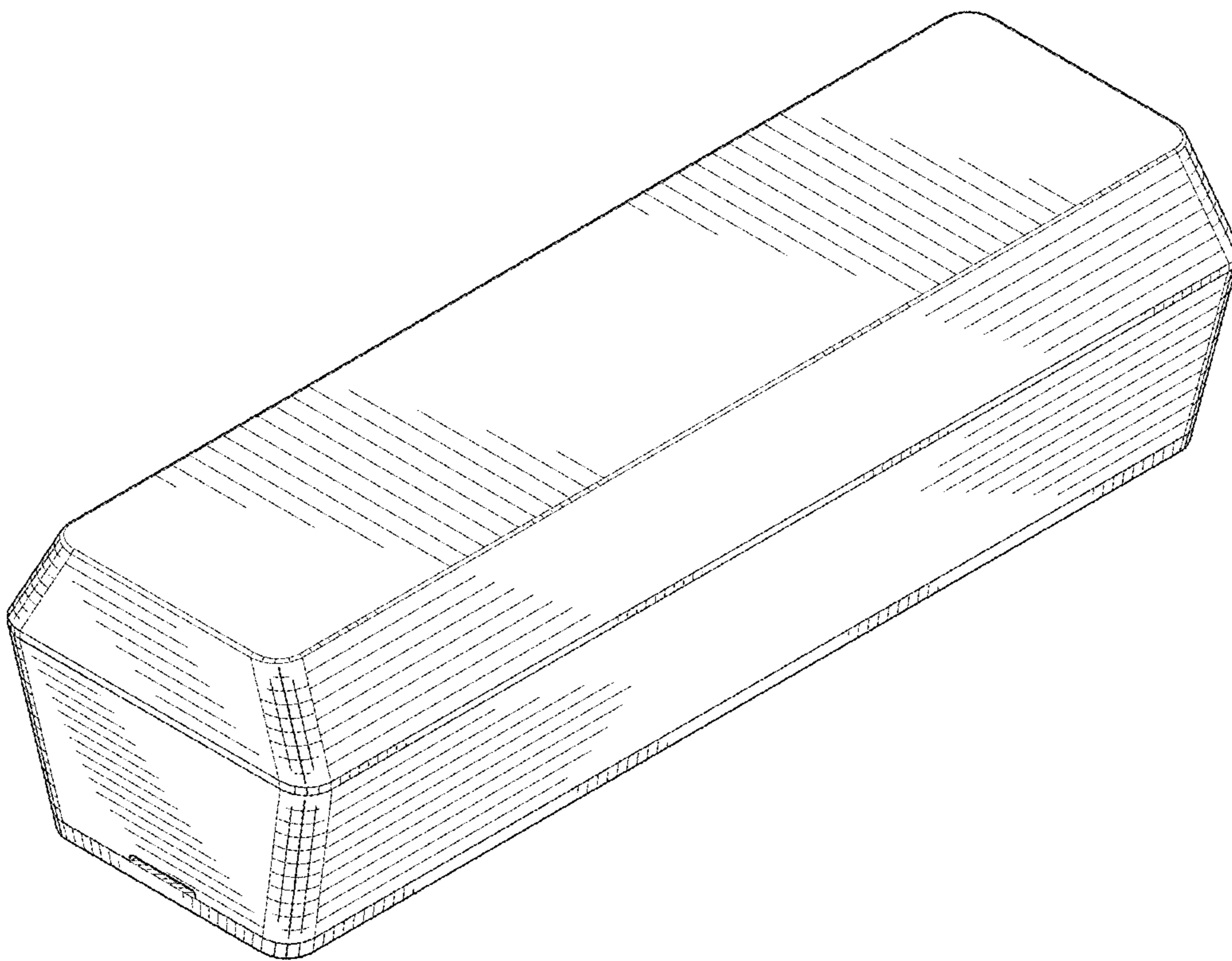


FIG. 2

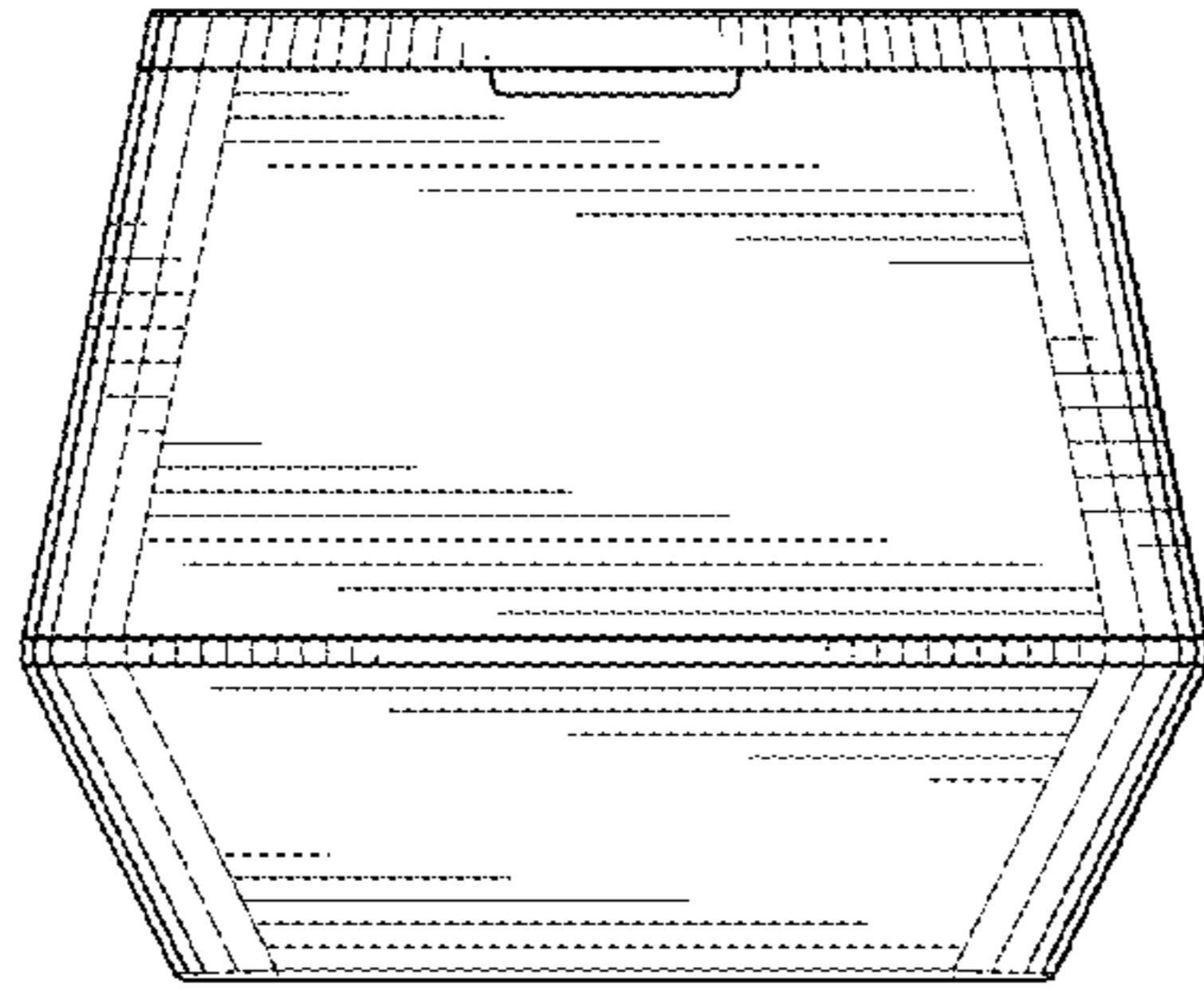


FIG.3

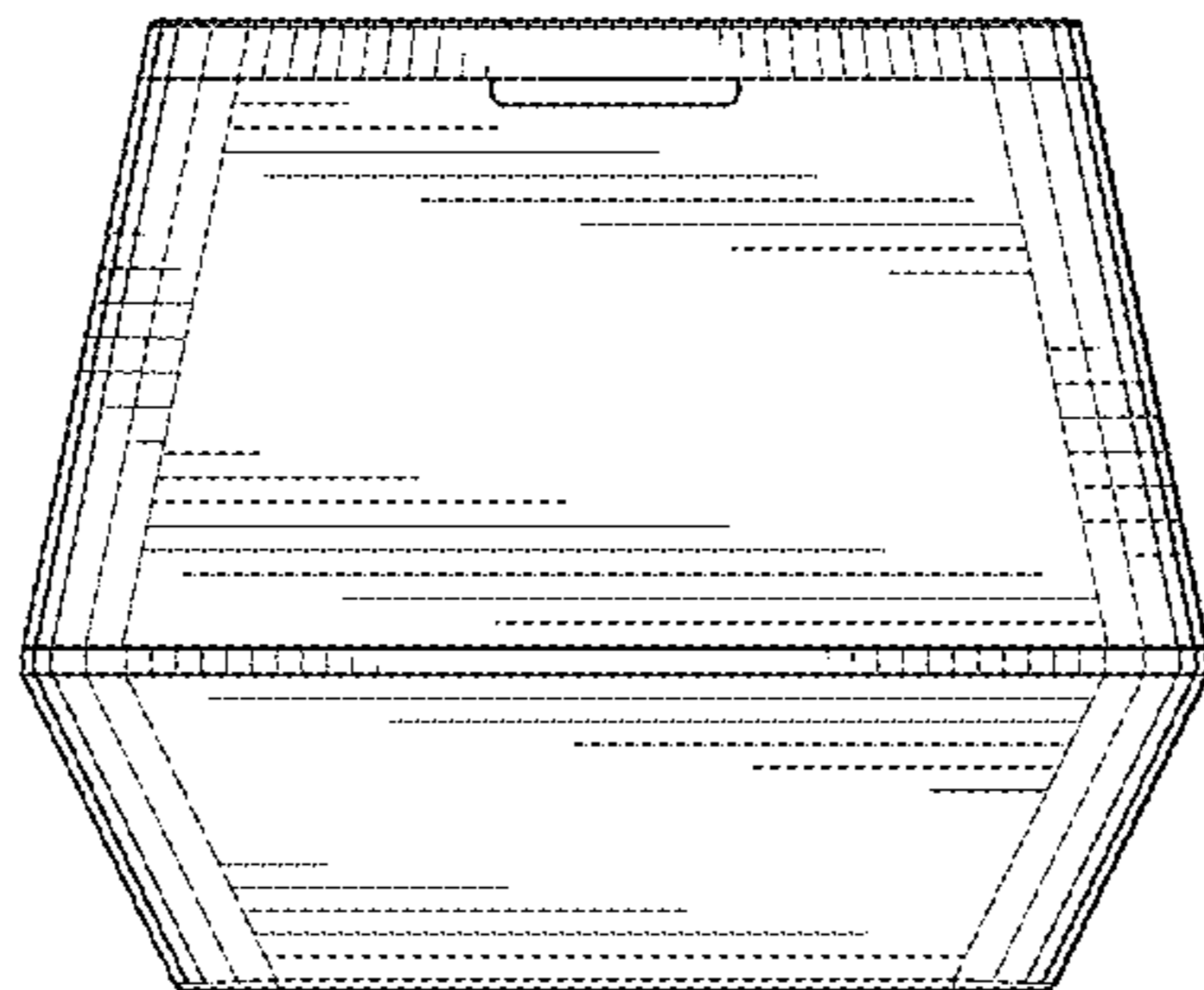


FIG.4

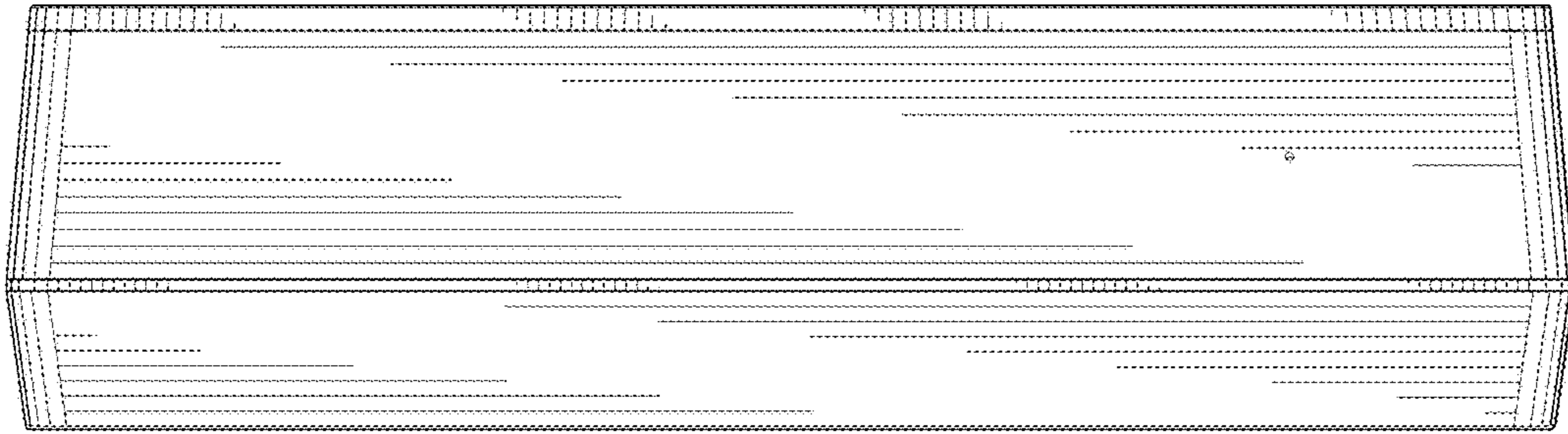


FIG.5

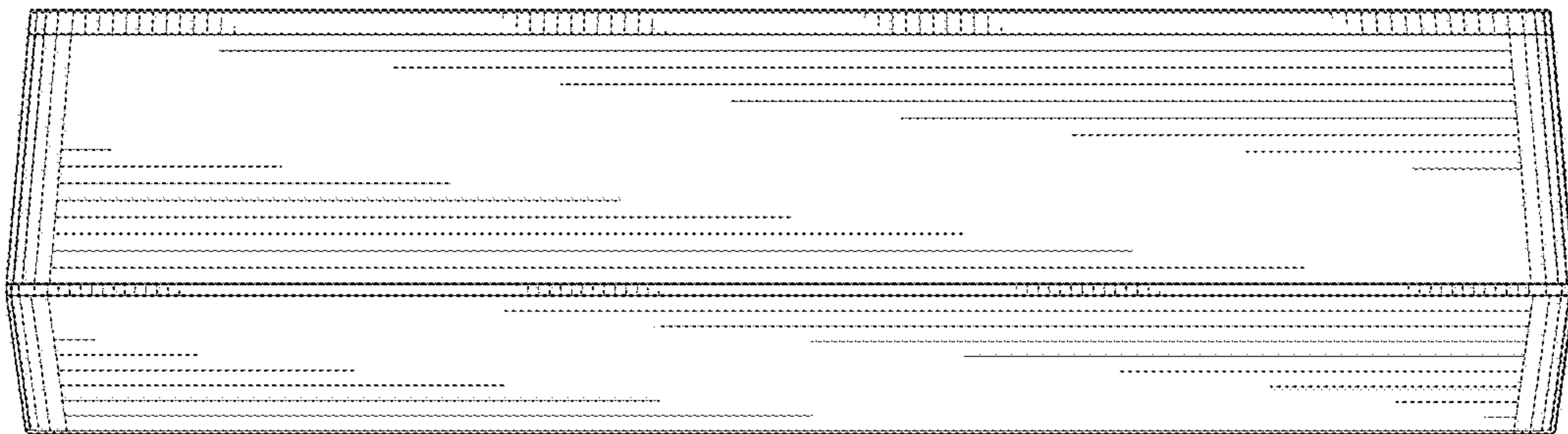


FIG.6

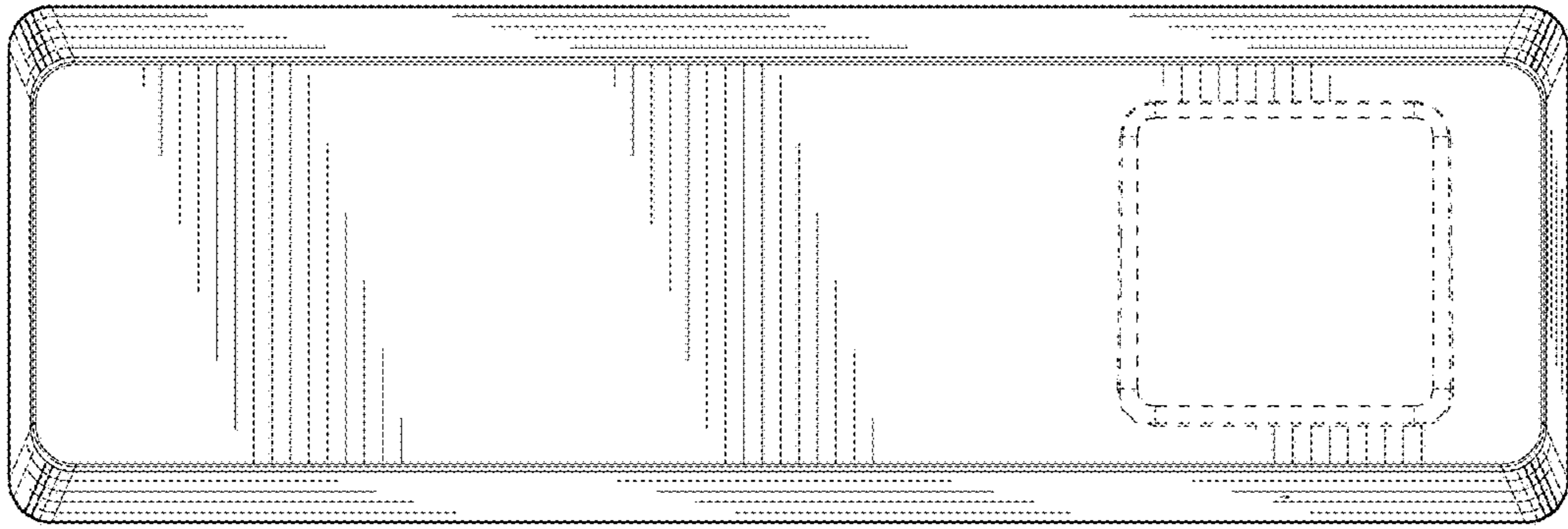


FIG.7

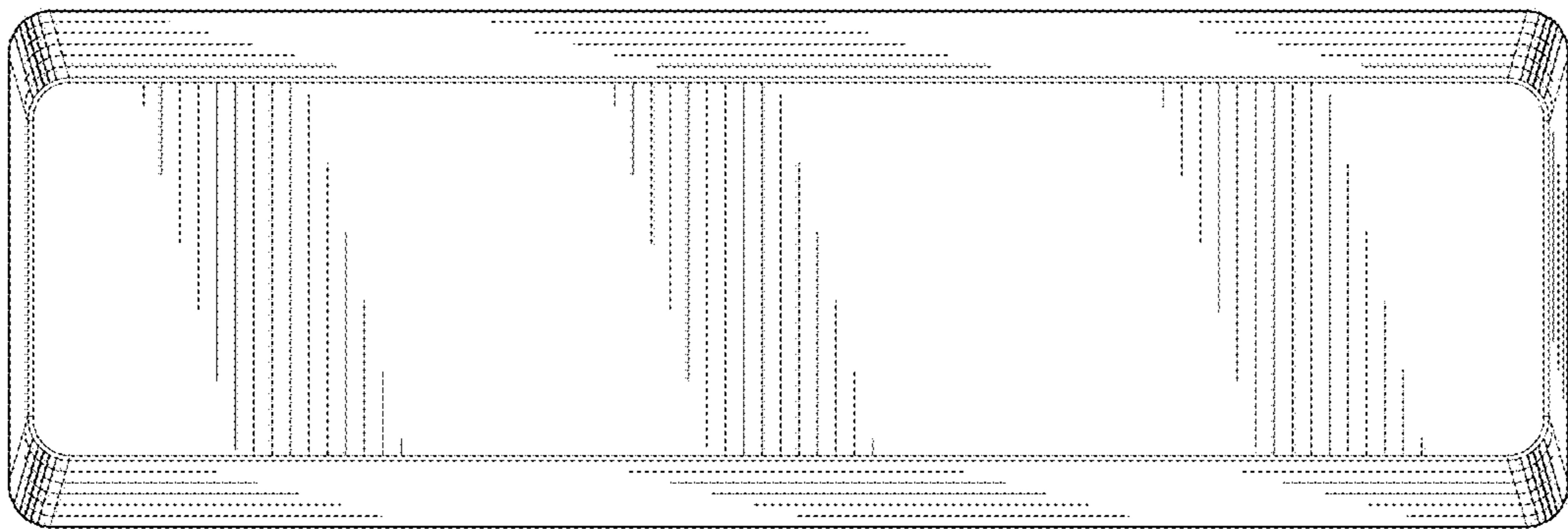


FIG.8