



US00D798754S

(12) **United States Design Patent** (10) **Patent No.:** **US D798,754 S**  
**Zimmerman et al.** (45) **Date of Patent:** **\*\* Oct. 3, 2017**

- (54) **TIRE PRESSURE EQUALIZER**
- (71) Applicant: **CZTC Holdings, LLC**, West Palm Beach, FL (US)
- (72) Inventors: **Christopher Zimmerman**, West Palm Beach, FL (US); **Theodore G. Christian**, West Palm Beach, FL (US)
- (73) Assignee: **CZTC Holdings, LLC**, West Palm Beach, FL (US)
- (\*\*) Term: **15 Years**
- (21) Appl. No.: **29/561,540**
- (22) Filed: **Apr. 18, 2016**
- (51) **LOC (10) Cl.** ..... **10-04**
- (52) **U.S. Cl.**  
 USPC ..... **D10/86**
- (58) **Field of Classification Search**  
 USPC ..... D10/86  
 CPC ..... B60C 23/0408; B60C 23/0494; G01L 7/00-7/24; G01L 7/043; G01L 13/00-13/06; G01L 15/00; G01L 17/00-17/005; G01L 19/00-19/16; G01L 23/00-23/32; G01L 27/00-23/02  
 See application file for complete search history.

- 4,763,709 A 8/1988 Scholer  
 5,158,122 A 10/1992 Moffett  
 5,307,846 A 5/1994 Heinemann  
 D361,950 S \* 9/1995 Mascio ..... D10/86  
 5,540,268 A 7/1996 Mittal  
 5,629,874 A 5/1997 Mittal  
 8,115,610 B2 \* 2/2012 Lionetti ..... B60C 23/0408  
 235/384  
 8,375,798 B2 \* 2/2013 Anderson ..... G01L 9/0001  
 73/700  
 2016/0052351 A1 2/2016 Dilisio et al.  
 \* cited by examiner

*Primary Examiner* — Antoine D Davis  
 (74) *Attorney, Agent, or Firm* — McHale & Slavin, P.A.

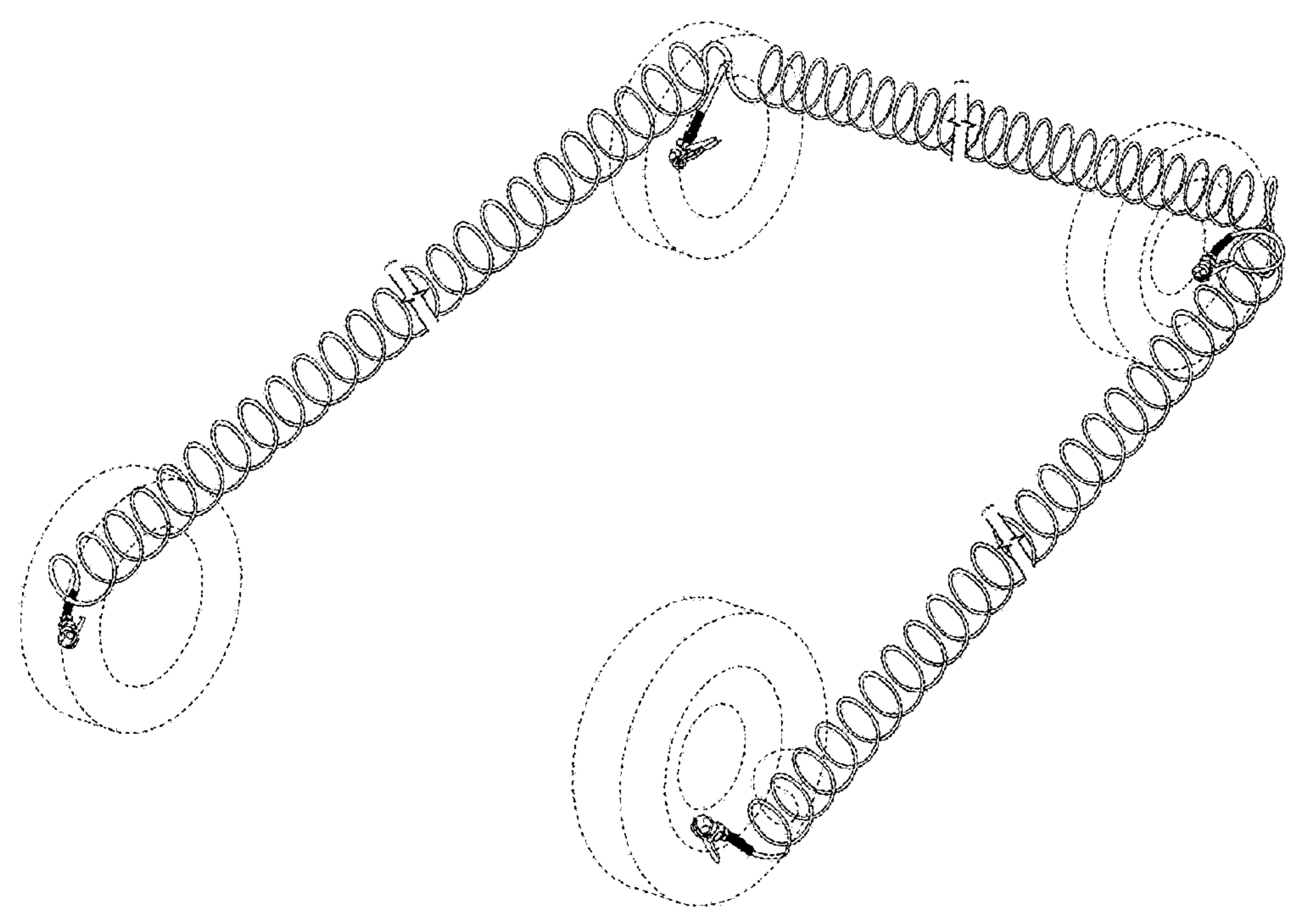
(57) **CLAIM**  
 The ornamental design for a tire pressure equalizer, as shown and described.

**DESCRIPTION**

FIG. 1 is a top right isometric view of the tire pressure equalizer of the present invention;  
 FIG. 2 is a top view thereof;  
 FIG. 3 is a bottom view thereof;  
 FIG. 4 is a right side view thereof;  
 FIG. 5 is a left side view thereof;  
 FIG. 6 is a front view thereof;  
 FIG. 7 is a rear view thereof; and,  
 FIG. 8 is an environmental view illustrating the tire pressure equalizer secured to all four tires of a vehicle.  
 The portions of the Figures illustrated in broken lines form no part of the claimed subject matter.

- (56) **References Cited**  
 U.S. PATENT DOCUMENTS  
 3,335,766 A 8/1967 Winger  
 4,427,022 A 1/1984 Forney

**1 Claim, 6 Drawing Sheets**



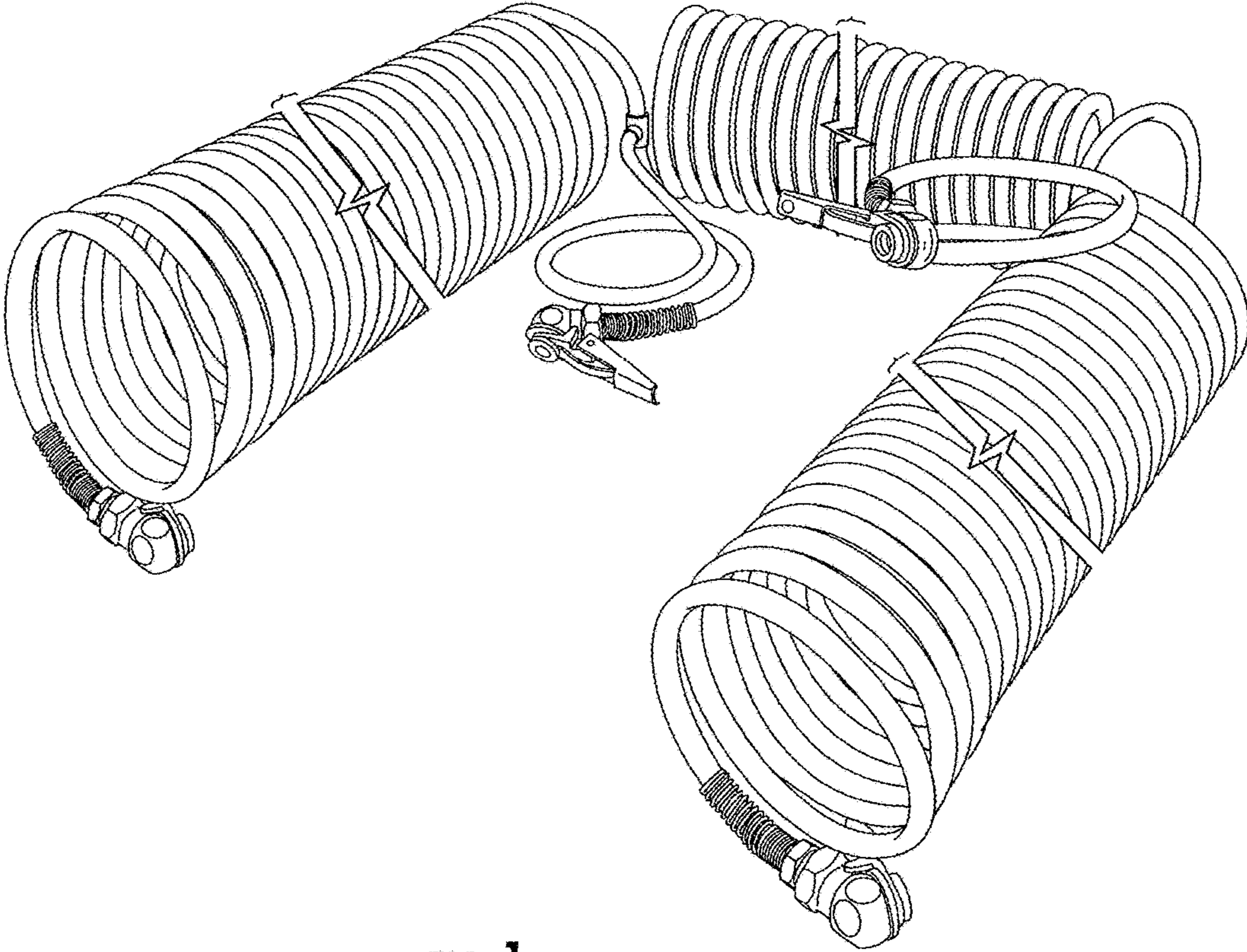


FIG. 1

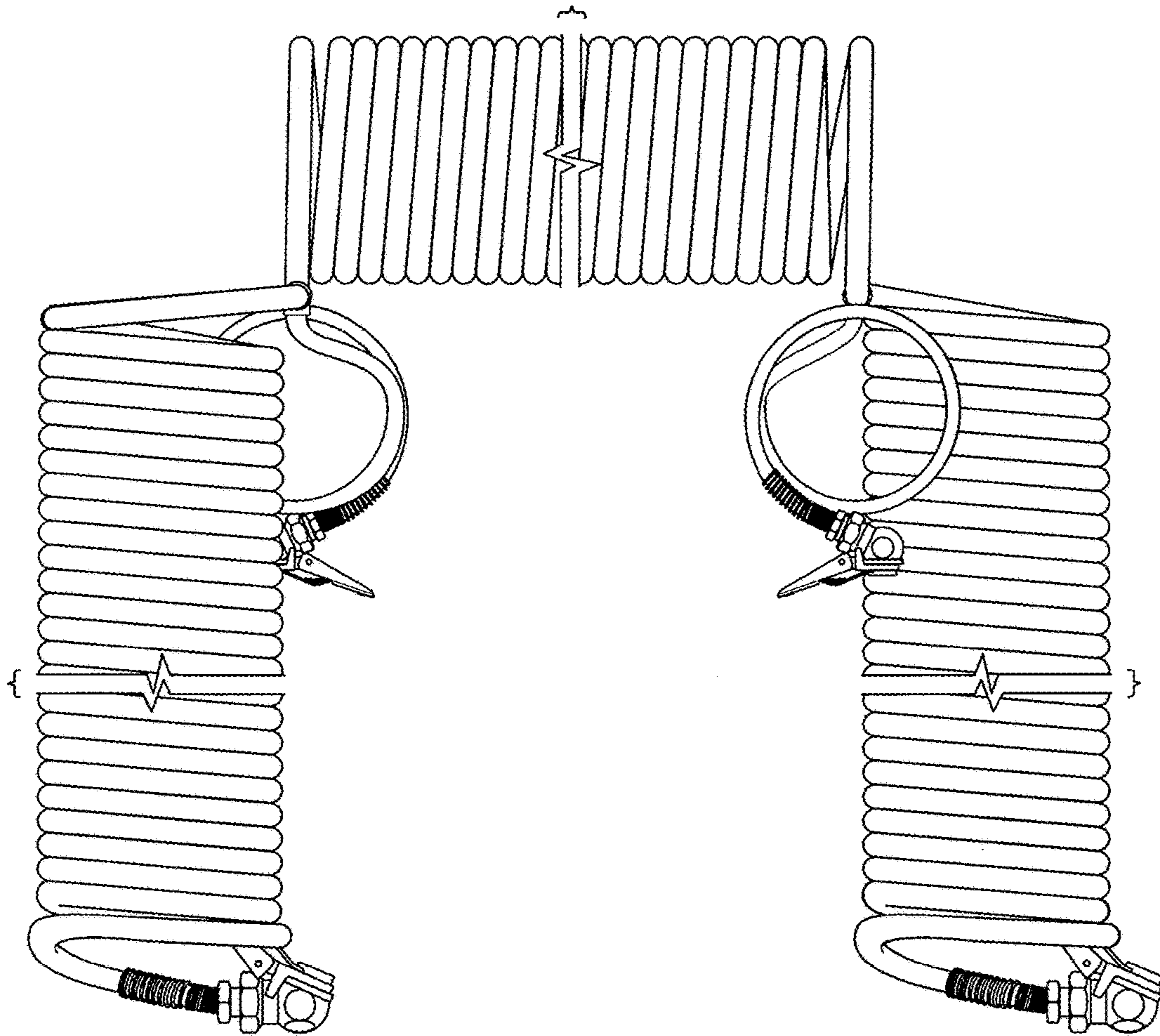


FIG. 2

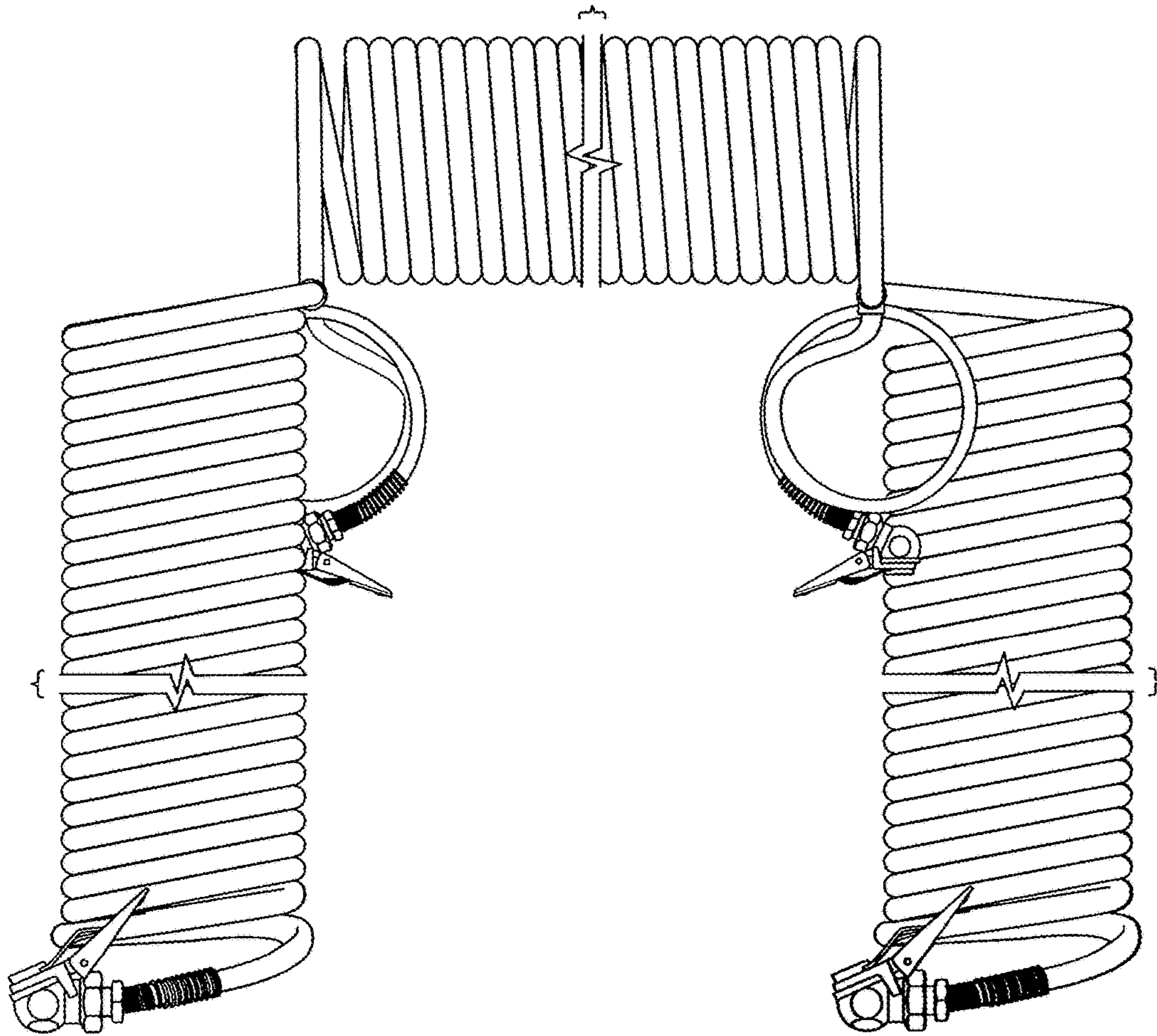


FIG. 3

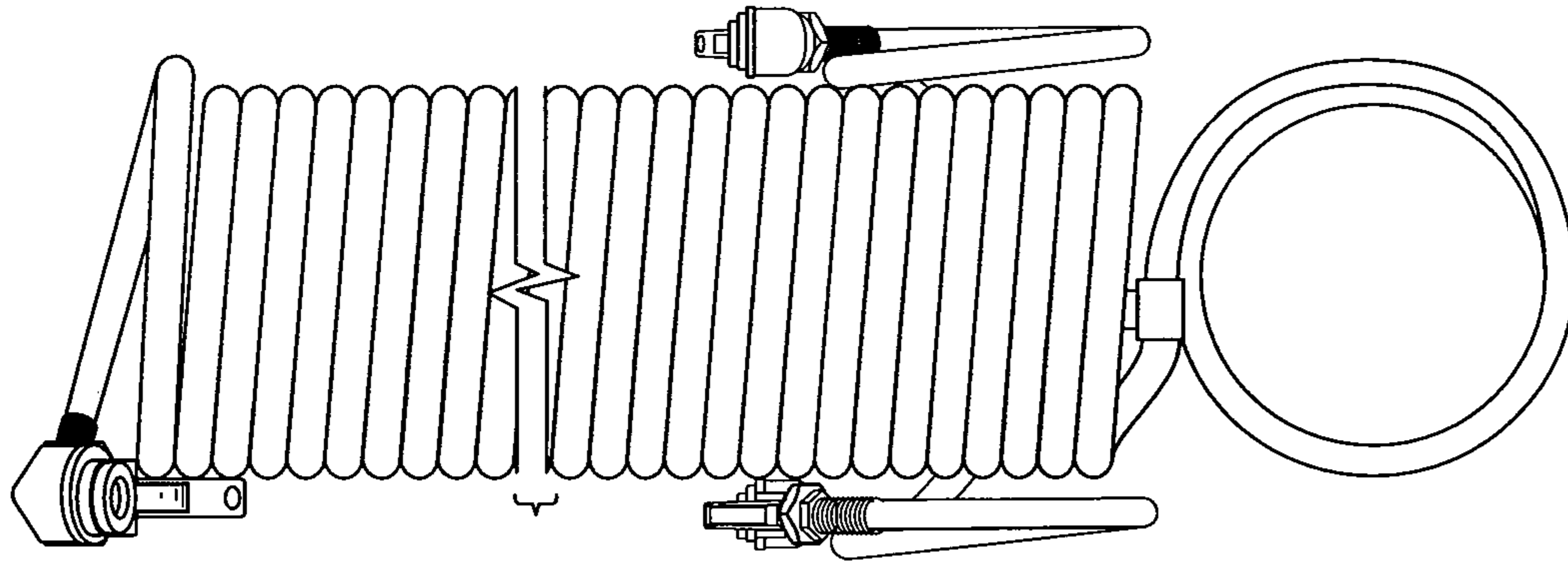


FIG. 4

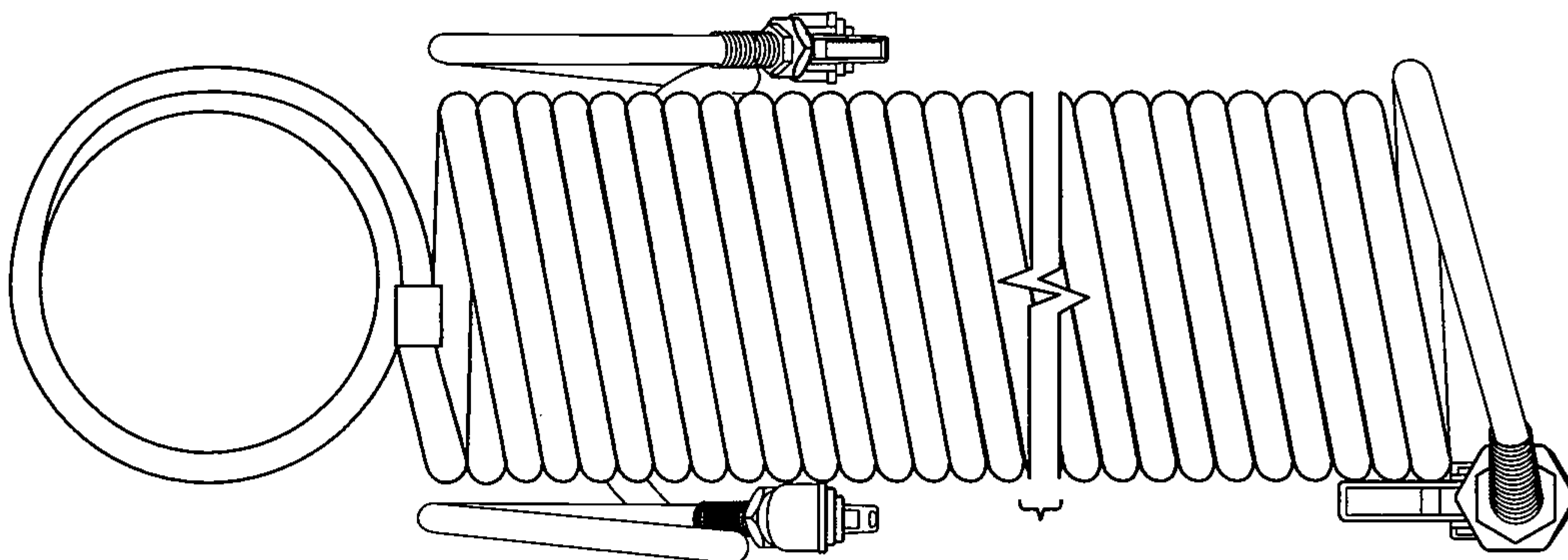


FIG. 5

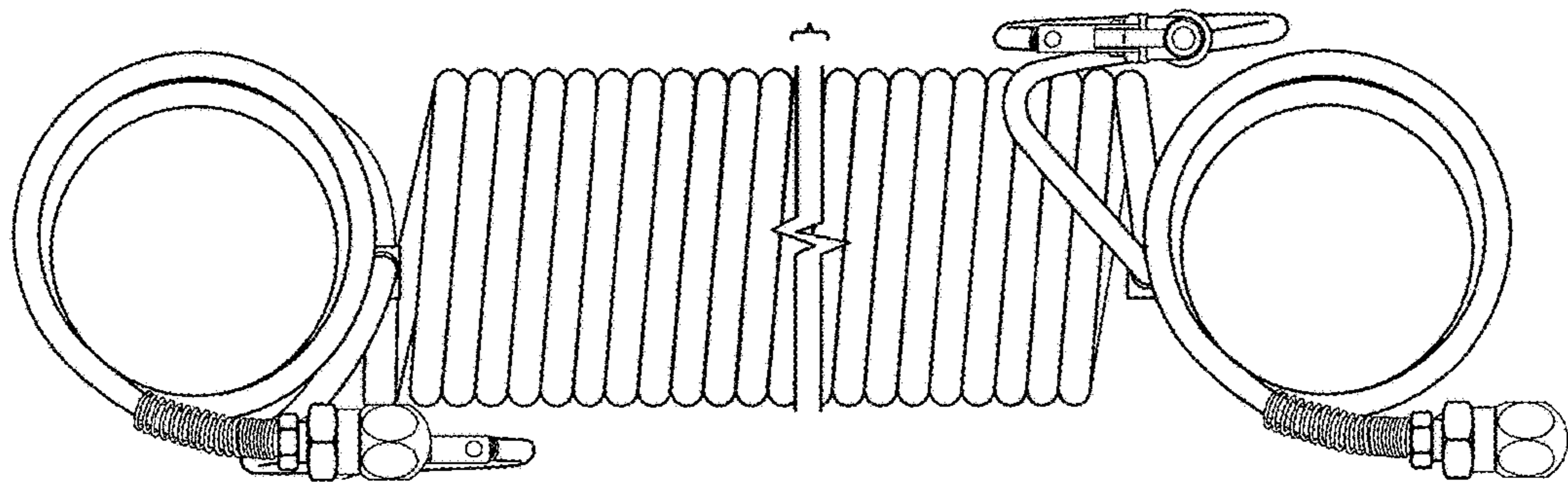


FIG. 6

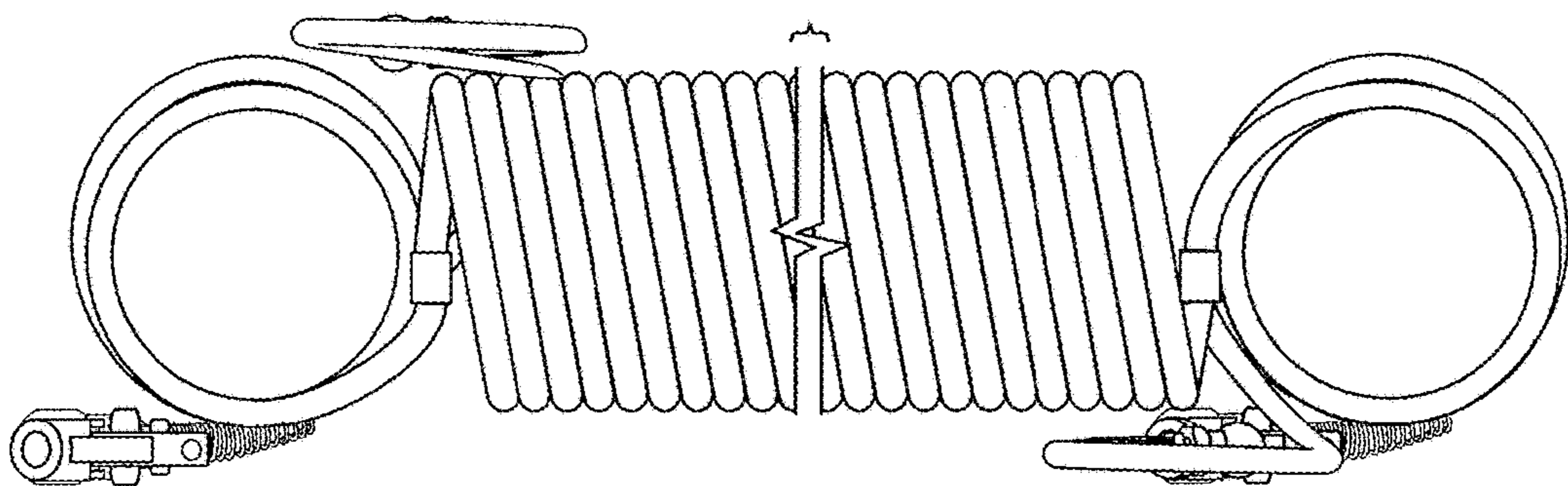


FIG. 7

