



US00D798752S

(12) **United States Design Patent** (10) **Patent No.:** **US D798,752 S**  
**Nakaniwa** (45) **Date of Patent:** **\*\* Oct. 3, 2017**

(54) **FOCAL PLATE FOR SURVEYING INSTRUMENT**

FOREIGN PATENT DOCUMENTS

(71) Applicant: **KUMONOS Corporation**, Minoo-shi, Osaka (JP)

JP 08-285598 11/1996  
JP 2009-92419 4/2009  
JP 4441561 4/2009

(72) Inventor: **Kazuhide Nakaniwa**, Minoo (JP)

*Primary Examiner* — Antoine D Davis

(73) Assignee: **KUMONOS Corporation**, Osaka (JP)

(74) *Attorney, Agent, or Firm* — Capitol City TechLaw

(\*\*) Term: **15 Years**

(57) **CLAIM**

(21) Appl. No.: **29/561,555**

The ornamental design for a focal plate for surveying instrument, as shown and described.

(22) Filed: **Apr. 18, 2016**

(30) **Foreign Application Priority Data**

**DESCRIPTION**

Nov. 10, 2015 (JP) ..... 2015-025128  
Nov. 10, 2015 (JP) ..... 2015-025129

(51) **LOC (10) Cl.** ..... **10-04**

(52) **U.S. Cl.**  
USPC ..... **D10/74; D10/103; D16/130; D16/134; D22/109**

(58) **Field of Classification Search**  
USPC ..... D10/66, 74, 103; D16/130, 134, 136, D16/137; D22/109  
CPC ..... F41G 1/02; F41G 1/06; F41G 1/08; F41G 1/10; F41G 1/12; F41G 1/14; F41G 1/16; F41G 1/30; F41G 1/32; F41G 1/38; F41G 1/44; F41G 1/46; G01C 9/24; G01C 9/26; G01C 9/34; G01C 9/36  
See application file for complete search history.

FIG. 1 is a front, bottom, and right side perspective view of a first embodiment of a focal plate for surveying instrument showing my new design;  
FIG. 2 is a front view thereof; the rear view being a mirror image thereof;  
FIG. 3 is a top view thereof; the bottom view being a mirror image thereof;  
FIG. 4 is a right side view thereof; the left side view being a mirror image thereof;  
FIG. 5 is a front, bottom, and right side perspective view of a second embodiment of a focal plate for surveying instrument showing my new design;  
FIG. 6 is a front view thereof;  
FIG. 7 is a rear view thereof;  
FIG. 8 is a top view thereof; the bottom view being a mirror image thereof; and,  
FIG. 9 is a right side view thereof; the left side view being a mirror image thereof.

(56) **References Cited**

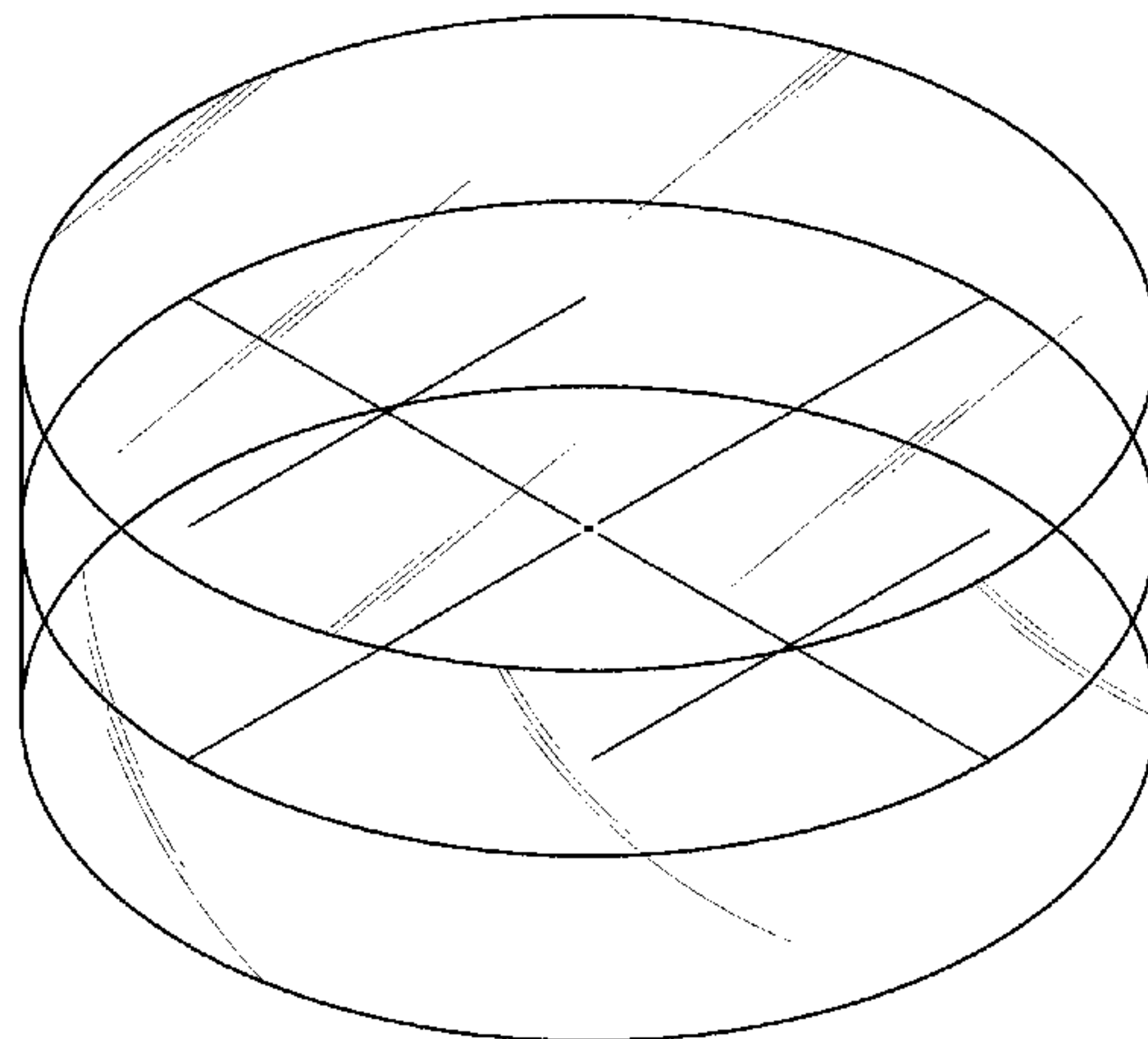
U.S. PATENT DOCUMENTS

D285,540 S \* 9/1986 Allen ..... D10/74  
D742,265 S \* 11/2015 Harck ..... D10/103  
9,285,187 B2 \* 3/2016 Stockdill ..... F41G 1/44  
D758,228 S \* 6/2016 Harck ..... D10/101  
D760,340 S \* 6/2016 Goess ..... D22/109  
D781,989 S \* 3/2017 Pride ..... D16/136

In FIGS. 5-7, the numerals depicted with broken lines illustrate portions of the focal plate for surveying instrument that form no part of the claimed design. In FIGS. 5-7, the concentric circles depicted with broken lines illustrate portion of the focal plate for surveying instrument that form part of the claimed design.

(Continued)

**1 Claim, 9 Drawing Sheets**



(56)

**References Cited**

U.S. PATENT DOCUMENTS

D783,763 S \* 4/2017 Pride ..... D16/136  
D783,764 S \* 4/2017 Byars ..... D16/136

\* cited by examiner

Fig.1

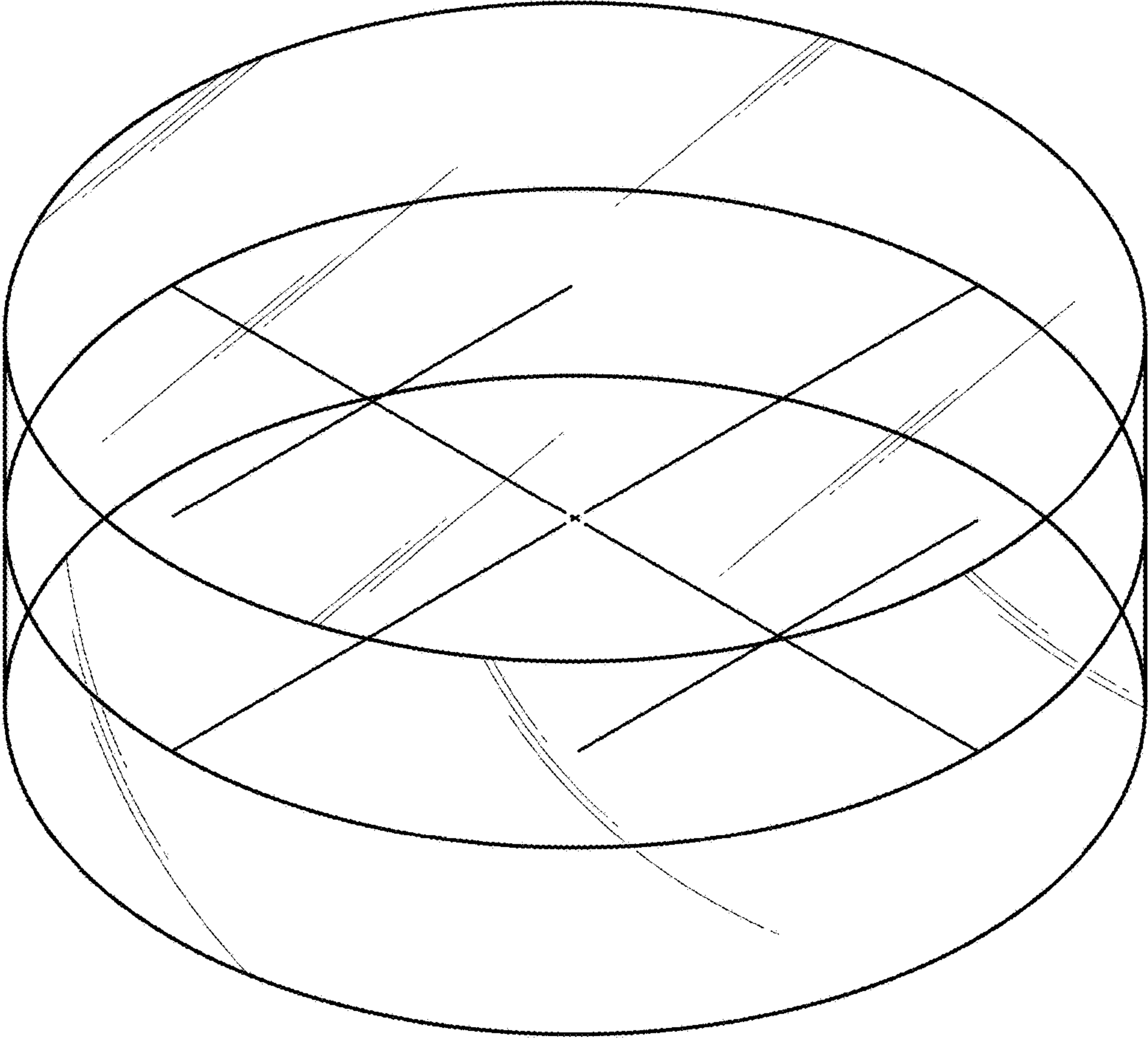


Fig.2

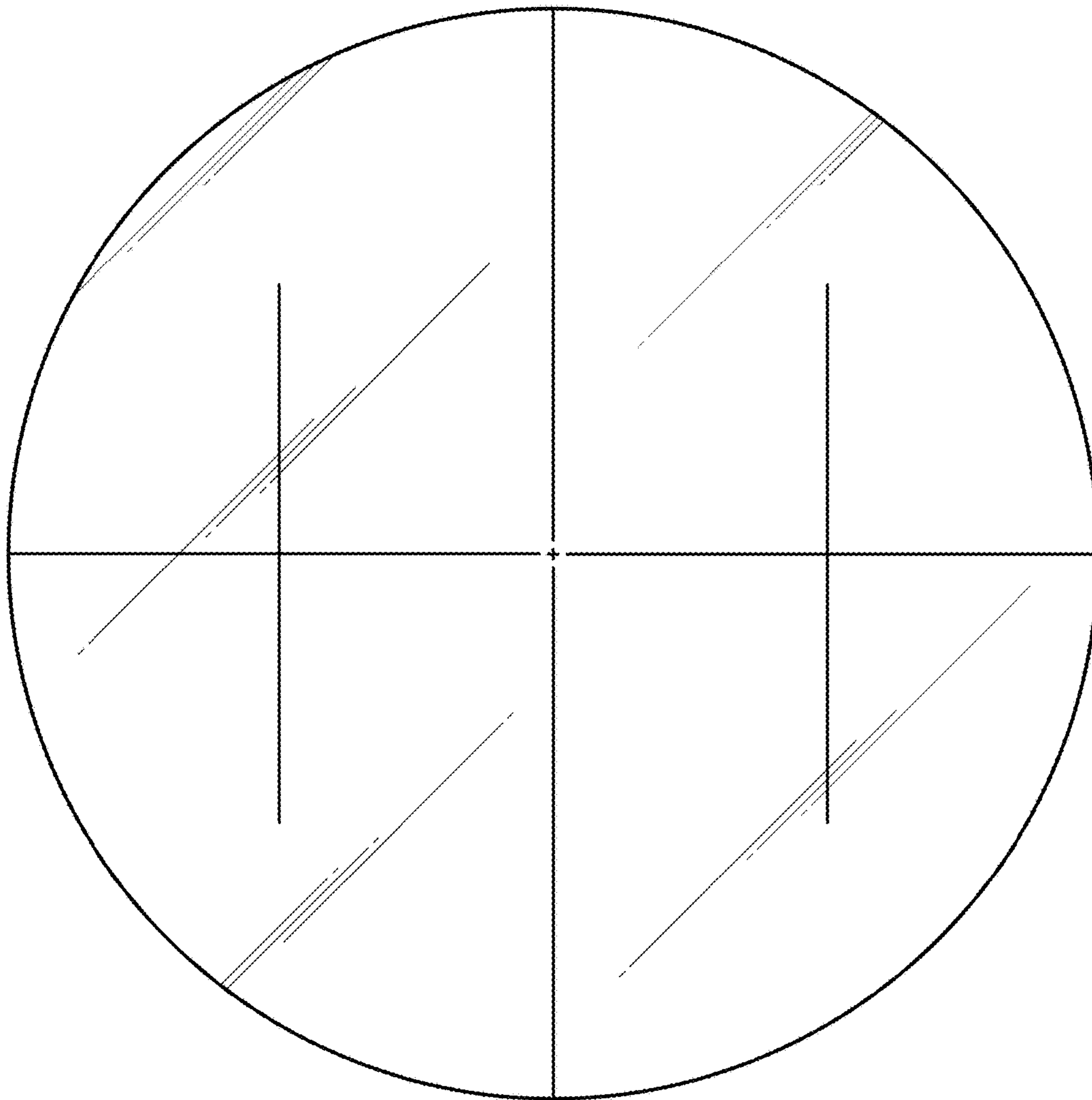


Fig.3

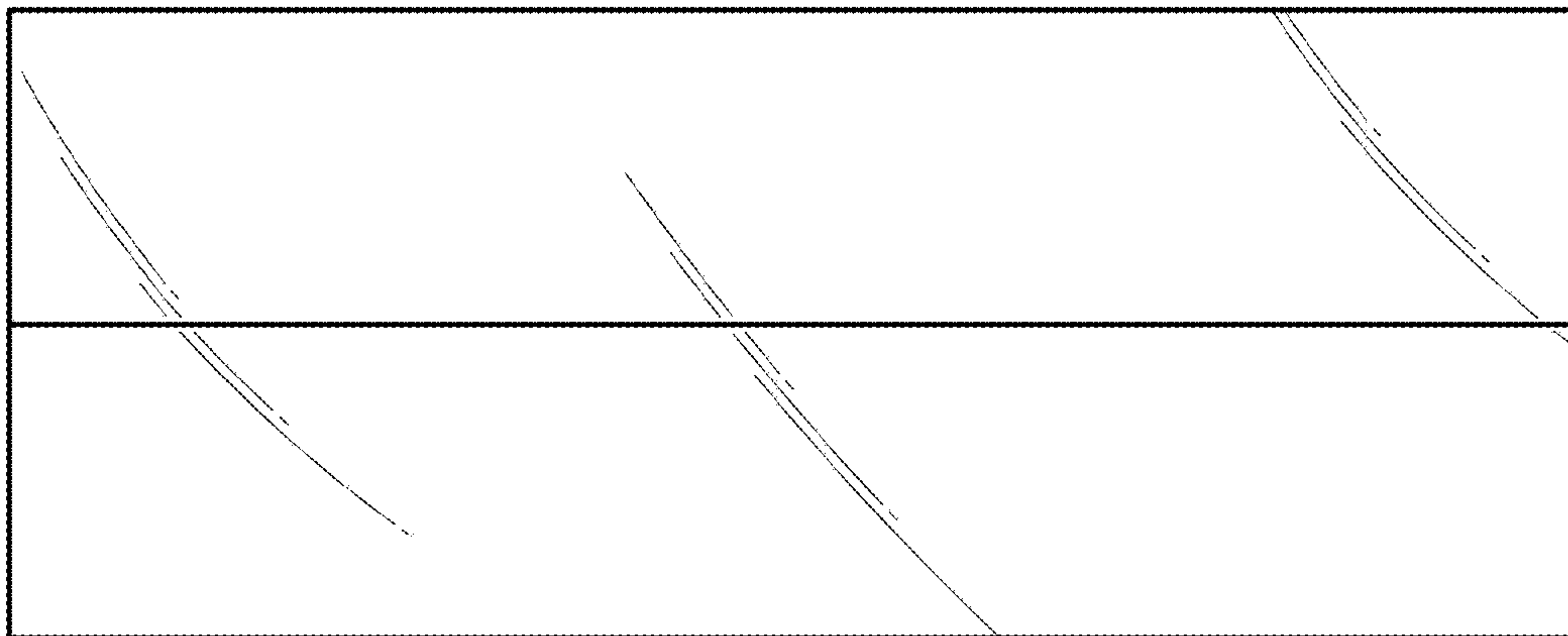


Fig.4

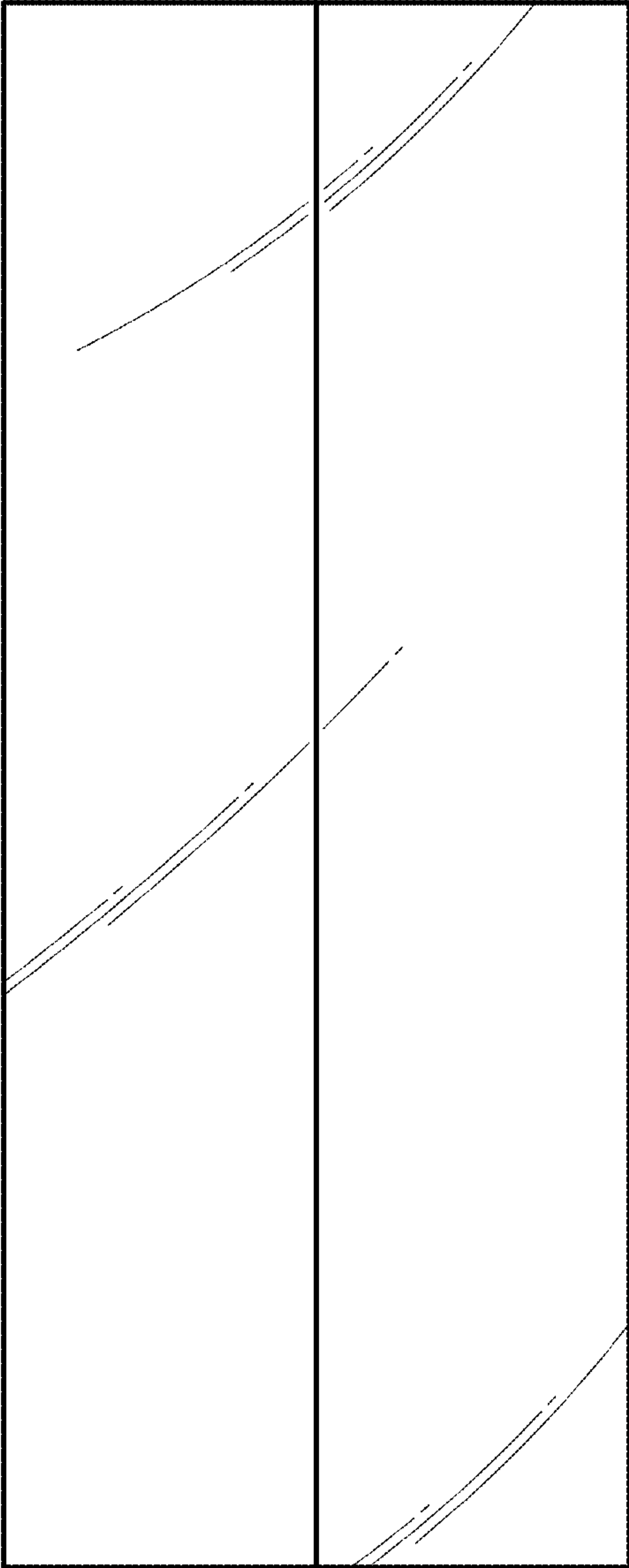




Fig.5

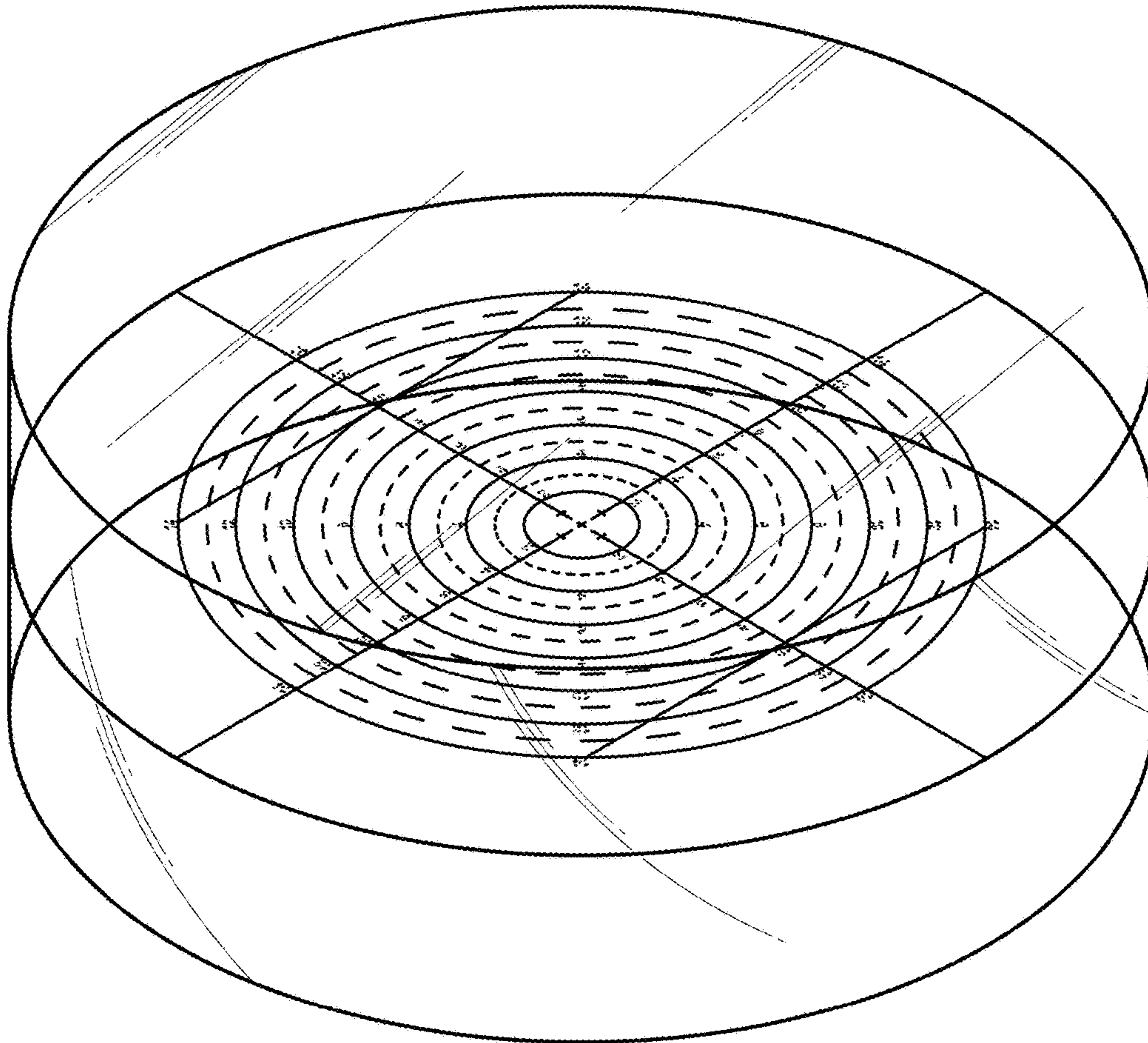


Fig.6

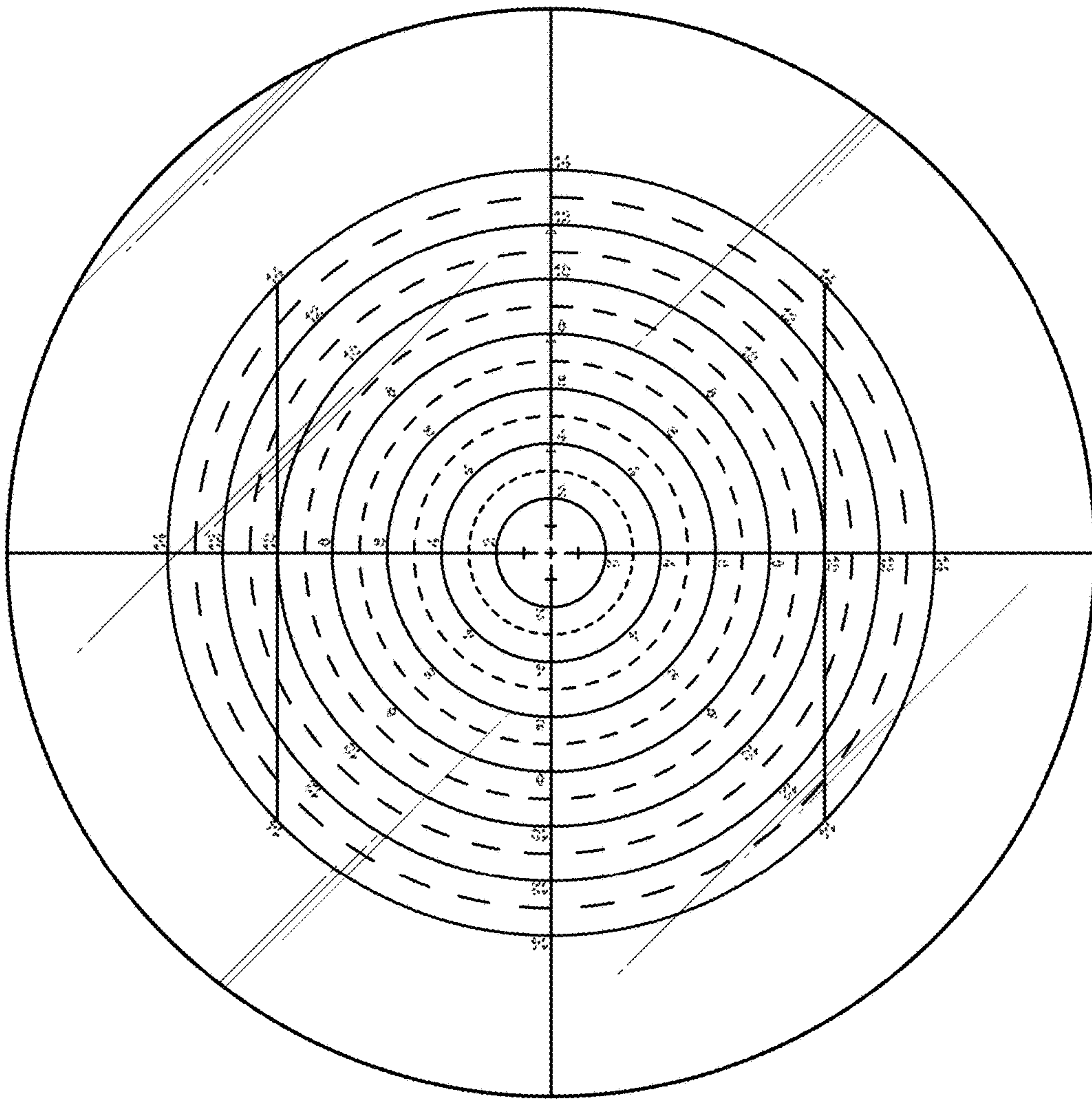




Fig.7

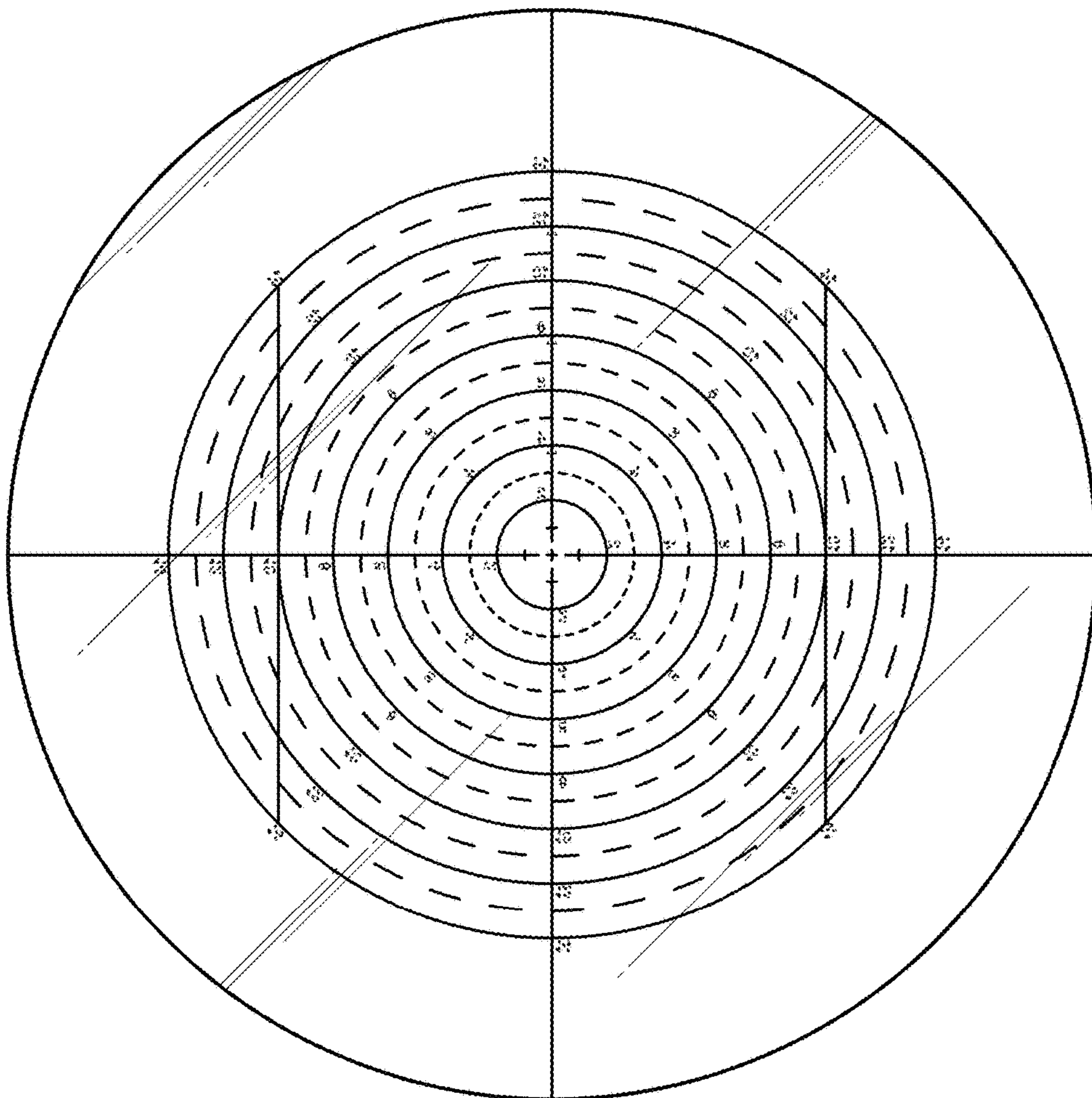


Fig.8

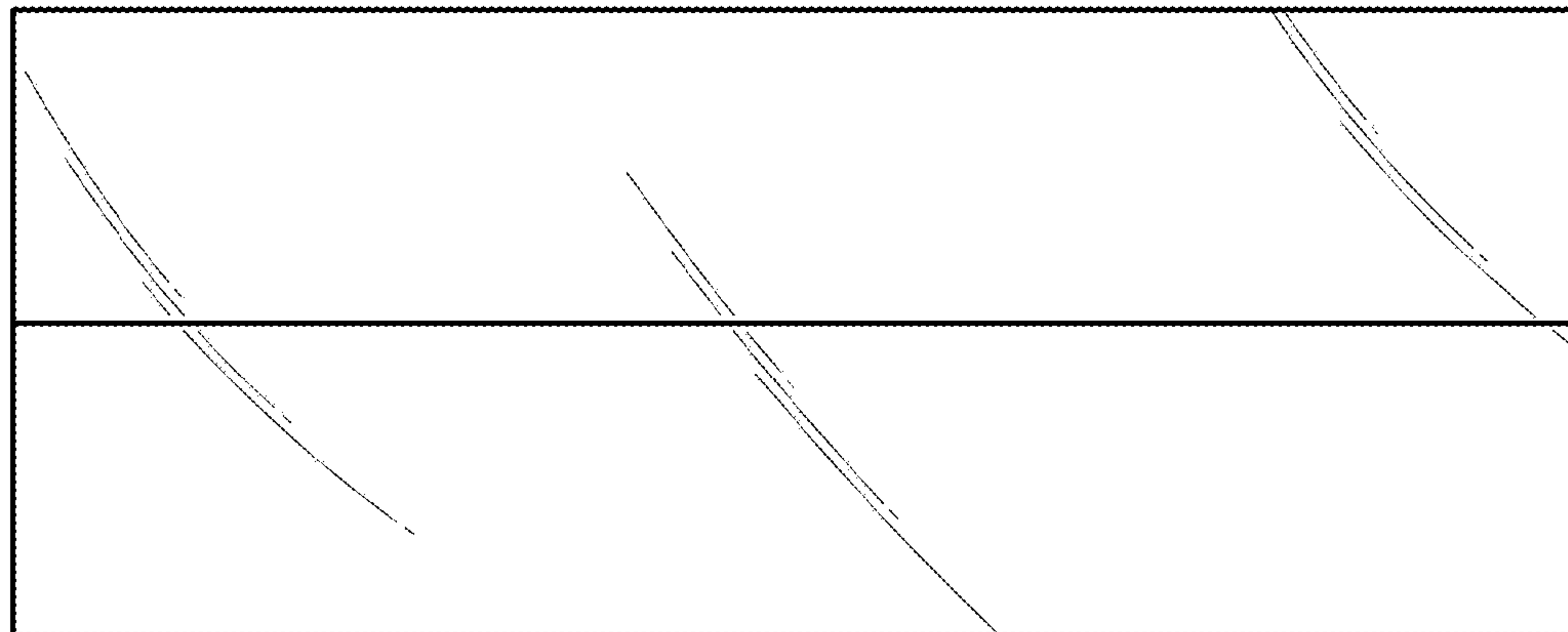


Fig.9

