



US00D798749S

(12) **United States Design Patent**  
**Larouche**

(10) **Patent No.:** **US D798,749 S**

(45) **Date of Patent:** **\*\* Oct. 3, 2017**

(54) **SWIMMING POOL THERMOMETER**

D269,662 S \* 7/1983 Ottaway ..... D10/57  
5,304,003 A \* 4/1994 Winger ..... G01K 1/06  
374/150

(71) Applicant: **CPA POOL PRODUCTS, INC.**,  
Blainville (CA)

D553,024 S \* 10/2007 Reed ..... D10/58  
D564,920 S \* 3/2008 Schoenjohn ..... D10/58

(72) Inventor: **Annie Larouche**, Mascouche (CA)

D688,957 S \* 9/2013 Rossano ..... D10/57  
D723,950 S \* 3/2015 Chalifoux ..... D10/57

(73) Assignee: **CPA POOL PRODUCTS, INC.**,  
Blainville (CA)

D726,034 S \* 4/2015 Chalifoux ..... D10/57

\* cited by examiner

(\*\*) Term: **15 Years**

*Primary Examiner* — Antoine Duval Davis

(21) Appl. No.: **29/561,587**

(74) *Attorney, Agent, or Firm* — Hodgson Russ LLP

(22) Filed: **Apr. 18, 2016**

(57) **CLAIM**

(51) **LOC (10) Cl.** ..... **10-04**

The ornamental design for a swimming pool thermometer,  
as shown and described.

(52) **U.S. Cl.**

USPC ..... **D10/58**

(58) **Field of Classification Search**

USPC ..... D10/57, 58

CPC ..... G01K 1/02; G01K 1/022; G01K 1/024;

G01K 1/08; G01K 1/14; G01K 1/143;

G01K 13/00; G01K 2013/026

See application file for complete search history.

**DESCRIPTION**

FIG. 1 is a front perspective view of a first embodiment of  
a swimming pool thermometer showing my new design;  
FIG. 2 is a rear perspective view thereof;  
FIG. 3 is a front elevational view thereof;  
FIG. 4 is a rear elevational bottom view thereof;  
FIG. 5 is a left side elevational view thereof;  
FIG. 6 is a right side elevational view thereof;  
FIG. 7 is a top view thereof; and,  
FIG. 8 is a bottom view thereof.

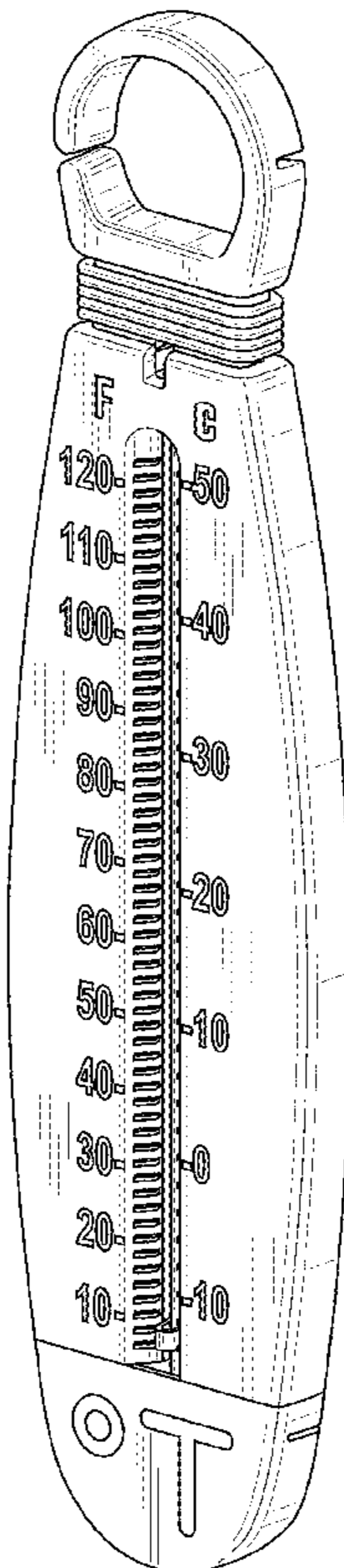
(56) **References Cited**

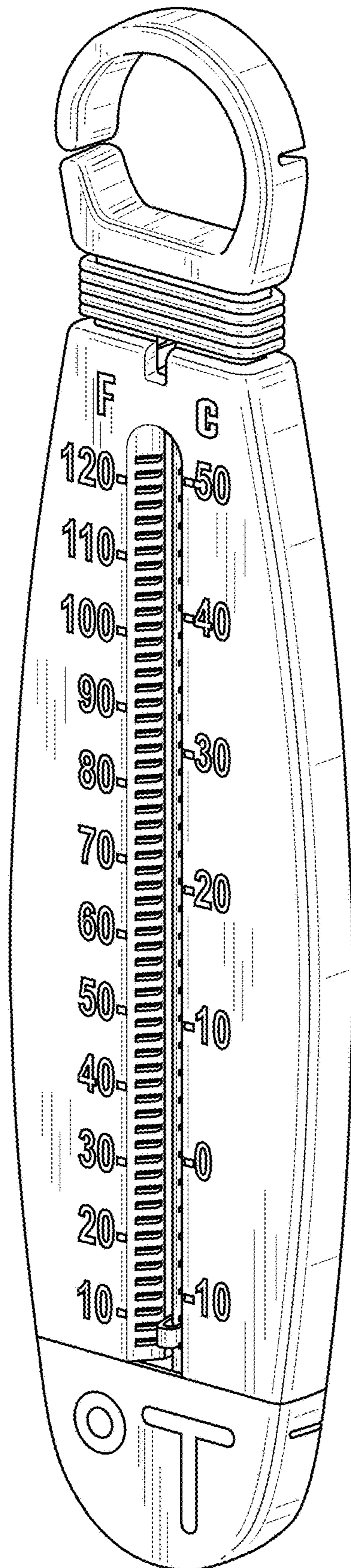
**U.S. PATENT DOCUMENTS**

3,022,671 A \* 2/1962 Wappner ..... G01K 1/14  
248/690

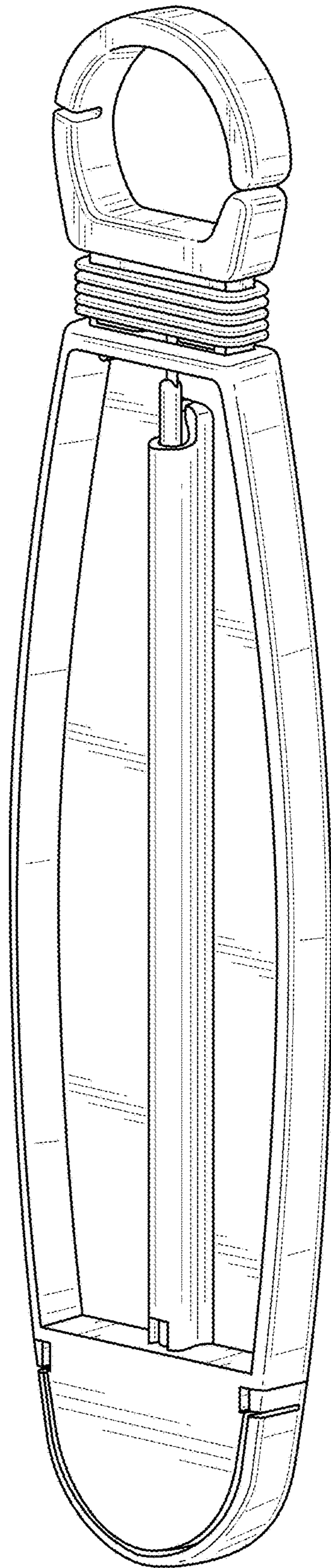
3,961,531 A \* 6/1976 Peng ..... G01K 1/14  
374/156

**1 Claim, 6 Drawing Sheets**

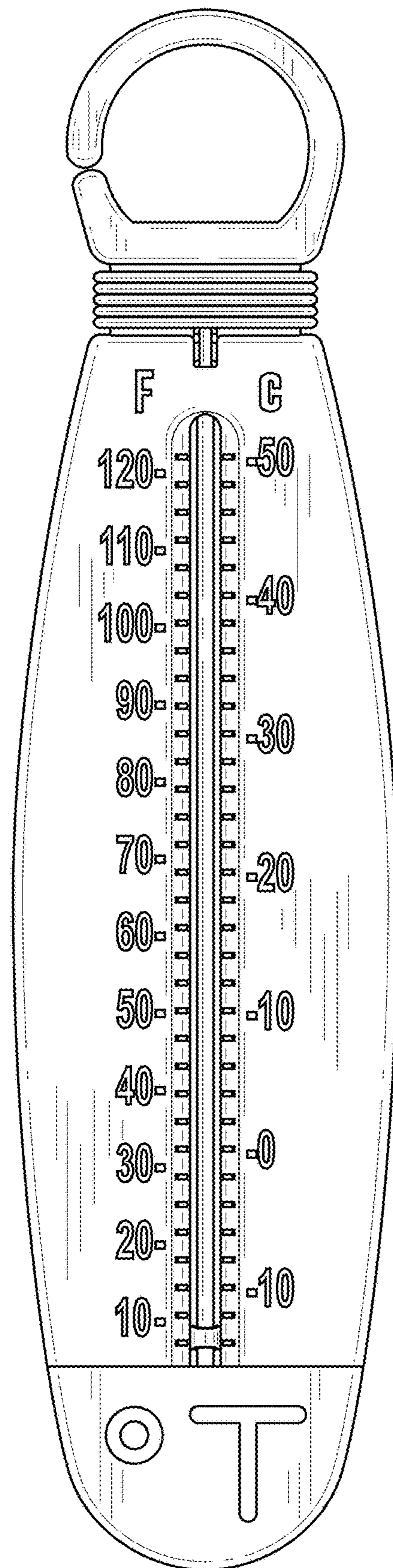




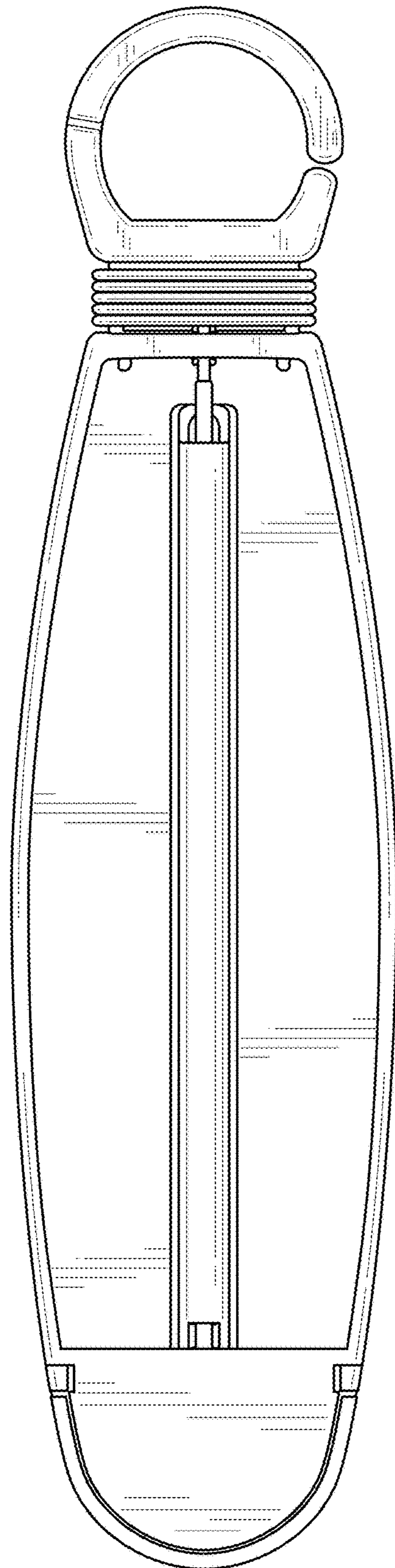
**FIG. 1**



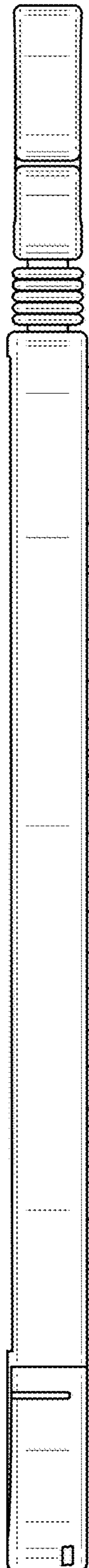
**FIG. 2**



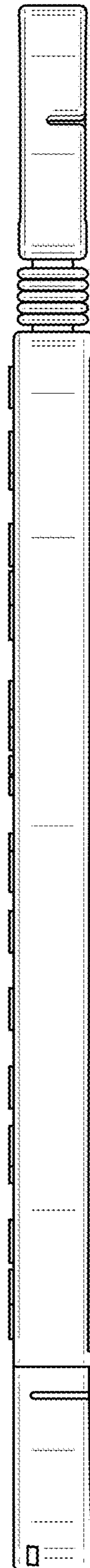
**FIG. 3**



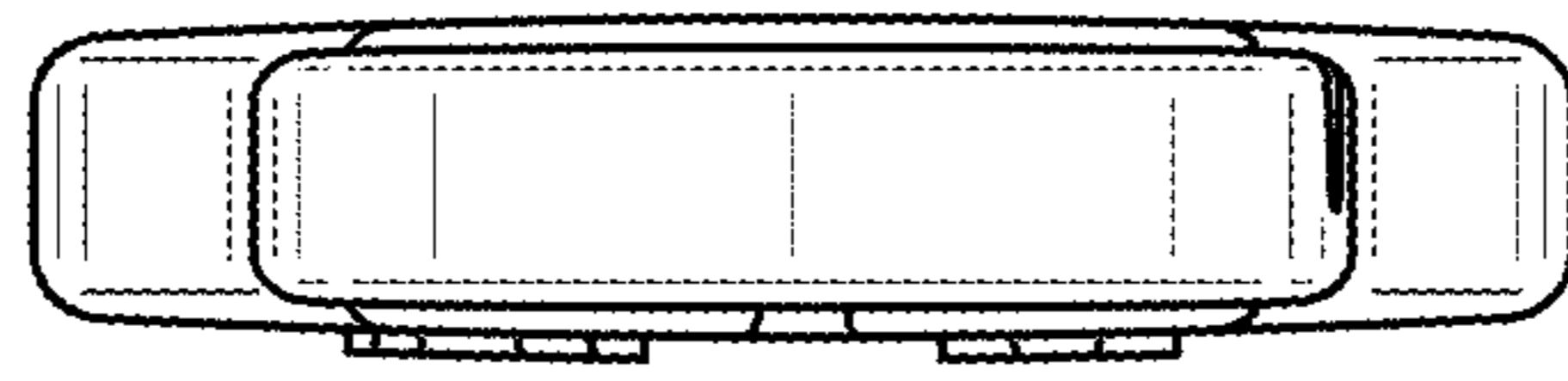
**FIG. 4**



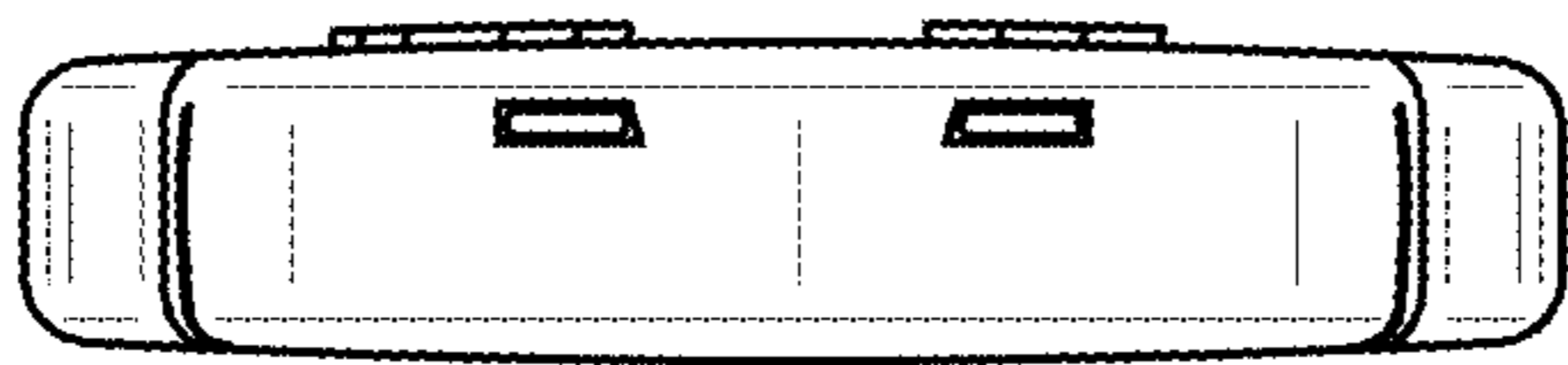
**FIG. 5**



**FIG. 6**



**FIG. 7**



**FIG. 8**