



US00D798747S

(12) **United States Design Patent** (10) **Patent No.:** **US D798,747 S**
White et al. (45) **Date of Patent:** **** Oct. 3, 2017**

(54) **WATCH**
(71) Applicant: **Nixon, Inc.**, Encinitas, CA (US)
(72) Inventors: **Tyson White**, Encinitas, CA (US); **Joe Babcock**, Encinitas, CA (US); **Franck Juvin**, Encinitas, CA (US)
(73) Assignee: **NIXON, INC.**, Encinitas
(**) Term: **15 Years**

D645,766 S * 9/2011 Bertucci D10/38
D679,200 S * 4/2013 Jacquerye D10/39
D679,201 S * 4/2013 Jacquerye D10/39
D694,655 S * 12/2013 Rufenacht D10/38
D705,088 S * 5/2014 Emch D10/39
D713,269 S * 9/2014 Rapko D10/30
D750,505 S * 3/2016 Cerrato D10/30
9,507,323 B2 * 11/2016 Graemiger G04F 7/0823
D782,337 S * 3/2017 White D10/39
D782,339 S * 3/2017 White D10/39
2013/0322218 A1 * 12/2013 Burkhardt G04C 3/146
368/22

(21) Appl. No.: **29/563,838**
(22) Filed: **May 9, 2016**
(51) **LOC (10) Cl.** **10-02**
(52) **U.S. Cl.**
USPC **D10/39**
(58) **Field of Classification Search**
USPC D10/30-39, 65, 70, 78, 97, 98; D11/3;
D14/344; D24/167-168, 186
CPC G04B 19/00-19/34; G04B 23/12; G04B
37/00-37/228; G04B 47/00-47/068;
G01C 17/00; G01C 21/00-21/3697;
G01C 22/00-22/025; G06F 19/3481
See application file for complete search history.

* cited by examiner

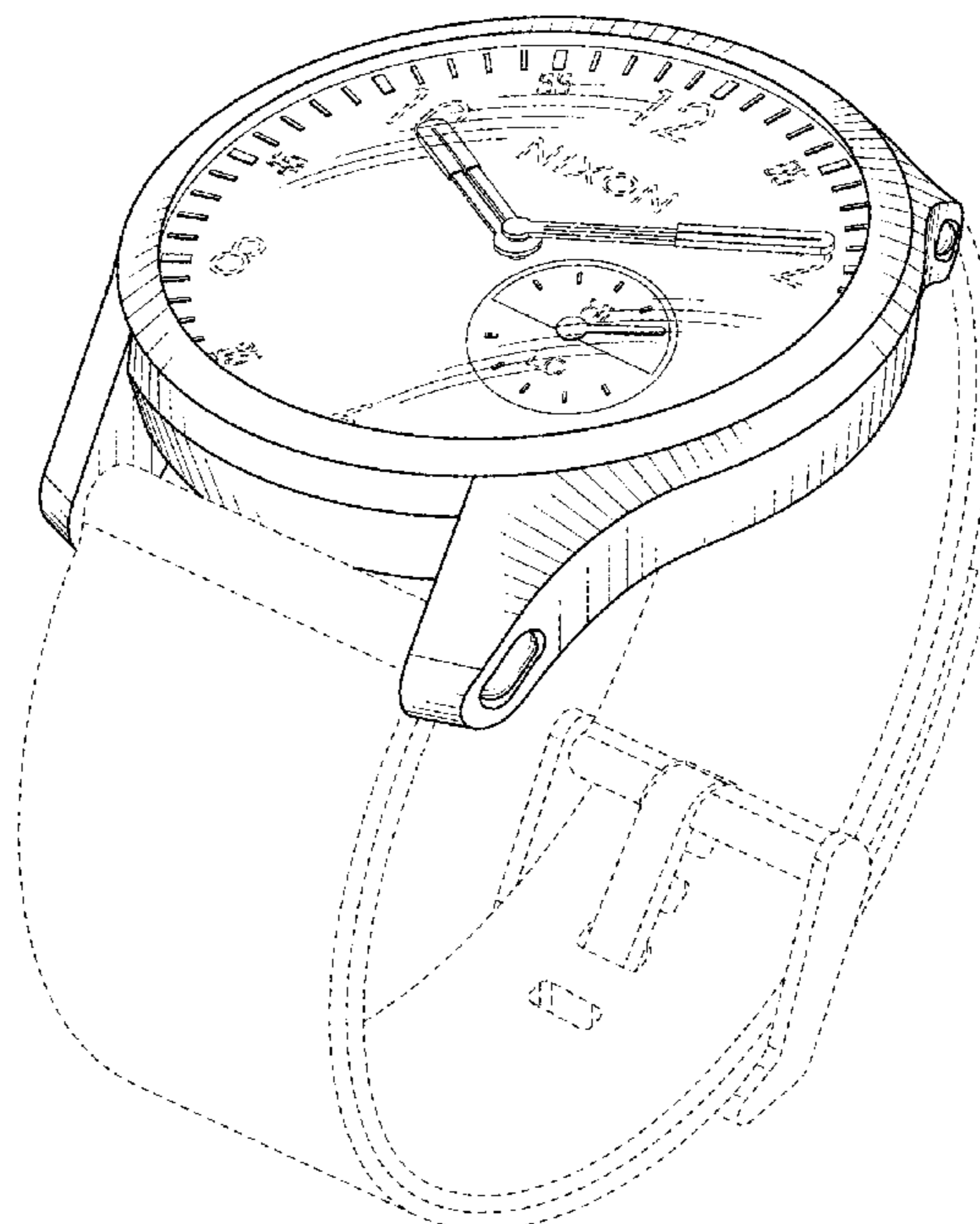
Primary Examiner — Sandra Snapp
Assistant Examiner — Katherine Glennon
(74) *Attorney, Agent, or Firm* — Torrey Pines Law Group, PC; Kevin Buckley

(56) **References Cited**
U.S. PATENT DOCUMENTS
D251,055 S * 2/1979 Sulek D10/38
D326,419 S * 5/1992 Bulgari D10/39
5,220,541 A * 6/1993 Vuilleumier G04F 7/0814
368/110
6,570,823 B1 * 5/2003 Gilomen G04F 8/00
368/110
7,445,374 B2 * 11/2008 Forsey G04F 7/0866
368/101

(57) **CLAIM**
The ornamental design for a watch, as shown and described.

DESCRIPTION
FIG. 1 is a front right perspective view of a watch showing our new design;
FIG. 2 is a front elevation view thereof;
FIG. 3 is a back elevation view thereof;
FIG. 4 is a left side view thereof;
FIG. 5 is a right side view thereof;
FIG. 6 is a top view thereof; and,
FIG. 7 is a bottom view thereof.
The evenly-spaced broken lines showing the watch strap and clasp are for environmental purposes only and form no part of the claimed design.

1 Claim, 7 Drawing Sheets



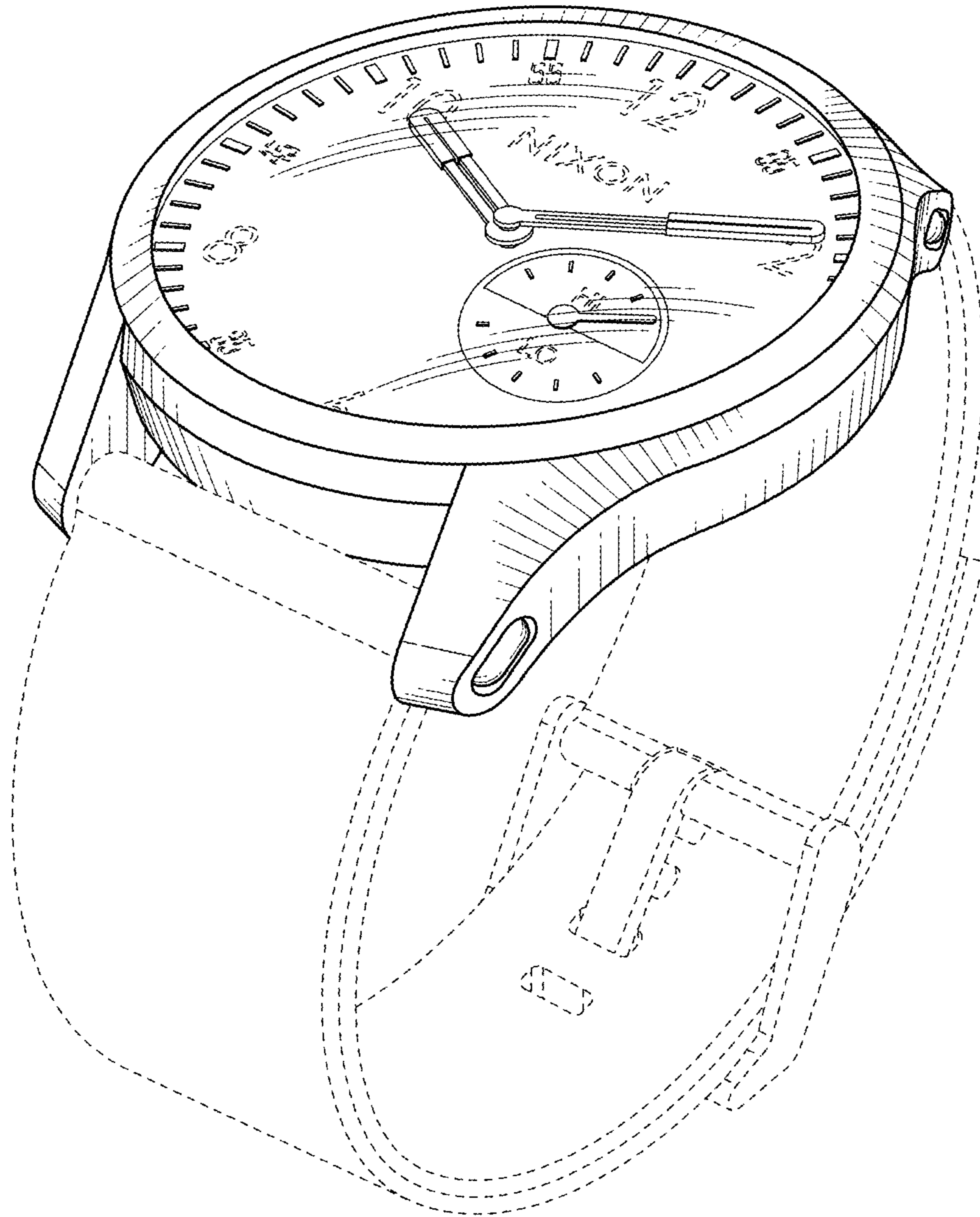


FIG. 1

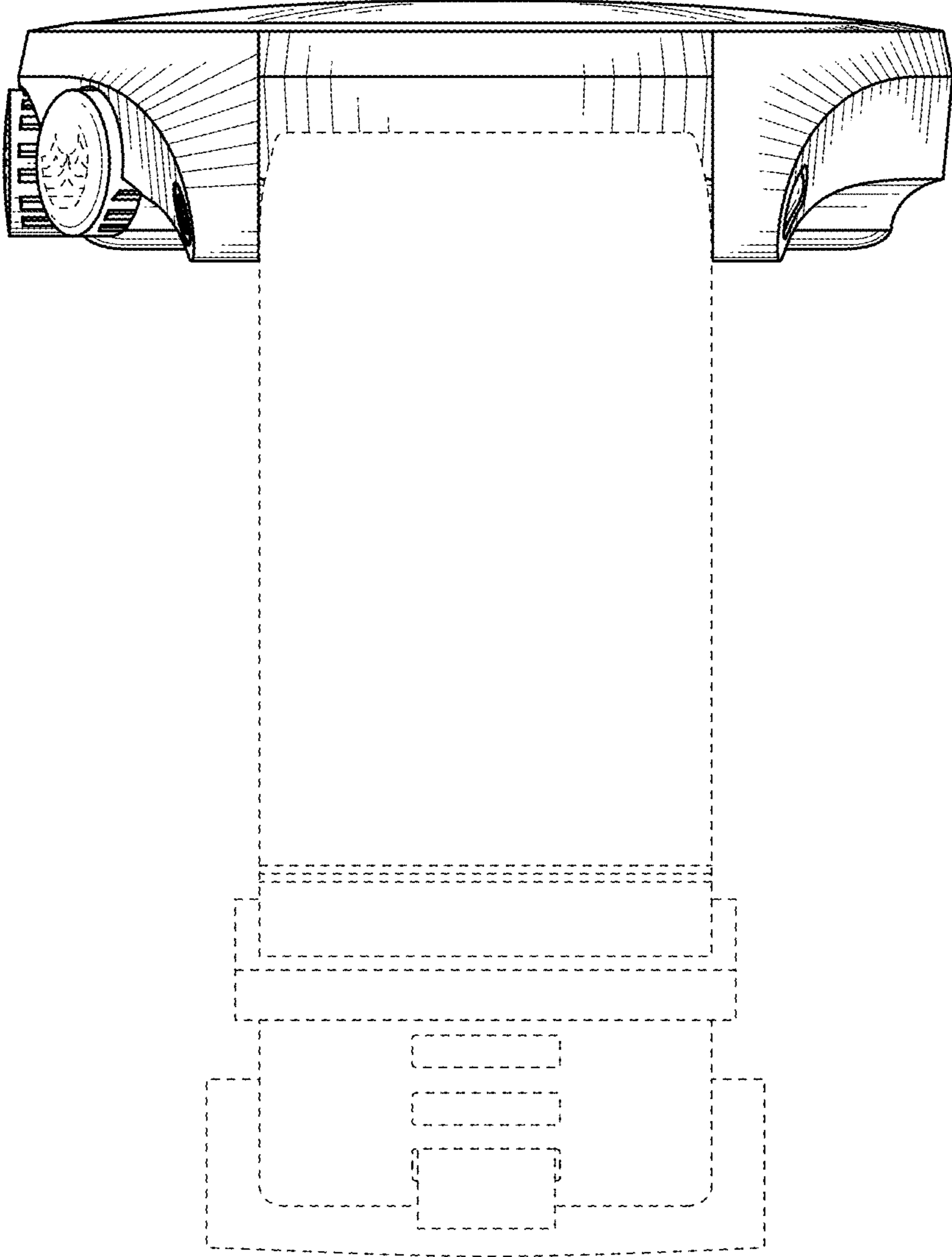


FIG. 2

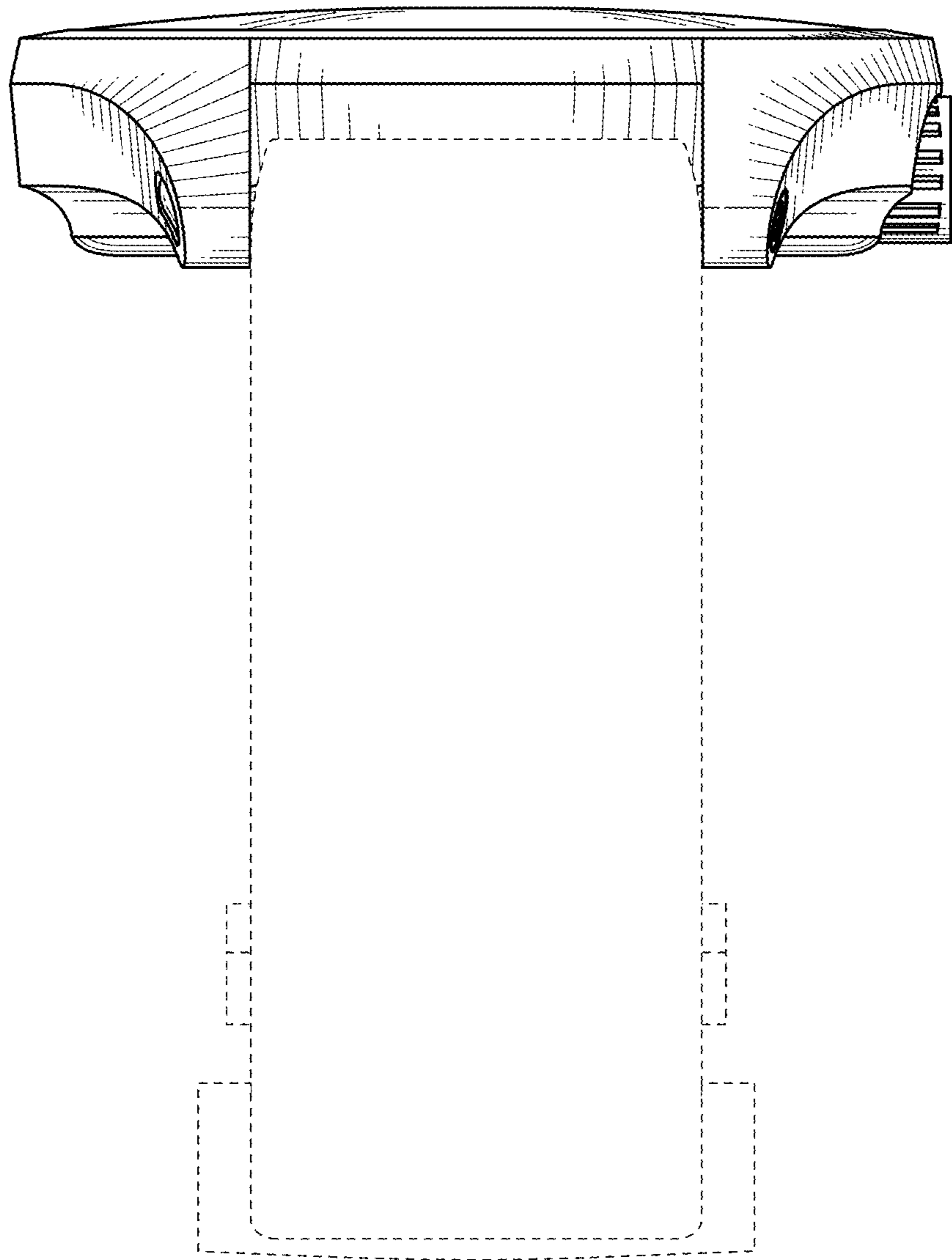


FIG. 3

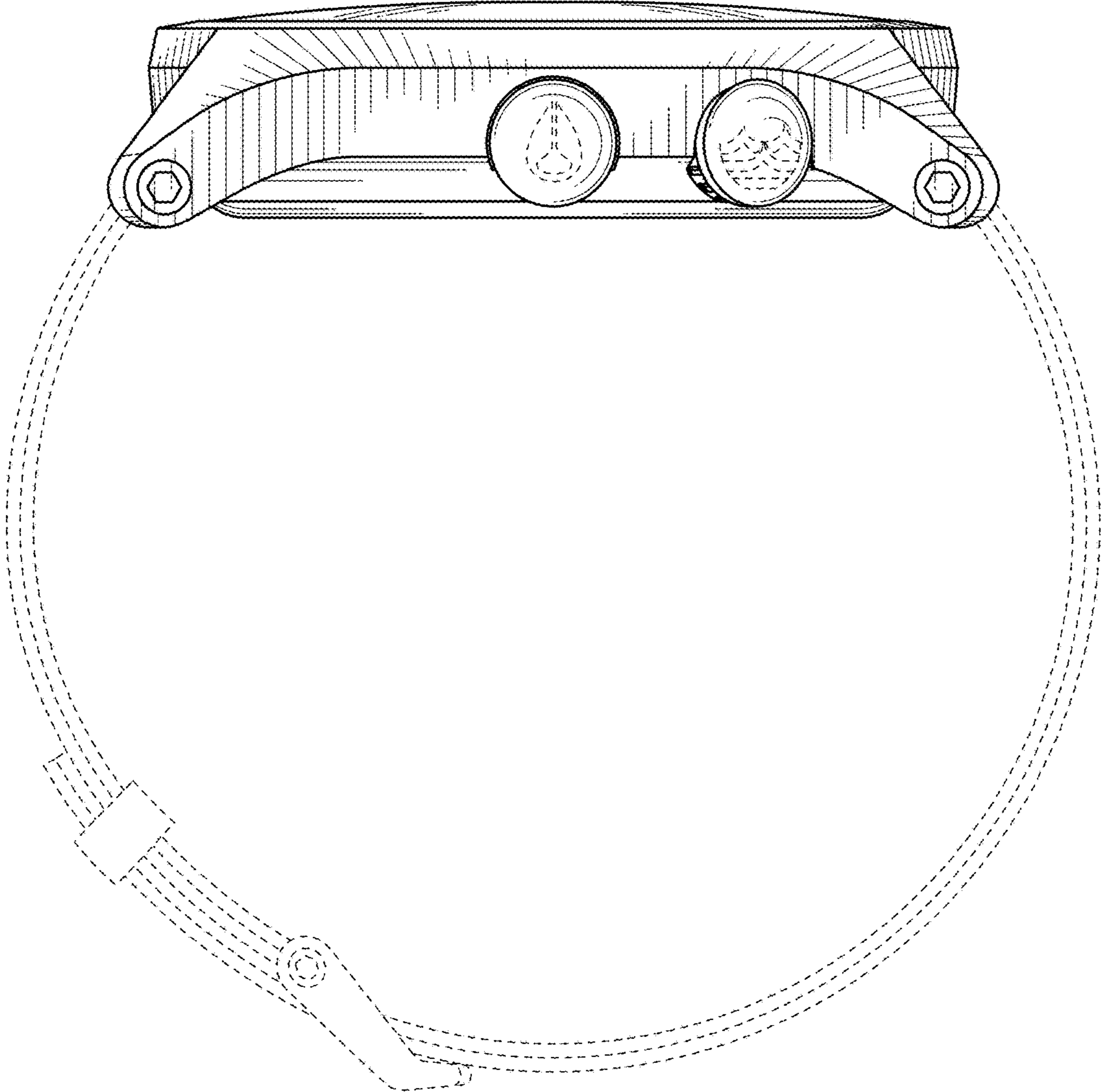


FIG. 4

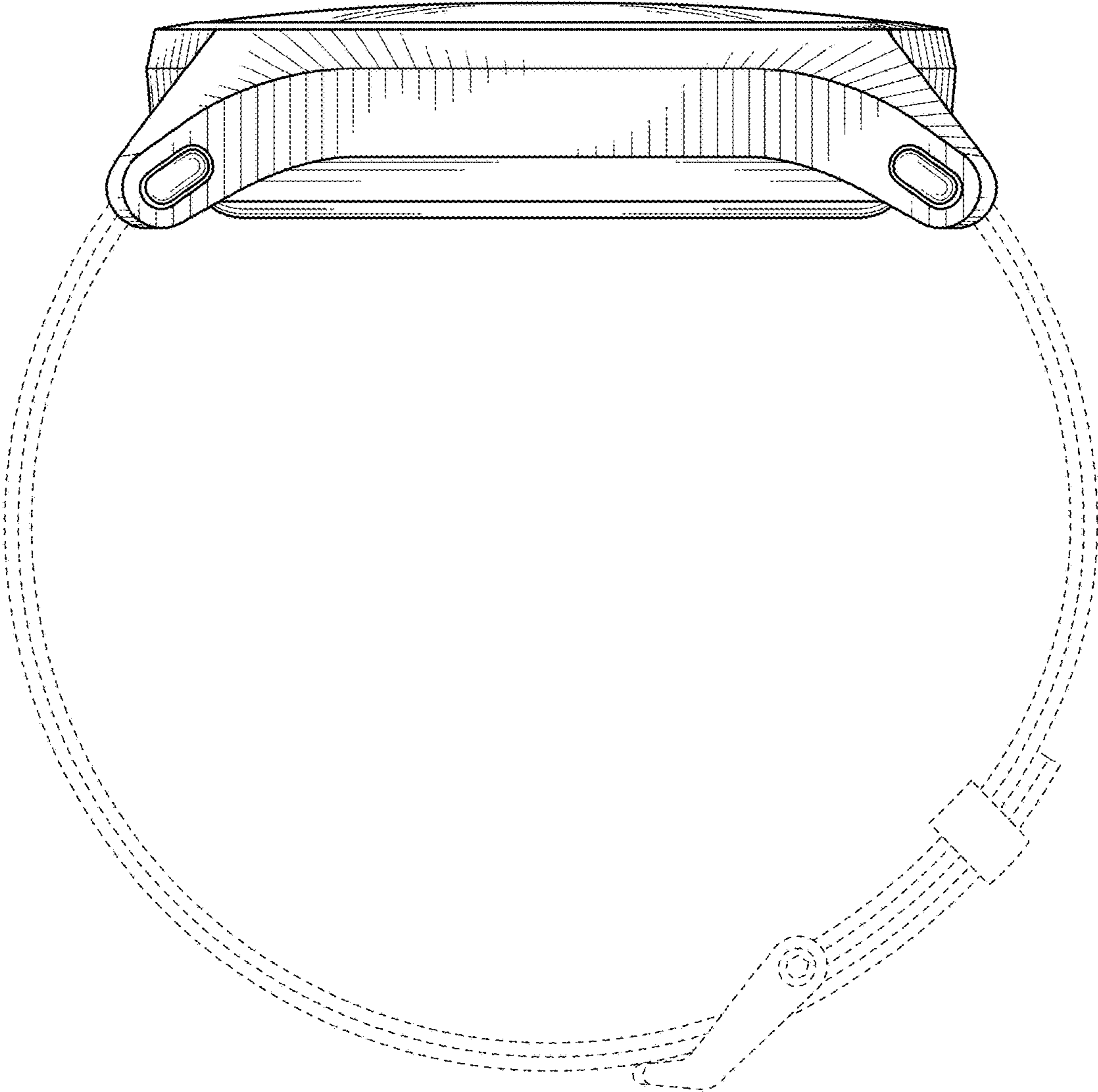


FIG. 5



FIG. 6

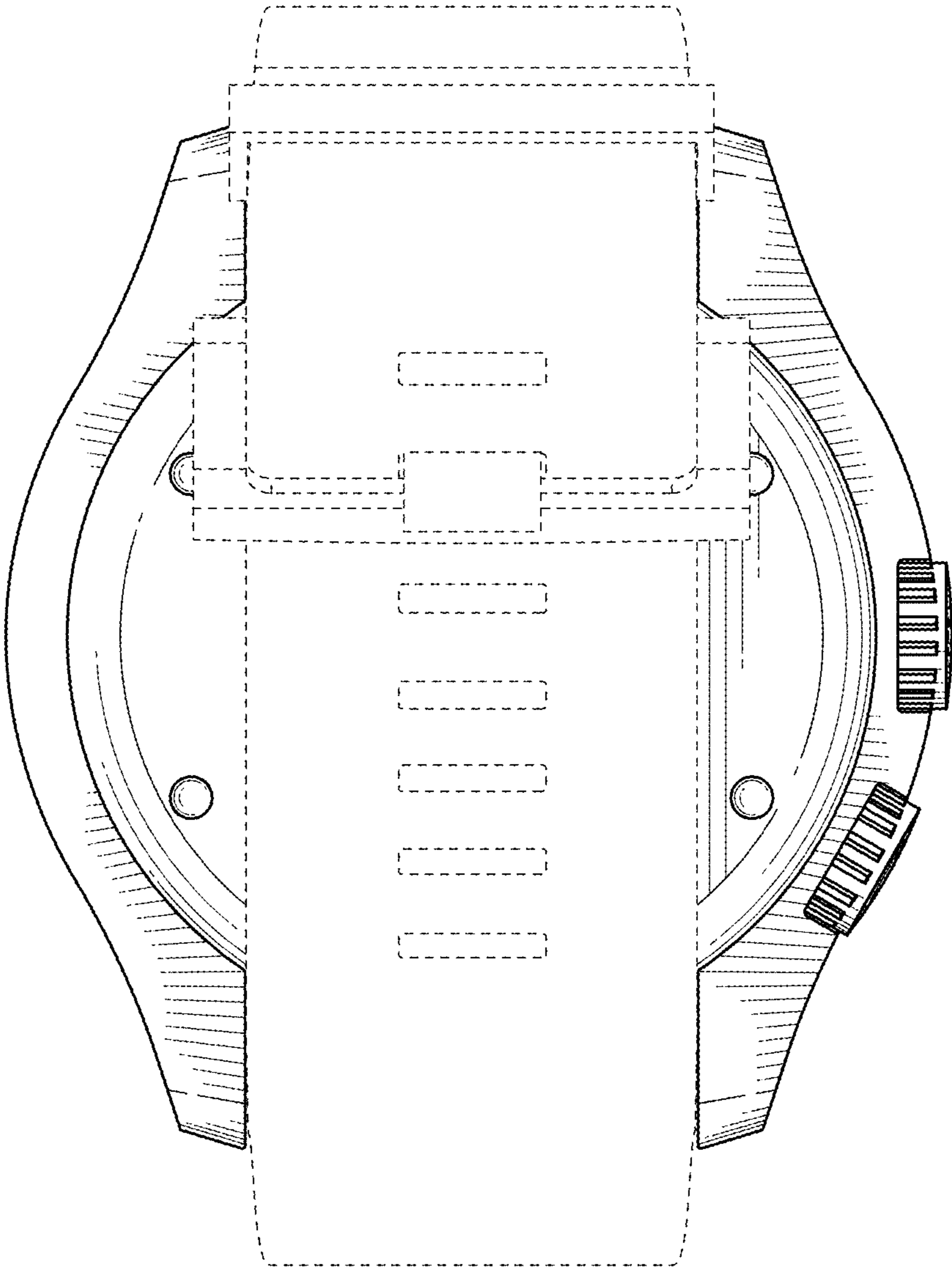


FIG. 7