



US00D798746S

(12) **United States Design Patent**
Mille

(10) **Patent No.:** **US D798,746 S**

(45) **Date of Patent:** **** Oct. 3, 2017**

(54) **WRIST WATCH WITHOUT BRACELET**

(71) Applicant: **Turlen Holding SA**, Les Breuleux (CH)

(72) Inventor: **Richard Mille**, Moulins (FR)

(73) Assignee: **TURLEN HOLDINGS SA**, Les Breuleux (CH)

(**) Term: **15 Years**

(21) Appl. No.: **29/557,342**

(22) Filed: **Mar. 8, 2016**

(30) **Foreign Application Priority Data**

Oct. 5, 2015 (WO) DM/087813

(51) **LOC (10) Cl.** **10-02**

(52) **U.S. Cl.**
USPC **D10/39; D10/30**

(58) **Field of Classification Search**

USPC D10/1-29, 30-39, 122-132
CPC G04C 17/00; G04C 3/061; G04C 3/102;
G04C 13/10; G04B 15/06; G04B 15/08;
G04B 15/14; G04B 17/00; G04B 17/063;
G04B 17/08; G04B 18/023; G04B 19/00;
G04B 19/04; G04B 19/06; G04B 19/065;
G04B 19/10; G04B 19/12; G04B 19/24;
G04B 19/268; G04B 19/30; G04B
37/0058; G04B 37/0066; G04B 37/0008;
G04B 37/081; G04B 37/082; G04B
37/18; G04B 37/22; A44C 5/14

See application file for complete search history.

(56) **References Cited**

U.S. PATENT DOCUMENTS

D108,738 S * 3/1938 Merz D10/38
D151,301 S * 10/1948 Tuffo D10/128
D465,171 S * 11/2002 Lepeu D10/131

D489,629 S * 5/2004 Chodat D10/30
D510,707 S * 10/2005 Cheng D10/30
D515,947 S * 2/2006 Jorst D10/39
D570,710 S * 6/2008 Wong D10/30
D578,413 S * 10/2008 Laucella D10/39
D600,144 S * 9/2009 Diltoer D10/38
D615,879 S * 5/2010 Monachon D10/32
D616,312 S * 5/2010 Ellia D10/39
D616,767 S * 6/2010 Laucella D10/39
D623,541 S * 9/2010 Loth D10/32
D648,639 S * 11/2011 Mille D10/39
D658,515 S * 5/2012 Mille D10/39
D708,075 S * 7/2014 Mille D10/39
D710,714 S * 8/2014 Monachon D10/39
D711,751 S * 8/2014 Laucella D10/39
D714,164 S * 9/2014 Vuilleumier D10/30

(Continued)

Primary Examiner — Sheryl Lane

Assistant Examiner — Samantha Wood

(74) *Attorney, Agent, or Firm* — Donald J. Ranft; Collen IP

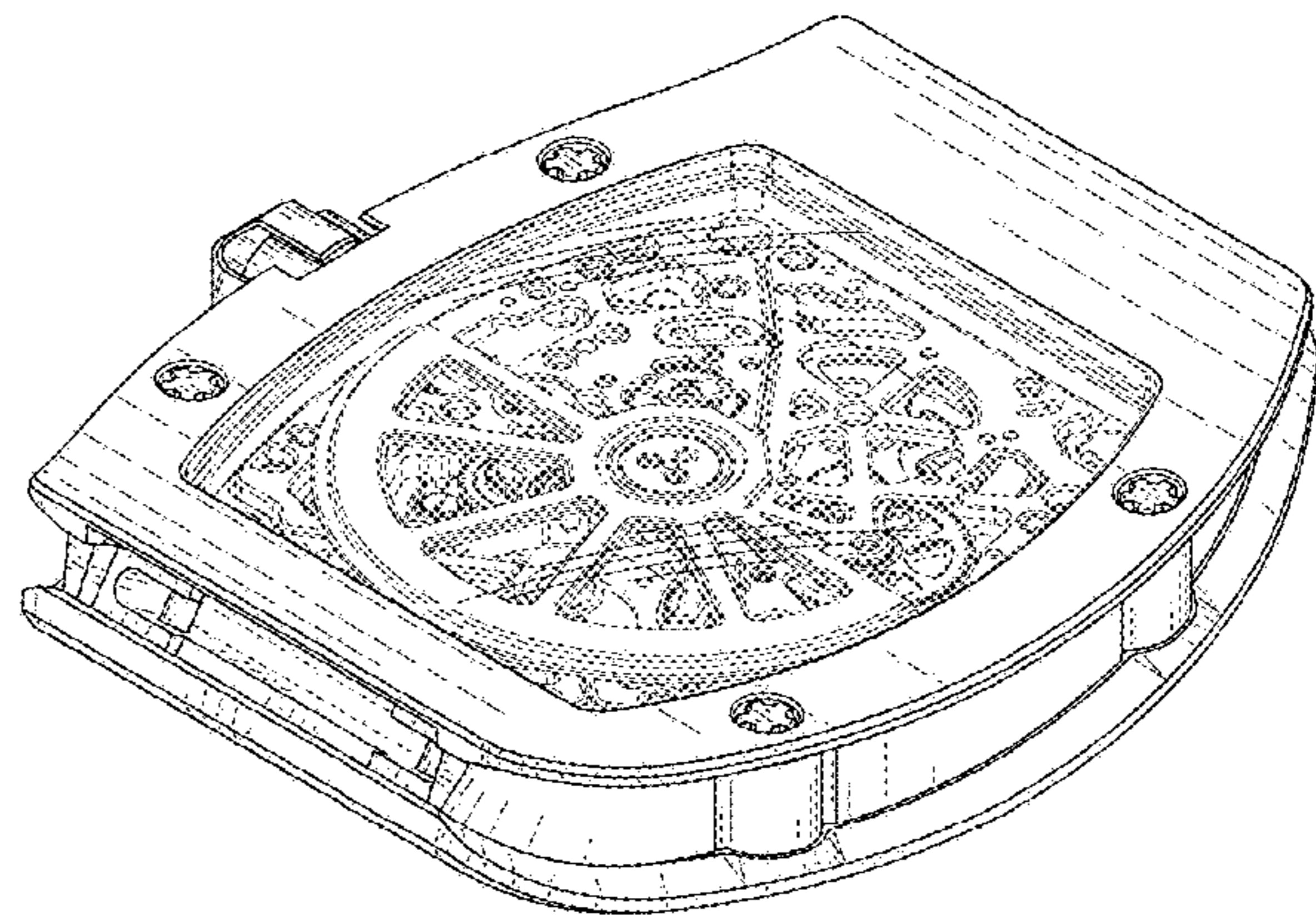
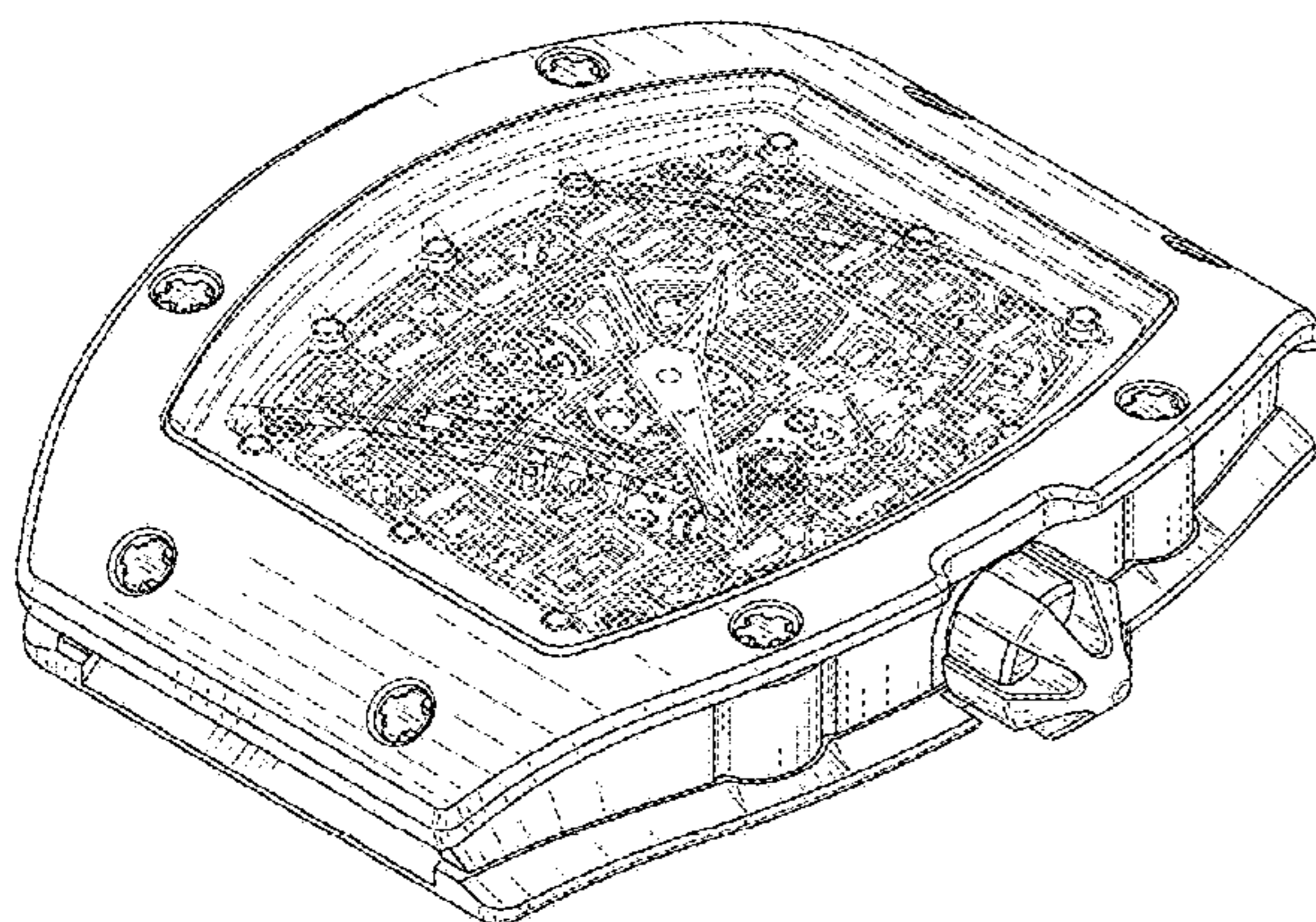
(57) **CLAIM**

The ornamental design for a wrist watch without bracelet, as shown and described.

DESCRIPTION

FIG. 1 is a front right perspective view of a wrist watch without bracelet showing my new design;
FIG. 2 is a rear left perspective view thereof;
FIG. 3 is a front view thereof;
FIG. 4 is a rear view thereof;
FIG. 5 is a left side view thereof;
FIG. 6 is a right side view thereof;
FIG. 7 is a top view thereof;
FIG. 8 is a bottom view thereof;
FIG. 9 is a front left perspective view thereof; and,
FIG. 10 is a rear right perspective view thereof.
The portions of the article shown in broken lines form no part of the claimed design.

1 Claim, 8 Drawing Sheets



(56)

References Cited

U.S. PATENT DOCUMENTS

D714,662 S * 10/2014 Mille D10/39
D715,164 S * 10/2014 Tedeschi D10/128

* cited by examiner

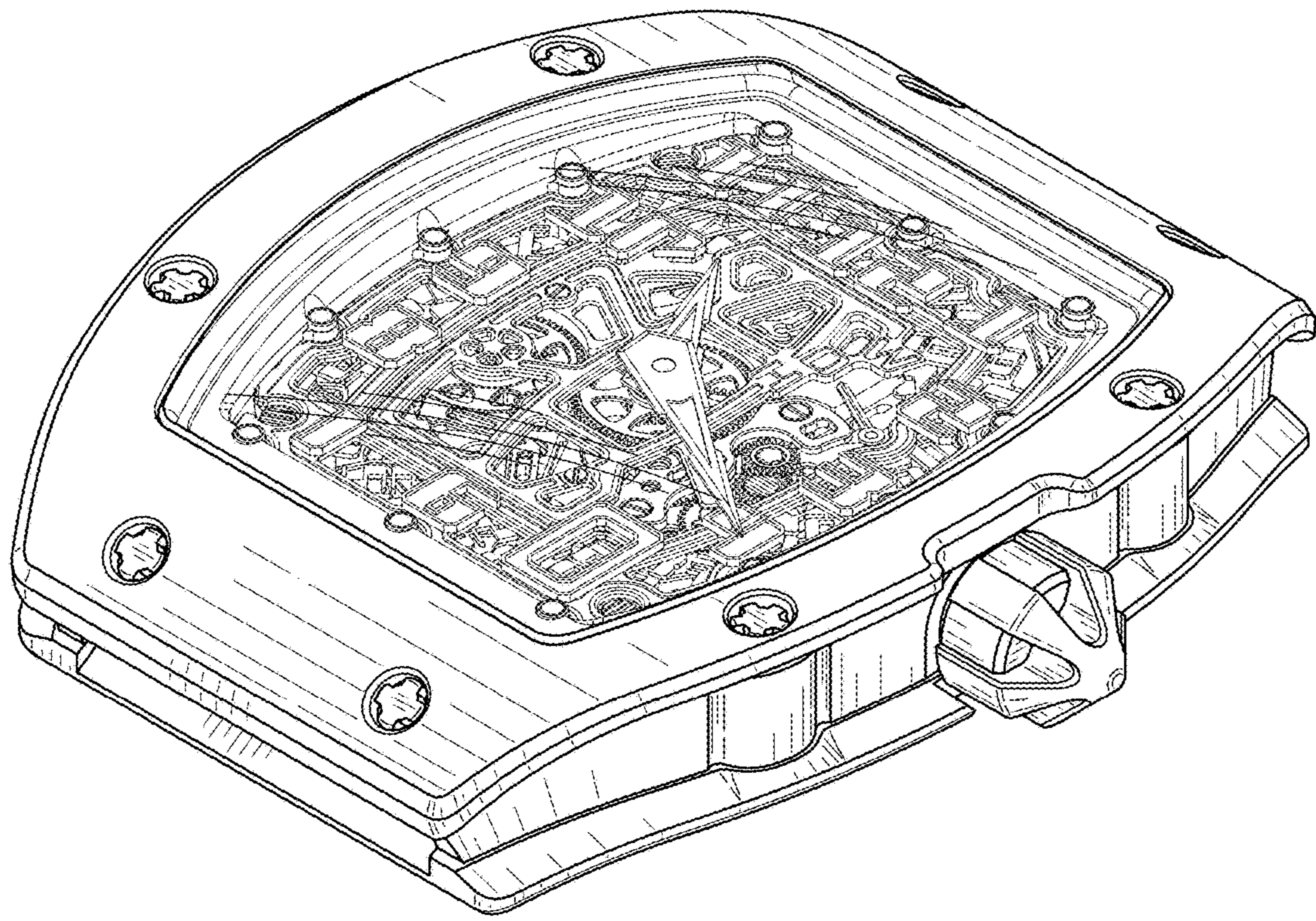


FIG. 1

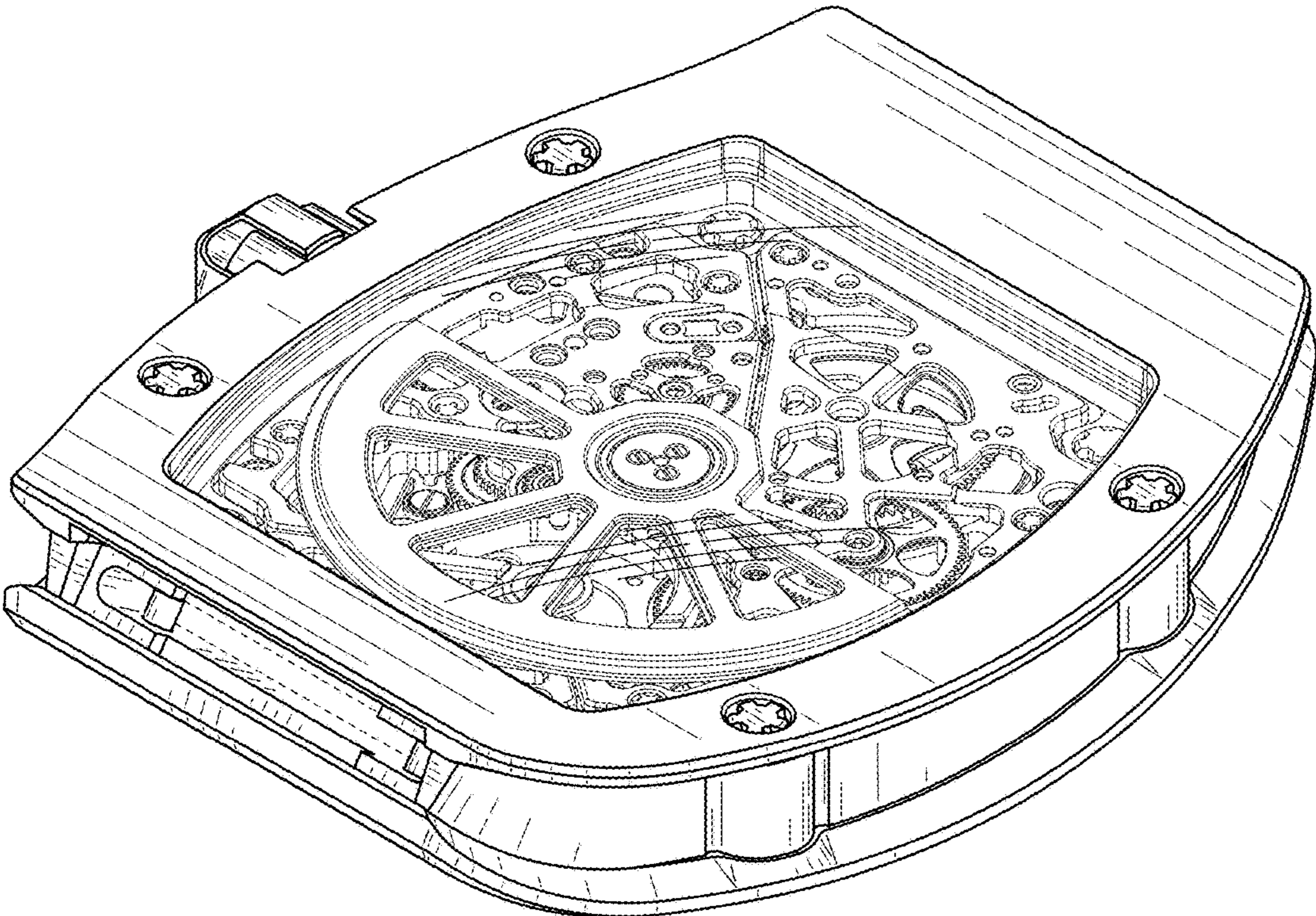


FIG. 2

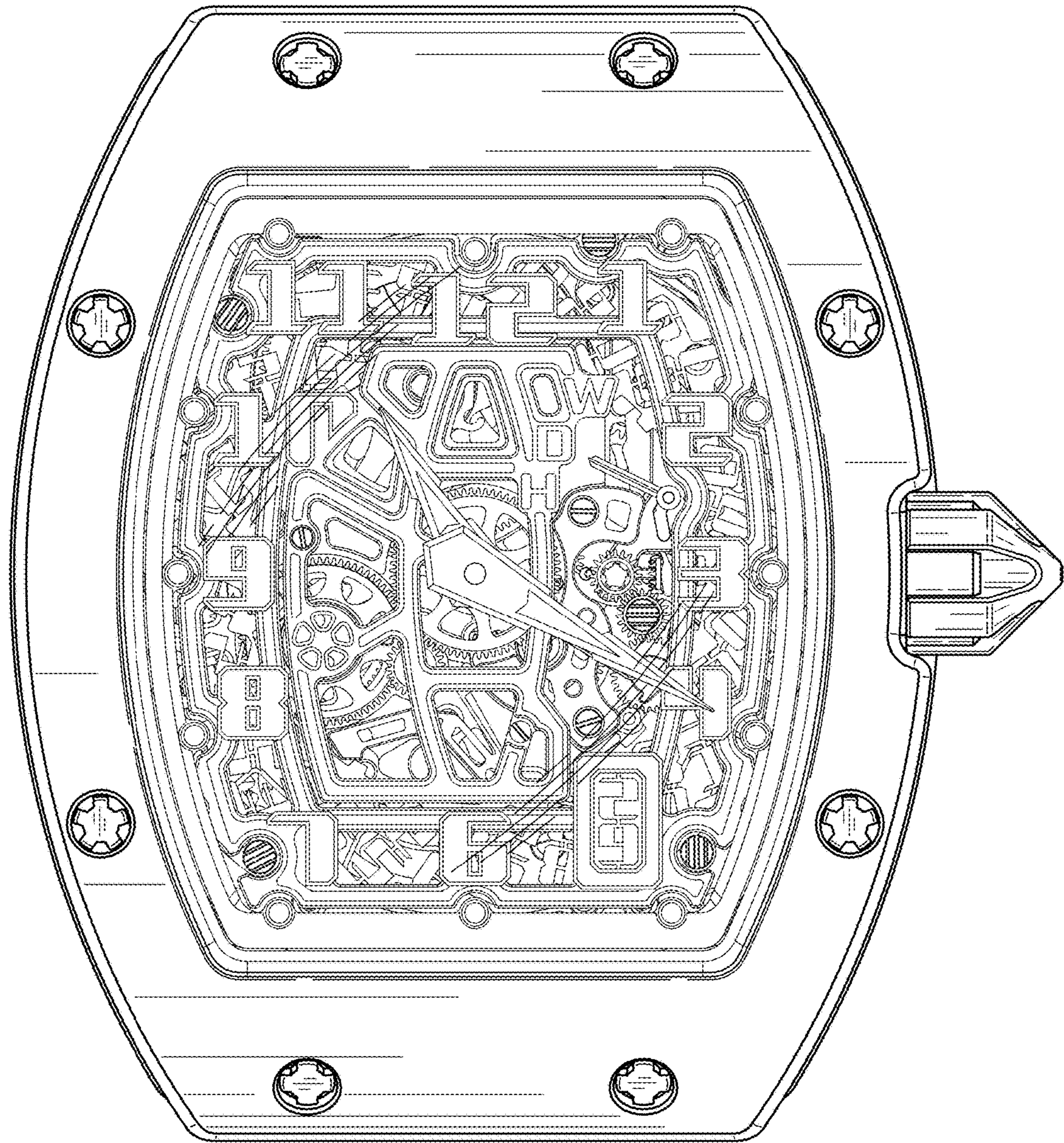


FIG. 3

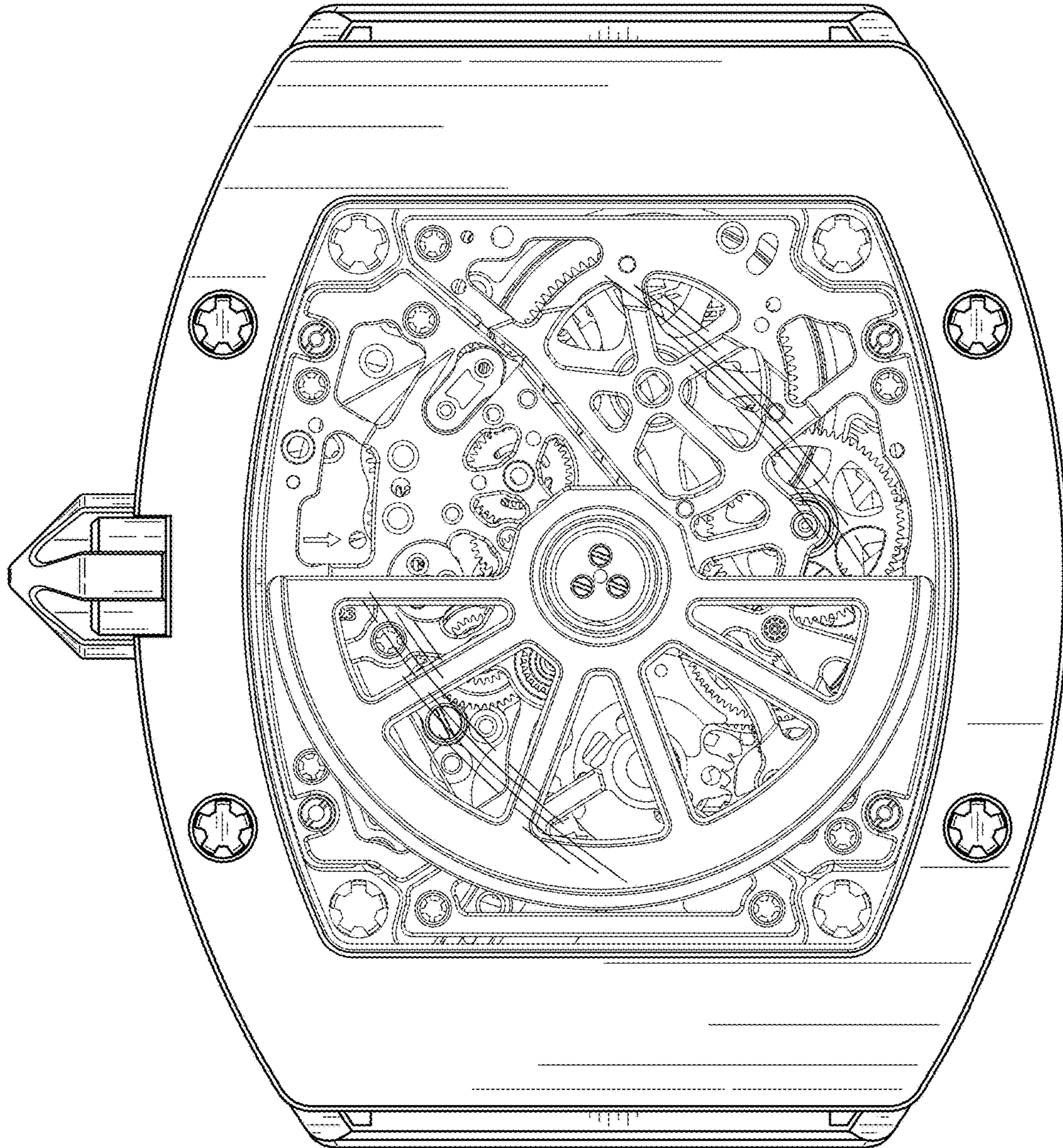


FIG. 4

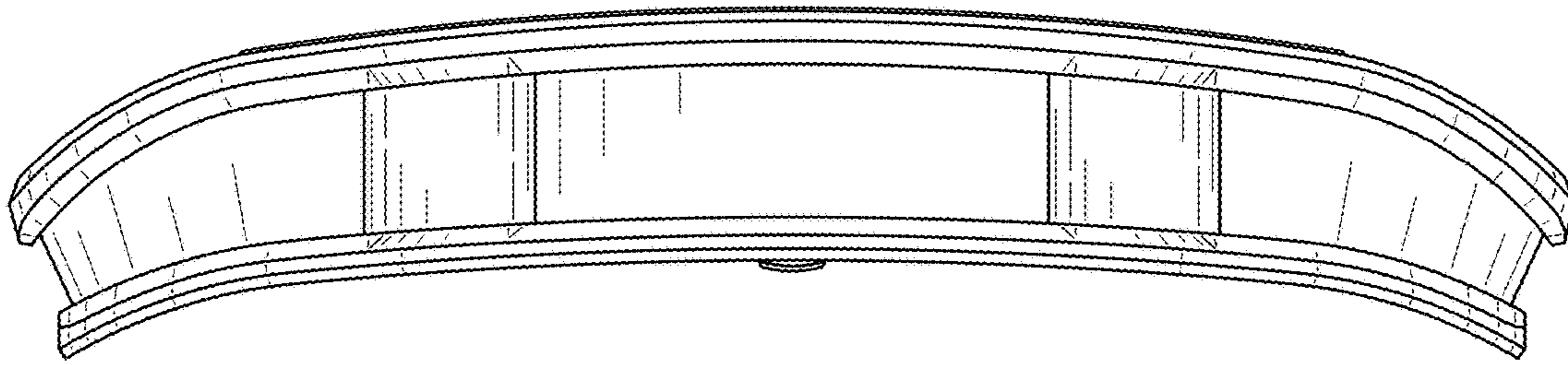


FIG. 5

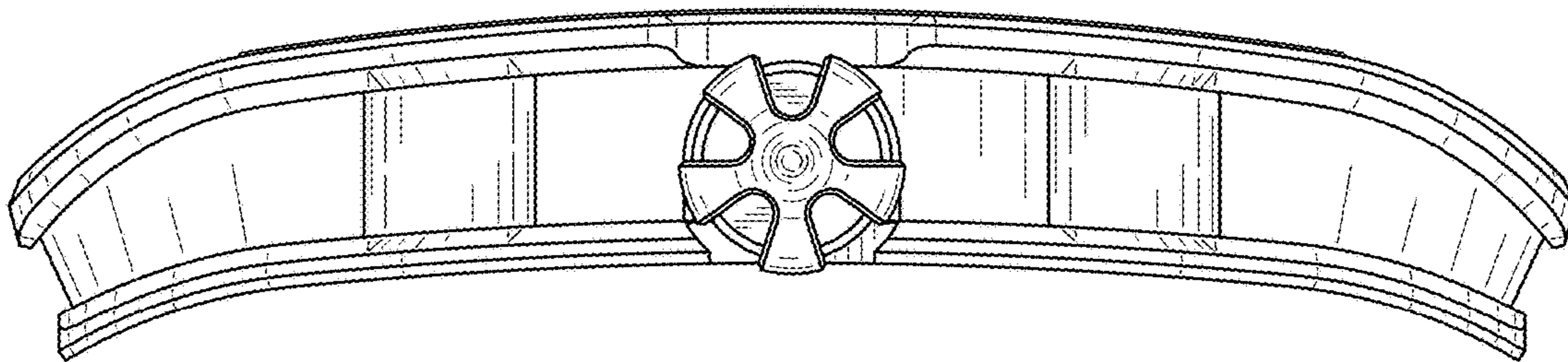


FIG. 6

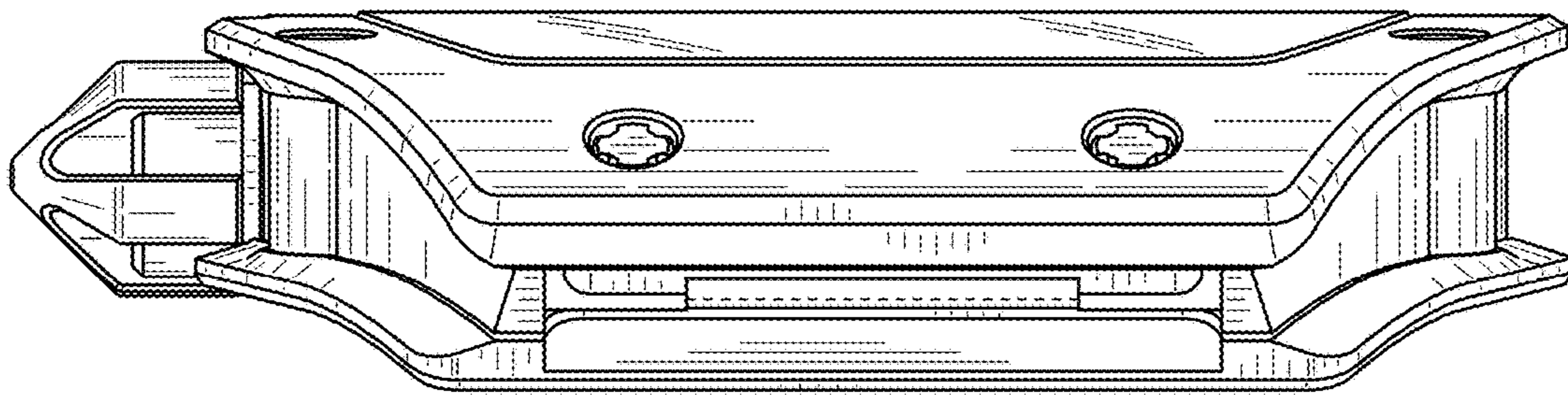


FIG. 7

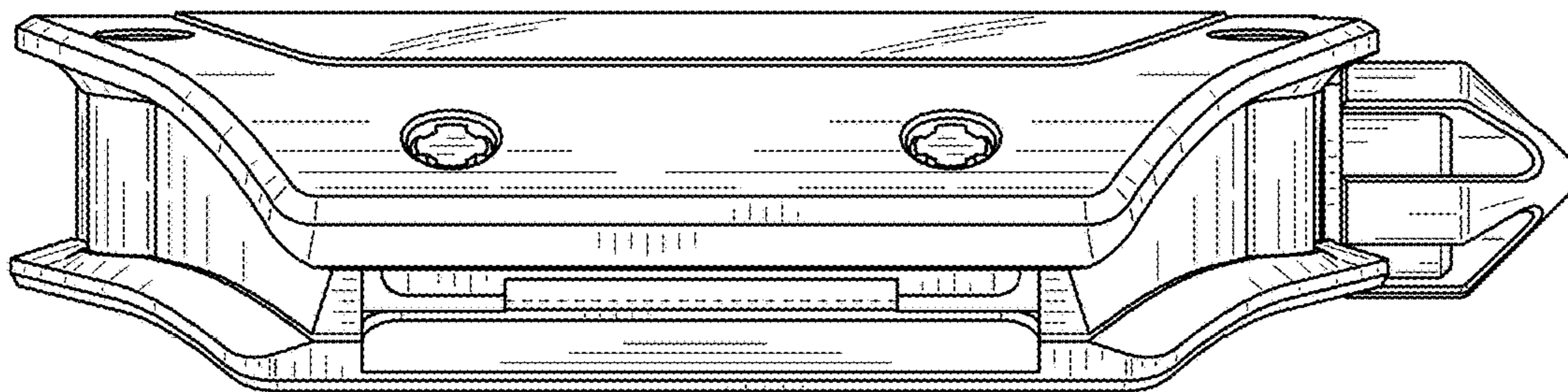


FIG. 8

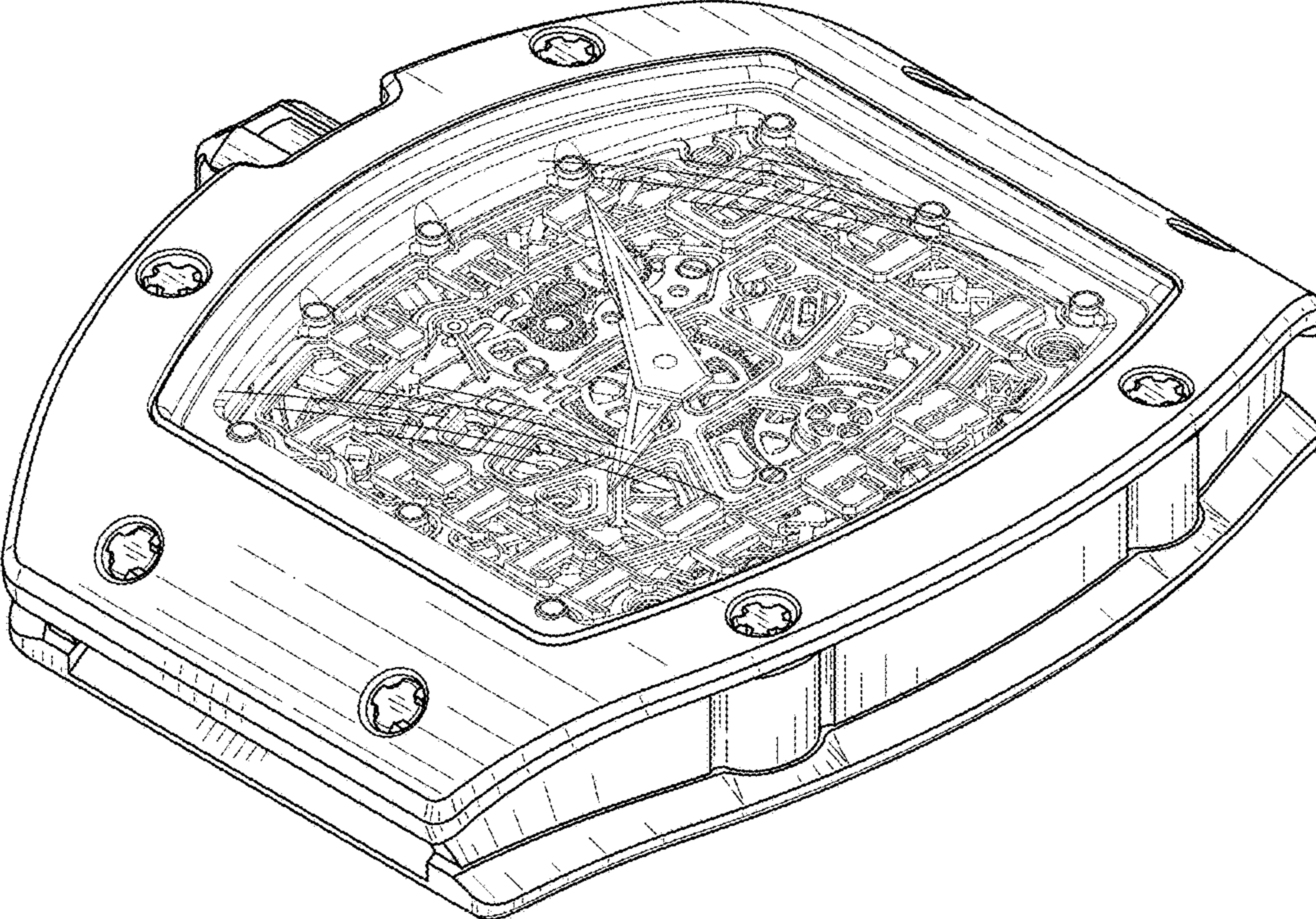


FIG. 9

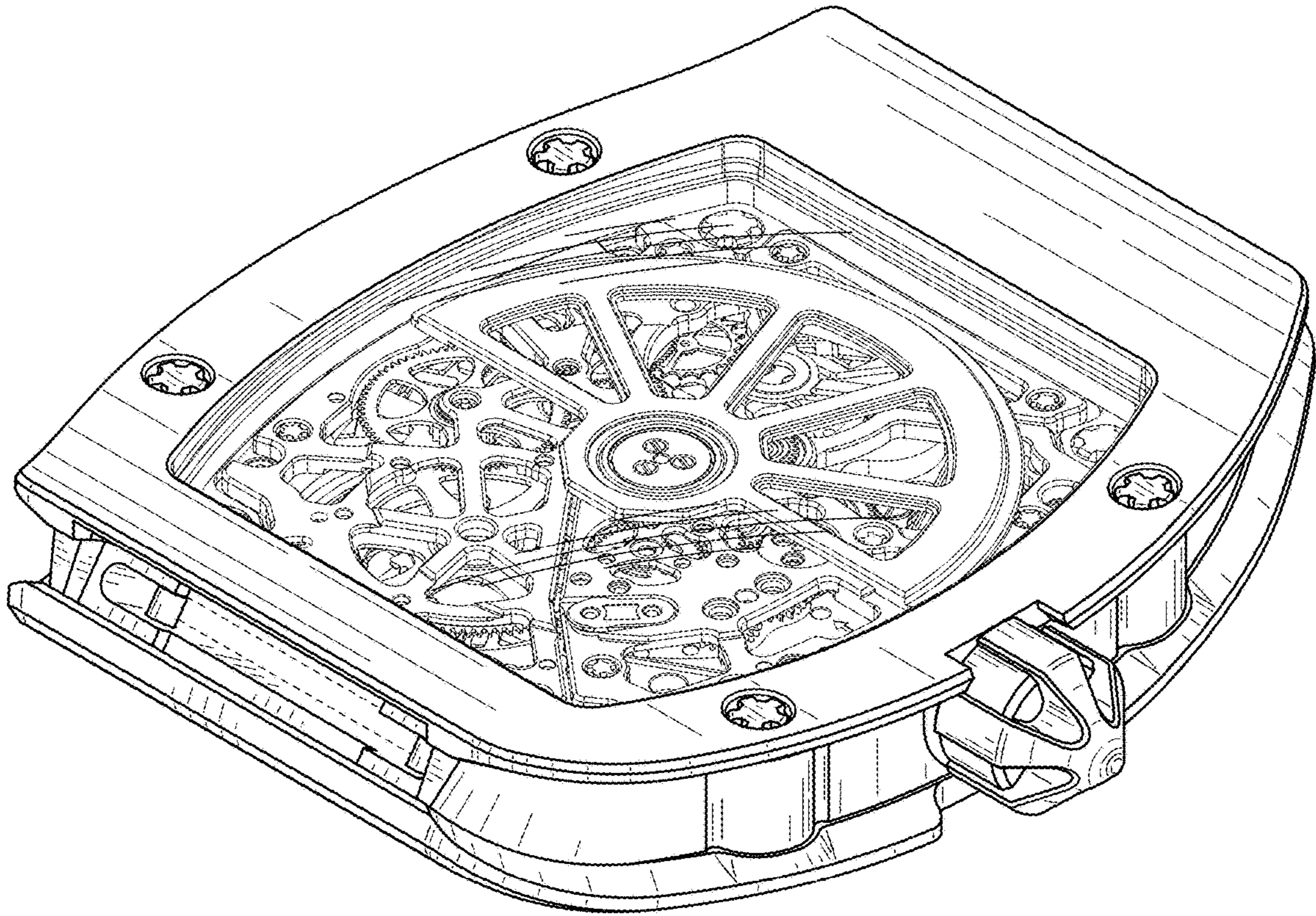


FIG. 10