



US00D798743S

(12) **United States Design Patent** (10) **Patent No.:** **US D798,743 S**  
**White et al.** (45) **Date of Patent:** **\*\* Oct. 3, 2017**

(54) **WATCH**  
(71) Applicant: **Nixon, Inc.**, Encinitas, CA (US)  
(72) Inventors: **Tyson White**, Encinitas, CA (US); **Joe Babcock**, Encinitas, CA (US); **Jenny Sehic**, Encinitas, CA (US)  
(73) Assignee: **NIXON, INC.**, Encinitas, CA (US)  
(\*\*) Term: **15 Years**

D436,044 S \* 1/2001 Subilia ..... D10/30  
D438,472 S \* 3/2001 Fichter ..... D10/126  
D519,388 S \* 4/2006 Calvani ..... D10/30  
D587,139 S \* 2/2009 Armani ..... D10/30  
D645,766 S \* 9/2011 Bertucci ..... D10/38  
D656,845 S \* 4/2012 Maier ..... D10/39  
D667,320 S \* 9/2012 Conwell ..... D10/39  
D684,485 S \* 6/2013 Padron ..... D10/39  
D757,079 S \* 5/2016 Chaudhri ..... D14/486  
D764,949 S \* 8/2016 Bonoli ..... D10/131  
D770,319 S \* 11/2016 Gueit ..... D10/126  
D789,805 S \* 6/2017 Koutsolioutsos ..... D10/38  
D791,632 S \* 7/2017 Lintz ..... D10/126

(21) Appl. No.: **29/545,284**  
(22) Filed: **Nov. 11, 2015**  
(51) **LOC (10) Cl.** ..... **10-02**  
(52) **U.S. Cl.**  
USPC ..... **D10/30**  
(58) **Field of Classification Search**  
USPC ..... D10/30-39, 65, 70, 78, 97, 98; D11/3;  
D14/344; D24/167-168, 186  
CPC ..... G04B 19/00-19/34; G04B 23/12; G04B  
37/00-37/228; G04B 47/00-47/068;  
G01C 17/00; G01C 21/00-21/3697;  
G01C 22/00-22/025; G06F 19/3481  
See application file for complete search history.

\* cited by examiner

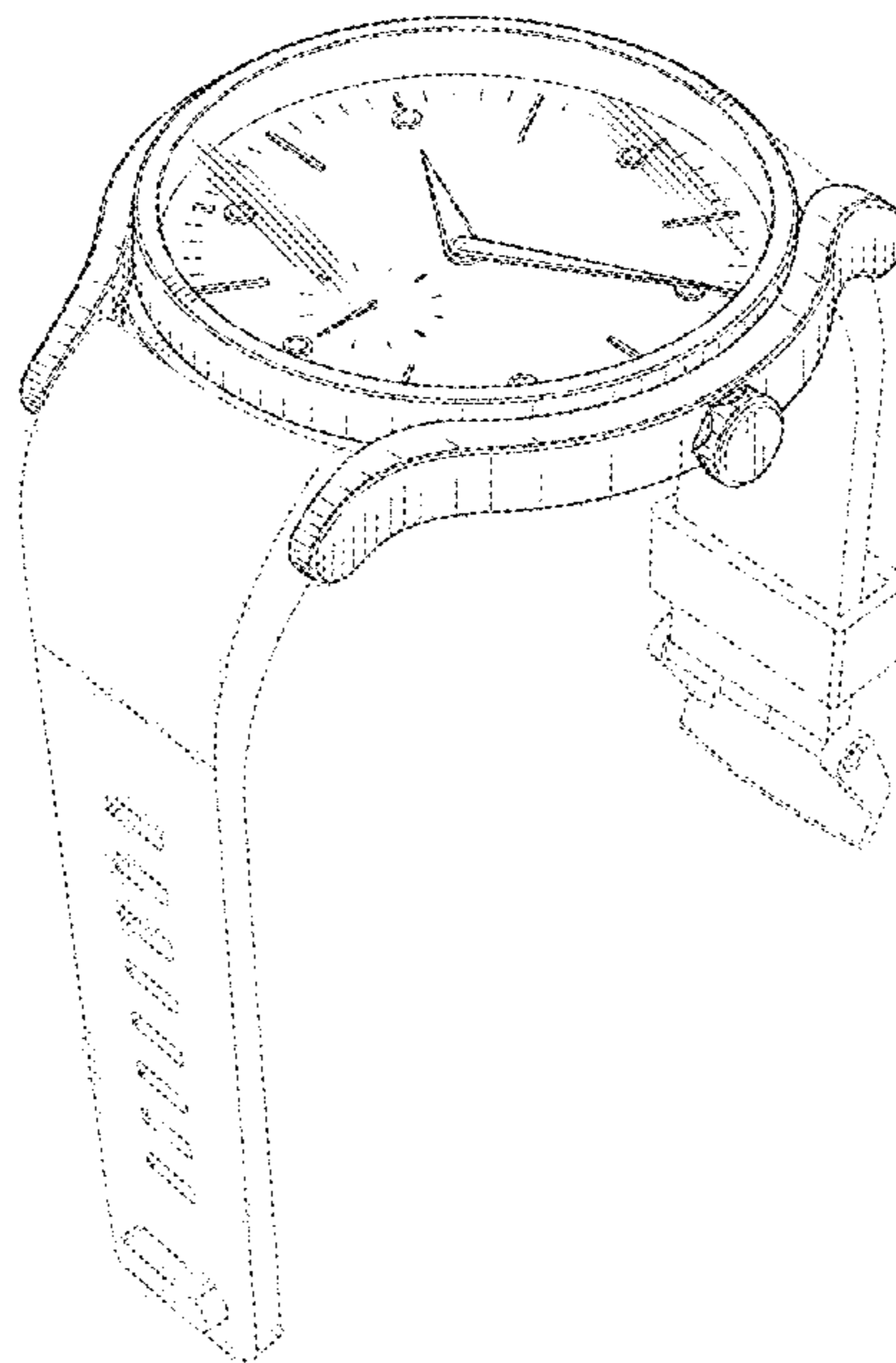
*Primary Examiner* — Sandra Snapp  
*Assistant Examiner* — Katherine Glennon  
(74) *Attorney, Agent, or Firm* — Torrey Pines Law  
Group, PC; Kevin Buckley

(56) **References Cited**  
U.S. PATENT DOCUMENTS  
D201,503 S \* 6/1965 Mayo ..... D10/126  
D242,694 S \* 12/1976 Thompson ..... D10/126  
D251,055 S \* 2/1979 Sulek ..... D10/38  
D321,835 S \* 11/1991 Hirabayashi ..... D10/39  
D326,419 S \* 5/1992 Bulgari ..... D10/39  
D367,240 S \* 2/1996 Svast ..... D10/126  
D378,201 S \* 2/1997 Svast ..... D10/126  
D378,739 S \* 4/1997 Strasser ..... D10/32

(57) **CLAIM**  
The ornamental design for a watch, as shown and described.

**DESCRIPTION**  
FIG. 1 is a front right perspective view of a watch showing our new design;  
FIG. 2 is a front elevation view thereof;  
FIG. 3 is a back elevation view thereof;  
FIG. 4 is a left side view thereof;  
FIG. 5 is a right side view thereof;  
FIG. 6 is a top view thereof; and,  
FIG. 7 is a bottom view thereof.  
The evenly-spaced broken lines showing the watch strap and clasp are for environmental purposes only and form no part of the claimed design.

**1 Claim, 6 Drawing Sheets**



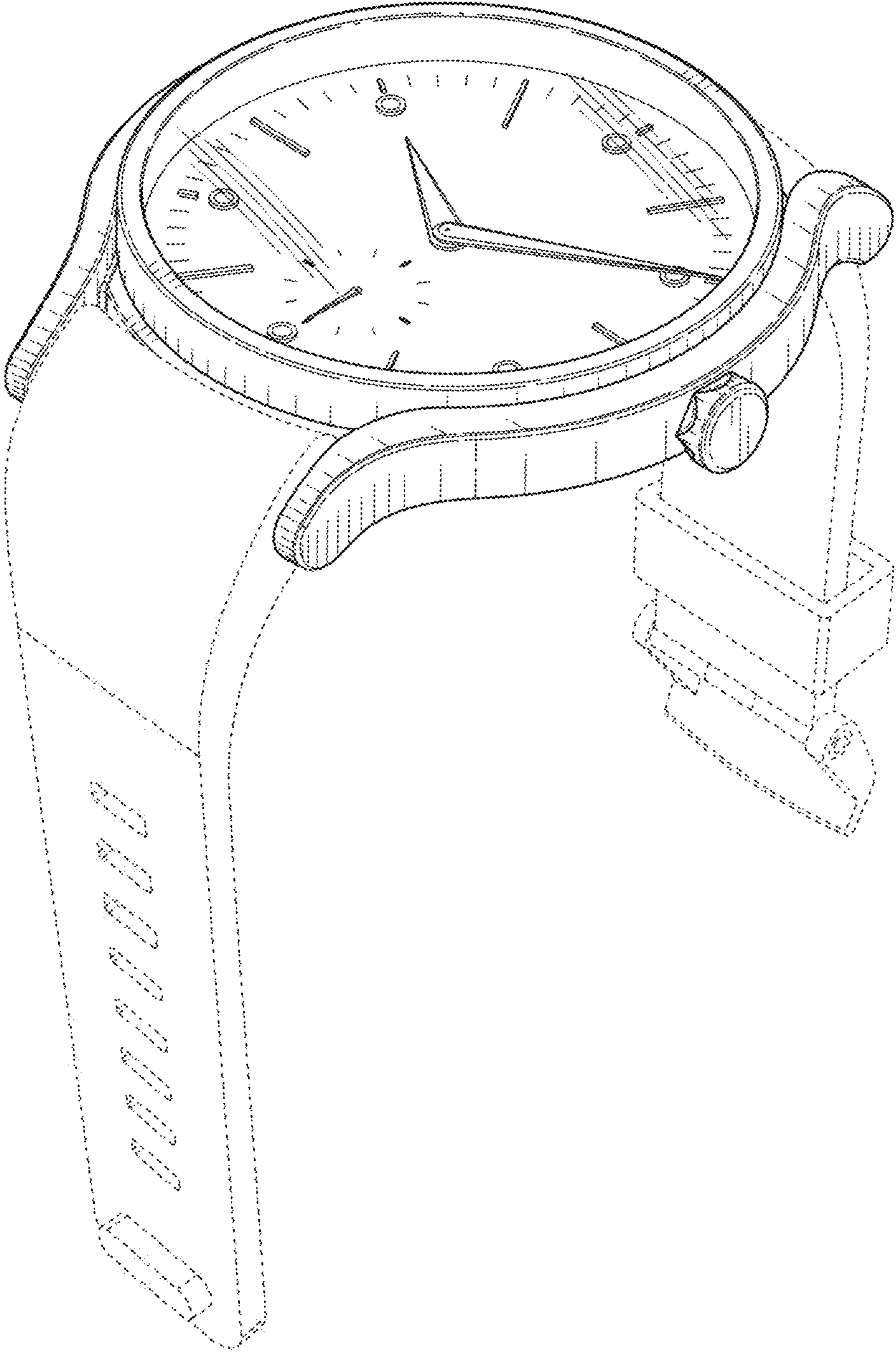


FIG. 1

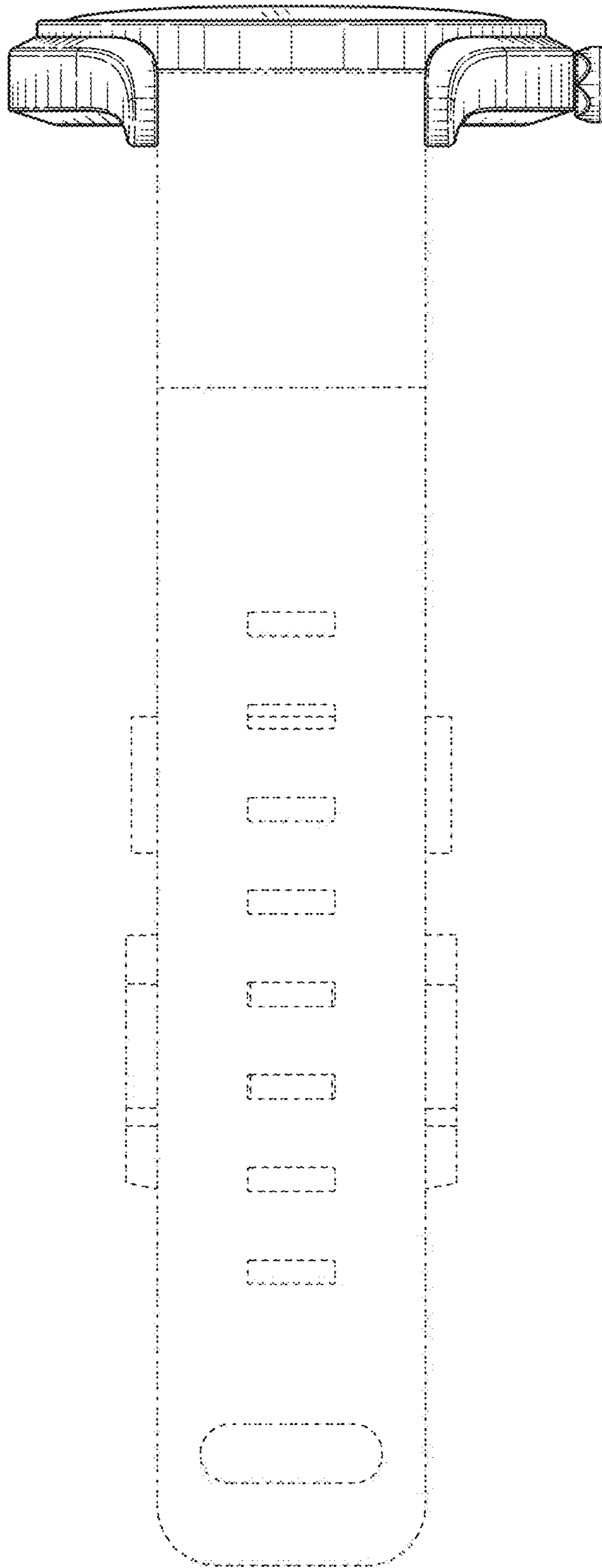


FIG. 2

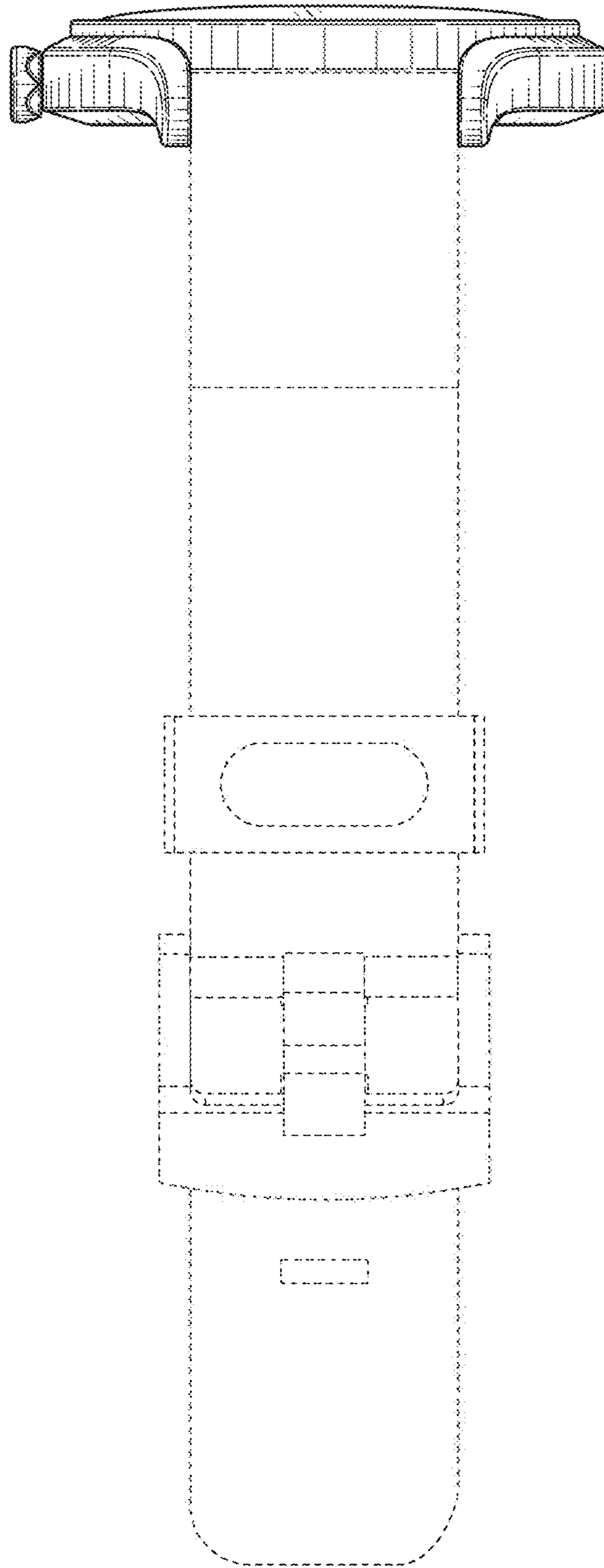


FIG. 3

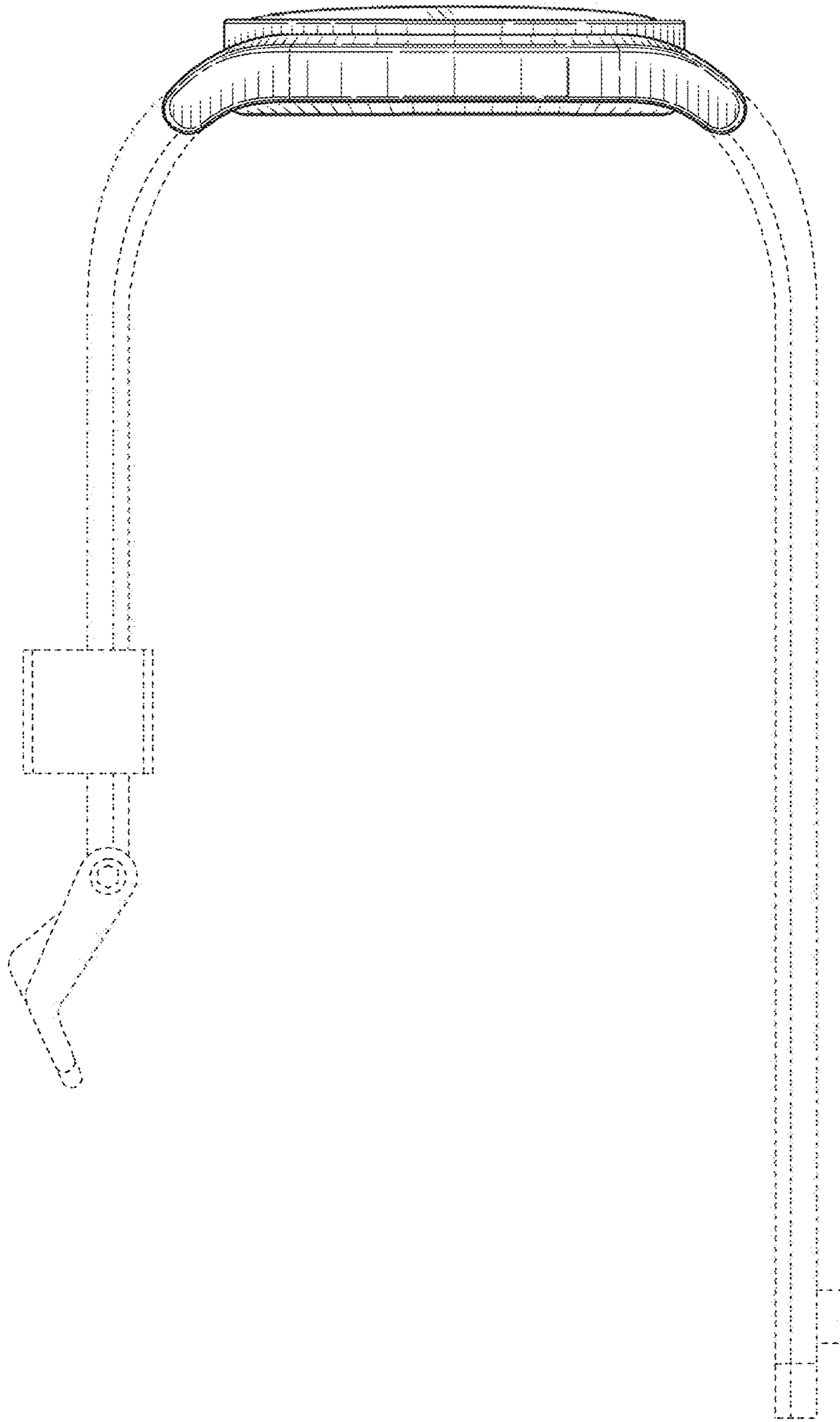


FIG. 4

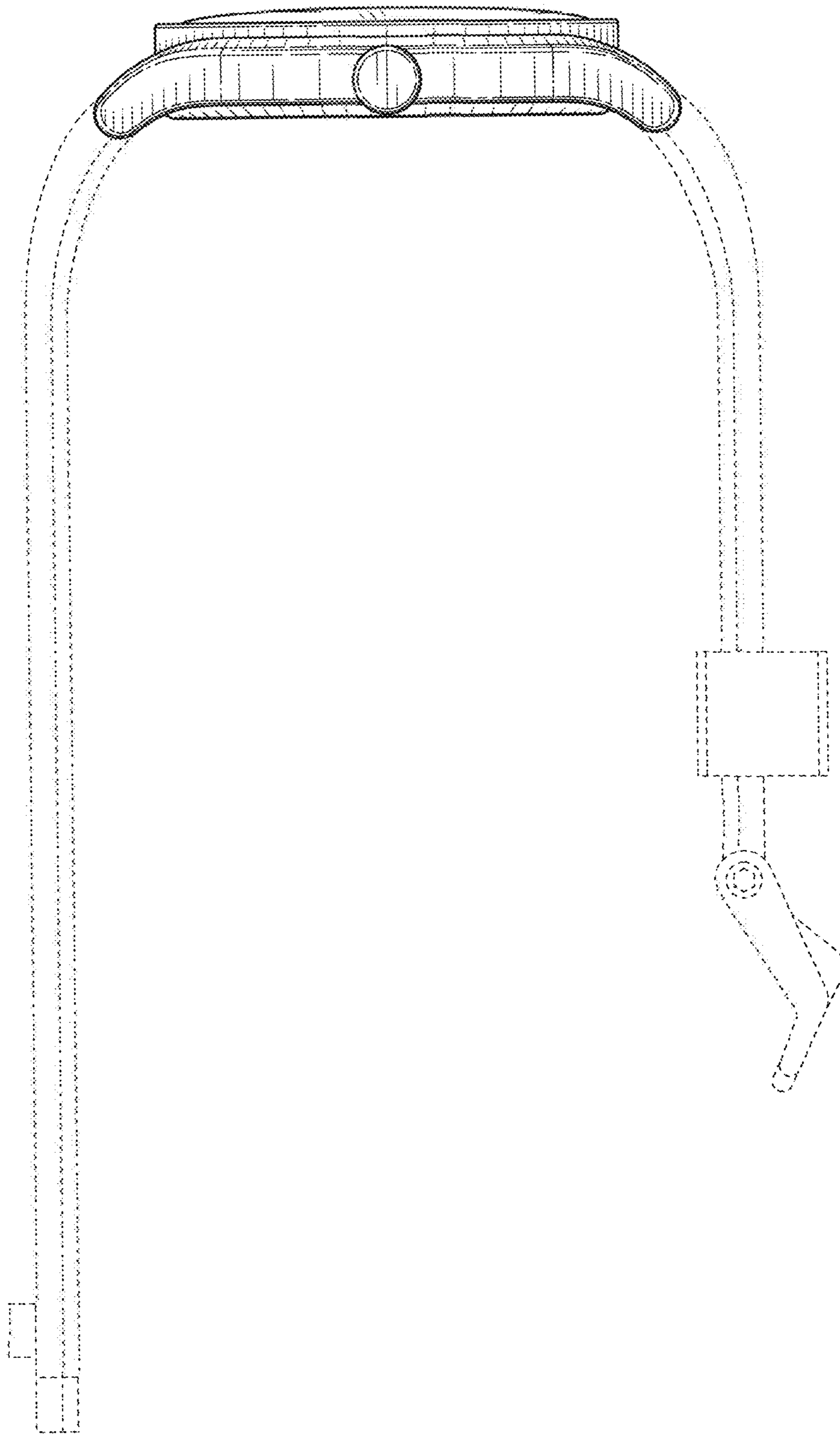


FIG. 5

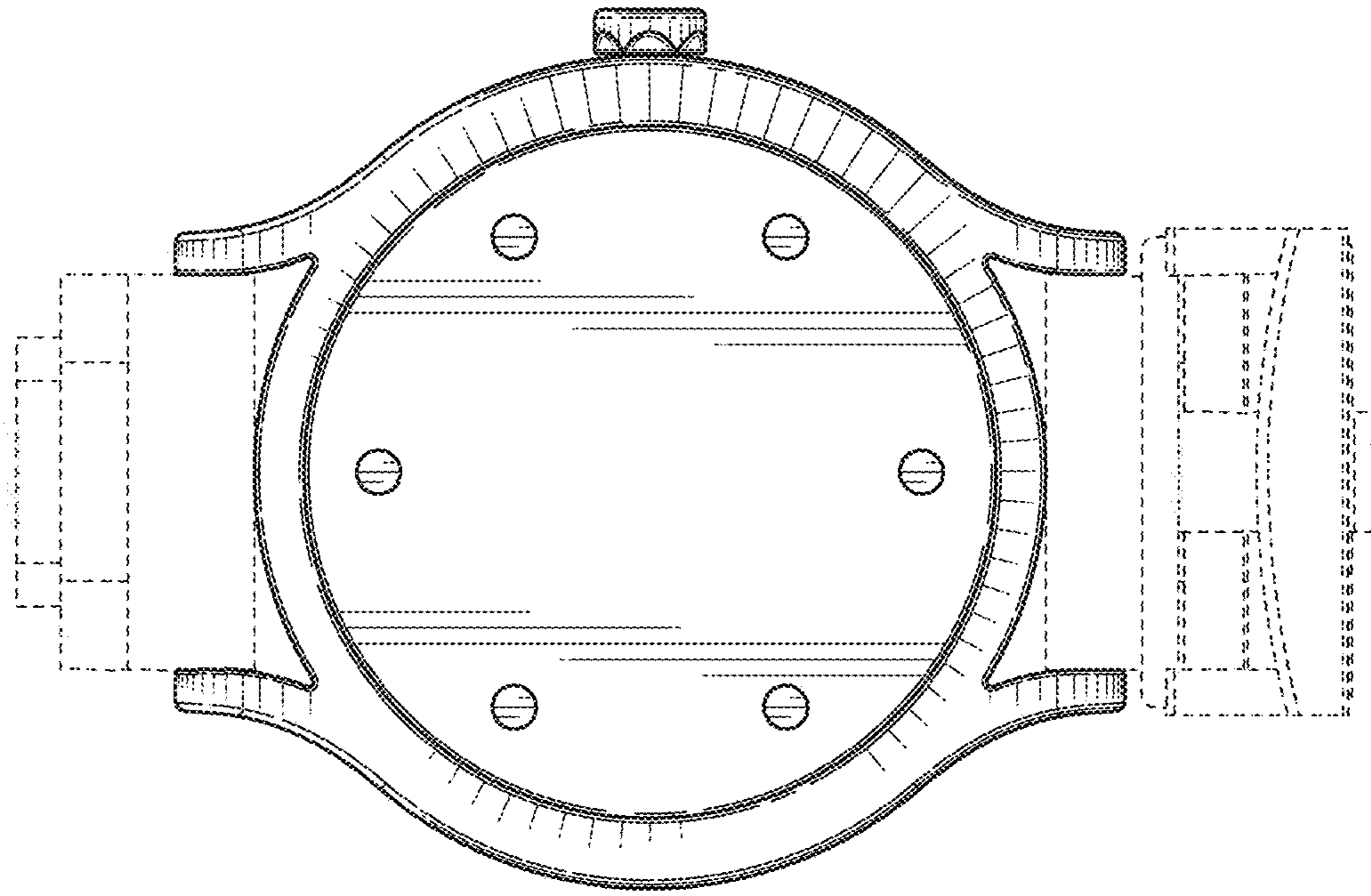


FIG. 7

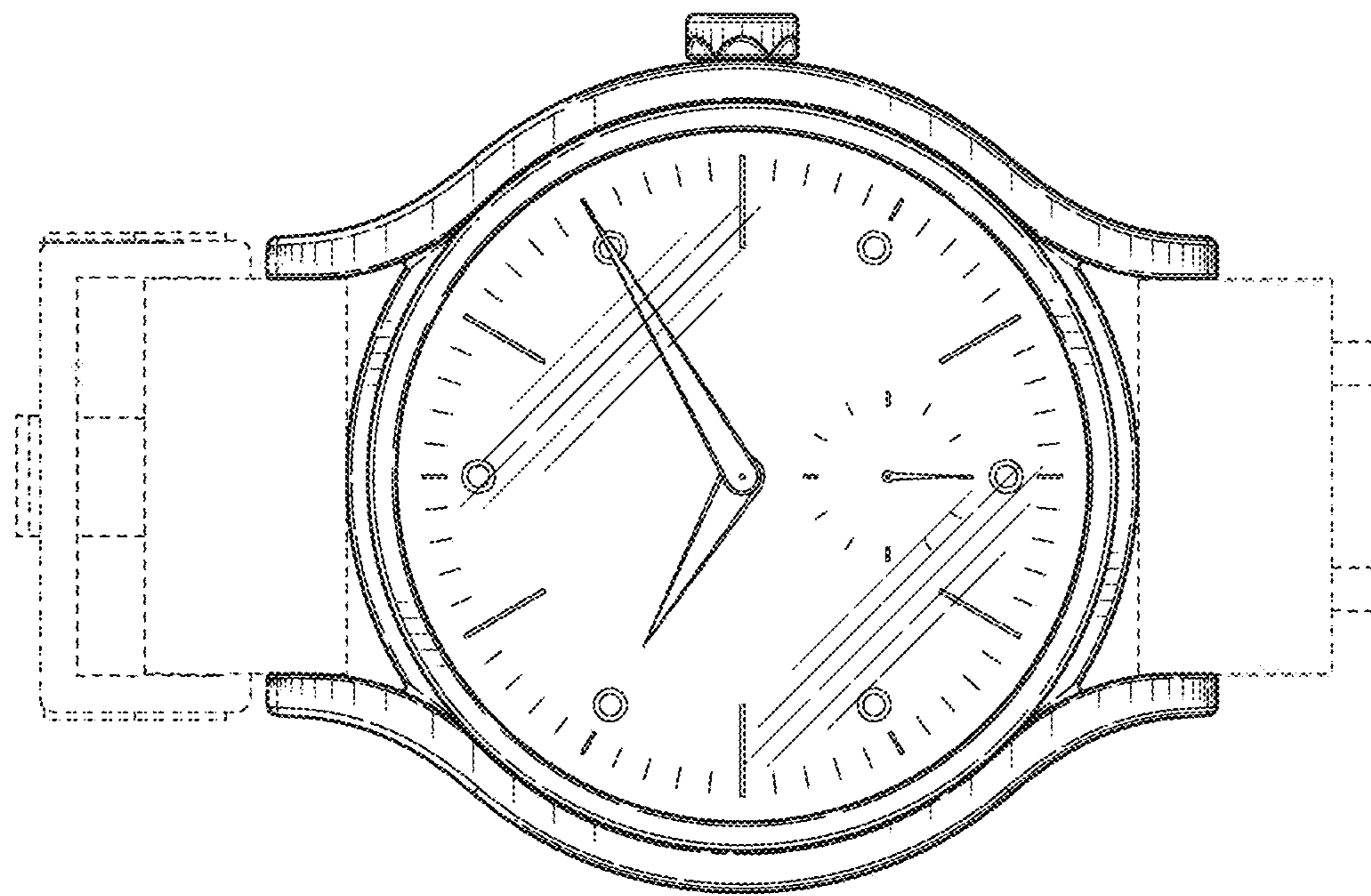


FIG. 6