



US00D798739S

(12) **United States Design Patent**
Reaux

(10) **Patent No.:** **US D798,739 S**

(45) **Date of Patent:** **** Oct. 3, 2017**

(54) **CANNABIS STORING CONTAINER WITH
INDIVIDUAL TEAR OFF LIDS**

77/20; B65D 77/2024; B65D 45/02; A24F
23/00; A24F 23/04; A21D 8/06
See application file for complete search history.

(71) Applicant: **Brian K. Reaux**, Red Oak, TX (US)

(56) **References Cited**

(72) Inventor: **Brian K. Reaux**, Red Oak, TX (US)

U.S. PATENT DOCUMENTS

(73) Assignee: **Brian K. Reaux**, Red Oak, TX (US)

2,438,671 A * 3/1948 Marana B65D 41/12
215/347
3,070,275 A * 12/1962 Bostrom B65D 51/28
220/500
3,367,665 A * 2/1968 Gorman G11B 3/00
206/232

(**) Term: **15 Years**

(Continued)

(21) Appl. No.: **29/505,915**

OTHER PUBLICATIONS

(22) Filed: **Apr. 7, 2016**

Greenskeeper Cannabis Container, available Dec. 19, 2015,
[online], [site visited Dec. 19, 2016]. Available from internet,
<URL: <https://www.indiegogo.com/projects/greenskeeper-cannabis-container--2#/updates>.*

(51) **LOC (10) Cl.** **09-03**

(52) **U.S. Cl.**

USPC **D9/756**; D9/741

(Continued)

(58) **Field of Classification Search**

Primary Examiner — Cathron Brooks
Assistant Examiner — Teddy Falloway

USPC D9/756, 715, 721, 730, 737, 738, 741,
D9/743, 763, 772, 559, 414, 416, 434,
D9/435, 452, 454, 499, 902; D7/501,
D7/550.1, 553.1, 553.6, 554.1, 554.2,
D7/555, 601, 612, 614, 615, 701, 703;
D3/201, 203.1–203.3; D24/227, 229,
D24/224; D27/172, 184; 229/120.02,
229/120.03, 200, 201, 245; 206/246, 264,
206/265; 220/240; 426/122

(57) **CLAIM**

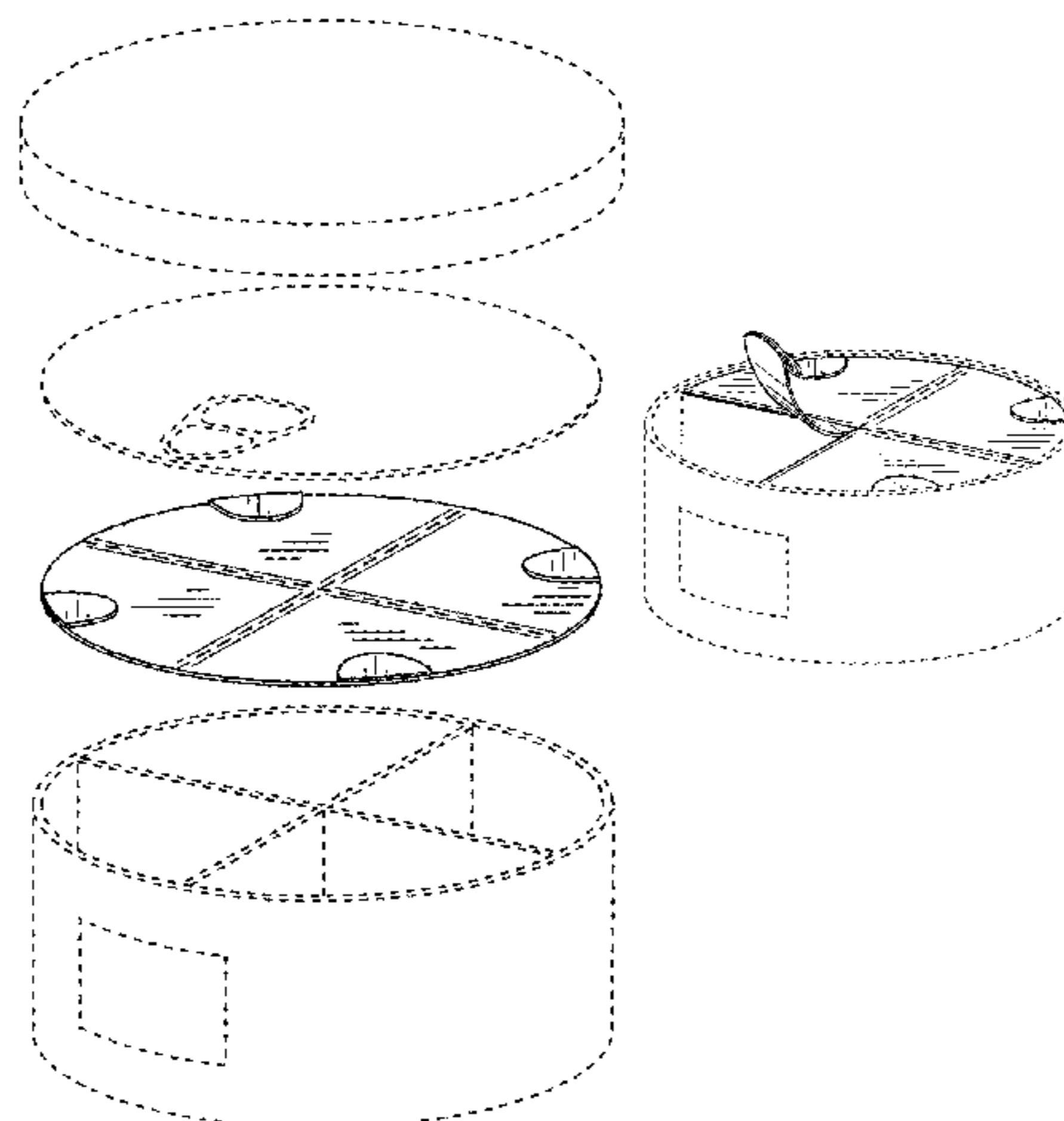
The ornamental design for a cannabis storing container with
individual tear off lids, as shown and described.

CPC B65D 2543/00092; B65D 51/20; B65D
53/04; B65D 81/3216; B65D 2251/0031;
B65D 2517/0013; B65D 2517/5029;
B65D 2517/5062; B65D 2517/5083;
B65D 2543/00425; B65D 43/02; B65D

DESCRIPTION

FIG. 1 is an exploded perspective view of a cannabis storing
container with individual tear-off lids, shown with environ-
ment.
FIG. 2 is a perspective view thereof; shown in an assembled
configuration.
FIG. 3 is a side view thereof; shown without environment.
Shown with the double layer line being of adhesive.
FIG. 4 is a top plan view thereof;
FIG. 5 is a bottom view thereof; shown with the stippling,
that represents an adhesive; and,
FIG. 6 is a perspective view thereof; shown with both
environment and a tear off lid in a position of use.

(Continued)



The short-dash short-dash broken lines in FIGS. 1, 2 and 6 illustrate portions of the cannabis storing container with individual tear off lids and form no part of the claimed design. The long-dash long-dash broken lines in FIGS. 1 and 4-6 illustrate score lines and form part of the claimed design.

1 Claim, 6 Drawing Sheets

(56)

References Cited

U.S. PATENT DOCUMENTS

3,391,852 A * 7/1968 Waldrop B65D 17/08
229/123.2
D214,391 S * 6/1969 Weiss 229/407
3,964,670 A * 6/1976 Amneus B65D 17/165
220/270
3,973,719 A * 8/1976 Johnson B65D 15/08
215/341
4,065,583 A * 12/1977 Ahlgren A21B 3/13
426/107
4,139,114 A * 2/1979 Long B65D 63/1009
206/436
D252,913 S * 9/1979 Barcliff D7/542
4,197,940 A * 4/1980 DeRossett A47G 19/26
220/780
D276,218 S * 11/1984 Baldwin D9/443
5,073,390 A * 12/1991 Knight, III A47J 37/047
426/107
5,160,067 A * 11/1992 Luber B65D 43/0218
220/698
5,341,948 A * 8/1994 Gaeta B65D 51/20
215/232
5,372,268 A * 12/1994 Han B32B 27/06
215/232
5,551,608 A * 9/1996 Moore B65D 47/06
215/232
D405,692 S * 2/1999 Johnson D9/443
5,915,601 A * 6/1999 Ullrich B65D 51/20
220/258.5
5,957,278 A * 9/1999 Krawec A24F 15/00
206/223
5,971,195 A * 10/1999 Reidinger B65D 51/28
215/227
D466,810 S * 12/2002 Ekkert D9/434
D473,791 S * 4/2003 Loris D9/438

6,704,276 B1 * 3/2004 Quiachon, Jr. G11B 33/0422
206/310
D503,107 S * 3/2005 Burr D9/434
D503,110 S * 3/2005 Burr D9/434
D516,908 S * 3/2006 Burr D9/434
D518,728 S * 4/2006 Frantz D9/454
D618,063 S * 6/2010 Davies D7/596
D629,702 S * 12/2010 Caldwell D9/416
D632,563 S * 2/2011 Sitabkhan D9/435
D637,903 S * 5/2011 Ghiotti D9/428
D642,463 S * 8/2011 Schedl D9/435
D645,742 S * 9/2011 Sharma D9/435
D678,547 S * 3/2013 Sekizawa D24/224
D727,149 S * 4/2015 Humm D9/449
D732,959 S * 6/2015 Branstad D9/454
9,259,847 B2 * 2/2016 White, III B26D 3/24
9,422,101 B2 * 8/2016 Wu B65D 83/04
D766,665 S * 9/2016 Shames D7/554.2
2005/0218143 A1 * 10/2005 Niederer B65D 77/206
220/359.2
2006/0243728 A1 * 11/2006 Roger B65D 17/165
220/23.9
2007/0131750 A1 * 6/2007 Drummond B31B 7/00
229/123.1
2008/0110896 A1 * 5/2008 Westphal B65D 51/20
220/359.2
2011/0290682 A1 * 12/2011 Gibson A24F 23/00
206/265
2011/0303566 A1 * 12/2011 Gibson A24F 23/00
206/246
2012/0000910 A1 * 1/2012 Ekkert B65D 53/04
220/378
2013/0299497 A1 * 11/2013 Rauer B65D 17/161
220/270
2015/0114923 A1 * 4/2015 Horz B65D 51/20
215/276
2015/0166231 A1 * 6/2015 Taylor B65D 51/32
220/212
2016/0207674 A1 * 7/2016 Brion B65D 51/20
2016/0251131 A1 * 9/2016 Edwards B65B 3/04
206/524.7

OTHER PUBLICATIONS

Stash Jar (via puresativa.com), available May 6, 2011, [online], [site visited Dec. 19, 2016]. Available from internet, <URL: <http://www.puresativa.com/product.php?product=enjoy-4-compartment-stash-jar>>.*

* cited by examiner

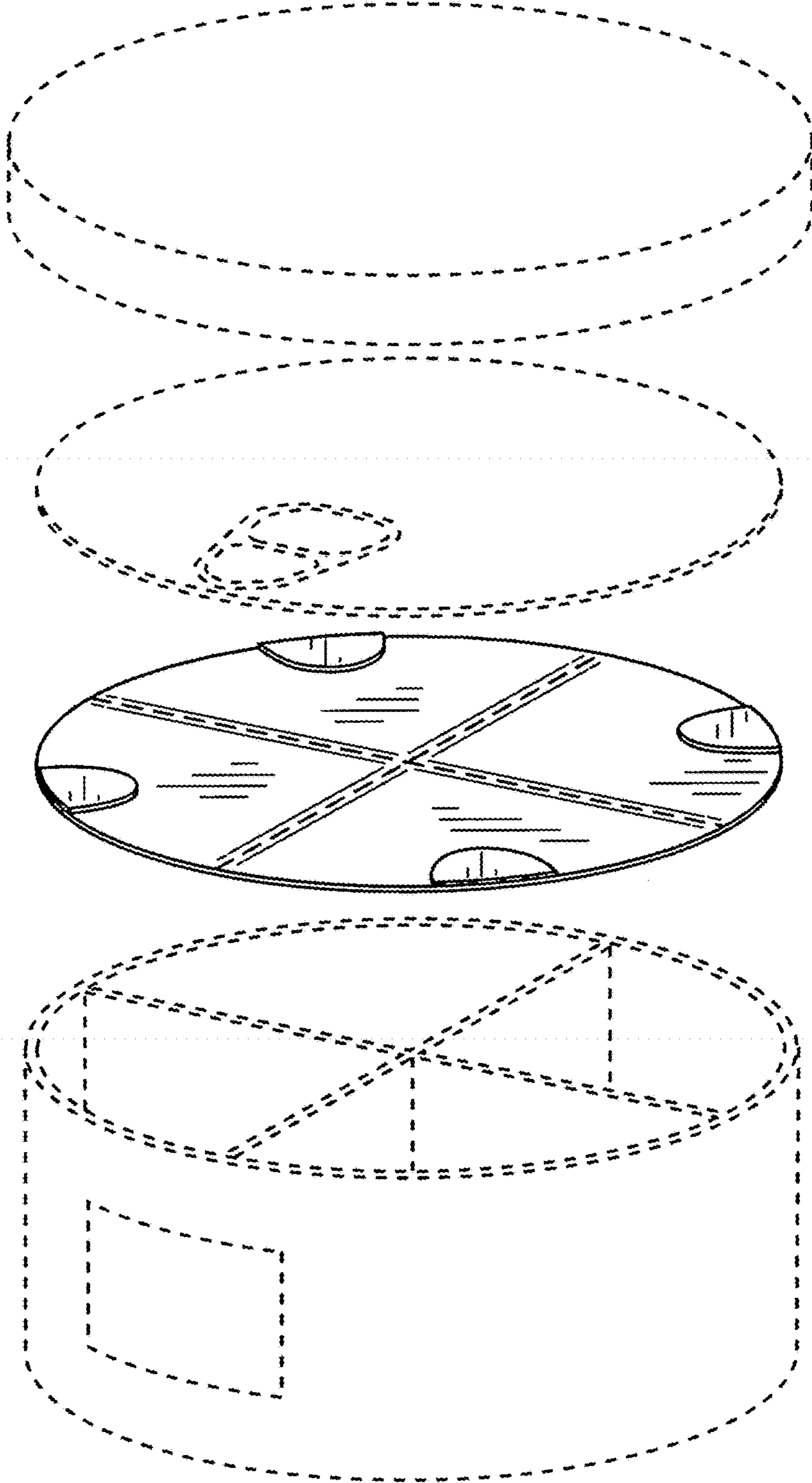


FIG. 1

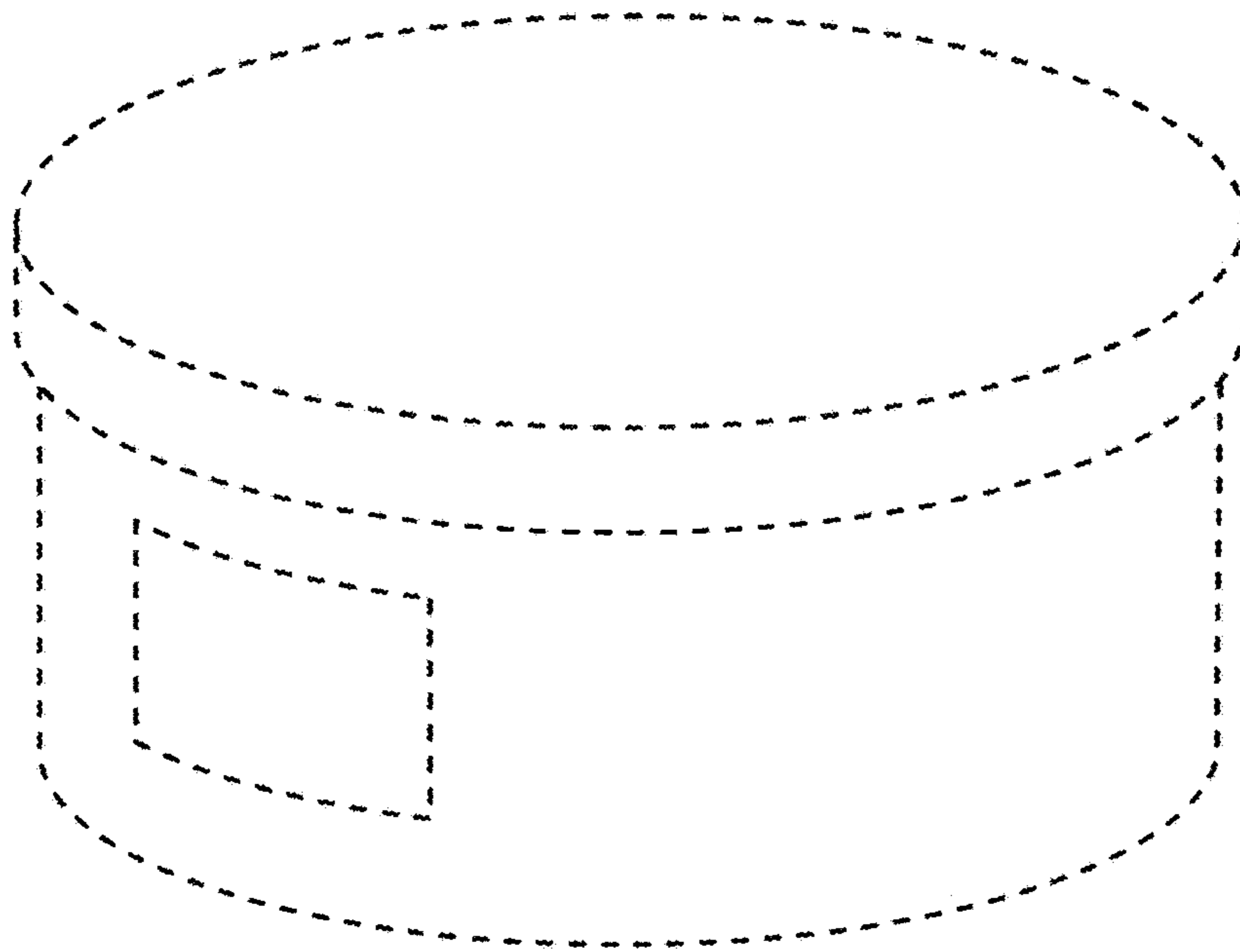


FIG. 2

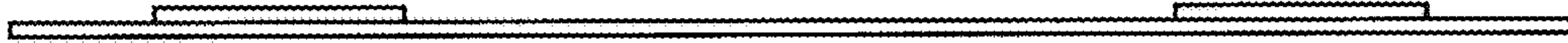


FIG. 3

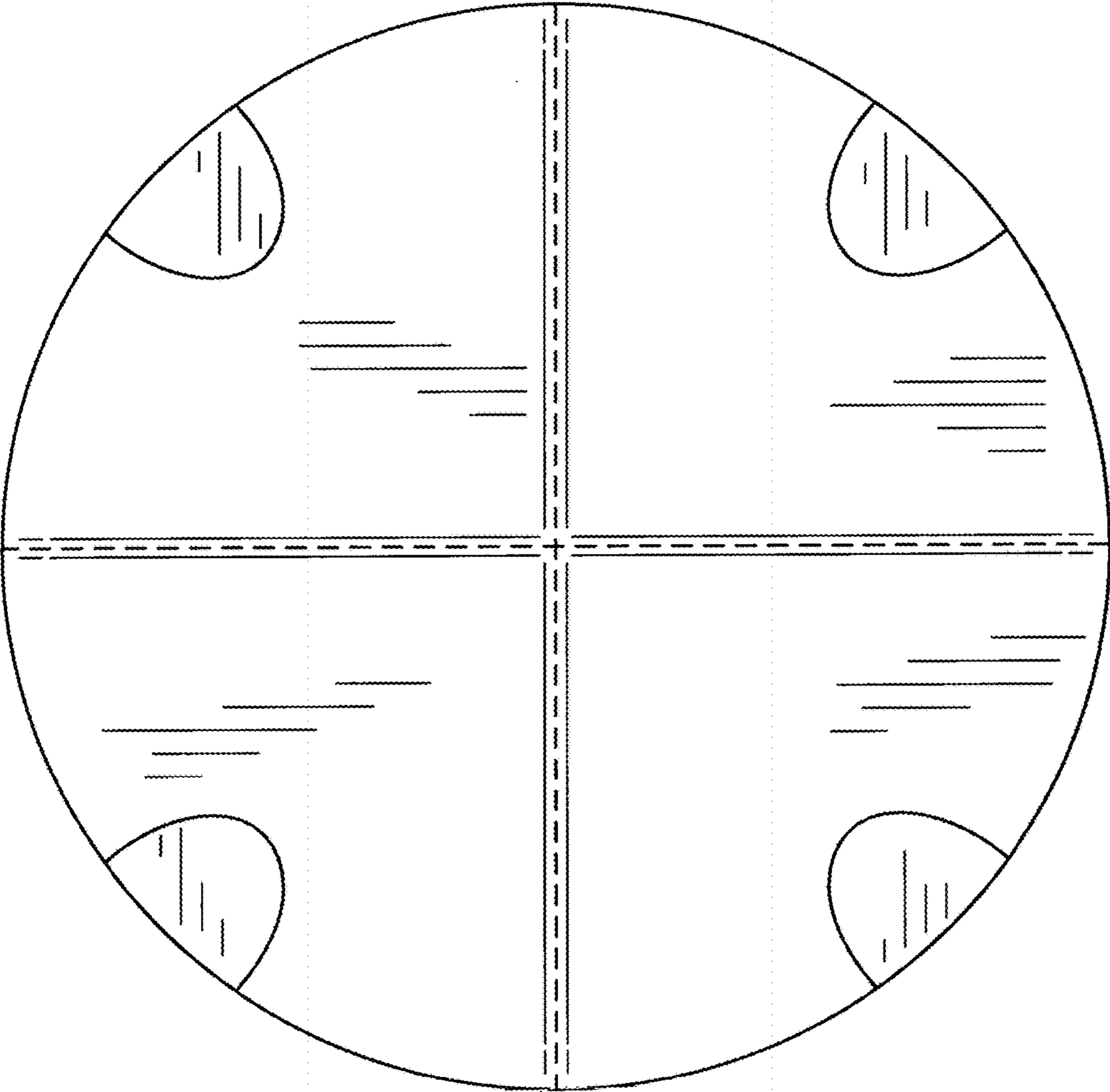


FIG. 4

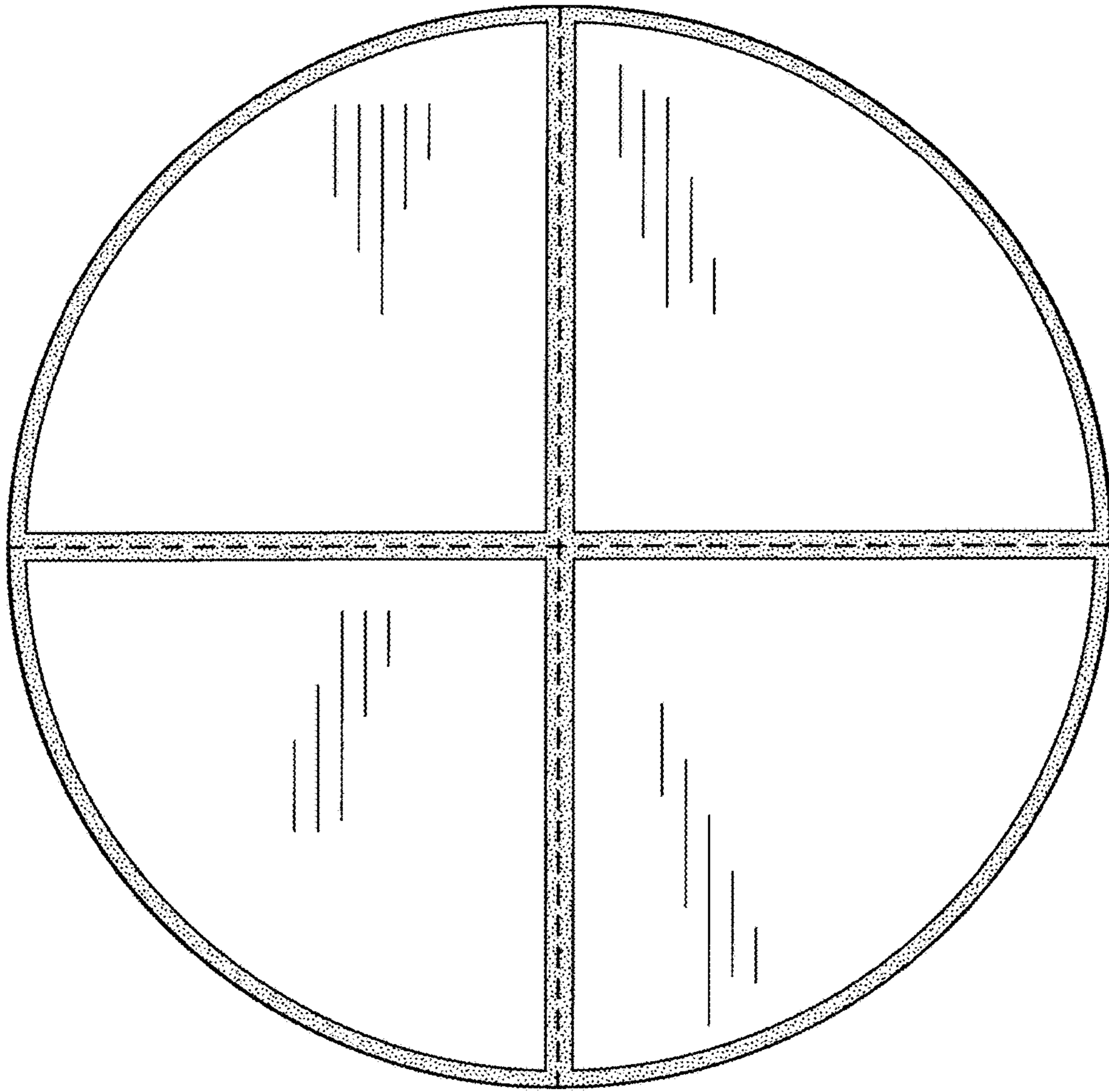


FIG. 5

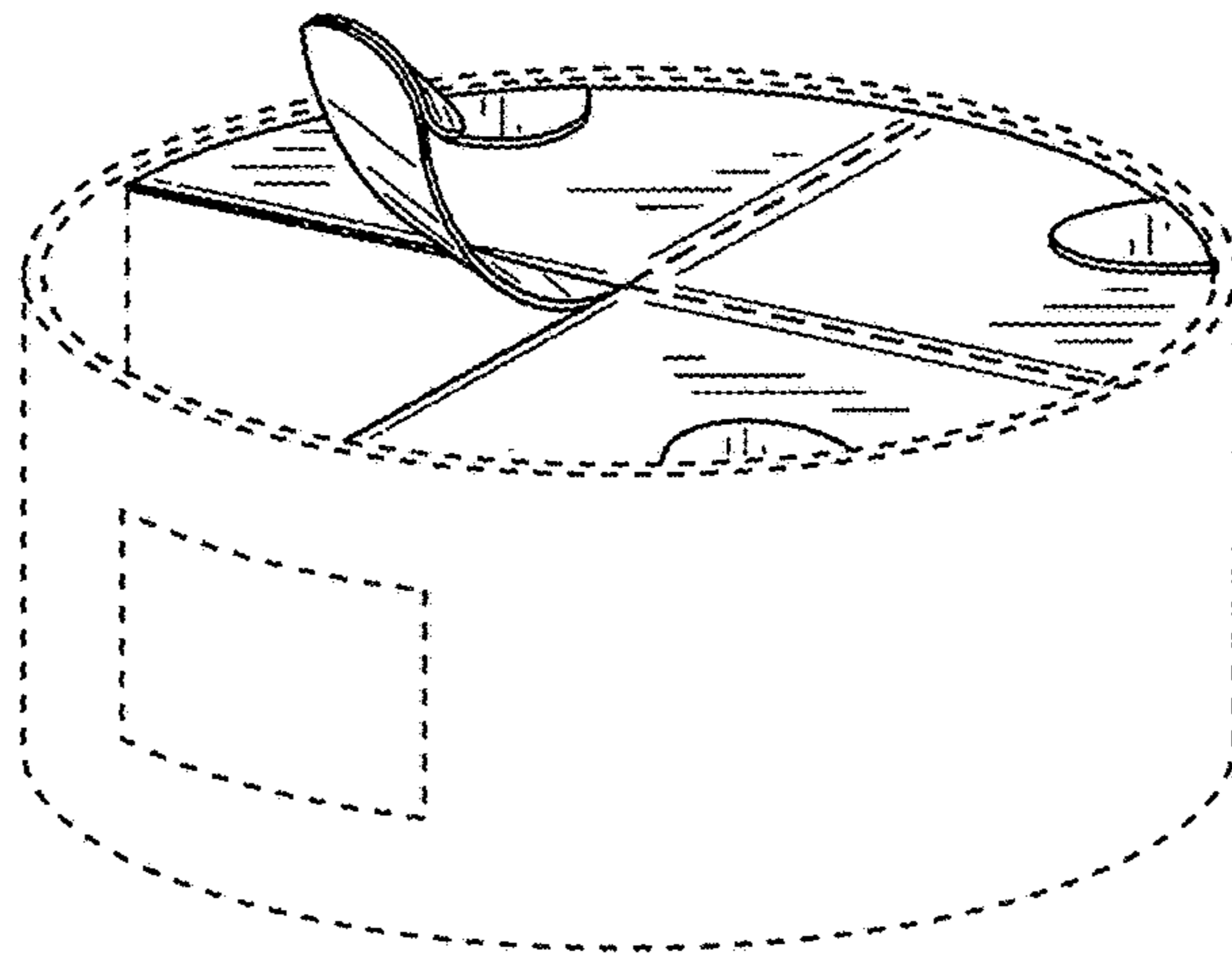


FIG. 6