



US00D798738S

(12) **United States Design Patent** (10) **Patent No.:** **US D798,738 S**
Tilahun et al. (45) **Date of Patent:** **** Oct. 3, 2017**

(54) **PACKAGE**

CPC B65D 1/36; B65D 71/70; B65D 85/78;
A23G 9/503

(71) Applicant: **Kraft Foods Group Brands LLC**,
Chicago, IL (US)

See application file for complete search history.

(72) Inventors: **Muluken Tilahun**, Waunakee, WI
(US); **Daniel Doucette**, DeForest, WI
(US); **Daniel R. Feldmeier**, Waunakee,
WI (US); **Paris Alexander Edwards**
Lowitz, San Francisco, CA (US); **Stacy**
Alycia Thomas Castro, Verona, WI
(US)

(56) **References Cited**

U.S. PATENT DOCUMENTS

(73) Assignee: **Kraft Foods Group Brands LLC**,
Chicago, IL (US)

(**) Term: **15 Years**

(21) Appl. No.: **29/581,612**

(22) Filed: **Oct. 20, 2016**

- 4,653,685 A * 3/1987 Leary B65D 1/36
220/4.21
- D293,767 S * 1/1988 Powers D7/553.3
- 4,930,627 A * 6/1990 Borst B65D 75/366
206/45.23
- 5,119,940 A * 6/1992 Grindrod B65D 75/54
206/561
- D335,821 S * 5/1993 Detert D9/761
- D337,048 S * 7/1993 Detert D9/761
- D337,268 S * 7/1993 Detert D9/761
- D381,264 S * 7/1997 Lippincott D9/425
- 5,695,798 A * 12/1997 Rozzano B65D 21/0233
206/518
- 5,743,402 A * 4/1998 Gics B65D 77/0433
206/459.5
- D395,392 S * 6/1998 Lahm D9/425
- D408,280 S * 4/1999 Manley D9/415
- D416,483 S * 11/1999 Manley D9/415
- D420,283 S * 2/2000 Reichel D9/759
- 6,261,616 B1 * 7/2001 Simpson B65D 1/34
206/541
- D463,977 S * 10/2002 Castellanos D9/425

(Continued)

Related U.S. Application Data

(62) Division of application No. 29/501,206, filed on Sep.
2, 2014, now Pat. No. Des. 780,599, which is a
division of application No. 29/440,709, filed on Dec.
26, 2012, now Pat. No. Des. 714,660.

Primary Examiner — Mark Goodwin

(74) *Attorney, Agent, or Firm* — Fitch, Even, Tabin &
Flannery LLP

(51) **LOC (10) Cl.** **09-03**

(52) **U.S. Cl.**

USPC **D9/737**

(58) **Field of Classification Search**

USPC D9/737, 761, 414, 415, 424, 425,
D9/430-432, 427; 426/108, 110, 119,
426/122; 229/164.1; 206/45.24, 45.23,
206/461, 545; 220/631

(57) **CLAIM**

The ornamental design for a package, as shown and
described.

DESCRIPTION

FIG. 1 is a perspective view of a package showing our new
design;
FIG. 2 is a top plan view thereof, the bottom plan view being
identical;
FIG. 3 is a front elevation view thereof; and,

(Continued)

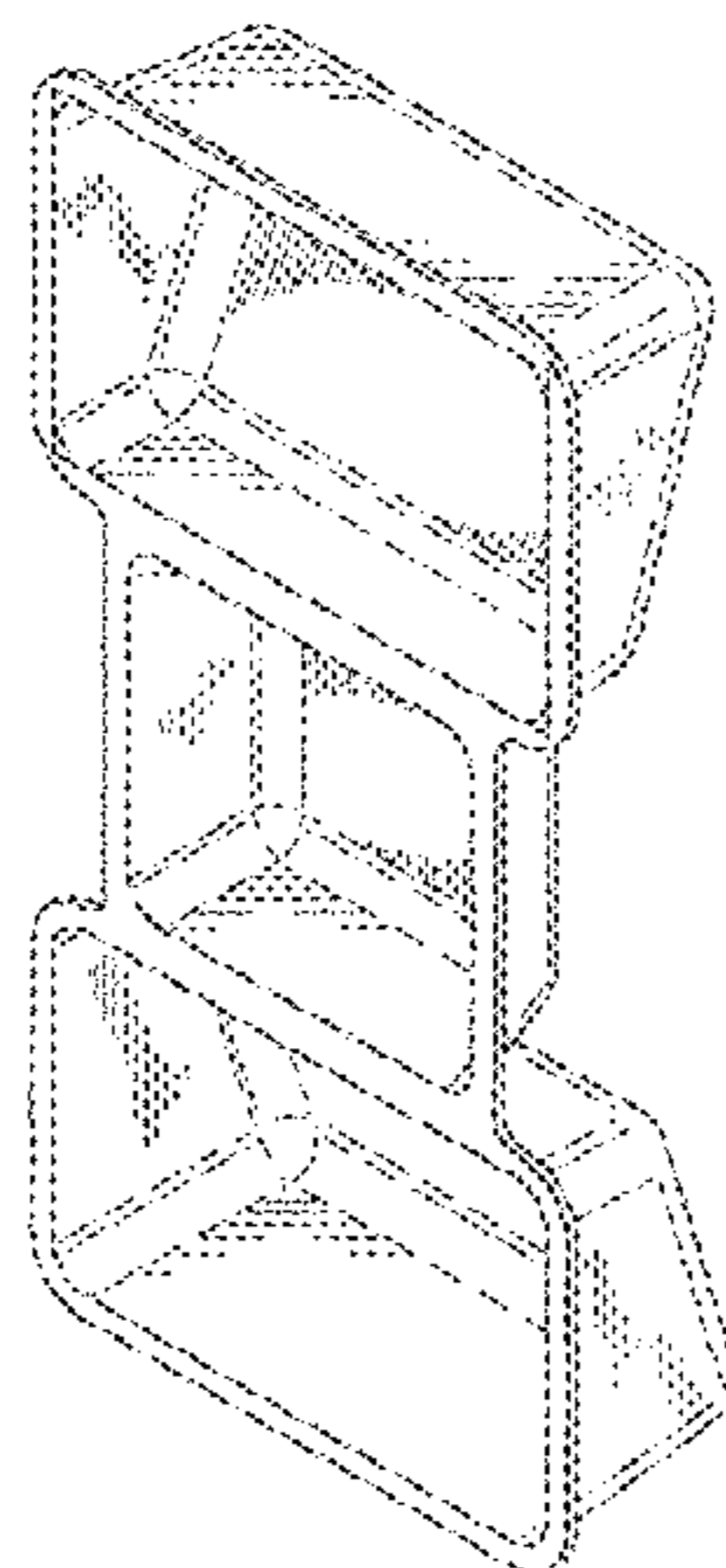


FIG. 4 is a right side elevation view thereof, the left side elevation view being a mirror image.

1 Claim, 1 Drawing Sheet

(56) **References Cited**

U.S. PATENT DOCUMENTS

D474,687 S *	5/2003	Jones	D9/761
D492,593 S *	7/2004	Dutton	D9/760
D515,880 S *	2/2006	Lerner	D7/629
D531,054 S *	10/2006	Sagel	D9/424
D562,127 S *	2/2008	Croft	D9/415
D579,769 S *	11/2008	Lipinski	D9/759
D627,217 S *	11/2010	Marcinkowski	D9/415
D642,484 S *	8/2011	Birchmeier	D9/425
D642,937 S *	8/2011	Birchmeier	D9/425

* cited by examiner

