



US00D798737S

(12) **United States Design Patent** (10) **Patent No.:** **US D798,737 S**
Miller et al. (45) **Date of Patent:** **** Oct. 3, 2017**

(54) **PACKAGING SLEEVE**

(71) Applicants: **TEKNOR APEX COMPANY**,
Pawtucket, RI (US);
INTERNATIONAL PAPER
COMPANY, Memphis, TN (US)

(72) Inventors: **Elizabeth Miller**, Denmark, TN (US);
David Matthew Beckwold, Medford,
NJ (US)

(73) Assignees: **International Paper Company**,
Memphis, TN (US); **Teknor Apex**
Company, Pawtucket, RI (US)

(**) Term: **15 Years**

(21) Appl. No.: **29/581,144**

(22) Filed: **Oct. 17, 2016**

(51) **LOC (10) Cl.** **09-03**

(52) **U.S. Cl.**
USPC **D9/711**

(58) **Field of Classification Search**
USPC D9/702-714, 414, 430-433, 715, 425,
D9/721, 760-761, 415, 456, 416;
206/784, 457, 822, 223, 557, 561, 299,
206/770, 565; 229/125.05, 902, 938,
229/87.05, 87.01, 87.19, 116.5, 122, 201,
229/939, 942, 100, 101, 101.2, 103.2;
215/400; D7/354, 553.2, 555, 629, 701,
D7/602; 220/890, 376, 377, 556, 380,
220/657, 659
CPC B65D 5/00; B65D 5/001; B65D 5/0015;
B65D 5/0227; B65D 5/18; B65D 5/6605;
B65D 5/48024; B65D 5/06; B65D 75/00;
B65D 75/02; B65D 2571/0066
See application file for complete search history.

(56) **References Cited**

U.S. PATENT DOCUMENTS

D374,174 S 10/1996 McClellan
D450,578 S * 11/2001 Tomaselli D9/711

D464,875 S 10/2002 Koppang
D595,150 S 6/2009 Cain
D610,919 S 3/2010 James
D639,186 S 6/2011 Shapiro et al.
(Continued)

OTHER PUBLICATIONS

Author unknown, Simply Melt Product Sleeve, webpage, retrieved
Aug. 16, 2016, one page, publisher unknown, <http://www.modpac.com/images/portfolio/full/Food-Sleeves/SimplyMelts.png>.

(Continued)

Primary Examiner — Abraham Bahta

(74) *Attorney, Agent, or Firm* — Hudak, Shunk & Farine
Co., LPA

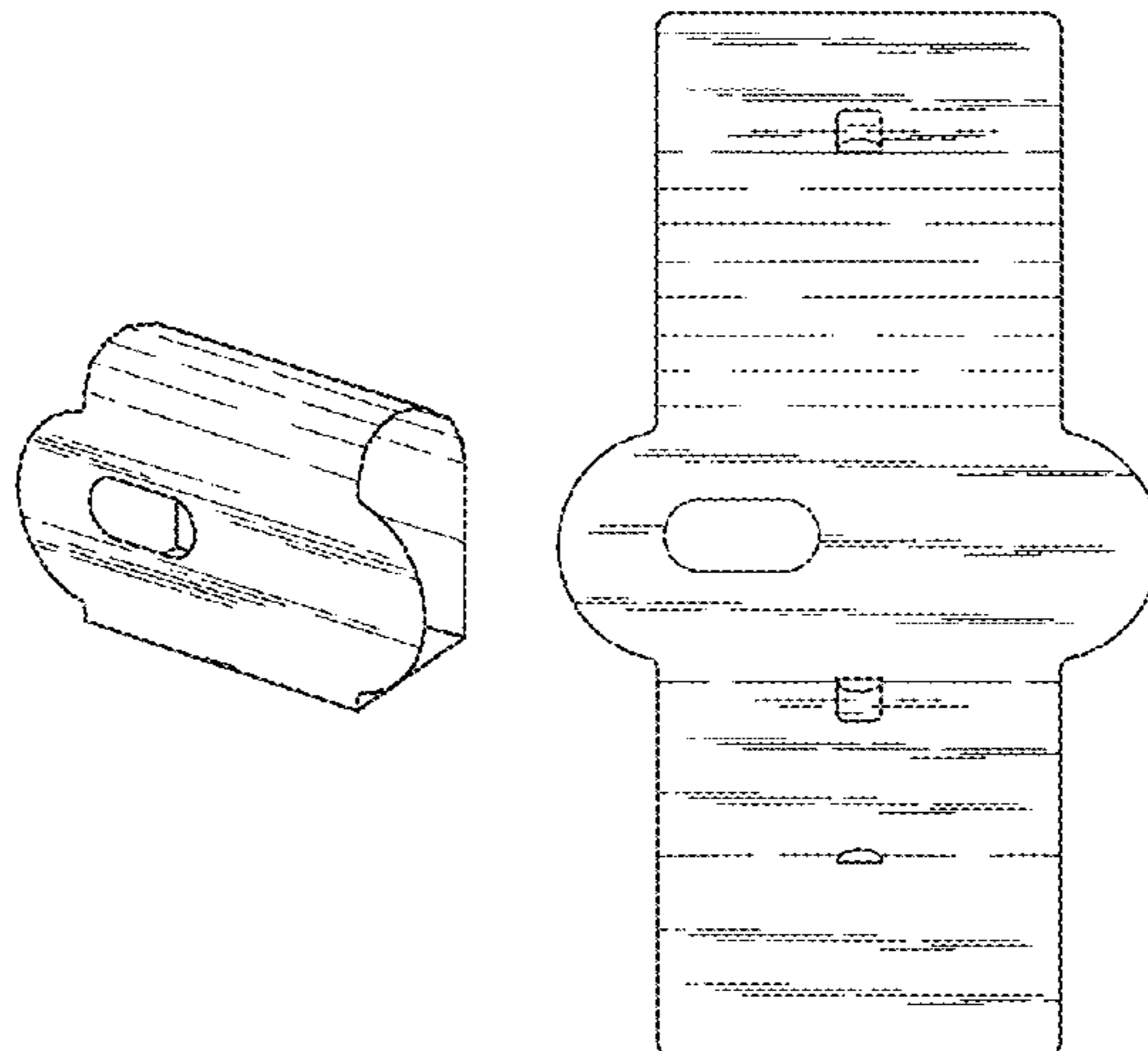
(57) **CLAIM**

The ornamental design for a packaging sleeve, as shown and
described.

DESCRIPTION

FIG. 1 is a perspective view of the packaging sleeve
showing our new design;
FIG. 2 is another perspective view of the packaging sleeve;
FIG. 3 is a front view thereof;
FIG. 4 is a rear view thereof;
FIG. 5 is a top view thereof;
FIG. 6 is a bottom view thereof;
FIG. 7 is a right side view thereof, the left side view being
a mirror image thereof; and,
FIG. 8 is a plan view of the packaging sleeve prior to being
folded into the configuration shown in the other views.
The broken line showing of portions of the packaging sleeve
is included for the purpose of illustrating environmental
structure and forms no part of the claimed design.

1 Claim, 6 Drawing Sheets



(56)

References Cited

U.S. PATENT DOCUMENTS

D665,271 S	8/2012	Halty et al.	
D693,242 S	11/2013	Birchmeier	
D710,213 S	8/2014	Birchmeier	
D718,641 S	12/2014	Ryan et al.	
D742,759 S	11/2015	Ryan et al.	
D743,810 S *	11/2015	El-Afandi	D9/711
D782,326 S *	3/2017	Fath	D9/711
D786,670 S *	5/2017	Lin	D9/432

OTHER PUBLICATIONS

Author unknown, Innocent Caribbean Veg Pot, webpage, retrieved Aug. 16, 2016, one page, publisher unknown, <http://s-media-cache-ak0.pining.com>.

Author unknown, Frego Product Sleeve, webpage, retrieved Aug. 16, 2016, one page, publisher unknown, <http://onehundrymama.com/wp-content/uploads/2012/08/frego-lunch-container.jpg>.

* cited by examiner

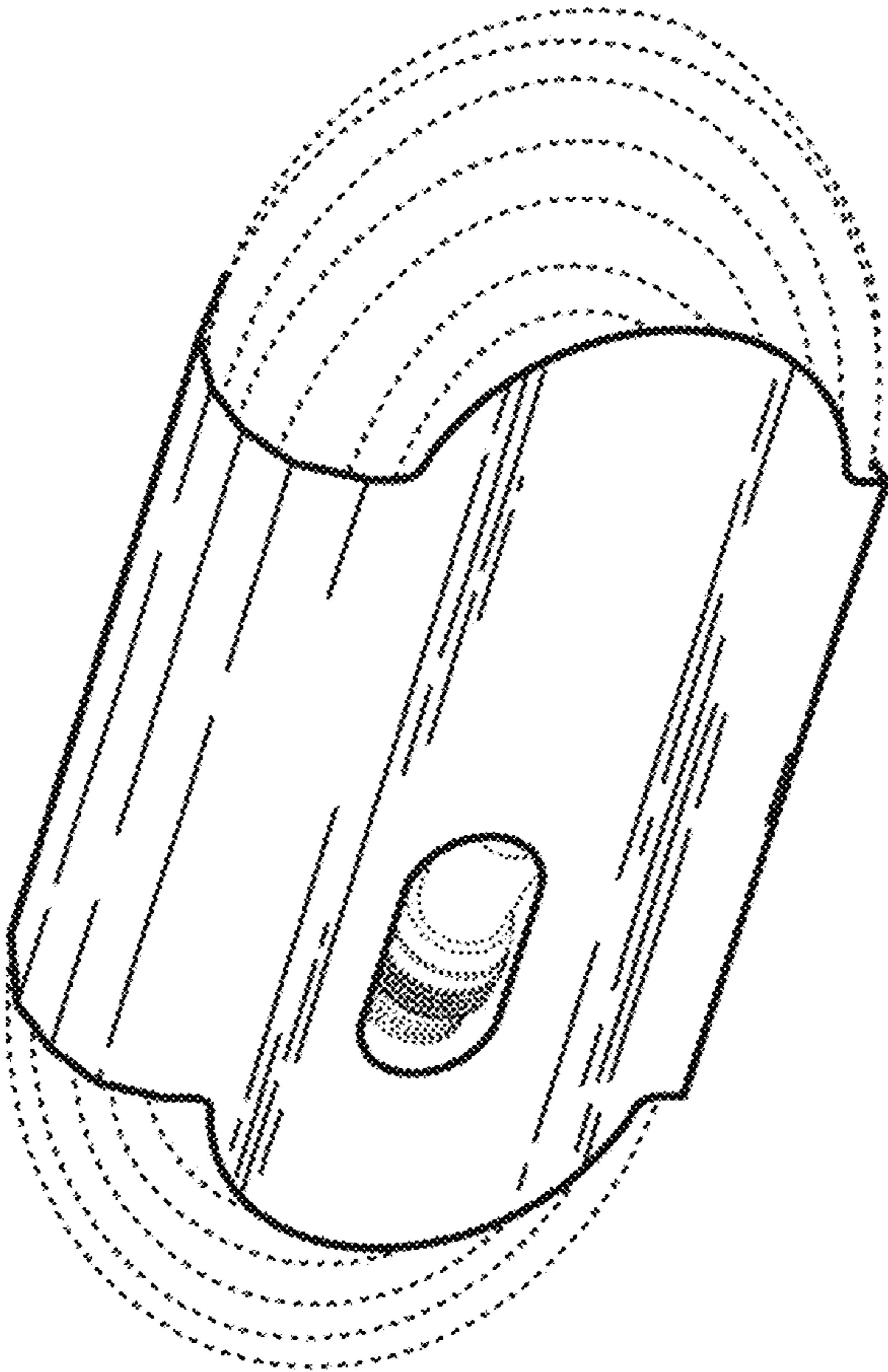


Fig. 1

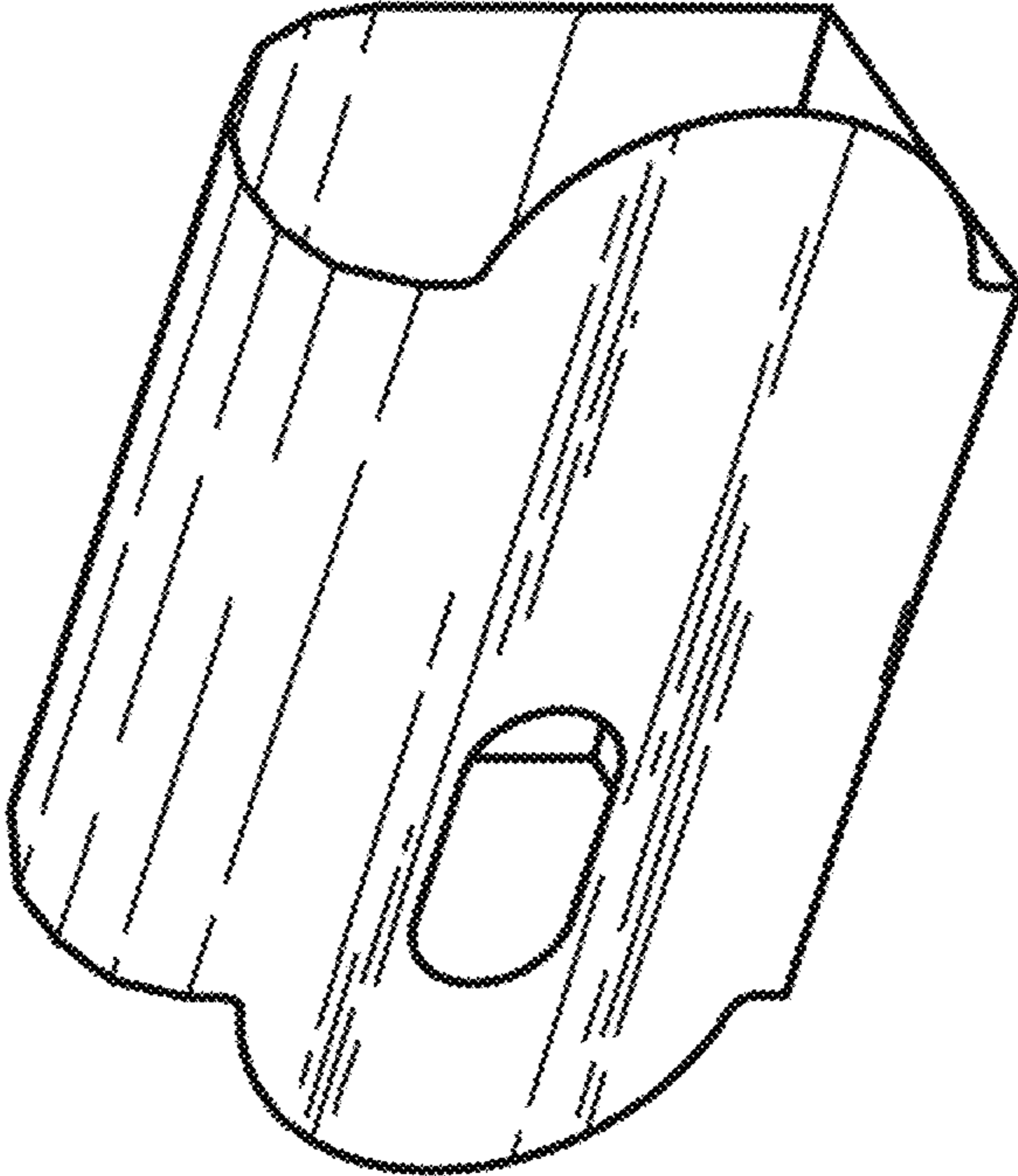


Fig. 2

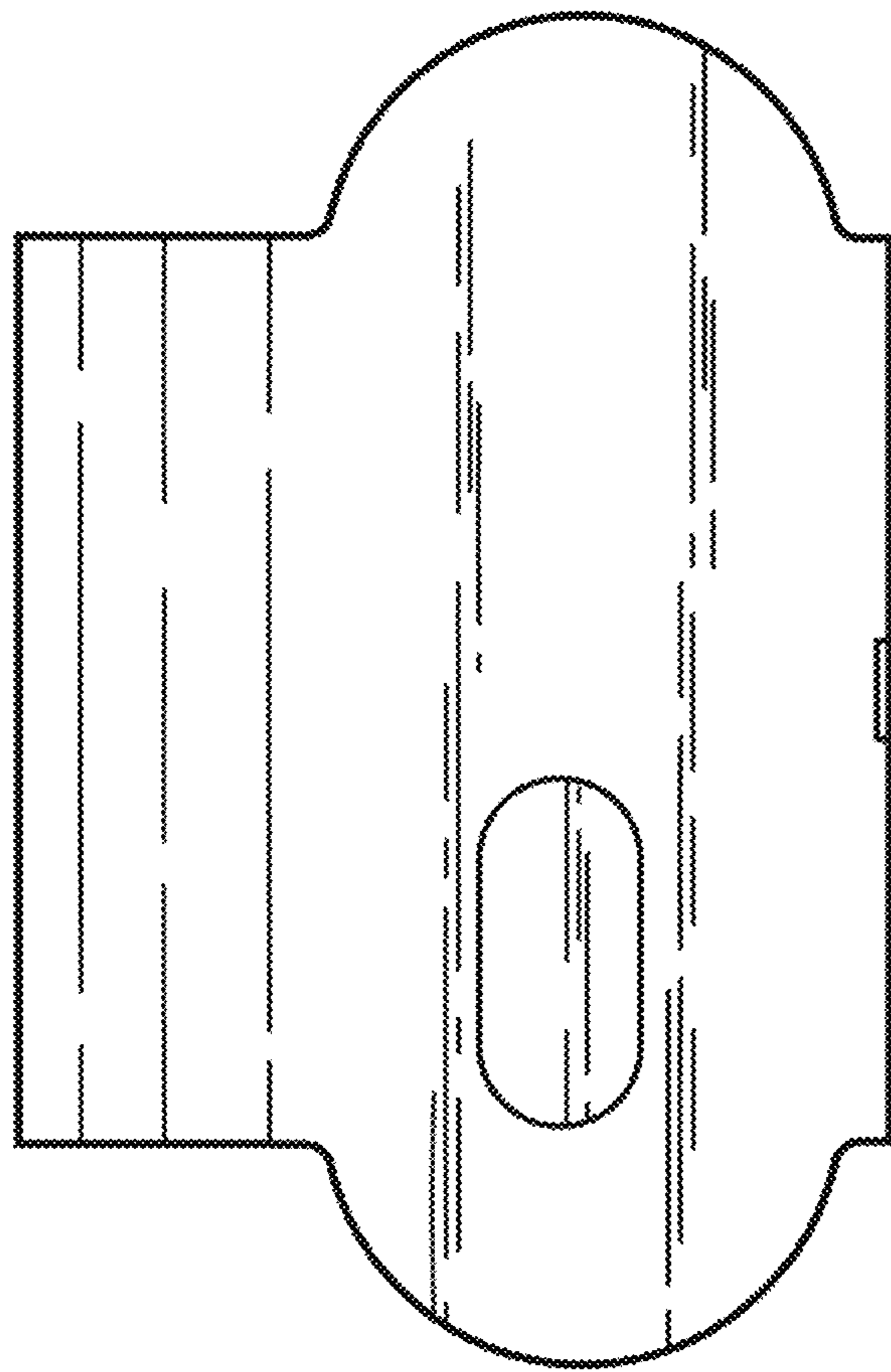


Fig. 3

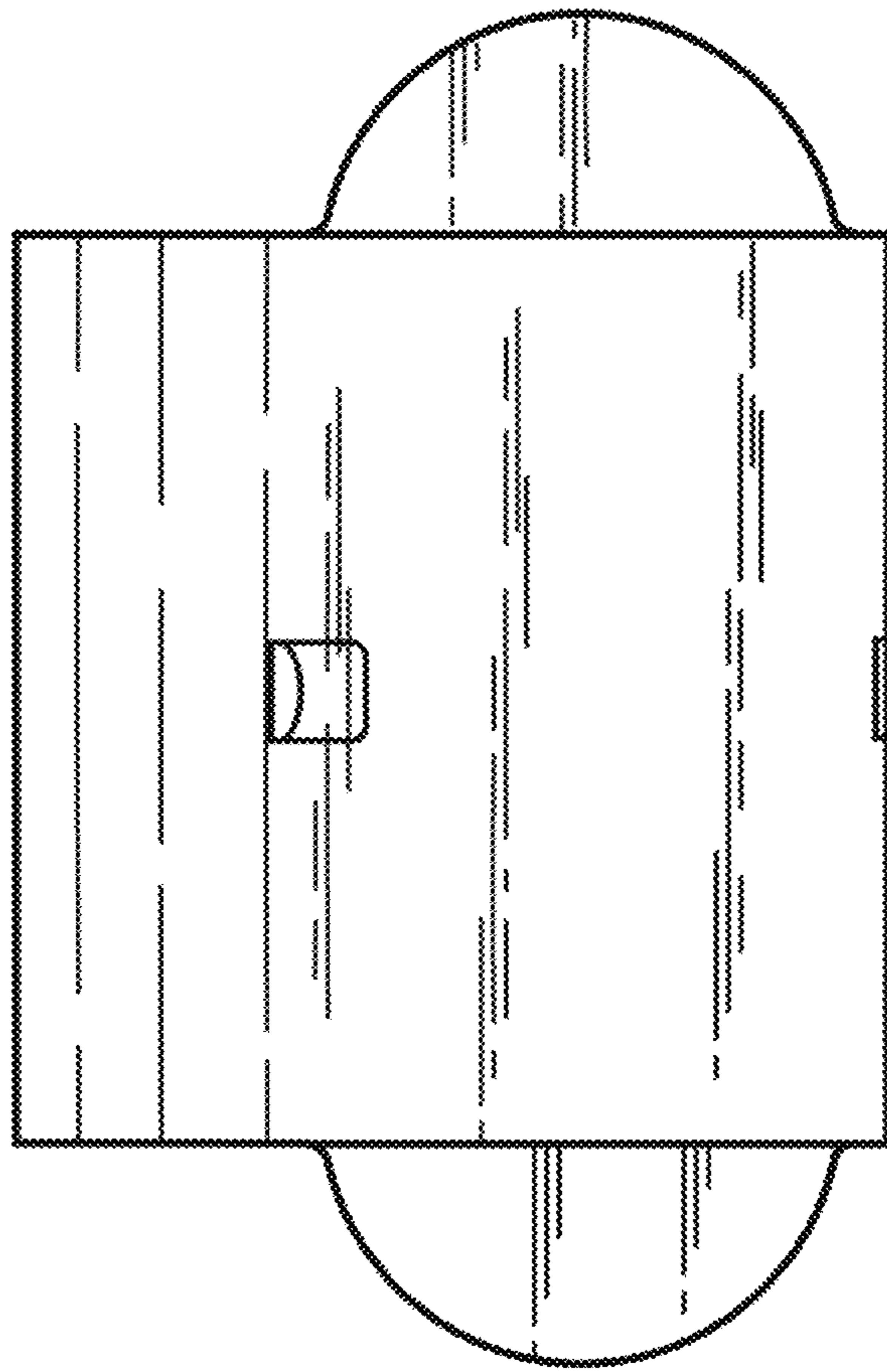


Fig. 4

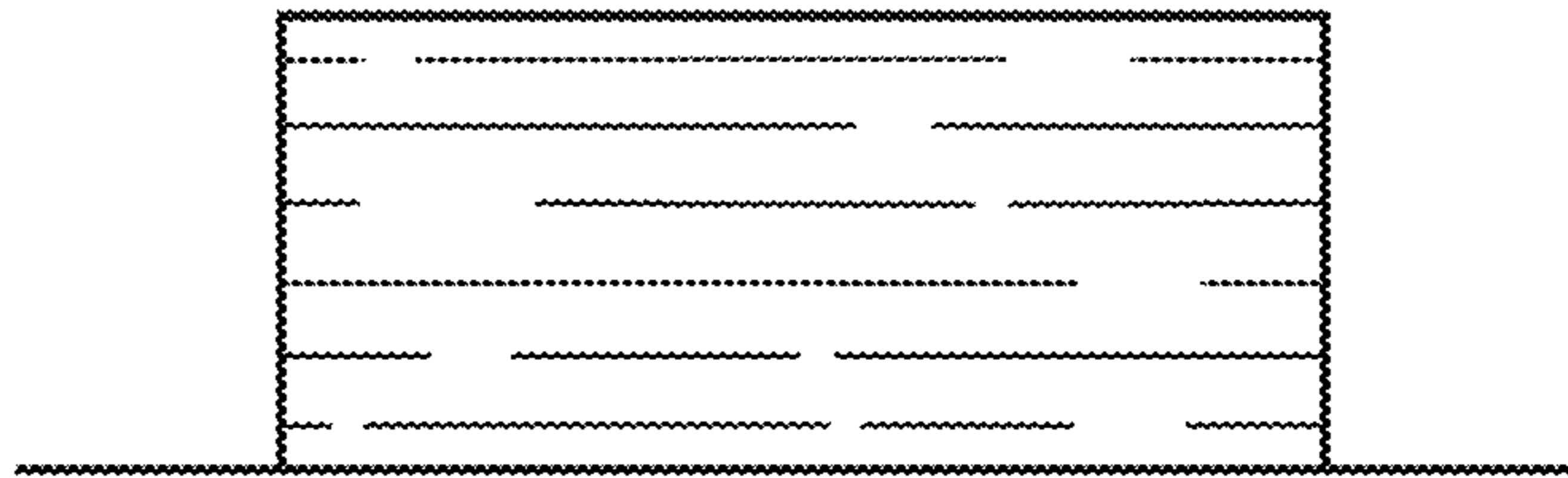


Fig. 5

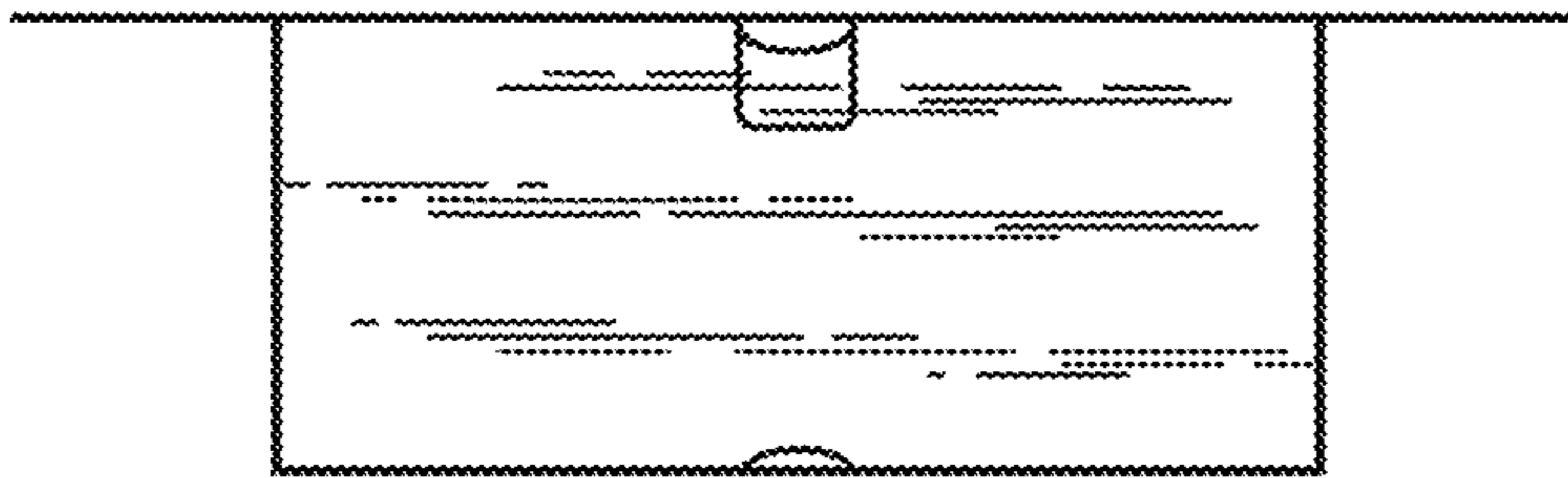


Fig. 6

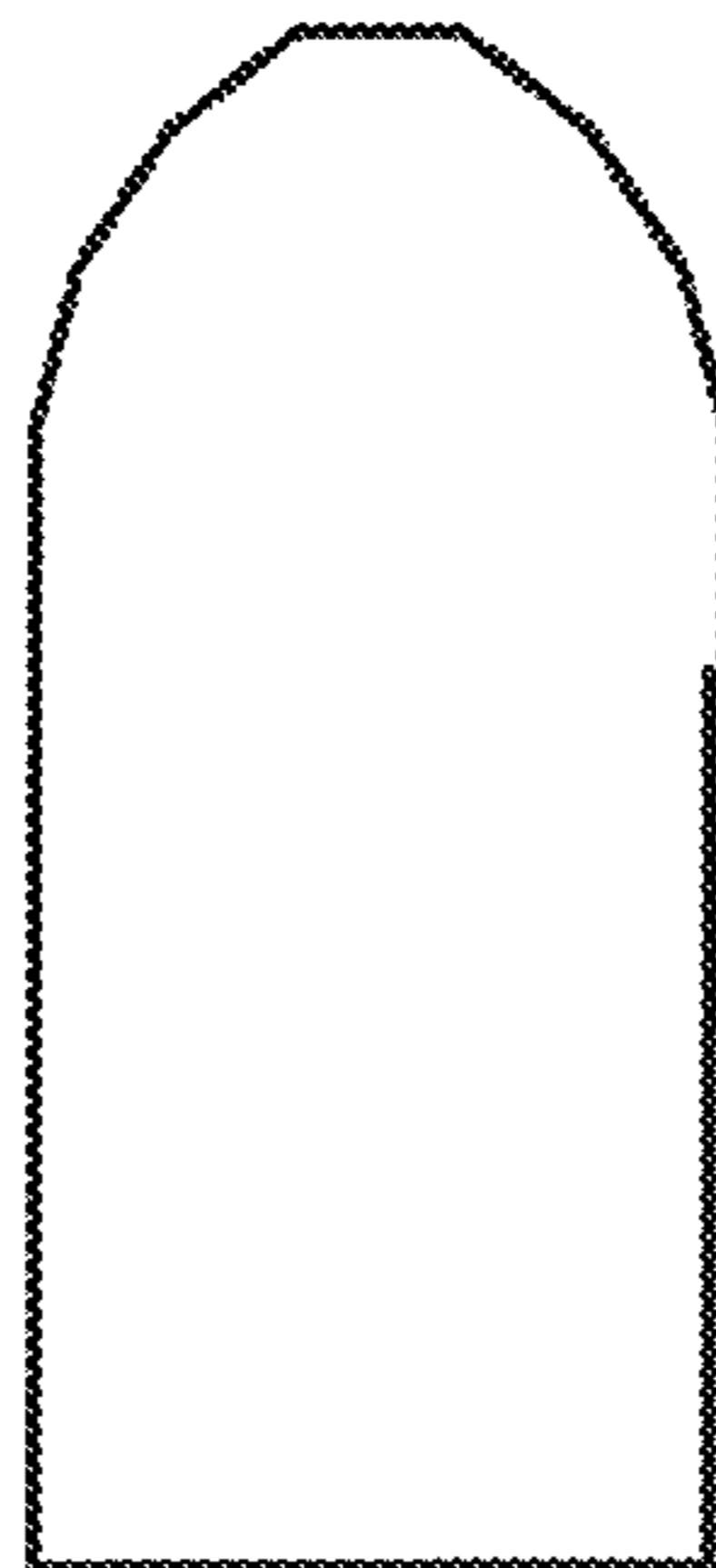


Fig. 7

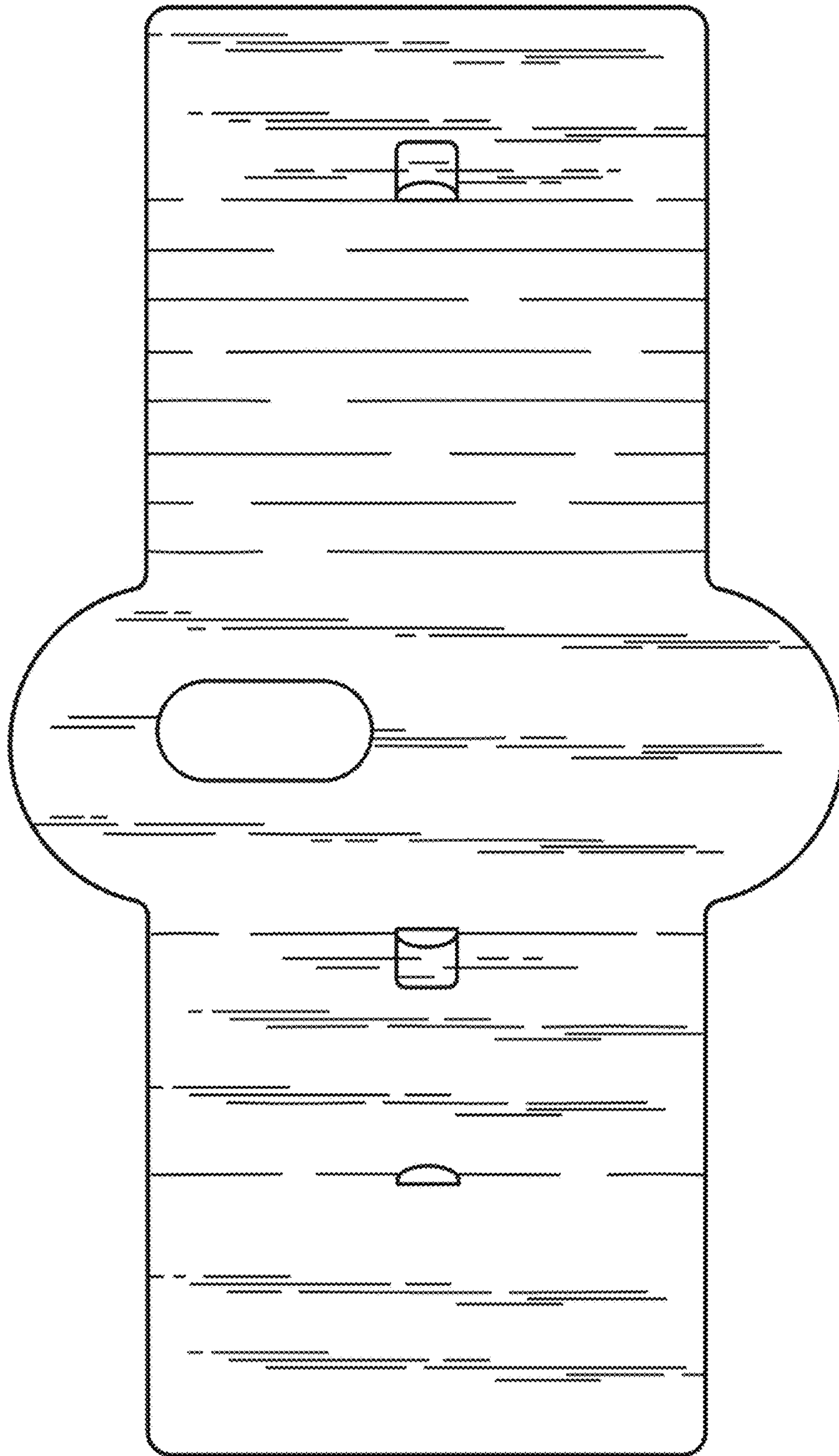


Fig. 8