



US00D798736S

(12) **United States Design Patent**
Shoshan

(10) **Patent No.: US D798,736 S**

(45) **Date of Patent: ** Oct. 3, 2017**

(54) **CONTAINER AND OVERWRAP ASSEMBLY**

(71) Applicant: **FiveStar Gourmet Foods, Inc.**,
Ontario, CA (US)

(72) Inventor: **Tal Shoshan**, Alta Loma, CA (US)

(73) Assignee: **FIVESTAR GOURMET FOODS, INC.**, Ontario, CA (US)

(**) Term: **15 Years**

(21) Appl. No.: **29/576,844**

(22) Filed: **Sep. 7, 2016**

3,773,170 A *	11/1973	Rossi	B65D 25/34 206/216
4,671,453 A *	6/1987	Cassidy	B65D 65/24 206/147
5,484,059 A *	1/1996	Sutherland	B65D 71/18 206/140
5,540,381 A *	7/1996	Davis	B65D 65/22 206/434
D577,295 S *	9/2008	Miller	D9/711
D582,791 S *	12/2008	Elmerhaus	D9/721
D595,150 S *	6/2009	Cain	D9/711
D639,186 S *	6/2011	Shapiro	D9/711
D665,271 S *	8/2012	Halty	D9/711
D668,965 S *	10/2012	Crawford	D9/711
D693,242 S *	11/2013	Birchmeier	D9/711
D710,213 S *	8/2014	Birchmeier	D9/711
D714,639 S *	10/2014	Royer	D9/433
D722,871 S *	2/2015	Royer	D9/433
D742,759 S *	11/2015	Ryan	D9/702

(Continued)

Related U.S. Application Data

(63) Continuation of application No. 29/512,912, filed on Dec. 23, 2014, now Pat. No. Des. 769,732.

(51) **LOC (10) Cl.** **09-05**

(52) **U.S. Cl.**
USPC **D9/711**

(58) **Field of Classification Search**
USPC D9/414-418, 420-423, 430-434,
D9/702-705, 709-713, 715; D3/302,
D3/303; D7/601, 602
CPC B65D 5/00-5/02; B65D 5/0209-5/0272;
B65D 5/2047; B65D 5/40; B65D 5/5455;
B65D 5/727; B65D 31/10-31/18; B65D
35/04; B65D 35/56
See application file for complete search history.

(56) **References Cited**

U.S. PATENT DOCUMENTS

3,443,681 A *	5/1969	Wysocki	B65D 71/20 206/434
3,604,614 A *	9/1971	Sternfeld	B65D 71/20 206/197

Primary Examiner — Vy Koenig

(74) *Attorney, Agent, or Firm* — Frost Brown Todd LLC

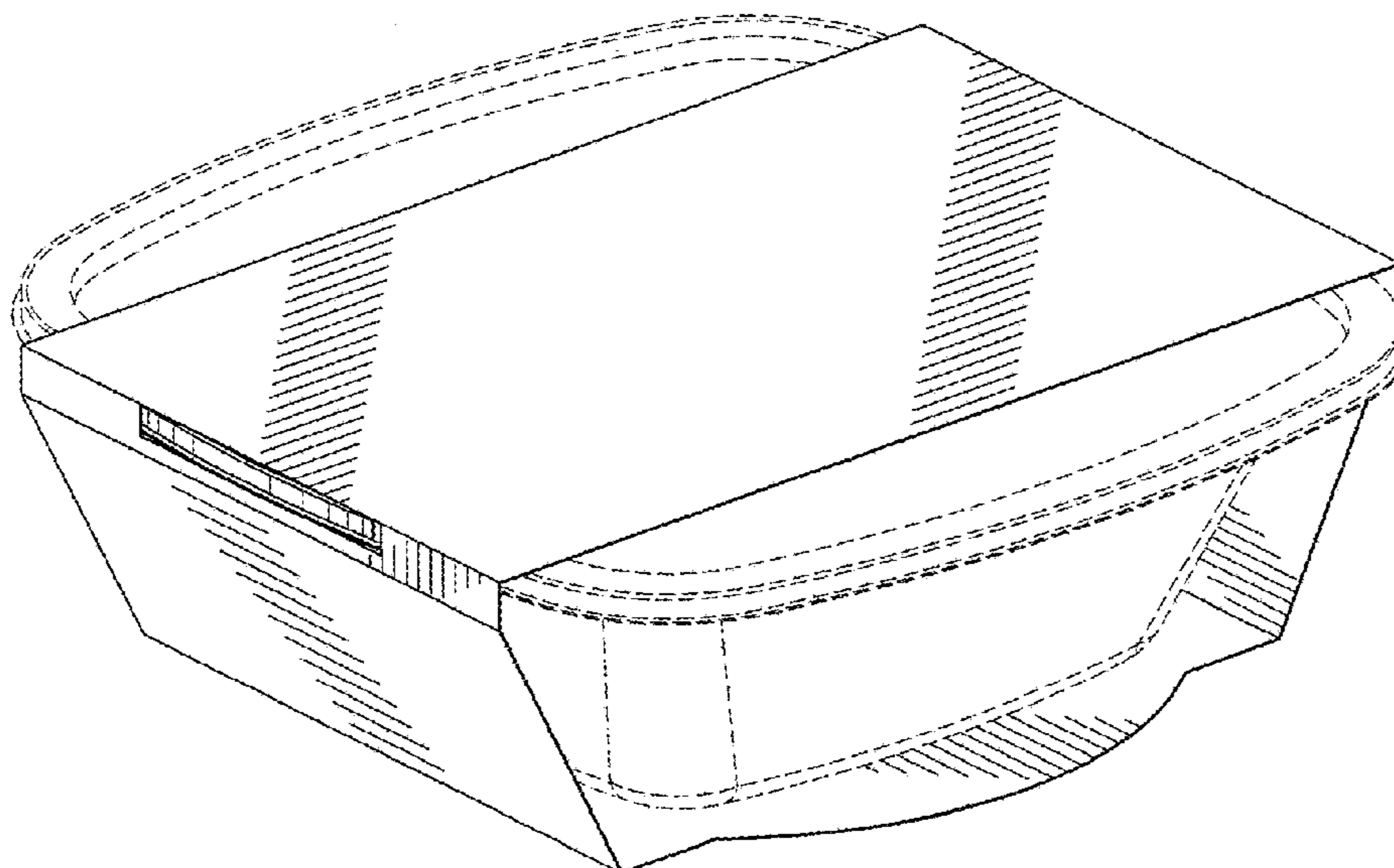
(57) **CLAIM**

The ornamental design for a container and overwrap assembly, as shown and described.

DESCRIPTION

FIG. 1 is a top perspective view of a container and overwrap assembly, showing our new design;
FIG. 2 is a bottom perspective view thereof;
FIG. 3 is a front elevational view thereof, the rear elevational view thereof being identical thereto;
FIG. 4 is a left elevational view thereof, the right elevational view being identical thereto;
FIG. 5 is a top plan view thereof; and,
FIG. 6 is a bottom plan view thereof.
The protrusions, recesses, and other portions of the container and overwrap assembly shown in broken lines are unclaimed environment, and form no part of the claimed design.

1 Claim, 6 Drawing Sheets



(56)

References Cited

U.S. PATENT DOCUMENTS

D760,036 S * 6/2016 Hucuptan D9/416
D769,732 S * 10/2016 Shoshan D9/711

* cited by examiner

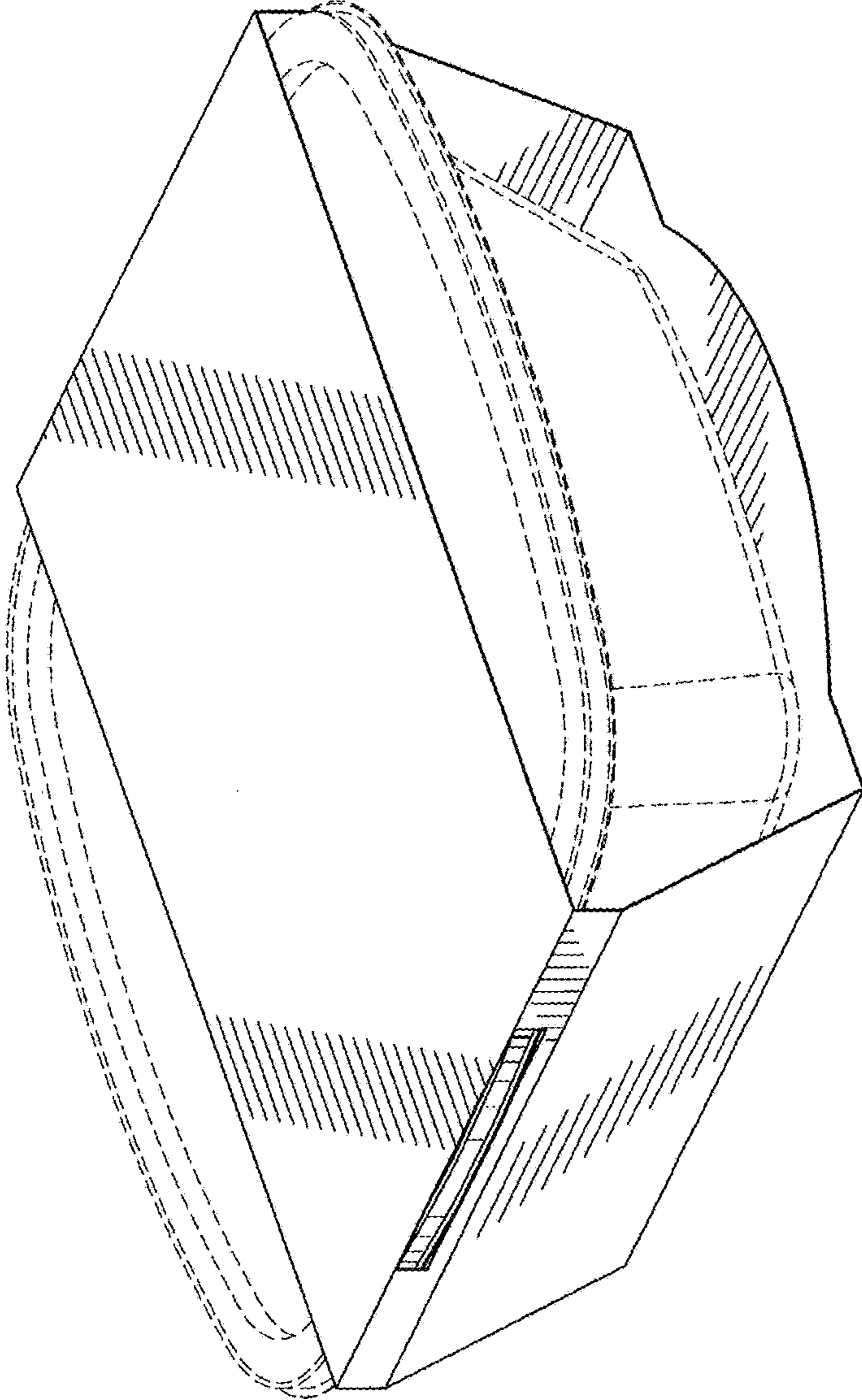


Fig. 1

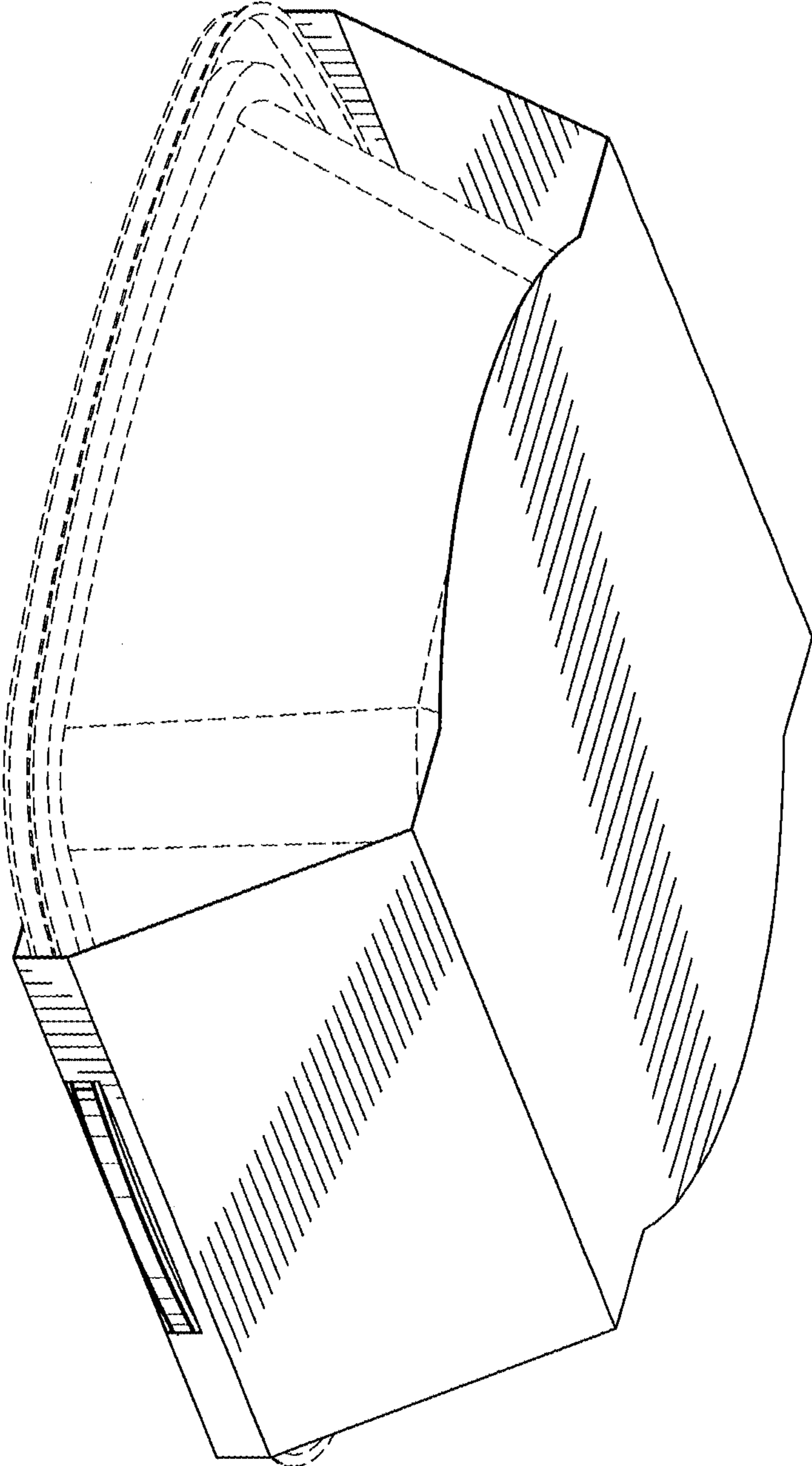


Fig. 2

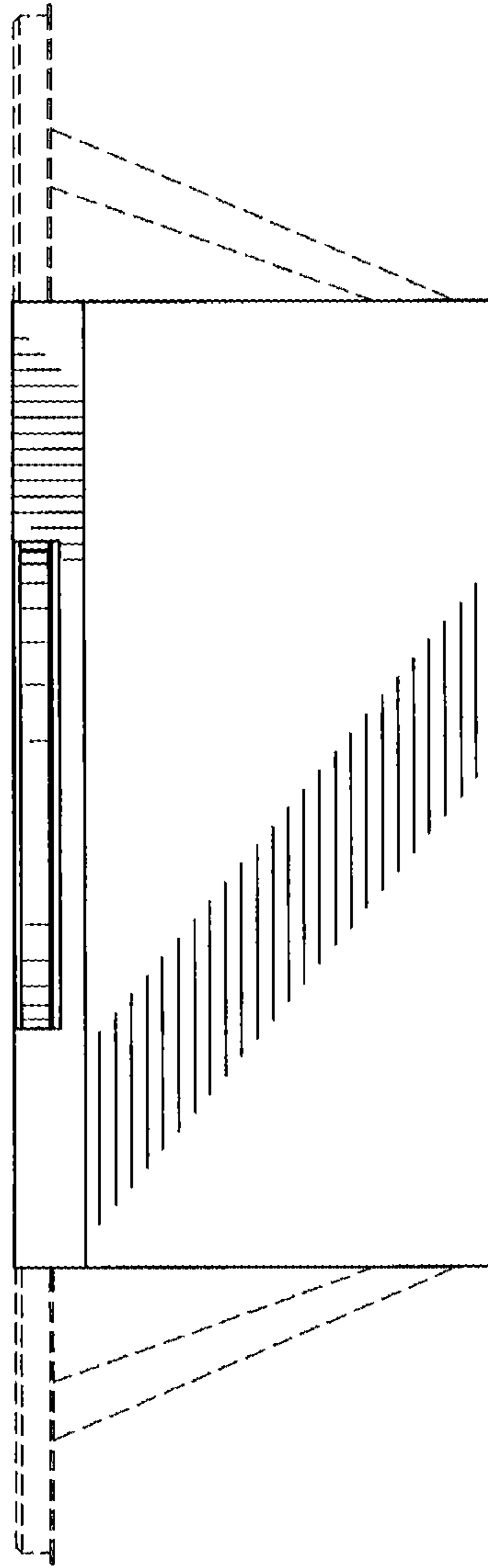


Fig. 3

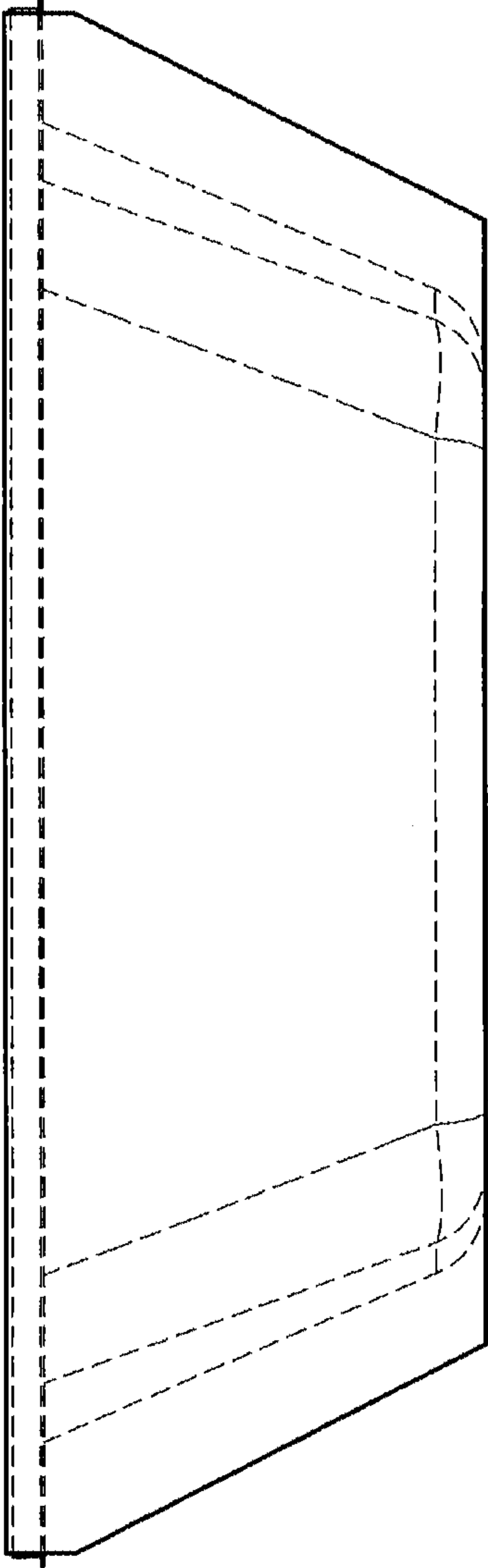


Fig. 4

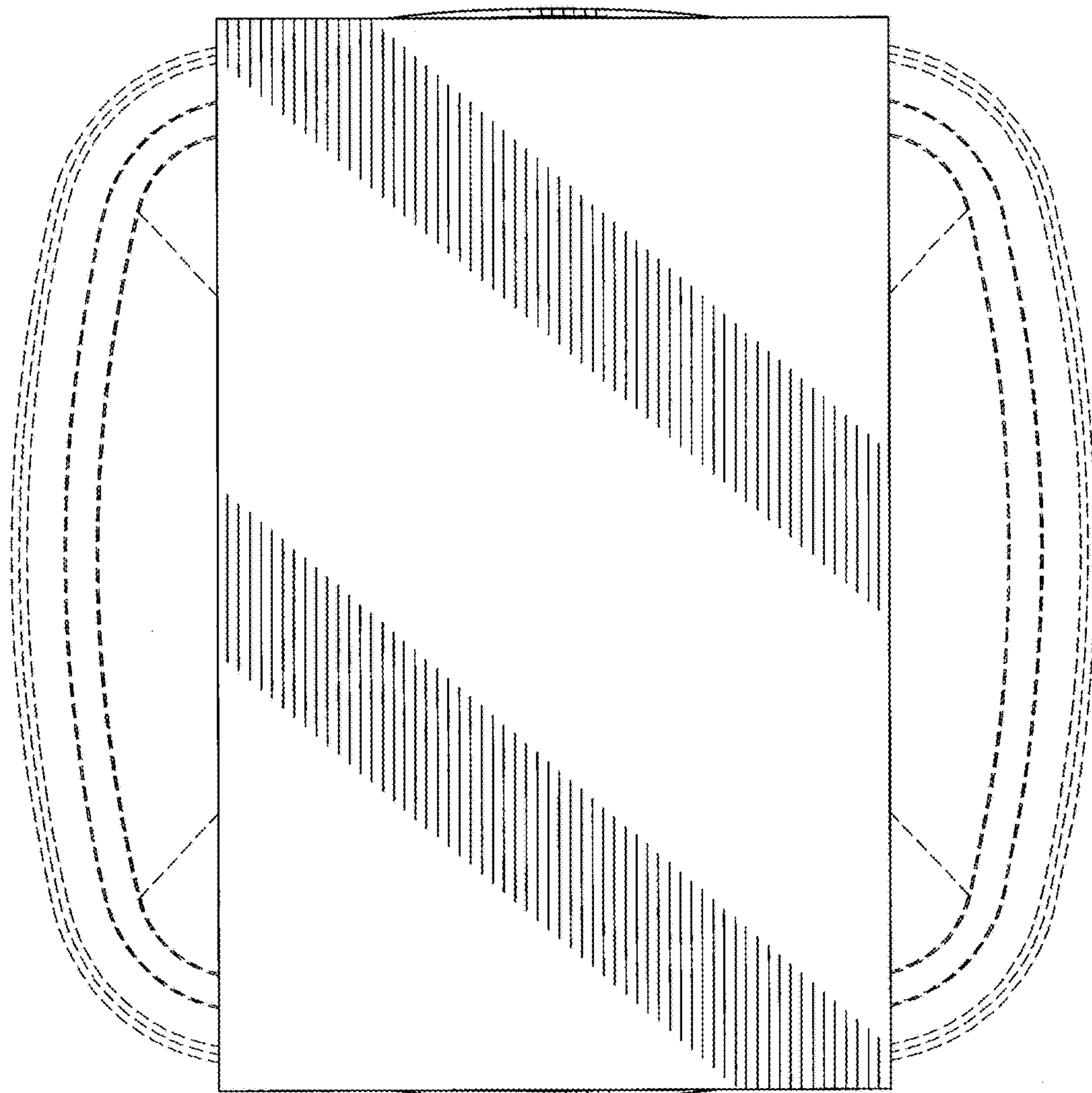


Fig.5

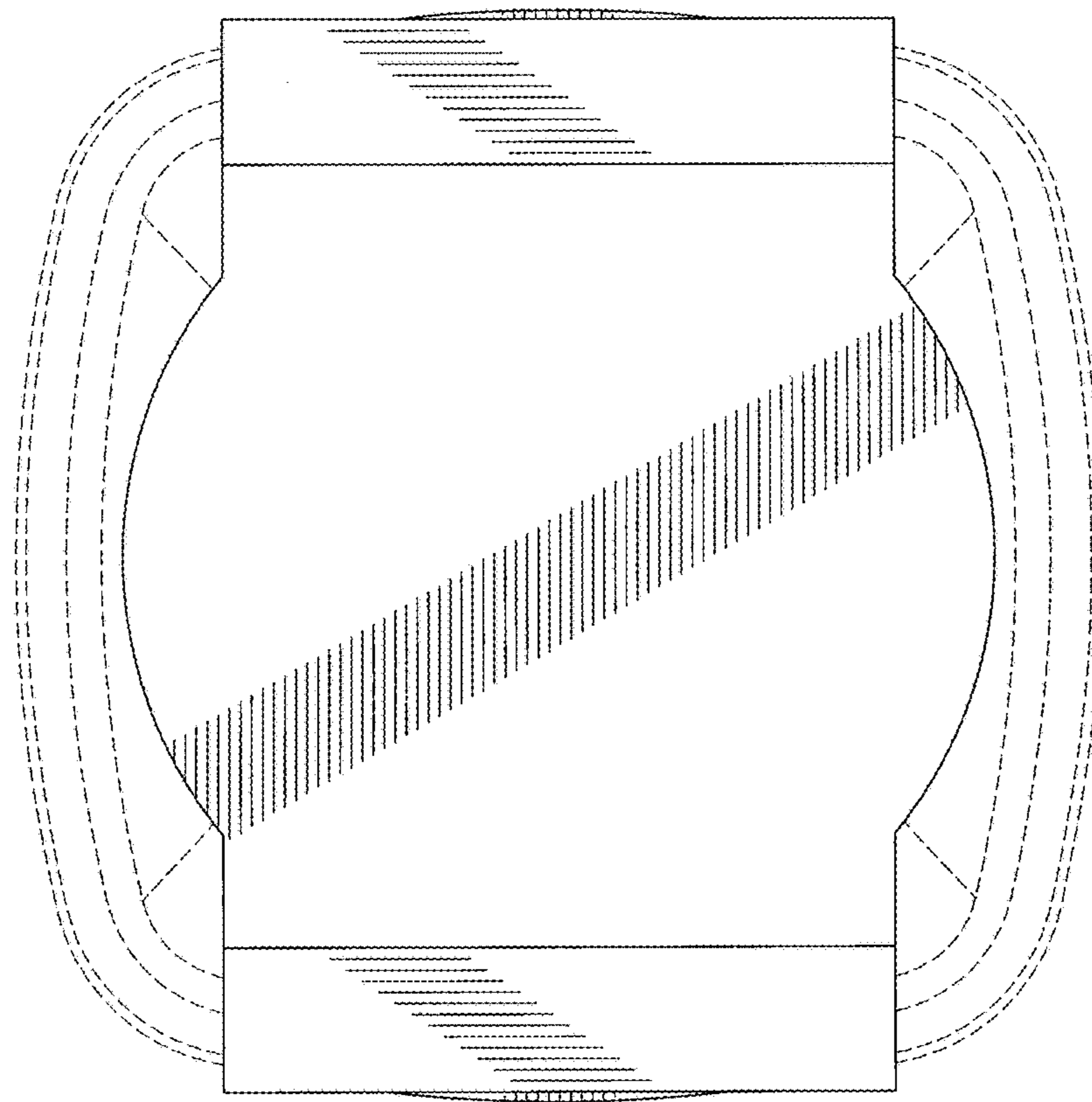


Fig.6