



US00D798727S

(12) **United States Design Patent** (10) **Patent No.:** **US D798,727 S**
Yen et al. (45) **Date of Patent:** **** *Oct. 3, 2017**

(54) **CONTAINER**

(71) Applicant: **YUEN FOONG YU CONSUMER PRODUCTS CO., LTD.**, Taipei (TW)

(72) Inventors: **Ching-Wen Yen**, Taipei (TW); **Nelson Bilodeau**, Taipei (TW)

(73) Assignee: **YUEN FOONG YU CONSUMER PRODUCTS CO., LTD.**, Taipei (TW)

(*) Notice: This patent is subject to a terminal disclaimer.

(**) Term: **15 Years**

(21) Appl. No.: **29/562,816**

(22) Filed: **Apr. 29, 2016**

(30) **Foreign Application Priority Data**

Nov. 24, 2015 (TW) 104306538

(51) **LOC (10) Cl.** **09-01**

(52) **U.S. Cl.**
USPC **D9/574**

(58) **Field of Classification Search**
USPC D9/300, 318, 432, 447-448, 500, D9/502-504, 516, 520, 522, 523, 526, D9/528, 529, 530, 531, 533, 537, D9/538-540, 541-545, 549, 550-552, D9/556-559, 560, 563-565, 569, D9/570-575, 652, 682, 685-686, 715, D9/719; 215/379, 381-385, 387, 396, 215/398; 220/660, 662, 666, 669-675
CPC . B05B 11/001; B05B 11/007; B05B 11/0005; B05B 11/0037; B05B 11/0078; B05B 11/0097; B05B 11/3002; B05B 11/3009; B05B 11/3011; B05B 11/3012; B05B 11/3014; B05B 11/3015; B05B 11/3029; B05B 11/303; B05B 11/3032; B05B 11/3043; B05B 11/3045-11/3047; B05B 11/3049; B05B 11/3056; B05B 11/3057;

B05B 11/3059; B05B 9/085; B05B 9/0861; B05B 9/0888; B05B 15/06; B05B 15/061; B65D 1/02; B65D 1/0223; B65D 1/40; B65D 2501/0081

See application file for complete search history.

(56) **References Cited**

U.S. PATENT DOCUMENTS

D101,919 S * 11/1936 Leach D9/544
D104,881 S * 6/1937 Rosengart 604/301
D252,672 S * 8/1979 Aldrich, III D9/542
(Continued)

FOREIGN PATENT DOCUMENTS

CN 302828936 * 5/2014
CN 303284653 * 7/2015
(Continued)

Primary Examiner — Catherine Tuttle

Assistant Examiner — Mary Malley

(74) *Attorney, Agent, or Firm* — Chieh-Mei Wang

(57) **CLAIM**

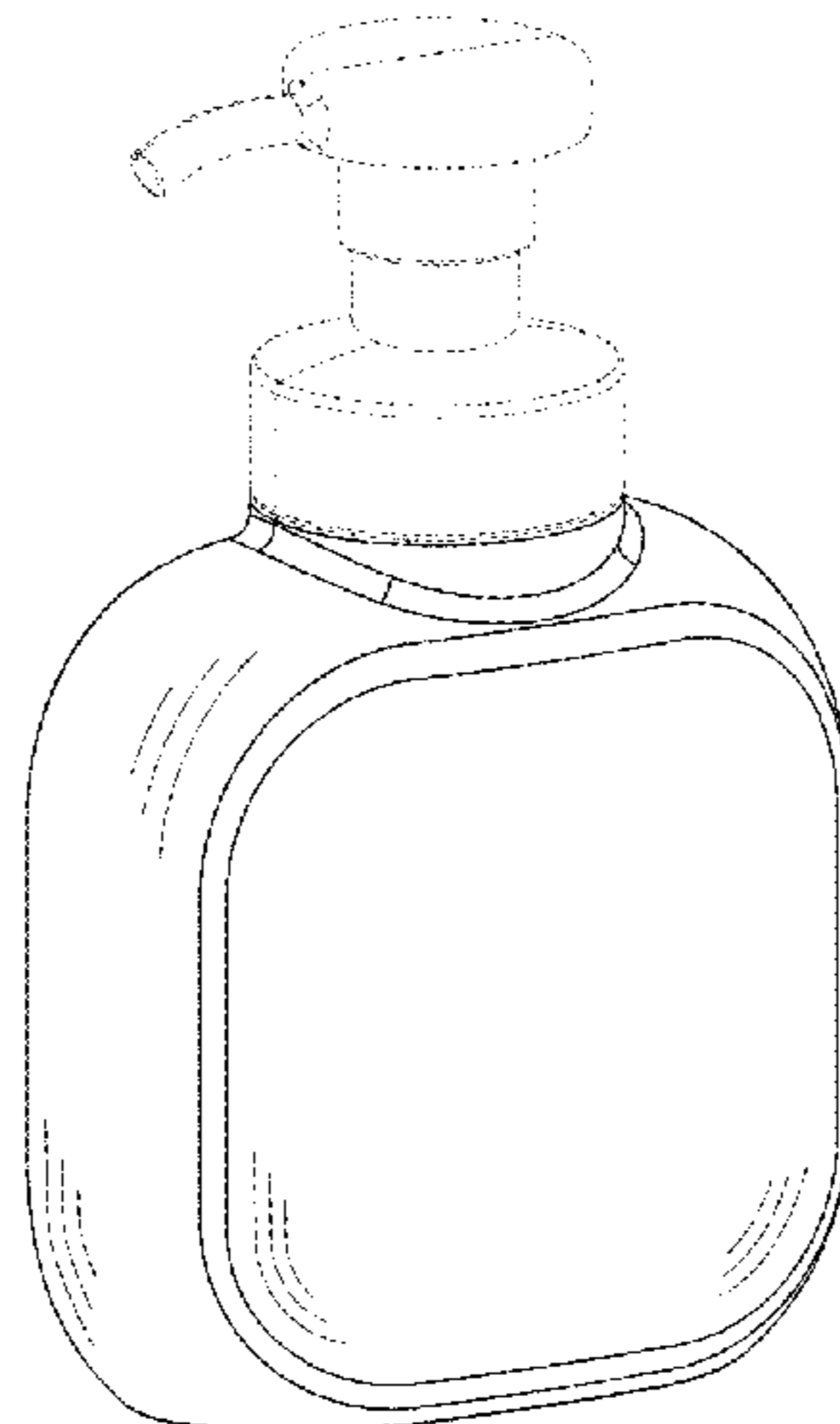
The ornamental design for a container, as shown and described.

DESCRIPTION

FIG. 1 is a perspective view of a container showing the new design;
FIG. 2 is a front view thereof;
FIG. 3 is a rear view thereof;
FIG. 4 is a right side view thereof;
FIG. 5 is a left side view thereof;
FIG. 6 is a bottom view thereof; and,
FIG. 7 is a top view thereof.

The ornamental design which is claimed is shown in solid lines in the drawings. The broken line showing environmental structure is included for illustrative purposes only and forms no part of the claimed design.

1 Claim, 7 Drawing Sheets



(56)

References Cited

U.S. PATENT DOCUMENTS

D259,098	S	*	5/1981	Lauren	D9/545
D337,496	S	*	7/1993	Laubach	D9/448
D355,369	S	*	2/1995	Lund	D9/558
D356,263	S	*	3/1995	Matsumoto	D9/552
D392,895	S	*	3/1998	Kuzma	D9/558
D414,103	S	*	9/1999	Crawford	D9/542
D421,215	S	*	2/2000	Crawford	D9/542
D433,623	S	*	11/2000	Crawford	D9/542
D434,663	S	*	12/2000	Jones	D9/516
D450,247	S	*	11/2001	Johnson	D9/542
D451,008	S	*	11/2001	Crawford	D9/560
D480,975	S	*	10/2003	de Baschmakoff	D9/563
D524,658	S	*	7/2006	Varlet	D9/544
D541,664	S	*	5/2007	Galdini	D9/574
D563,232	S	*	3/2008	Mongeon	D9/550
D584,634	S	*	1/2009	Perez	D9/542
D600,127	S	*	9/2009	Kuzma	D9/530
D635,464	S	*	4/2011	Kuzma	D9/563
D735,051	S	*	7/2015	Conway	D9/522
D742,240	S	*	11/2015	Santos	D9/544
2005/0189378	A1	*	9/2005	Eluck	B05B 11/0005 222/78
2007/0241135	A1	*	10/2007	Santagiuliana	B05B 11/3008 222/153.13

FOREIGN PATENT DOCUMENTS

CN	303436395	*	11/2015
CN	303539371	*	1/2016
CN	303768001	*	8/2016
GB	2065142	*	7/1997
TW	D147678		6/2012
TW	D148443		8/2012

* cited by examiner

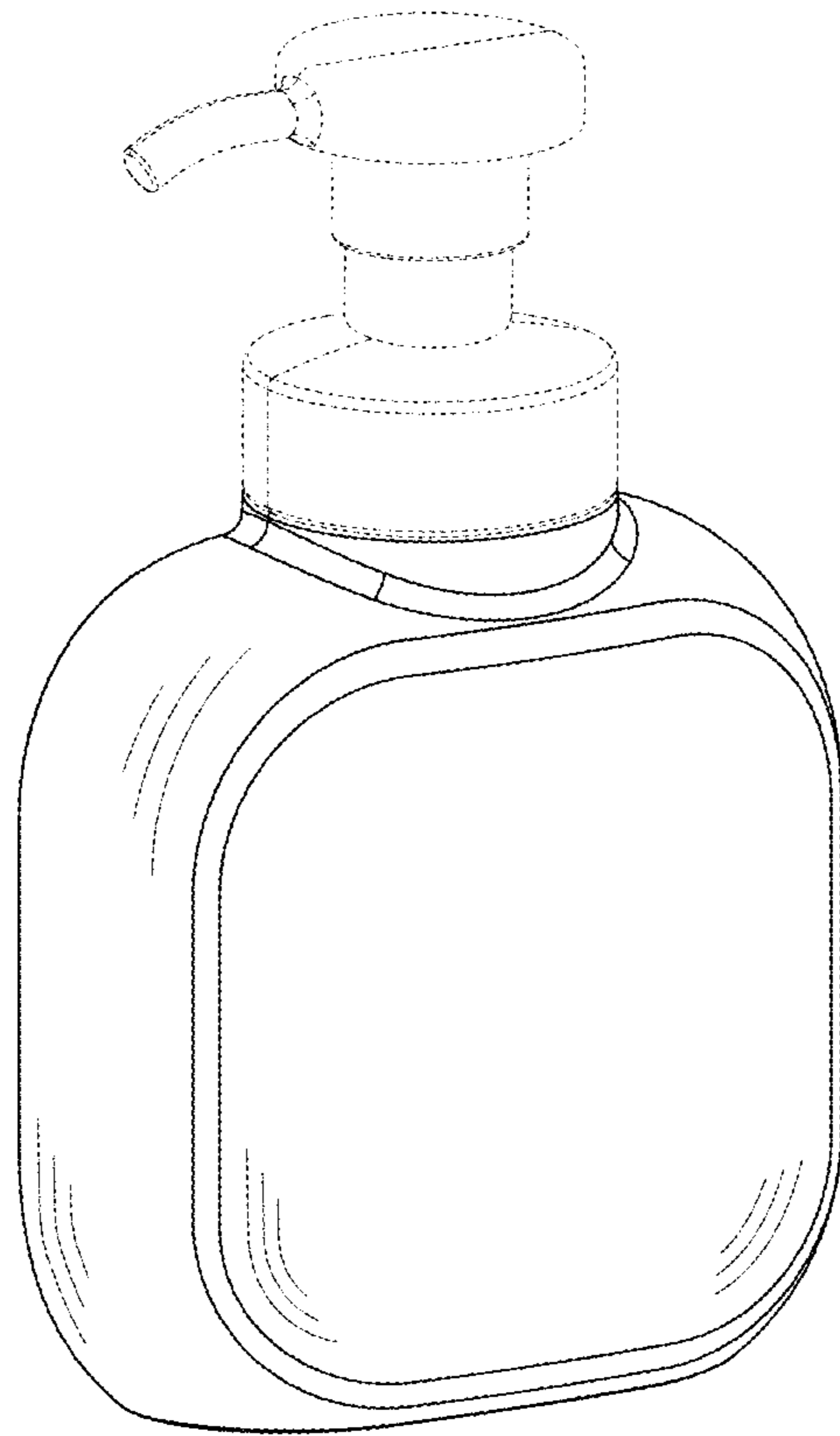


FIG. 1

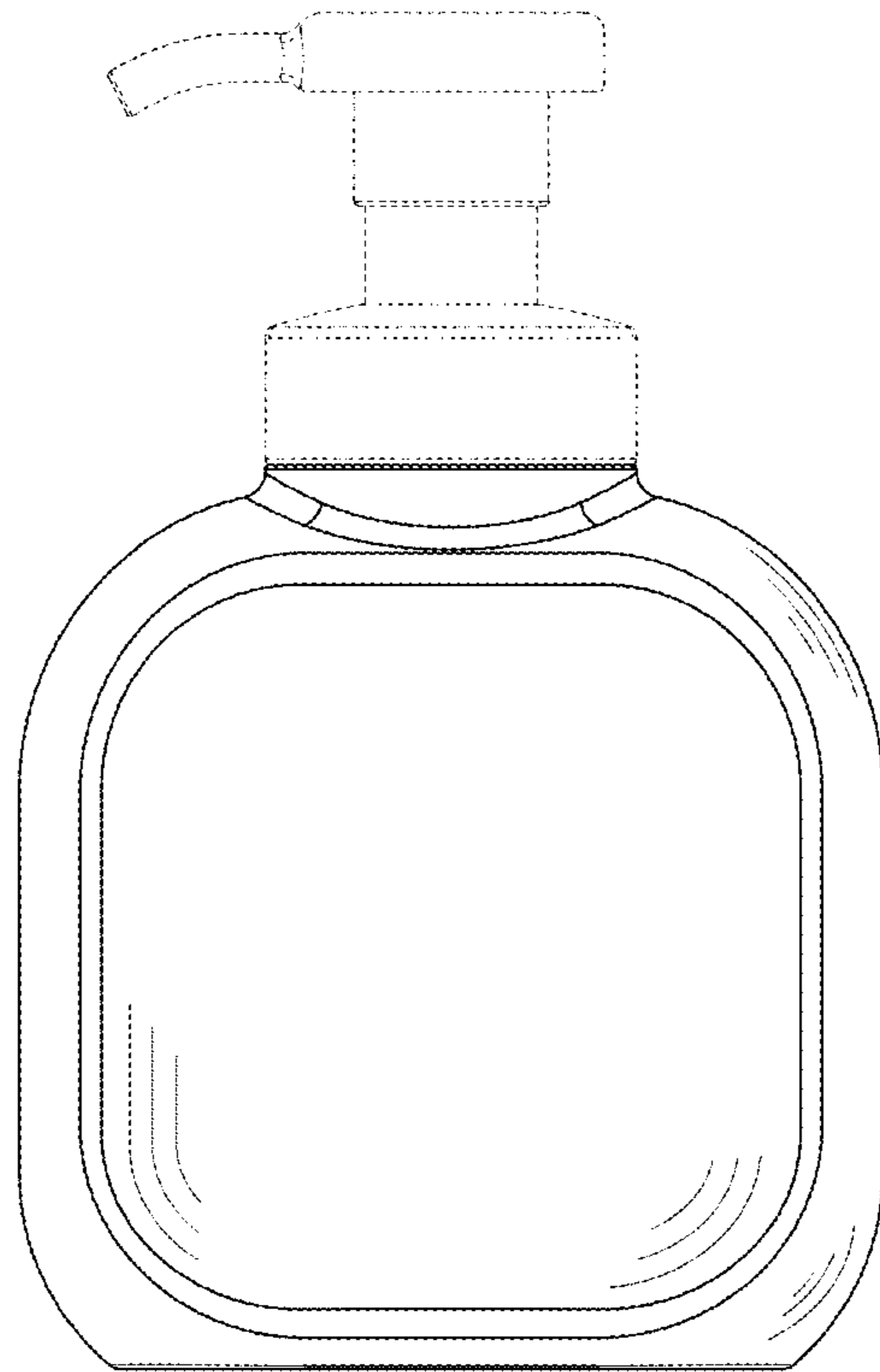


FIG. 2

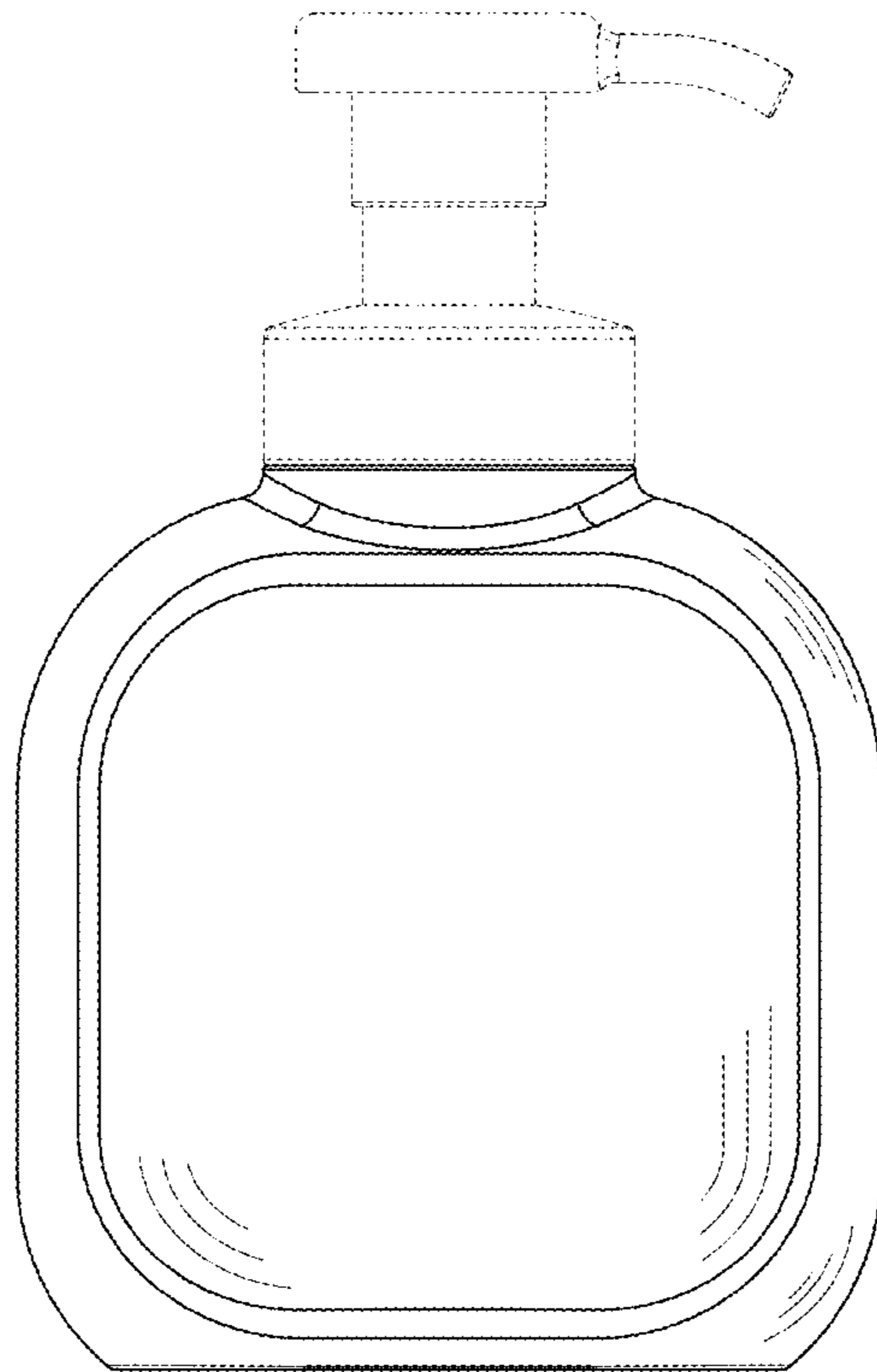


FIG. 3

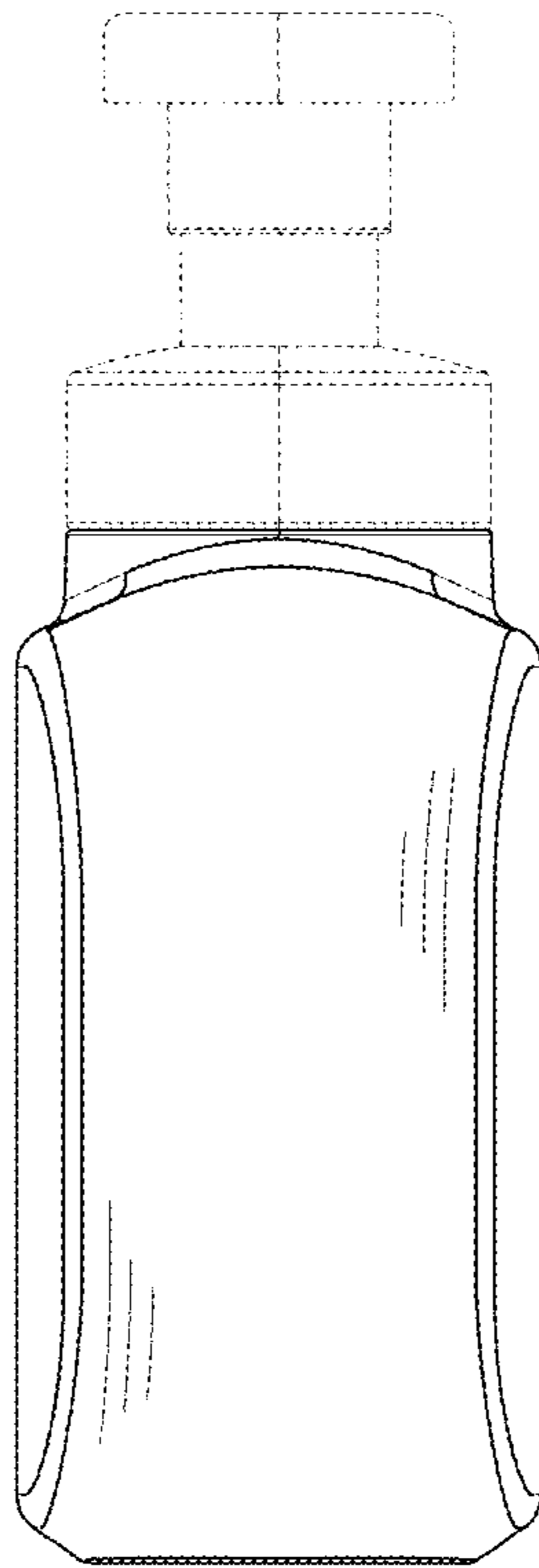


FIG. 4

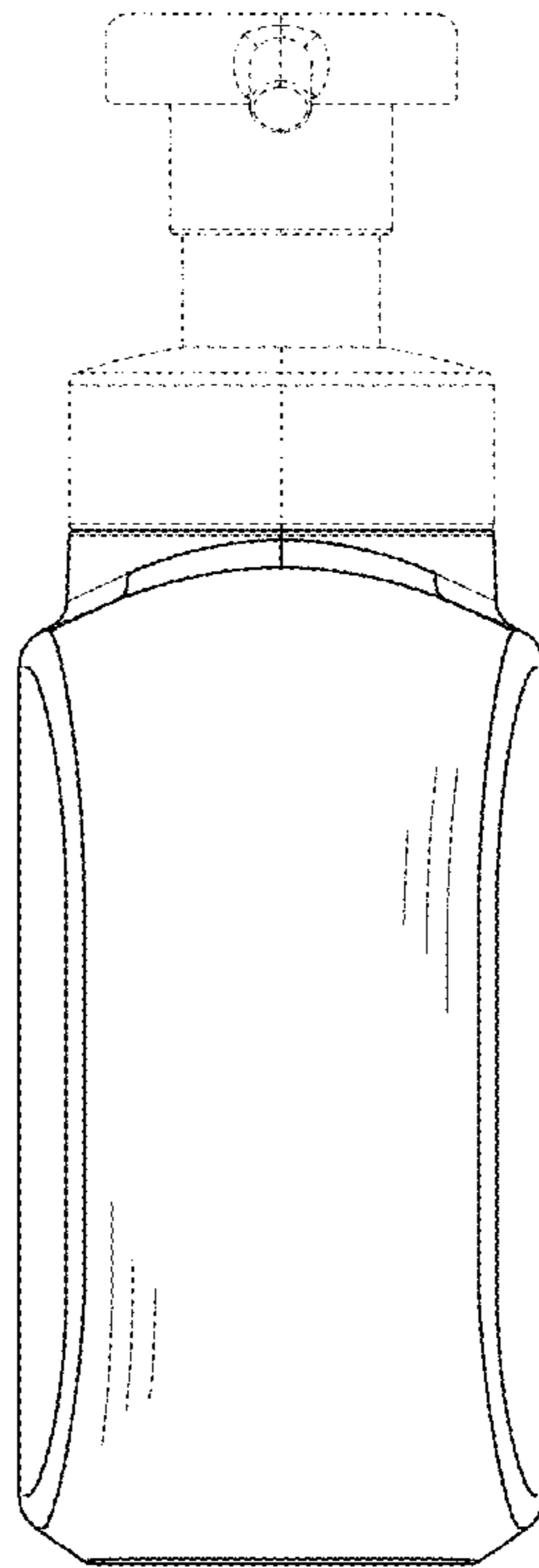


FIG. 5

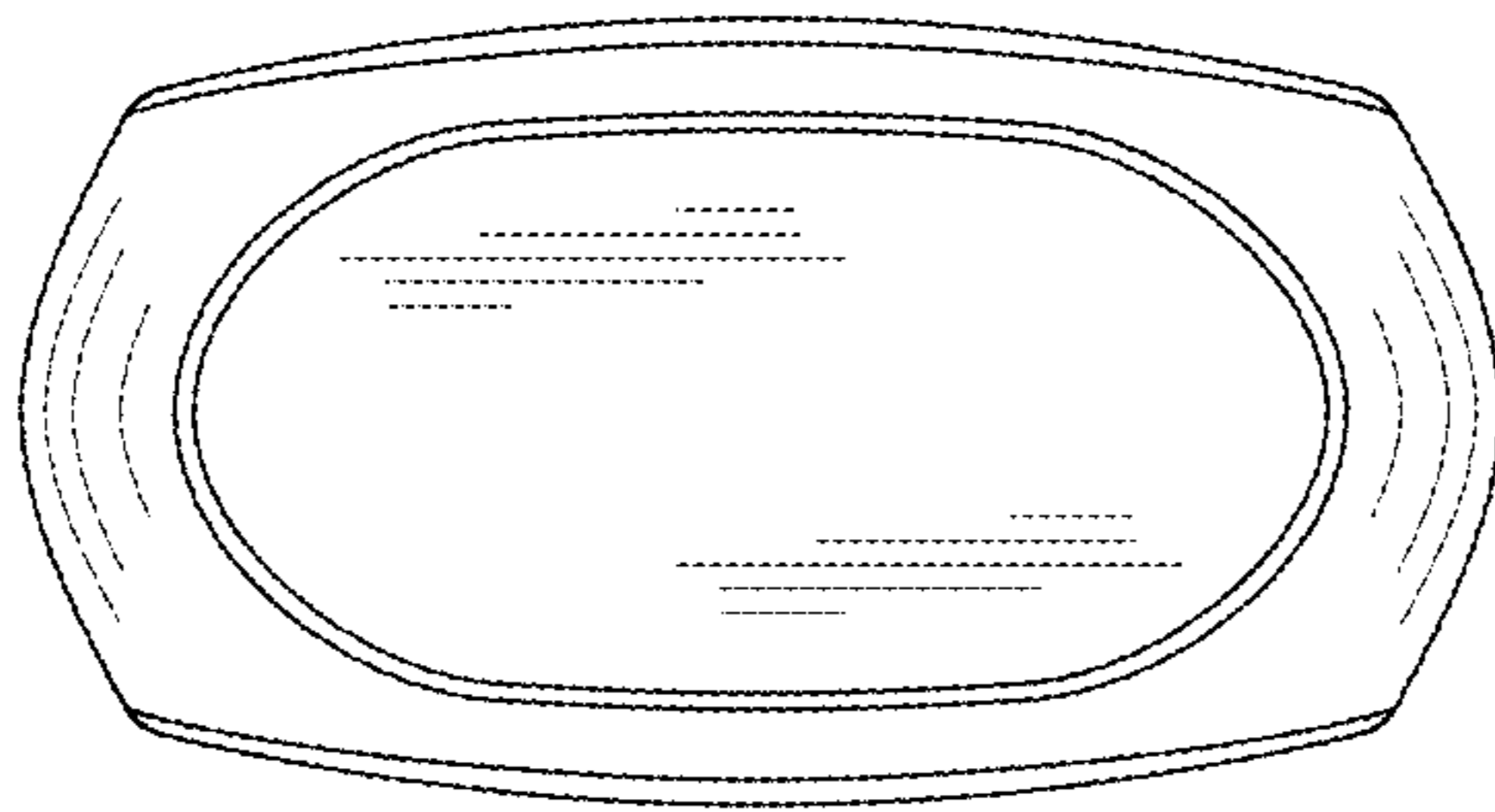


FIG. 6

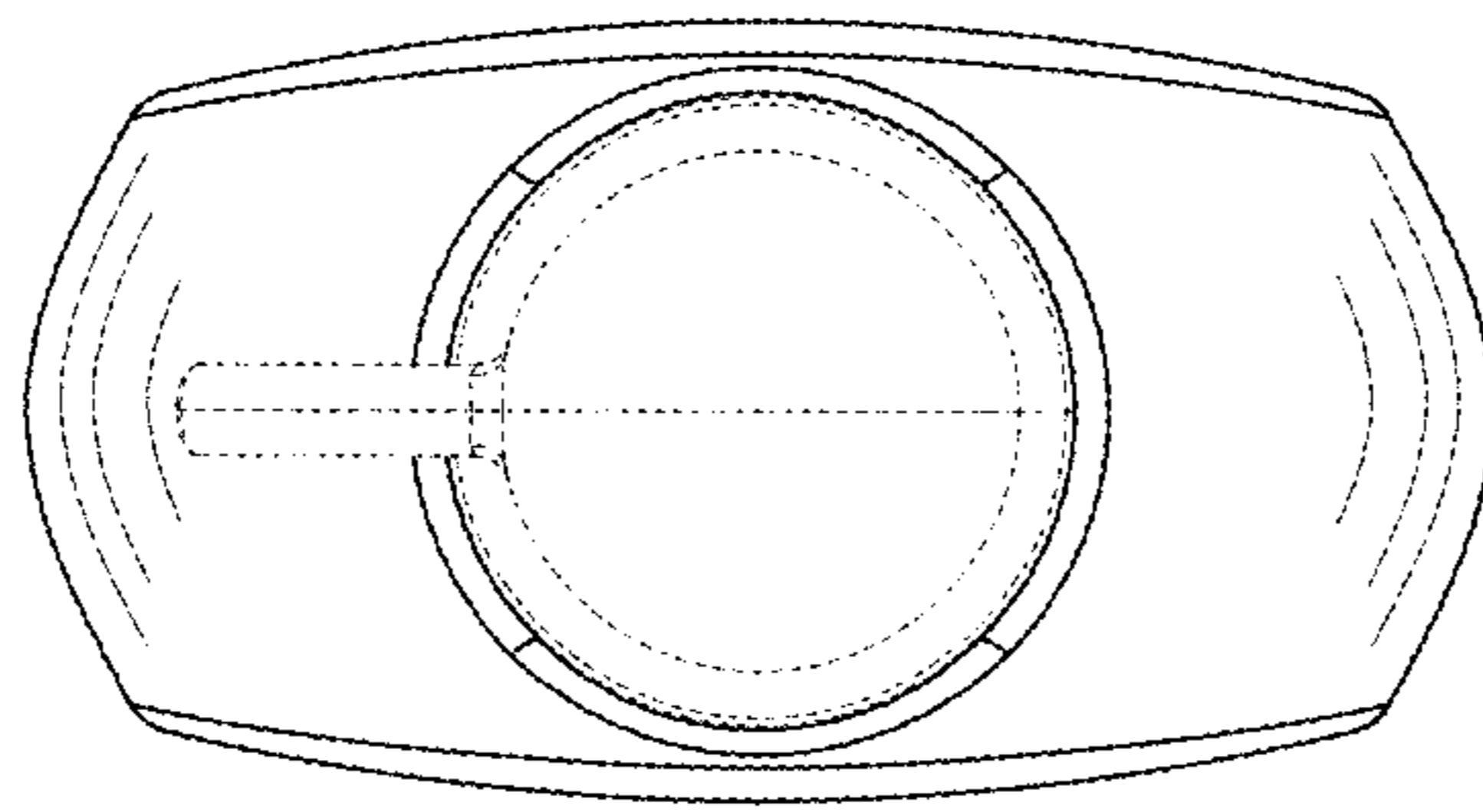


FIG. 7