



US00D798726S

(12) **United States Design Patent** (10) **Patent No.:** **US D798,726 S**
Liu (45) **Date of Patent:** **** Oct. 3, 2017**

(54) **COSMETIC CONTAINER**

(56) **References Cited**

(71) Applicant: **Free-Free Industrial Corp.**, Taipei (TW)

U.S. PATENT DOCUMENTS

(72) Inventor: **Sheng-Yu Liu**, Taipei (TW)

D100,050 S *	6/1936	Sheridan	D9/571
D178,213 S *	7/1956	Schwartz	D9/563
D256,433 S *	8/1980	Kretz	D7/300
D454,499 S *	3/2002	Berkhauer	D9/535
D589,814 S *	4/2009	Holzner	D9/529
D665,262 S *	8/2012	Regas	D9/516
D696,132 S *	12/2013	Krunas	D9/542
D747,214 S *	1/2016	De Baschmakoff	D9/444

(73) Assignee: **FREE-FREE INDUSTRIAL CORP.**, Taipei (TW)

(**) Term: **15 Years**

* cited by examiner

(21) Appl. No.: **29/573,241**

Primary Examiner — Anhdao Doan

(22) Filed: **Aug. 3, 2016**

Assistant Examiner — Mary Malley

(51) **LOC (10) Cl.** **09-01**

(74) *Attorney, Agent, or Firm* — DLA Piper LLP (US)

(52) **U.S. Cl.**

USPC **D9/566**; D9/573; D9/574

(58) **Field of Classification Search**

(57) **CLAIM**

USPC D9/434, 435, 444–445, 449, 452–454,
D9/500–505, 516, 519, 521–526,
D9/529–530, 535, 537–546, 548–575,
D9/682–694, 723–729; D7/300, 598;
215/252, 253, 379, 381–385; 220/660,
220/662, 669–673, 675; D28/4, 7, 73,
D28/76–77, 82, 85–87

The ornamental design for a cosmetic container, as shown and described.

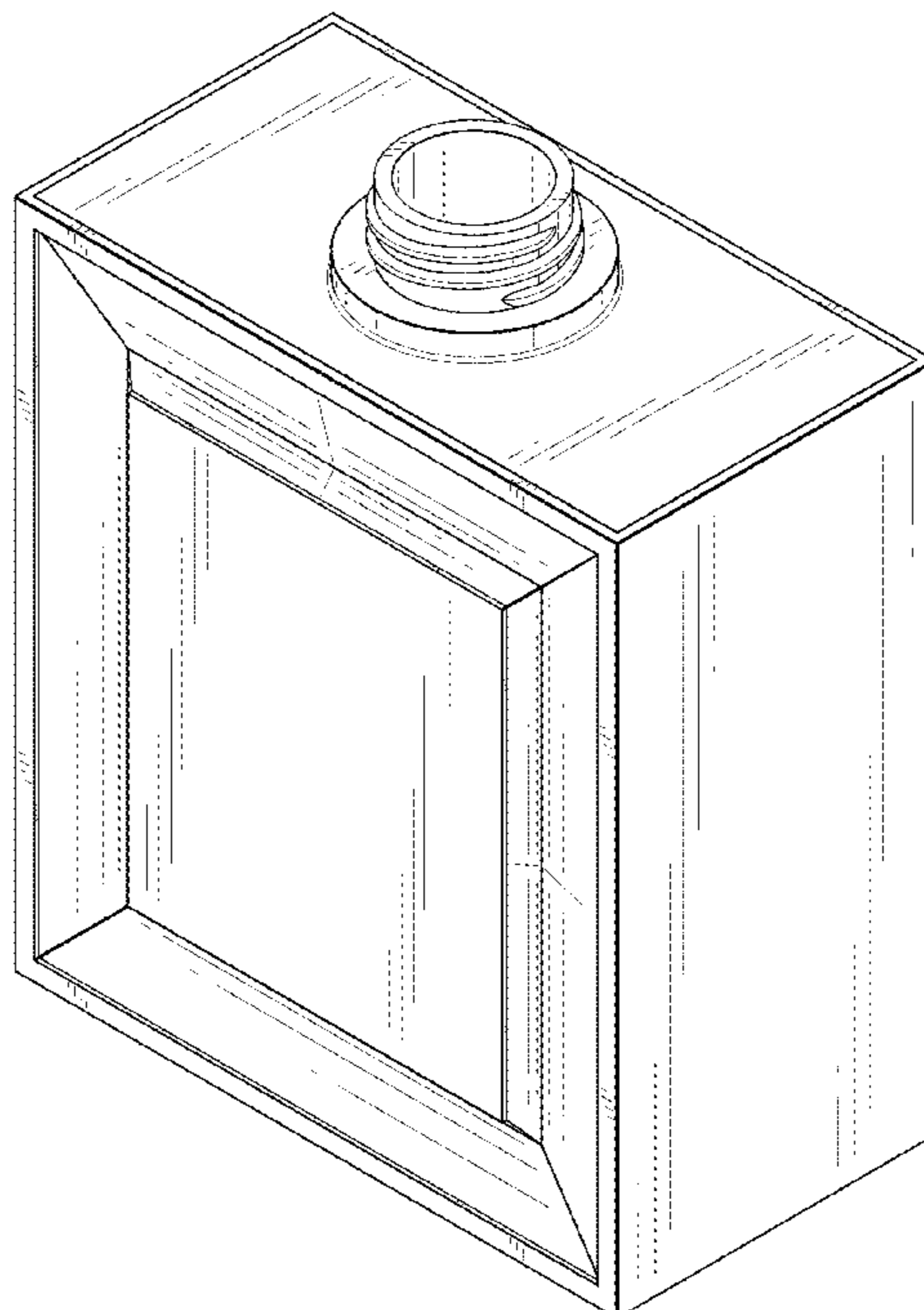
CPC B65D 1/0223; B65D 2501/0036; B65D
79/005; B65D 23/102; B65D 2501/0027;
B65D 23/0814; B65D 1/0233; B65D
1/095; B65D 2251/023; B65D 2255/20;
B65D 41/0485; B65D 47/122; B65D
1/00; B65D 1/02; B65D 1/07; B65D
1/0023; B65D 1/10; B65D 23/00; B65D
2501/00; B65D 2501/0009; B65D 33/00;
B65D 75/5872; B65C 3/08; A45D
2034/002; A45D 34/045

DESCRIPTION

FIG. 1 is a perspective view of a cosmetic container showing my new design;
FIG. 2 is a front elevational view thereof;
FIG. 3 is a rear elevational view thereof;
FIG. 4 is a left side elevational view thereof;
FIG. 5 is a right side elevational view thereof;
FIG. 6 is a top plan view thereof; and,
FIG. 7 is a bottom plan view thereof.
The broken lines are for illustrating portions of the article which form no part of the claimed design.

See application file for complete search history.

1 Claim, 6 Drawing Sheets



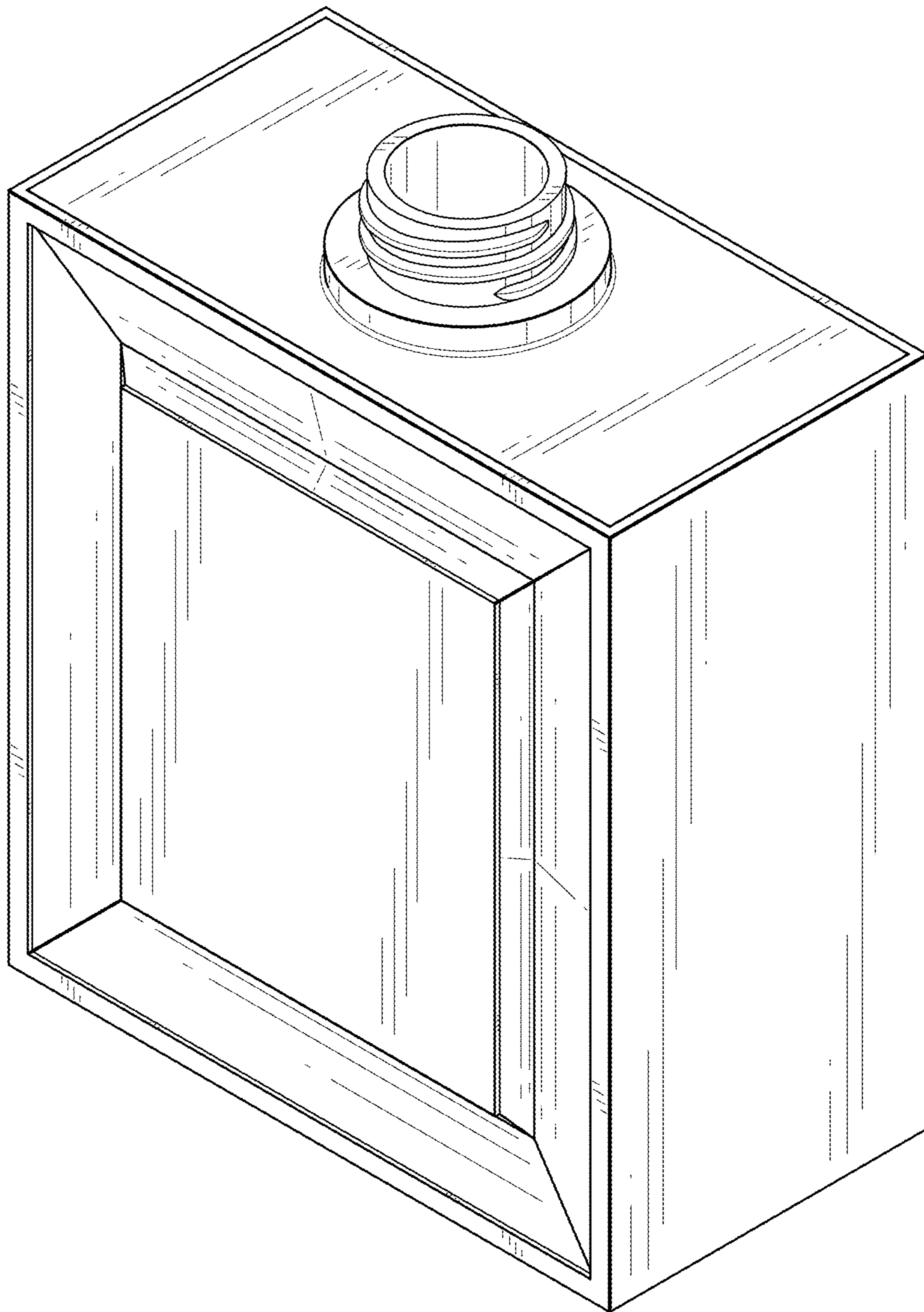


FIG. 1

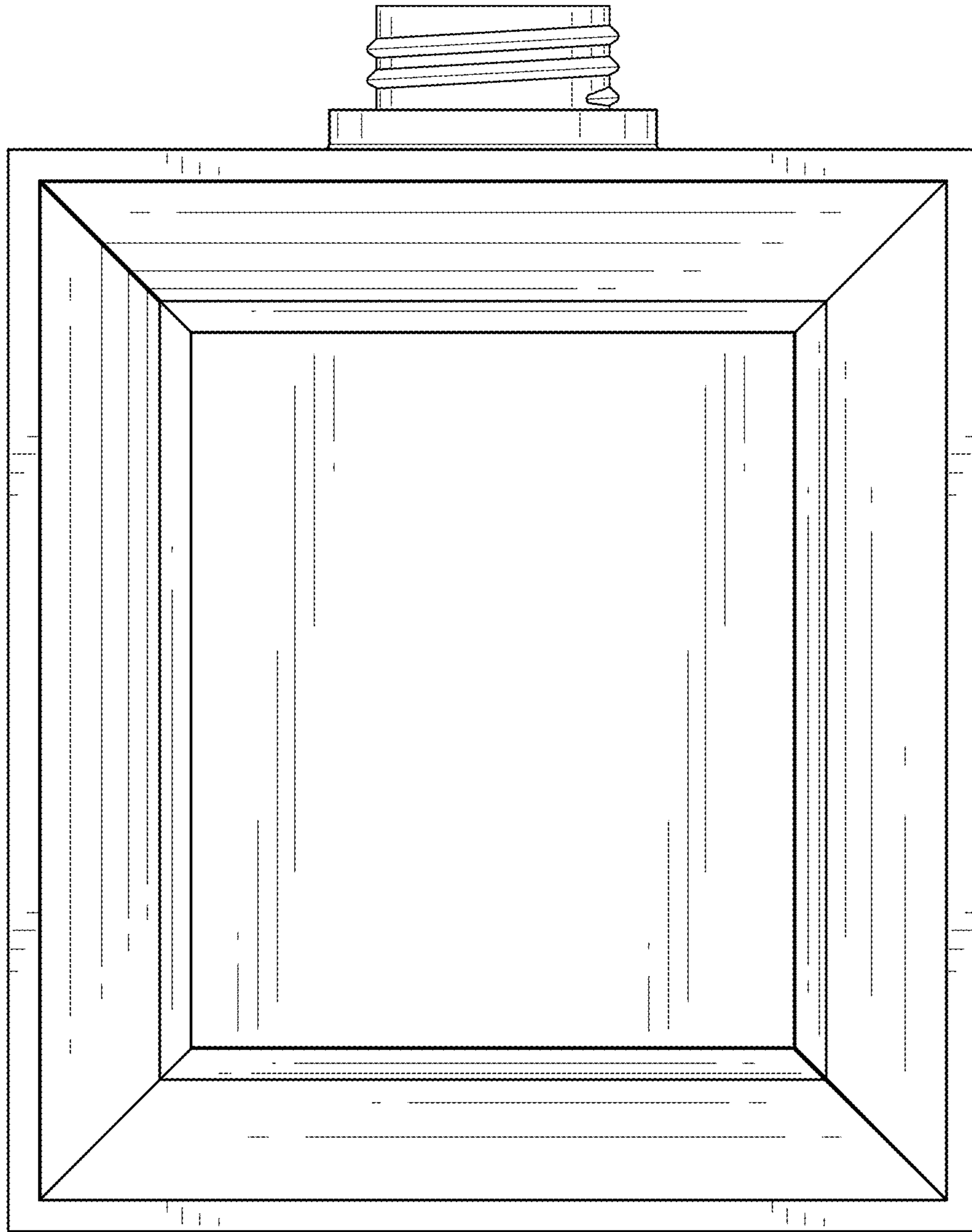


FIG.2

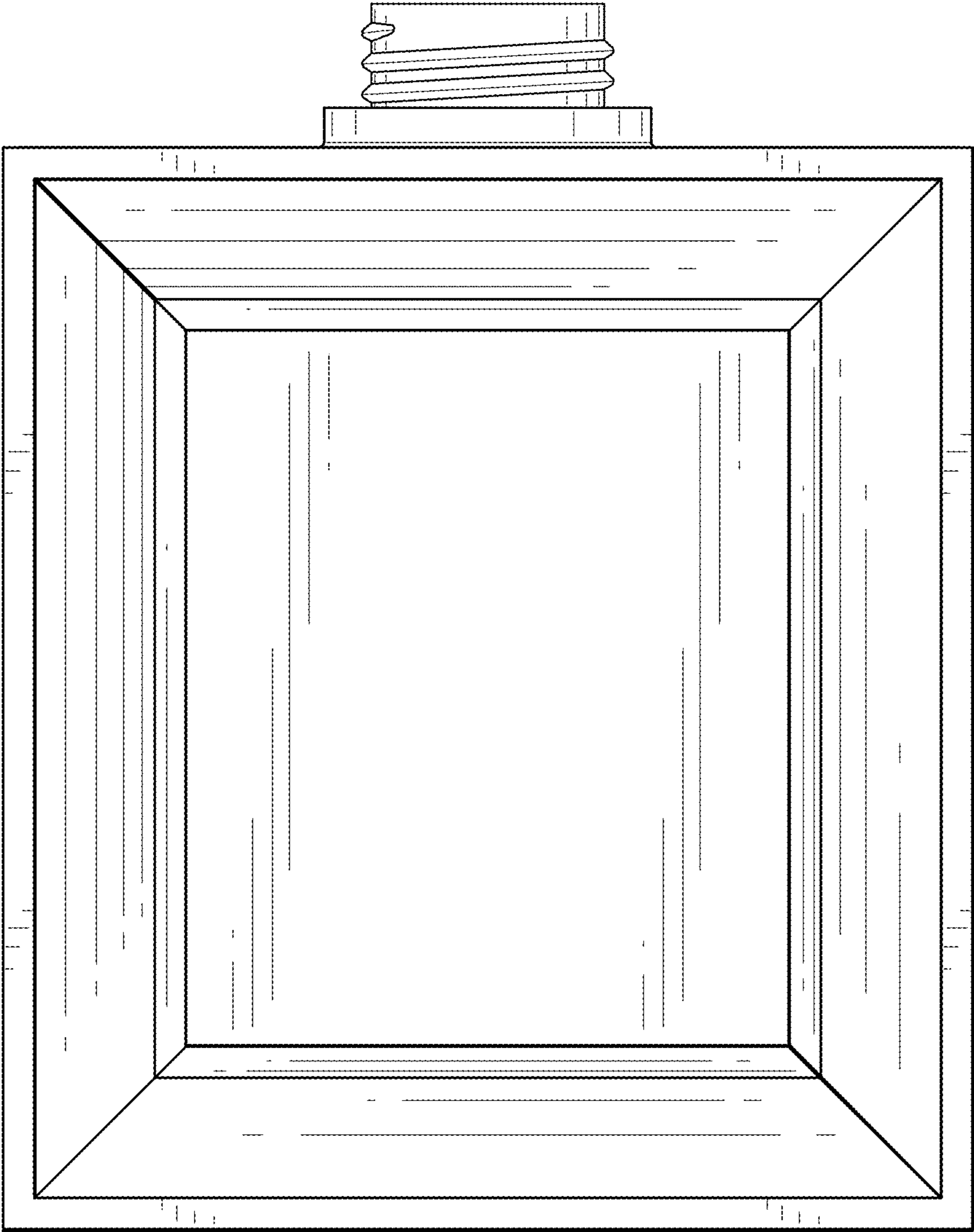


FIG.3

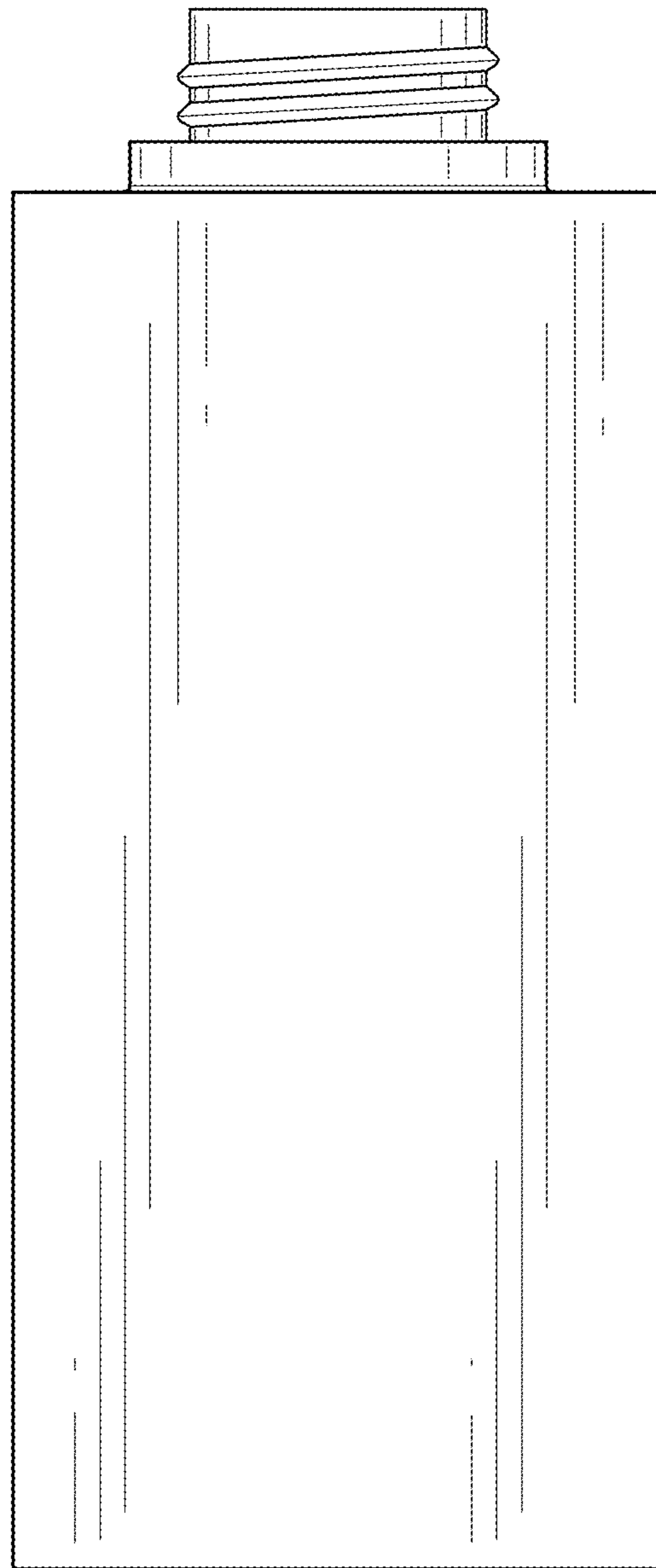


FIG.4

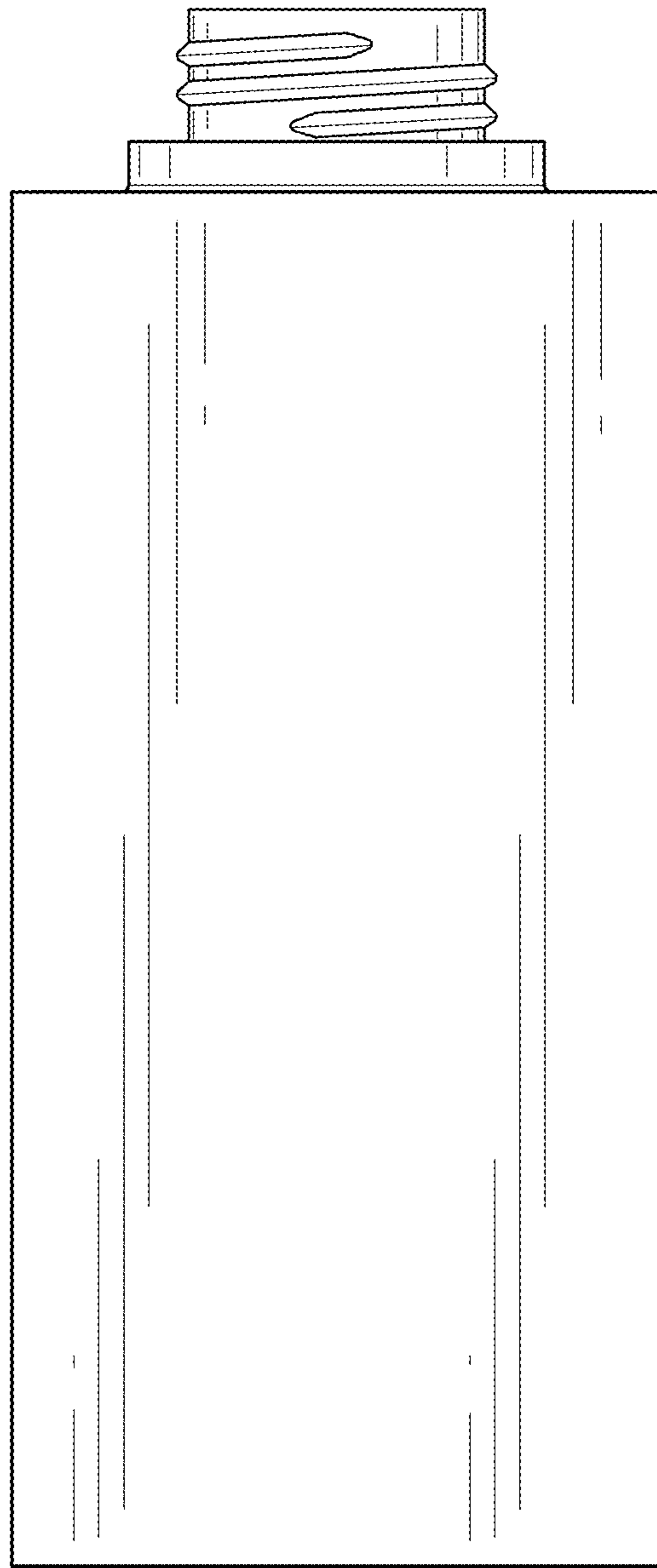


FIG.5

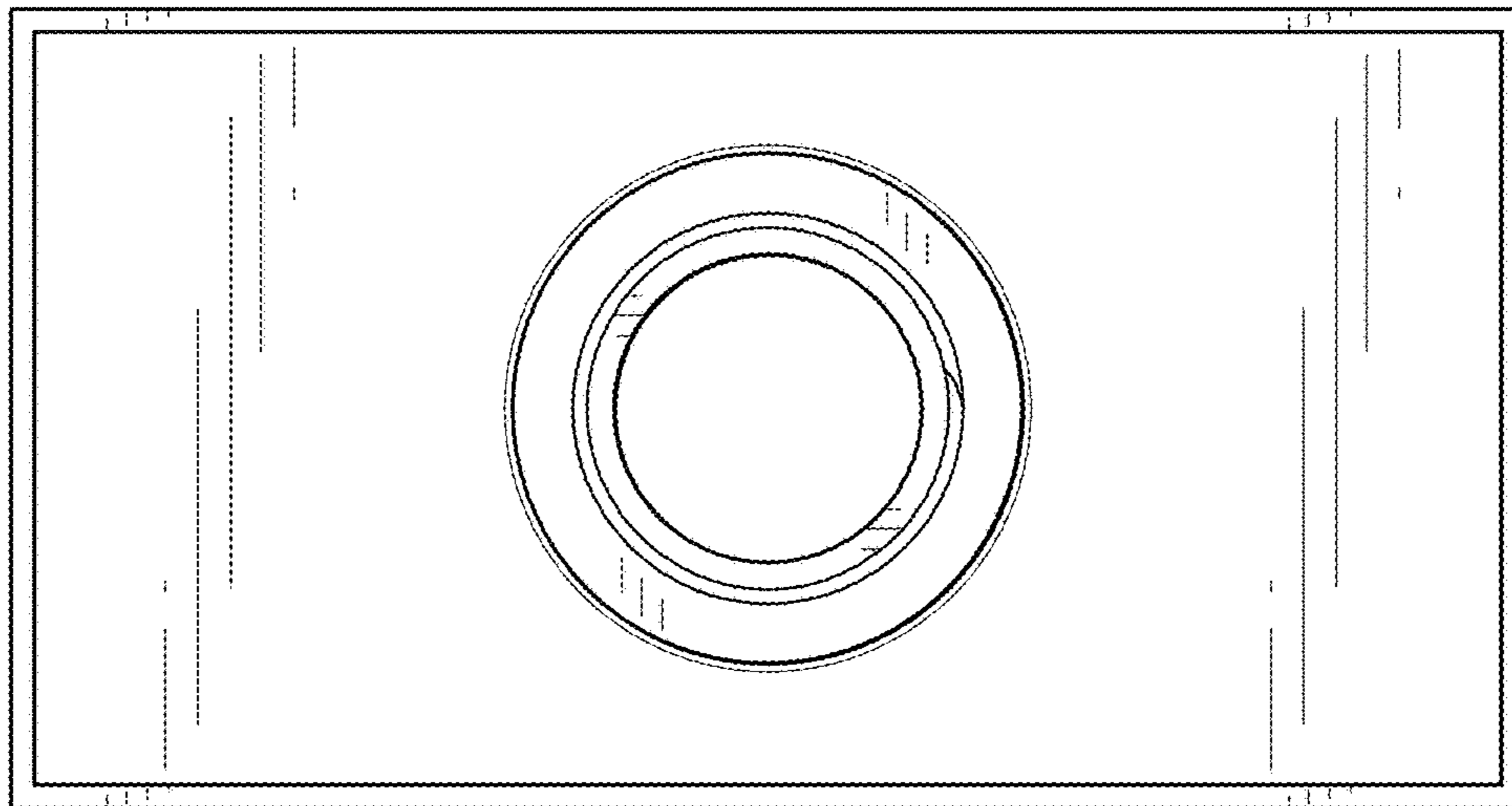


FIG. 6

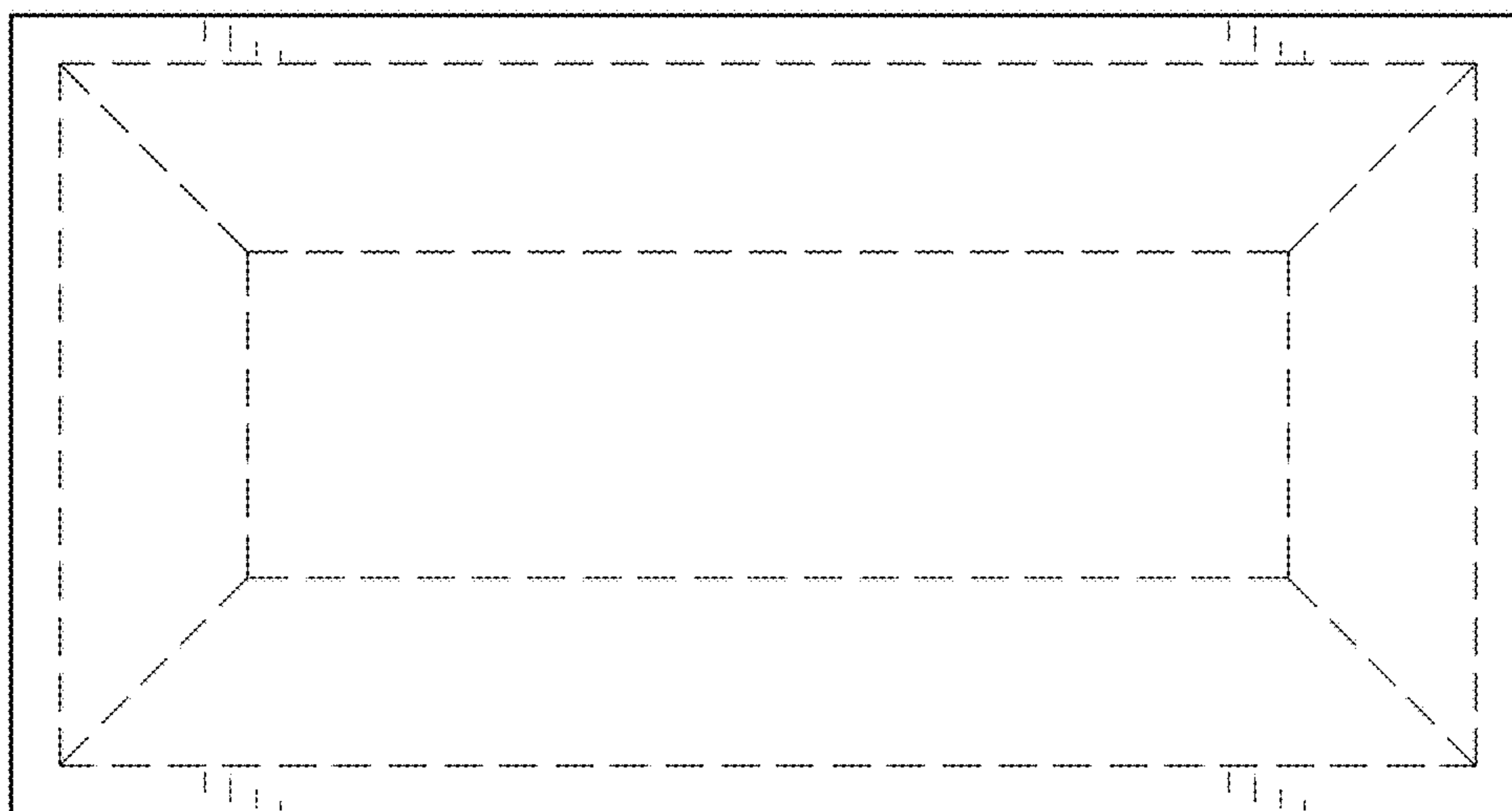


FIG. 7