



US00D798725S

(12) **United States Design Patent** (10) **Patent No.:** **US D798,725 S**  
**Stoiber** (45) **Date of Patent:** **\*\* Oct. 3, 2017**

(54) **WATER BOTTLE**  
(71) Applicant: **Authentic Waters B.C. Ltd.**, Whistler (CA)  
(72) Inventor: **Matthew Stoiber**, Whistler (CA)  
(73) Assignee: **AUTHENTIC WATERS B.C. LTD.**, Whistler, BC (CA)

D543,867 S \* 6/2007 Yourist ..... D9/532  
D562,686 S \* 2/2008 Fukuda ..... D9/454  
D655,180 S \* 3/2012 Kraft ..... D9/560  
2001/0054597 A1\* 12/2001 Ozawa ..... B65D 1/0223  
215/381  
2011/0049085 A1\* 3/2011 Lembke ..... B65D 1/0276  
215/382  
2012/0248003 A1\* 10/2012 Hunter ..... B65D 1/0246  
206/524.6

(\*\*) Term: **15 Years**

(21) Appl. No.: **29/543,072**

(22) Filed: **Oct. 20, 2015**

(51) **LOC (10) Cl.** ..... **09-01**

(52) **U.S. Cl.**  
USPC ..... **D9/560**

(58) **Field of Classification Search**  
USPC ..... D9/516, 522, 530, 543, 549, 558, 560,  
D9/564, 565, 569, 572, 573; 132/293;  
215/381-385, 396, 398; 220/296, 288,  
220/300, 669, 675  
CPC ..... B65D 1/00; B65D 1/02; B65D 1/0223;  
B65D 1/0246; B65D 41/00; B65D 41/02;  
B65D 41/04; B65D 2501/00; B65D  
2501/0009

See application file for complete search history.

(56) **References Cited**

**U.S. PATENT DOCUMENTS**

D361,938 S \* 9/1995 Sawa ..... D9/560  
D534,073 S \* 12/2006 Stillerud ..... D9/560  
D535,566 S \* 1/2007 Lin ..... D9/453

**OTHER PUBLICATIONS**

Kirin Gogo No Kocha Tea Bottle, announced Apr. 2013, [online], site visited Dec. 22, 2016. Available from Internet, <URL: <http://www.japantrends.com>>.\*

\* cited by examiner

*Primary Examiner* — Derrick Holland

*Assistant Examiner* — Janice Lim

(74) *Attorney, Agent, or Firm* — Oyen Wiggs Green & Mutala LLP

(57) **CLAIM**

I claim the ornamental design for a water bottle, as shown and described.

**DESCRIPTION**

FIG. 1 is a top perspective view of a water bottle, showing our new design;

FIG. 2 is a bottom perspective view of the water bottle;

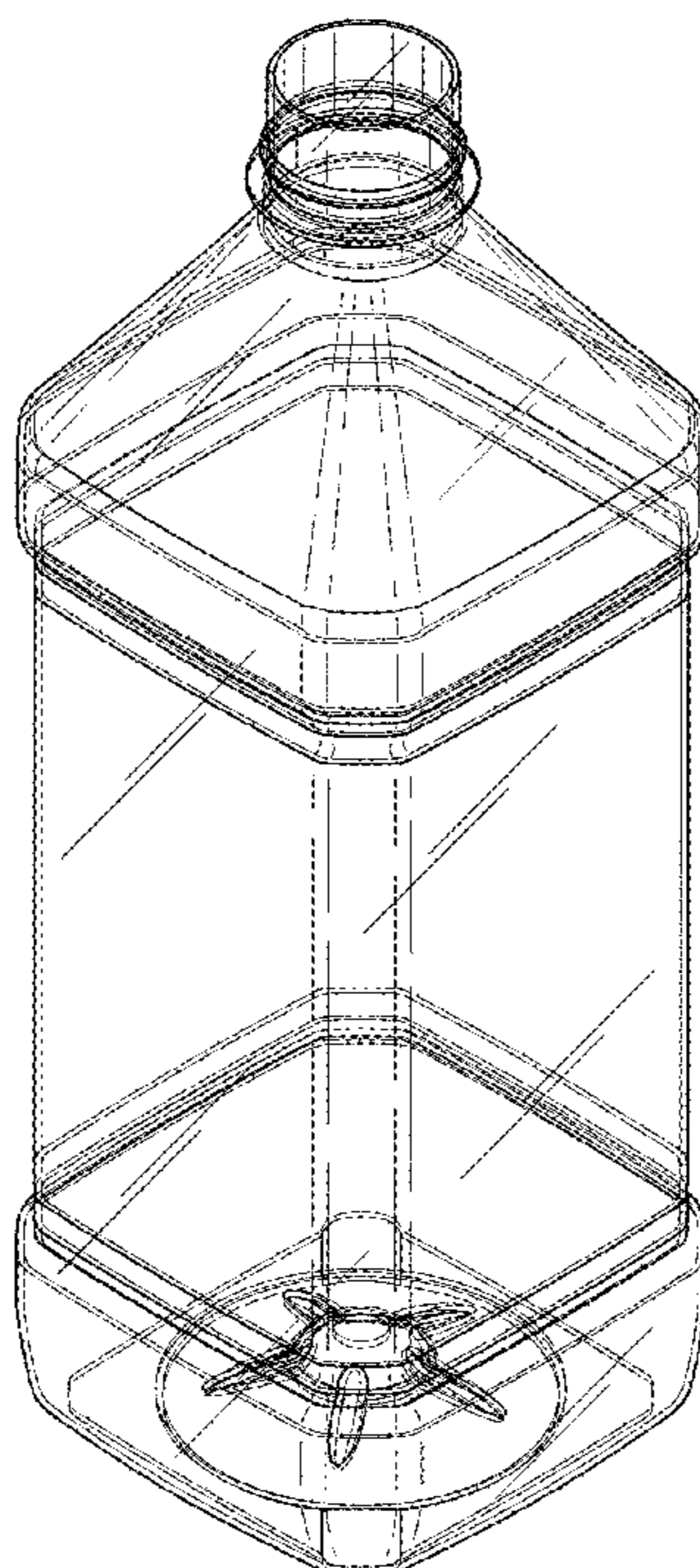
FIG. 3 is a front elevation view of the water bottle;

FIG. 4 is a side elevation view of the water bottle;

FIG. 5 is a top plan view of the water bottle; and,

FIG. 6 is a bottom plan view of the water bottle.

**1 Claim, 5 Drawing Sheets**



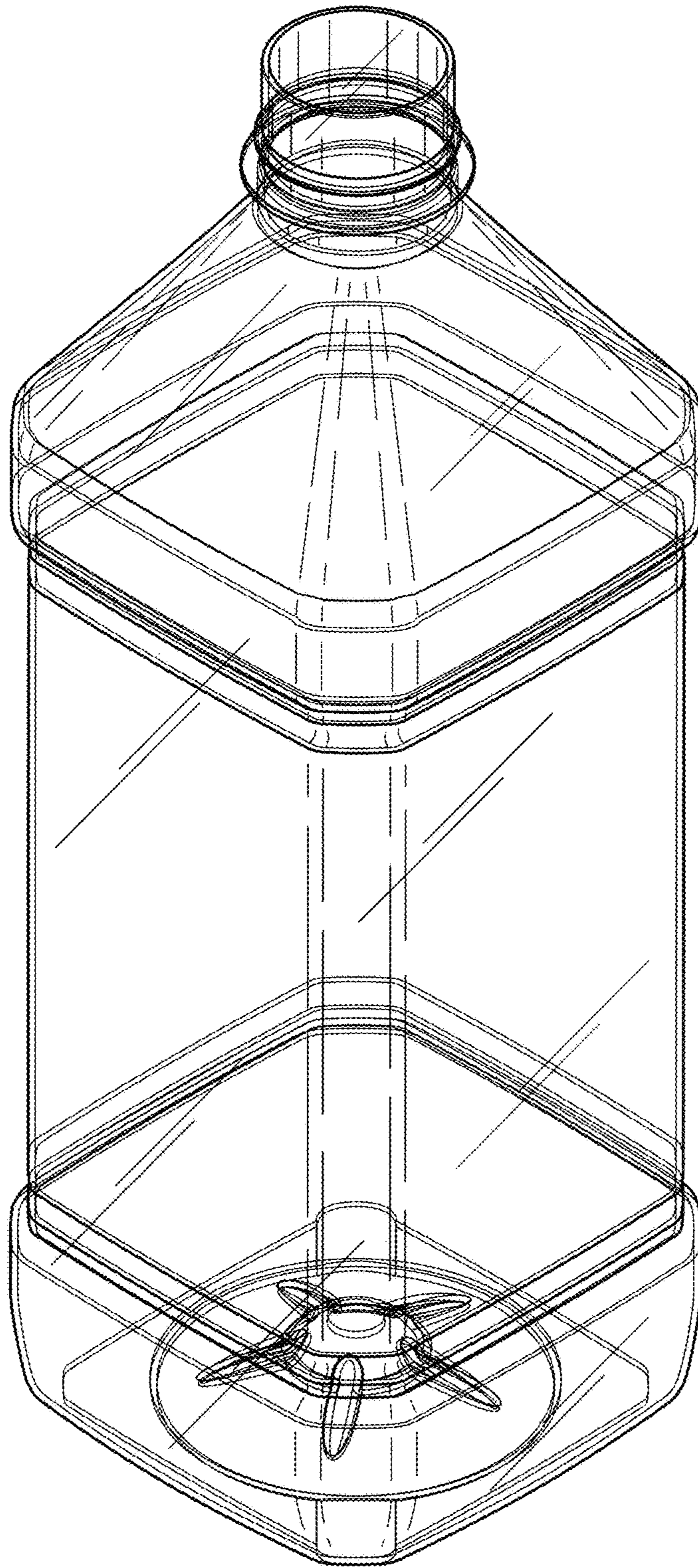


FIG. 1

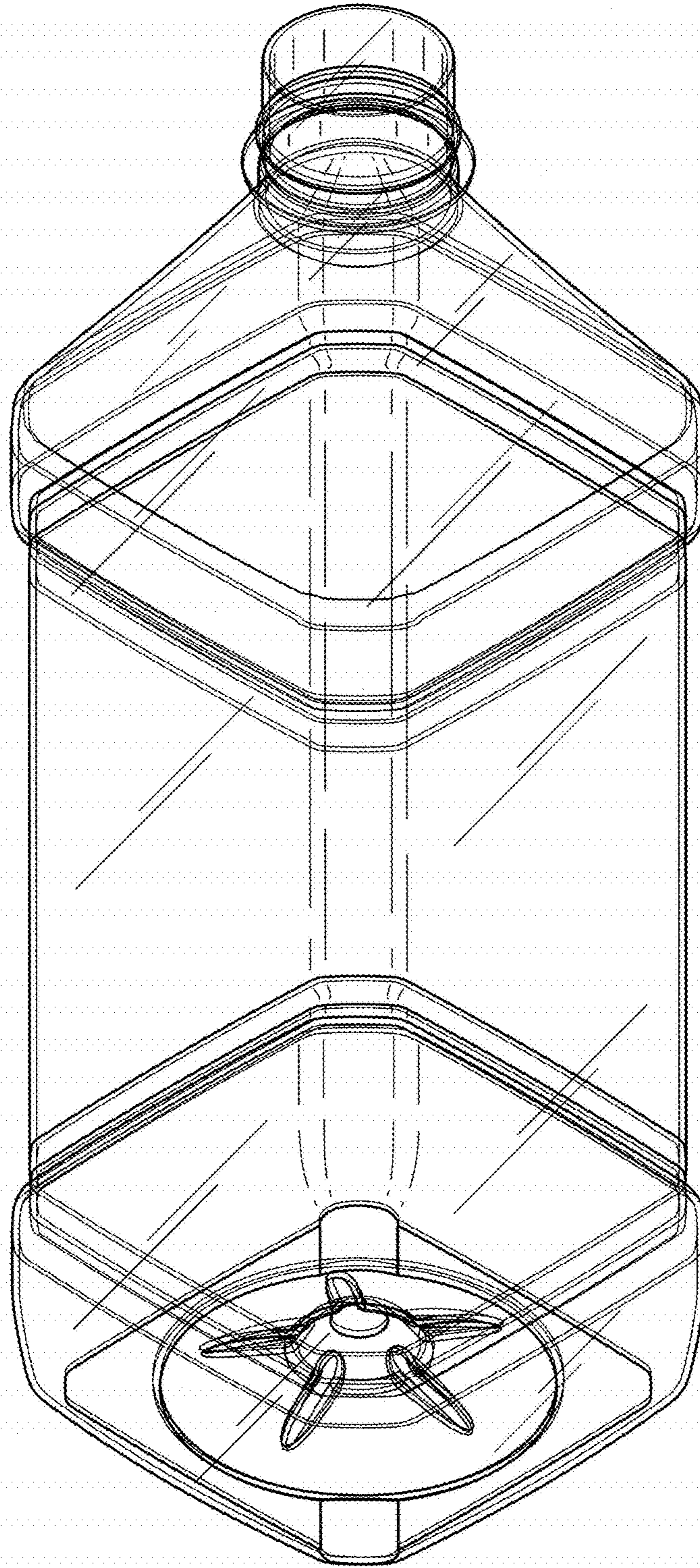


FIG. 2

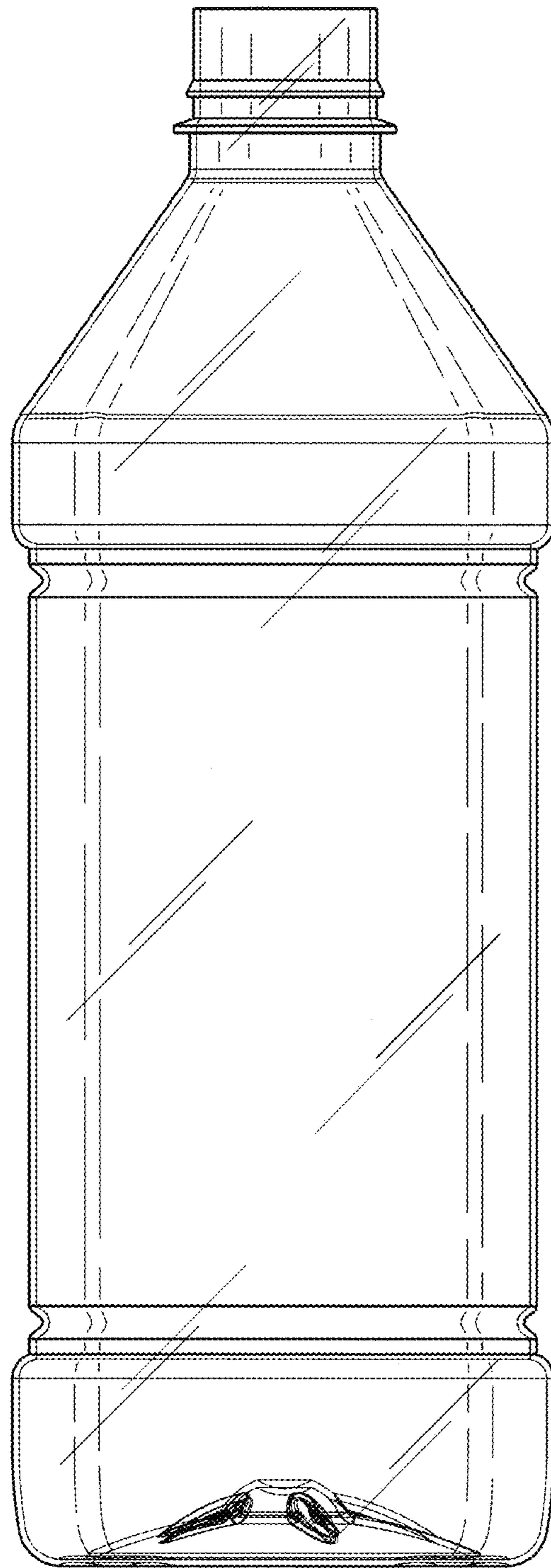


FIG. 3

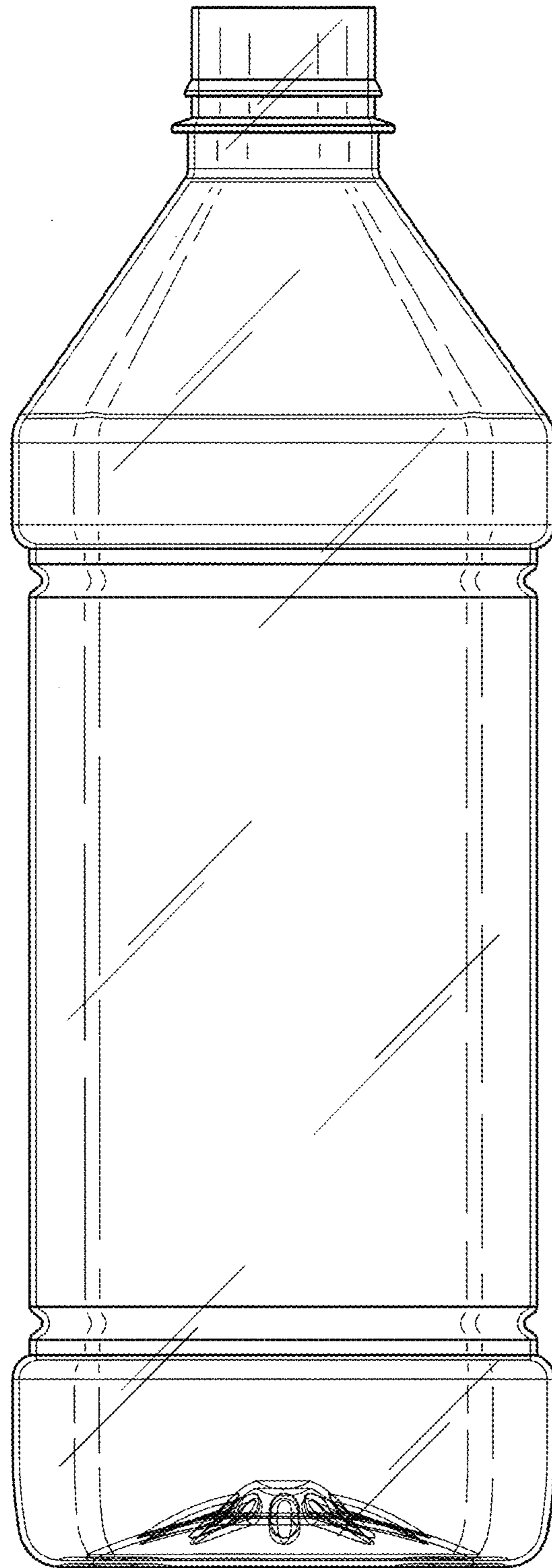


FIG. 4

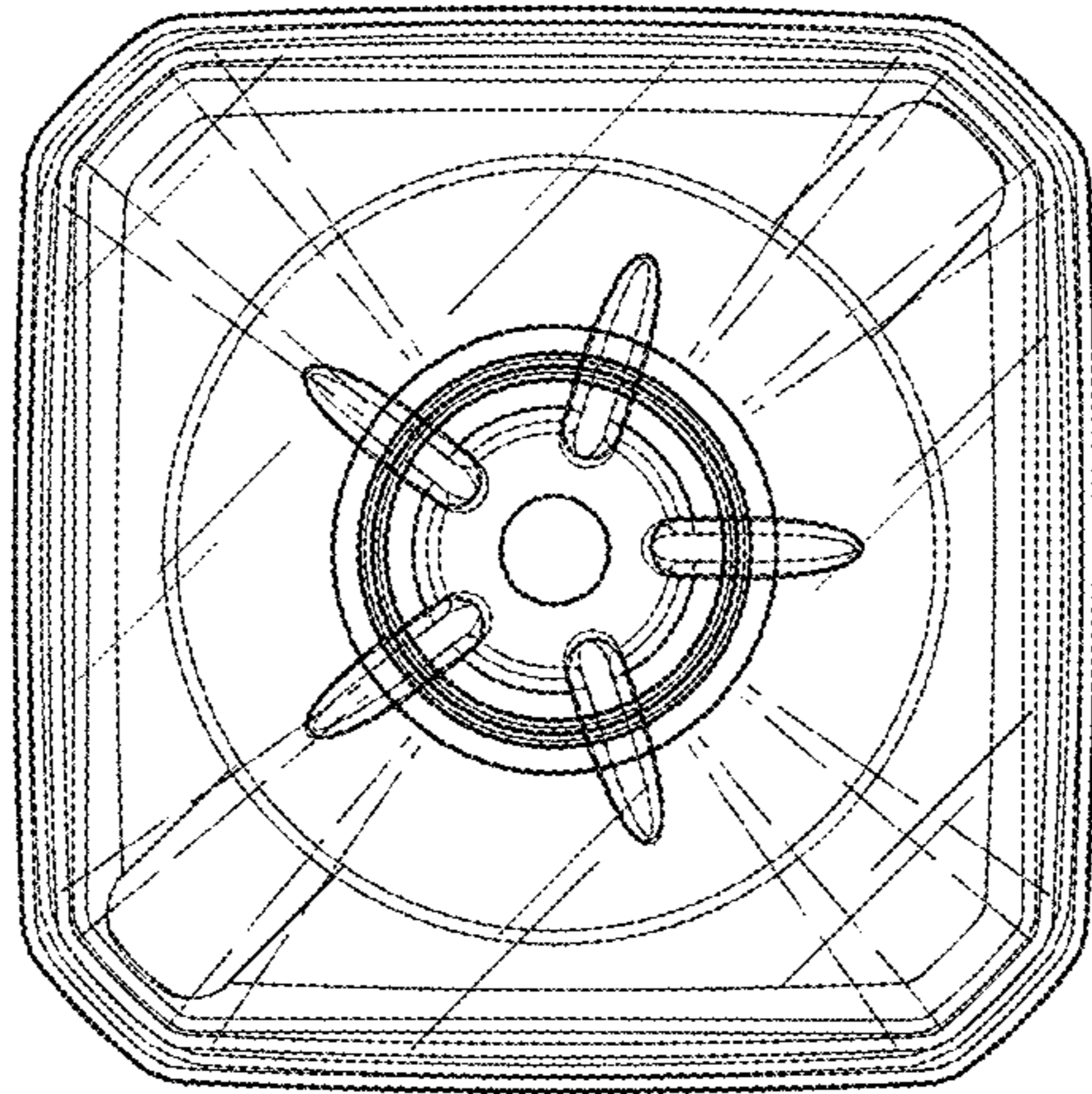


FIG. 5

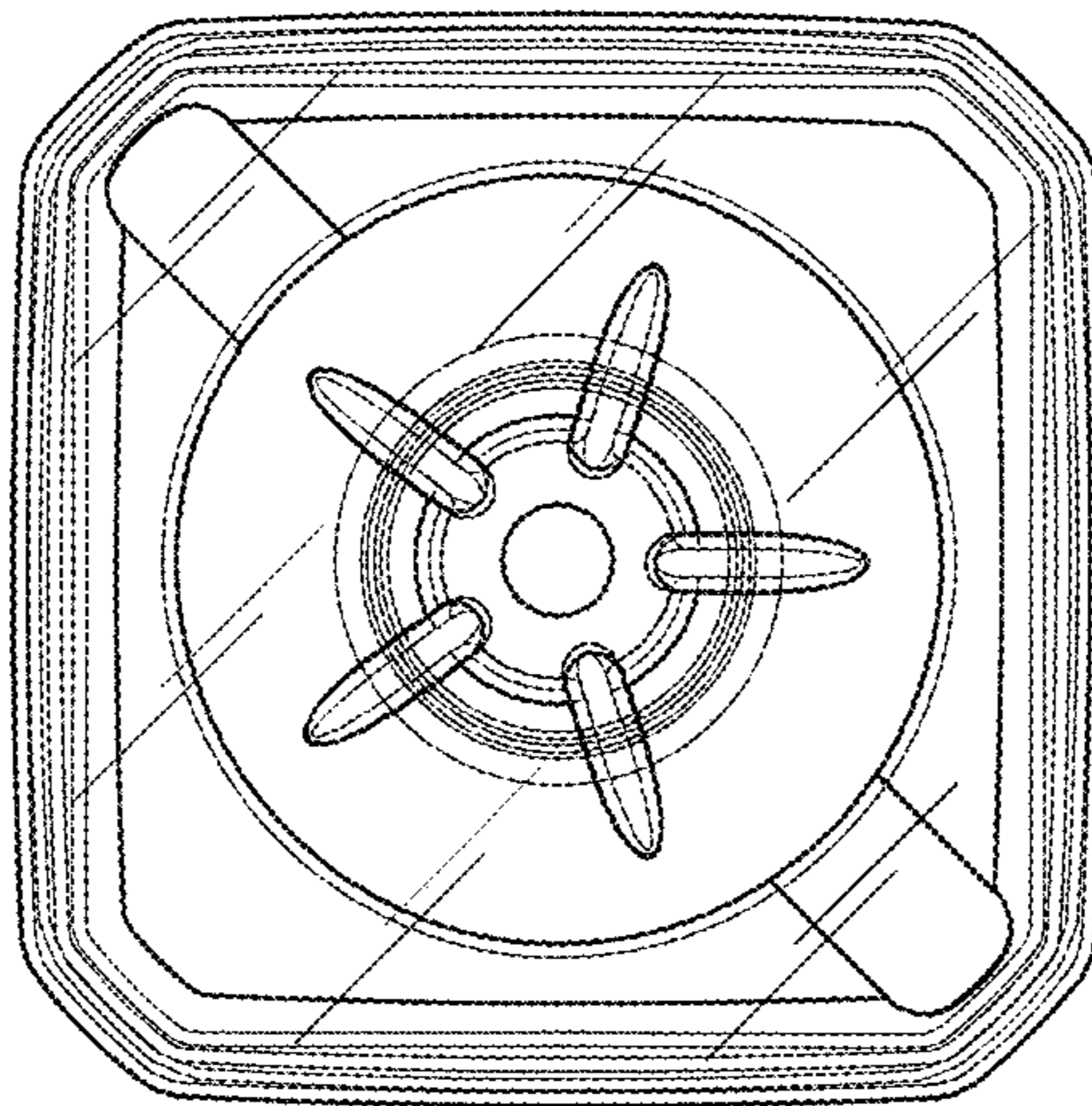


FIG. 6