

US00D798724S

(12) **United States Design Patent** (10) **Patent No.:** **US D798,724 S**
Zelenkov (45) **Date of Patent:** **** Oct. 3, 2017**

(54) **BOTTLE**
(71) Applicant: **Alexander Semenovich Zelenkov**,
Minsk (BY)
(72) Inventor: **Alexander Semenovich Zelenkov**,
Minsk (BY)
(73) Assignee: **OOO “ZAVOD BULBASM
MINSUAYA” (BY)**
(**) Term: **15 Years**
(21) Appl. No.: **29/561,639**
(22) Filed: **Apr. 18, 2016**
(51) **LOC (10) Cl.** **09-01**
(52) **U.S. Cl.**
USPC **D9/542; D9/543; D9/563; D9/572**
(58) **Field of Classification Search**
USPC **D6/528; D7/509, 527, 529;**
D9/500–505, 516, 519, 523, 525, 529,
D9/535–537, 539, 544–546, 549, 550,
D9/554–556, 558, 559, 563, 565, 568,
D9/569, 572–575, 772, 776, 778, 779;
D11/143, 146, 152, 154, 156
CPC **B65D 1/02**
See application file for complete search history.

D688,133 S * 8/2013 Reynolds D9/542
D692,306 S * 10/2013 Lee D9/541
D714,156 S * 9/2014 Lauret D9/560
D716,659 S * 11/2014 Thompson D9/500
D723,372 S * 3/2015 Lecetre D9/516
D724,952 S * 3/2015 Humm D9/454
D766,092 S * 9/2016 Maillet D9/544
D778,726 S * 2/2017 Morazzoni D9/500
D784,141 S * 4/2017 Lec tre D9/516
D785,465 S * 5/2017 Ozburn D9/715

OTHER PUBLICATIONS

Olympia & Washington Style Flasks, posted on sha.org, posted Nov. 20, 2016, produced Aug. 9, 1898, [online], [site visited May 6, 2017], Available from Internet, <URL: <https://sha.org/bottle/liquor.htm>>.*

(Continued)

Primary Examiner — Melanie H Tung
Assistant Examiner — Fritzgerald Butac
(74) *Attorney, Agent, or Firm* — Inventa Capital PLC

(57) **CLAIM**

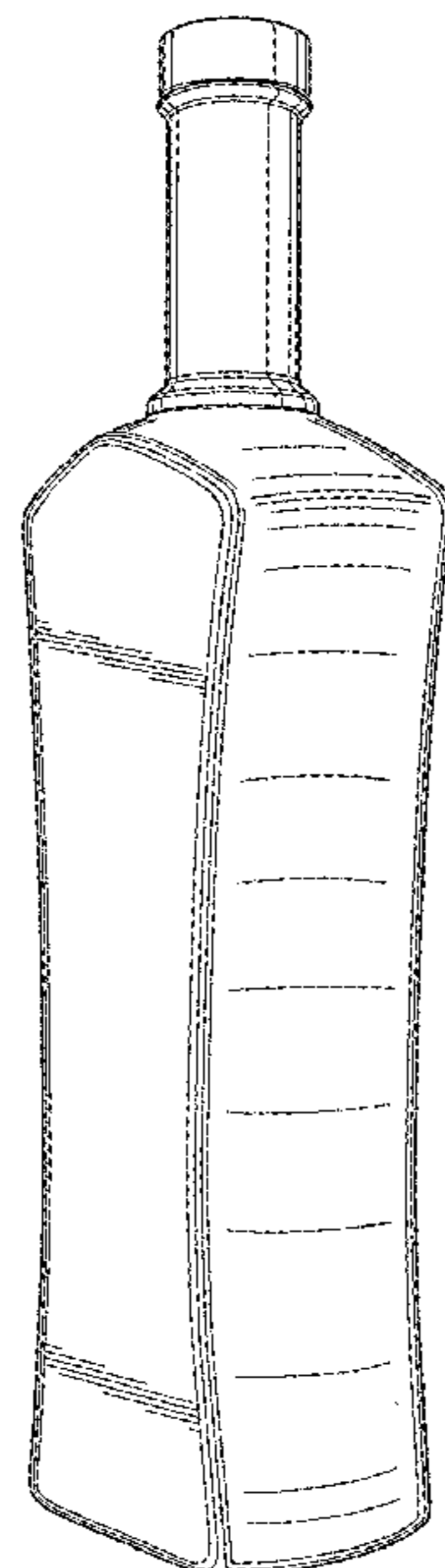
I claim the ornamental design for a bottle, as shown and described.

DESCRIPTION

This design application claims priority to Belorussian design application number 20150166 filed on Oct. 19, 2015 and incorporated herewith by reference in its entirety. FIG. 1 is a front view of a bottle of the present invention; FIG. 2 is a right side view of the bottle; FIG. 3 is a left side view of the bottle; FIG. 4 is a rear view of the bottle; FIG. 5 is a top view of the bottle; FIG. 6 is a bottom view of the bottle; and, FIG. 7 is a perspective view of the bottle.

1 Claim, 4 Drawing Sheets

(56) **References Cited**
U.S. PATENT DOCUMENTS
D448,306 S * 9/2001 de Giovellina D9/560
D486,072 S * 2/2004 Potocki D9/567
D544,365 S * 6/2007 Werner D9/520
D545,213 S * 6/2007 Werner D9/520
D561,033 S * 2/2008 Pritchett, Jr. D9/530
D612,258 S * 3/2010 Rica D9/565
D630,100 S * 1/2011 Wanet D9/544
D688,132 S * 8/2013 Reynolds D9/542



(56)

References Cited

OTHER PUBLICATIONS

Standard Russian Vodka glass bottle, posted on alibaba.com, no posted date given, no production date given, [online], [site visited May 6, 2017], Available from Internet, <URL: https://www.alibaba.com/product-detail/hot-sale-wholesale-standard-russian-empty_60067318423.html>.*

Flagship, posted on alibaba.com, no posted date given, no production date given, [online], [site visited May 6, 2017], Available from Internet, <URL: https://www.alibaba.com/product-detail/FLAGSHIP_115741958.html>.*

* cited by examiner

FIG. 1

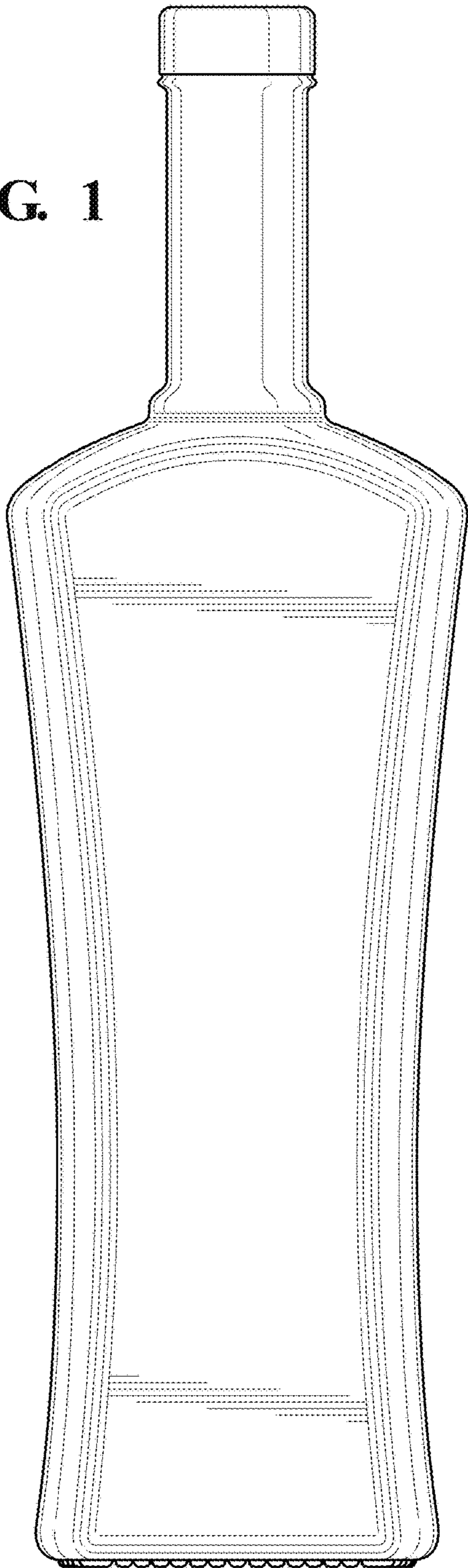


FIG. 2

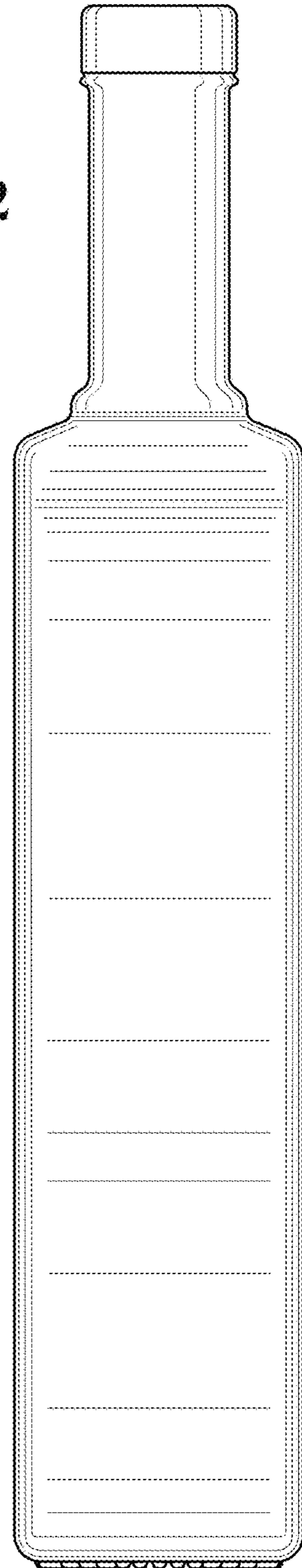


FIG. 3

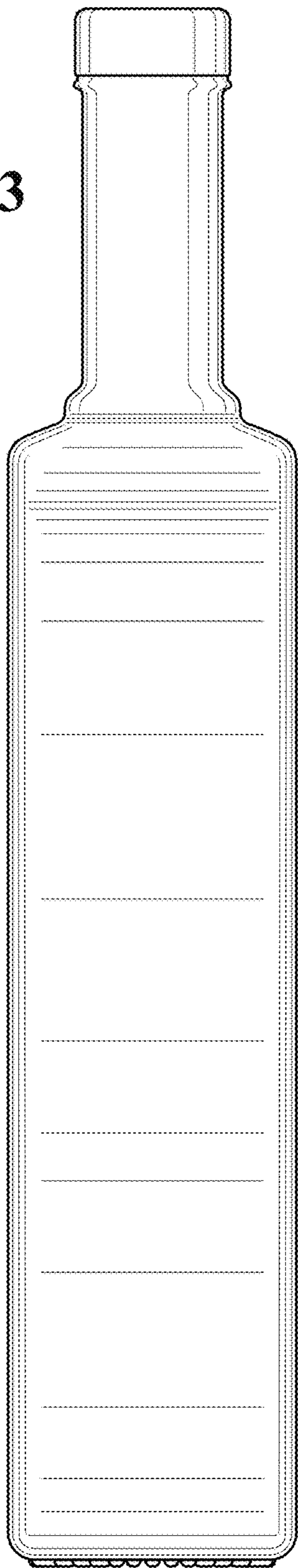
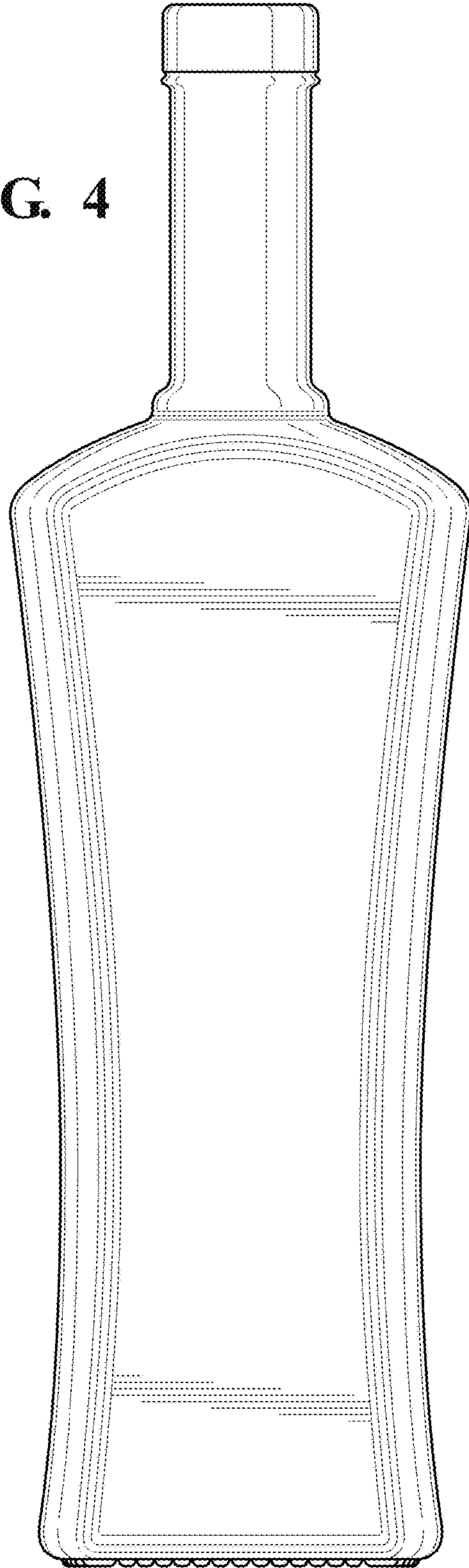


FIG. 4



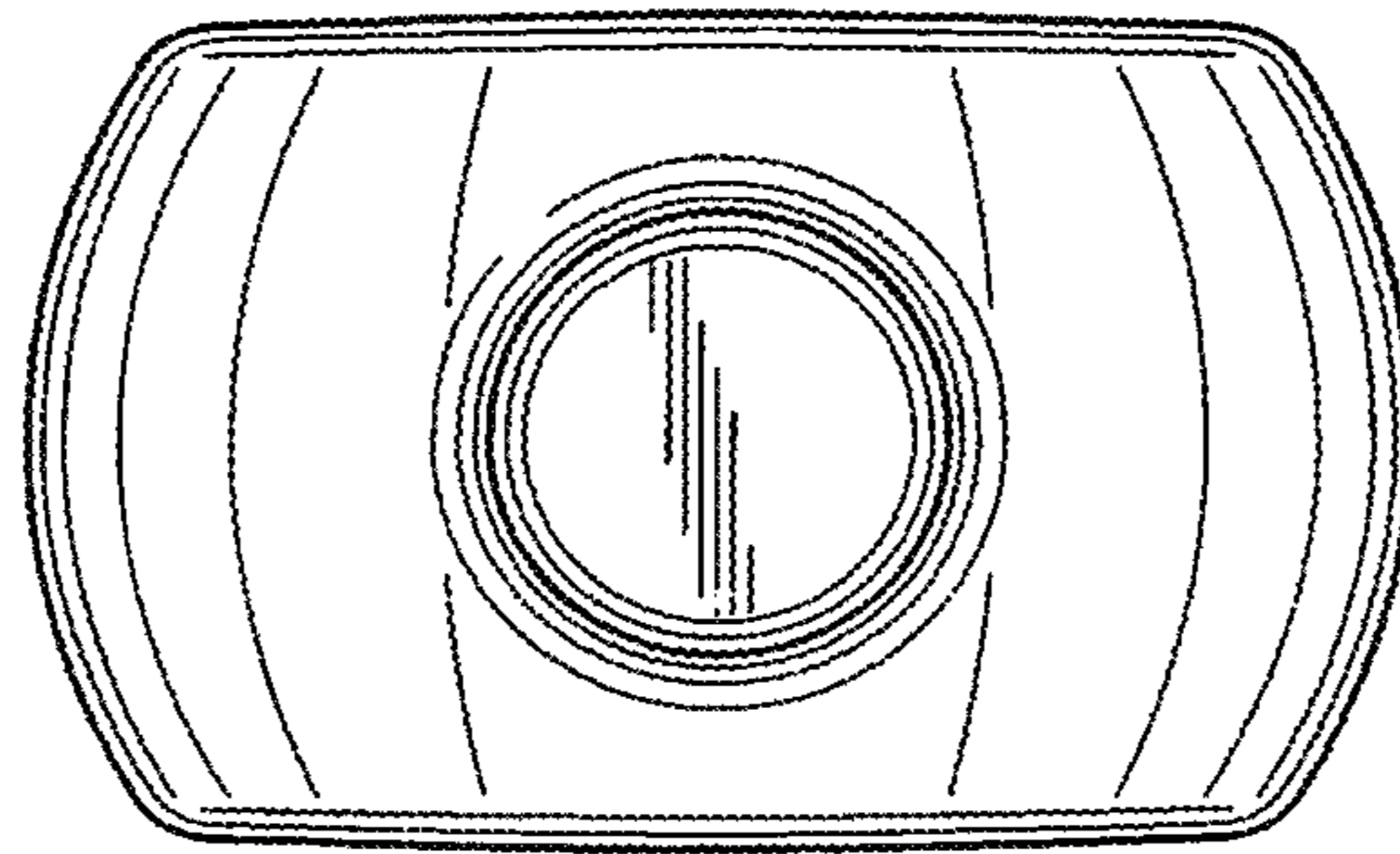


FIG. 5

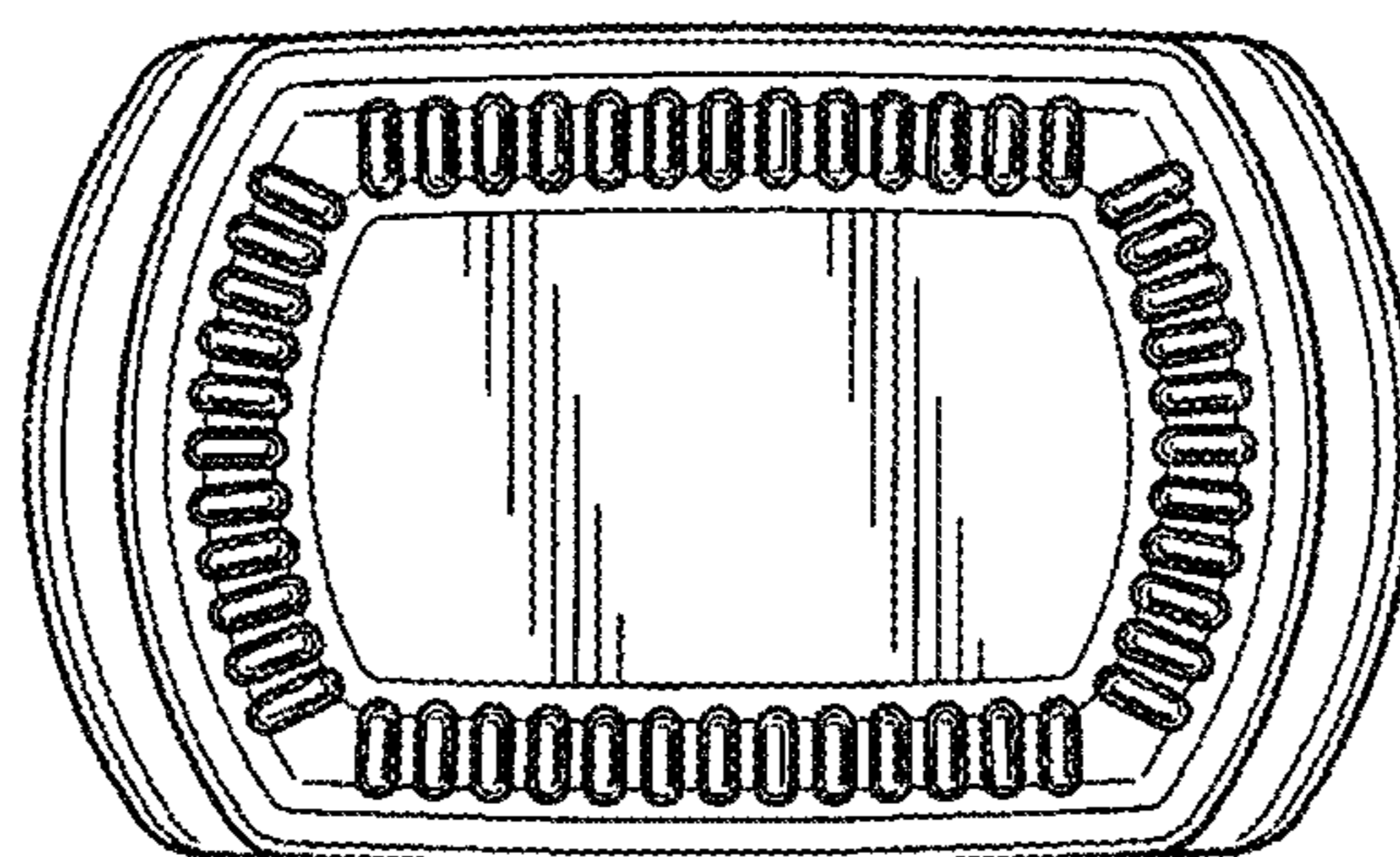


FIG. 6

FIG. 7

