



US00D798720S

(12) **United States Design Patent**
Logel et al.

(10) **Patent No.:** **US D798,720 S**
(45) **Date of Patent:** **** *Oct. 3, 2017**

- (54) **CONTAINER**
- (71) Applicant: **Clariant Production (France) SAS**,
Trosly Breuil (FR)
- (72) Inventors: **Valère Logel**, Levallois Perret (FR);
Jacquy Lebon, Challands (FR);
Caroline Pot, Montgeron (FR)
- (73) Assignee: **CLARIANT PRODUCTION (France)**
SAS, Trosly Breuil (FR)
- (*) Notice: This patent is subject to a terminal disclaimer.
- (**) Term: **14 Years**
- (21) Appl. No.: **29/489,583**
- (22) Filed: **Apr. 30, 2014**
- (30) **Foreign Application Priority Data**

- Oct. 31, 2013 (EM) 002336396
- (51) **LOC (10) Cl.** **09-01**
- (52) **U.S. Cl.**
USPC **D9/516**
- (58) **Field of Classification Search**
USPC D9/500, 502-504, 516, 549-558, 575,
D9/414, 417, 424-425, 428; D24/224;
D7/629-630
CPC B65D 1/00; B65D 1/02; B65D 1/0223;
B65D 23/00; B65D 81/00; B65D
2501/00; B65D 2501/0009
See application file for complete search history.

(56) **References Cited**

U.S. PATENT DOCUMENTS

D28,746 S	5/1898	Blount
D30,094 S	1/1899	Busch
D30,338 S	3/1899	Mann
D32,681 S	5/1900	Morgenthaler
D45,242 S	2/1914	Schulhoff
D136,321 S	9/1942	Voglesong

- 2,765,832 A * 10/1956 Tupper A47J 43/0727
220/659
- 2,816,589 A * 12/1957 Tupper A47G 19/30
220/305
- 3,276,626 A 10/1966 Stevens
(Continued)

FOREIGN PATENT DOCUMENTS

- CN 303167267 4/2015
- CN 303516927 12/2015
(Continued)

OTHER PUBLICATIONS

Container w/ Lid. Jan. 23, 2014, visited Sep. 26, 2016. <URL:http://www.webstaurantstore.com/2-qt-microwavable-translucent-plastic-deli-container-with-lid-1 0-pack/1286064%20%20%20%20%20COMBOKIT.html?utm_source=Google&utm_medium=cpc&utm_campaign=GoogleShoppin g&gclid=CjwKEAju97K_BRCwmNTK26iM-hMSJABrkNtbsDXaq7mPh36UHz-gOuSl8fnp85mFStl3kFG47xTlfrRoCfETw_wcB>.
(Continued)

Primary Examiner — Dana L Meyrow
(74) *Attorney, Agent, or Firm* — Knobbe Martens Olson & Bear LLP

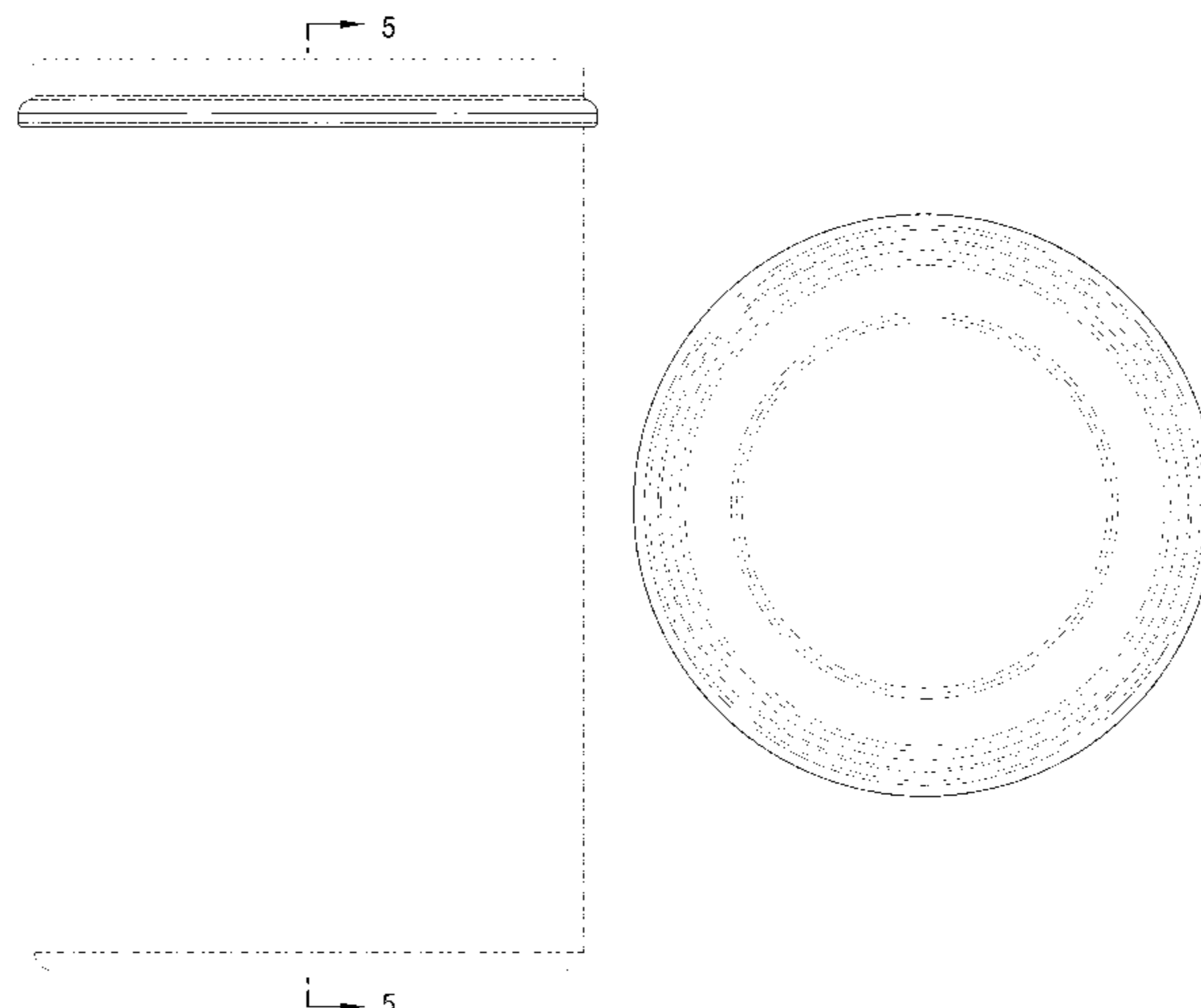
(57) **CLAIM**

We claim the ornamental design for a container, as shown and described.

DESCRIPTION

FIG. 1 is a top perspective view of a container showing our new design;
FIG. 2 is a side elevation view thereof;
FIG. 3 is a bottom plan view thereof;
FIG. 4 is a top plan view thereof; and,
FIG. 5 is a cross-sectional view thereof, taken in the direction of line 5-5 in the FIG. 2 drawing view.
The broken lines in the drawings illustrate the portions of the container that form no part of the claim.

1 Claim, 5 Drawing Sheets



(56)

References Cited

U.S. PATENT DOCUMENTS

3,369,694 A * 2/1968 Mauser B65D 21/0219
206/508
3,451,328 A * 6/1969 Swett A47J 47/10
206/493
D214,997 S * 8/1969 Churan D34/39
D215,417 S 9/1969 MacDonald
3,529,531 A * 9/1970 Swett A47G 19/30
206/525
D219,265 S * 11/1970 Churan D34/39
D220,448 S * 4/1971 Swett et al. D7/542
D228,542 S * 10/1973 Swett D7/629
D239,999 S * 5/1976 Christain D7/584
D250,870 S * 1/1979 Stahel D7/629
D278,800 S * 5/1985 Bowen D9/500
D279,651 S 7/1985 Freeman
4,550,844 A 11/1985 Lininger
D287,824 S * 1/1987 Rayner D9/500
D287,825 S * 1/1987 Rayner D34/39
D306,408 S 3/1990 Umbeck
4,981,230 A 1/1991 Marshall et al.
D315,309 S 3/1991 Baughman
3,017,049 A 1/1992 Powell
D338,621 S 8/1993 Balson
D348,137 S 6/1994 Campbell
5,425,467 A * 6/1995 Feer B65D 21/0219
220/281
D379,588 S 6/1997 Pledger
D401,115 S 11/1998 Huang
6,026,739 A 2/2000 Dernoga
6,056,136 A 5/2000 Taber et al.
D427,069 S 6/2000 Carter
D441,089 S 4/2001 Bhullar
D530,205 S 10/2006 Lohrman
D563,560 S 3/2008 Copeland
7,374,358 B2 5/2008 Neuner
D573,711 S 7/2008 Johnson et al.
D584,152 S 1/2009 VerWeyst
D599,655 S 9/2009 Friebe et al.
D604,608 S 11/2009 Lourenco
D604,614 S 11/2009 Janboecke
D610,008 S 2/2010 Baughmann
D613,874 S 4/2010 Lafond
D623,056 S 9/2010 Sessa
D625,190 S 10/2010 Pontes
D638,550 S 5/2011 Bedingham et al.
D641,628 S 7/2011 Baughmann
D644,337 S 8/2011 Belfance et al.
D644,739 S 9/2011 Belfance et al.
D644,740 S 9/2011 John et al.

8,051,998 B1 * 11/2011 Giraud B65D 43/162
215/261
D654,366 S 2/2012 Presche et al.
D656,236 S * 3/2012 Marechal D24/224
8,372,015 B2 2/2013 Escutia
D690,200 S 9/2013 Arand
D694,100 S 11/2013 Schneider et al.
D695,541 S 12/2013 Dunn et al.
D709,624 S * 7/2014 Baum D24/224
8,800,809 B2 8/2014 Portier
D715,507 S * 10/2014 van Pruysen D32/53
D716,653 S 11/2014 Balembois
8,875,919 B2 11/2014 Rault
D722,689 S 2/2015 Miceli
D729,010 S 5/2015 Logel et al.
D730,734 S 6/2015 Rapparini
D736,621 S 8/2015 Ivancic
D737,678 S 9/2015 Danenberg
D741,035 S * 10/2015 van Pruysen D32/53
D744,335 S 12/2015 Rigollet
D752,975 S 4/2016 Gatto
D766,716 S 9/2016 Logel
2005/0252878 A1 11/2005 Babcock
2008/0217337 A1 9/2008 Rault
2010/0051636 A1 3/2010 Logel
2010/0224646 A1 9/2010 Incorvia et al.
2010/0282783 A1 11/2010 Baughmann et al.
2011/0000930 A1 1/2011 Logel
2011/0210021 A1 9/2011 Logel
2013/0270173 A1 * 10/2013 Tortorella B01L 3/502
210/416.1
2014/0110293 A1 4/2014 Dunn et al.
2014/0319162 A1 10/2014 Bois
2015/0053579 A1 2/2015 Lebon
2015/0283031 A1 10/2015 Lanier

FOREIGN PATENT DOCUMENTS

EM 002023994-0002 4/2012
WO D067982-001 4/2006
WO D069747-001 2/2008
WO D070355-002 7/2008

OTHER PUBLICATIONS

Vacuum Sealer Advice. Best Food Storage Containers. Jan. 23, 2016 [earliest online date], [site visited Sep. 29, 2016]. Available from Internet, <URL:http://www.vacuumsealeradvice.com/best-food-storage-containers/>.

* cited by examiner

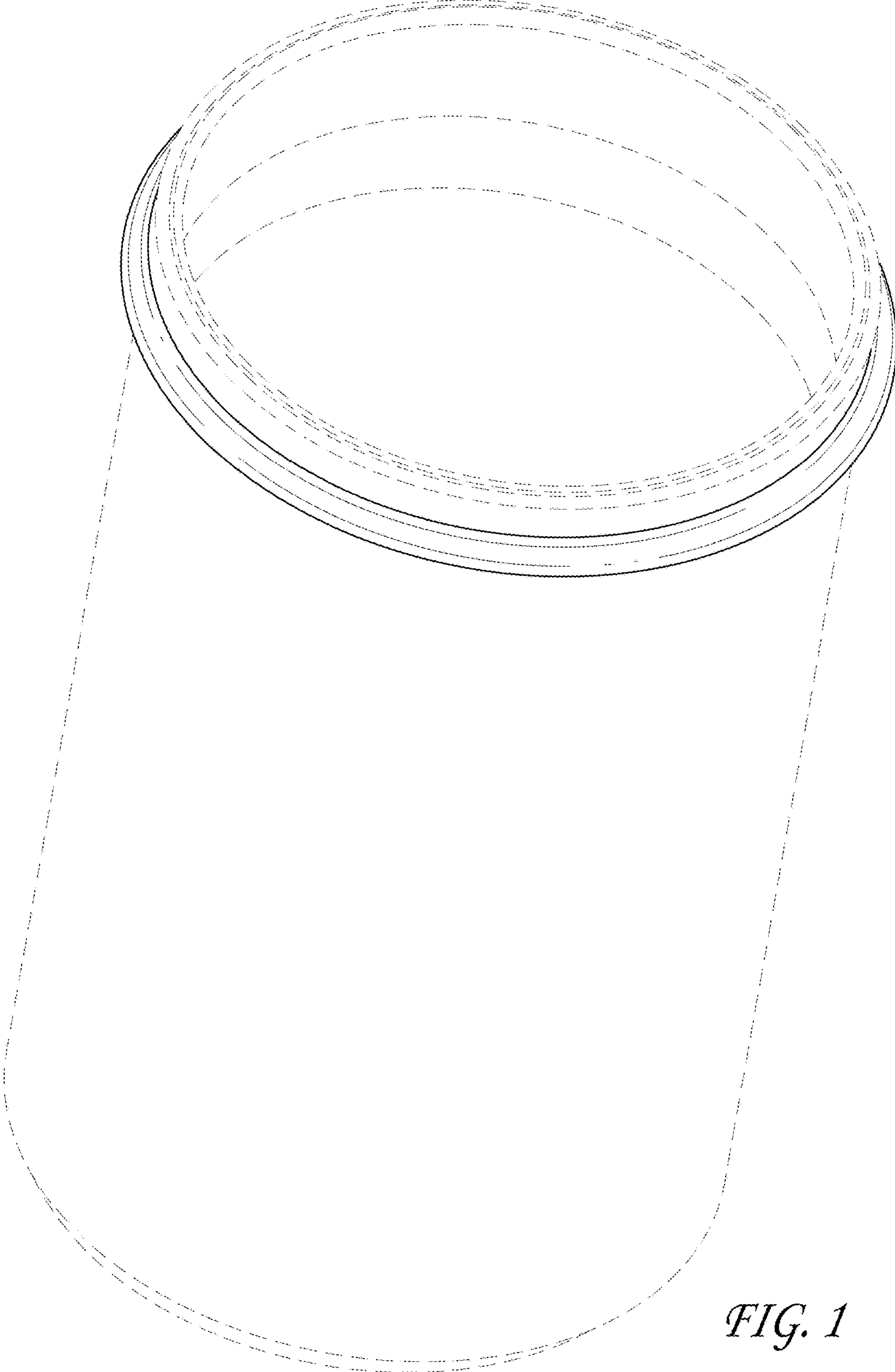
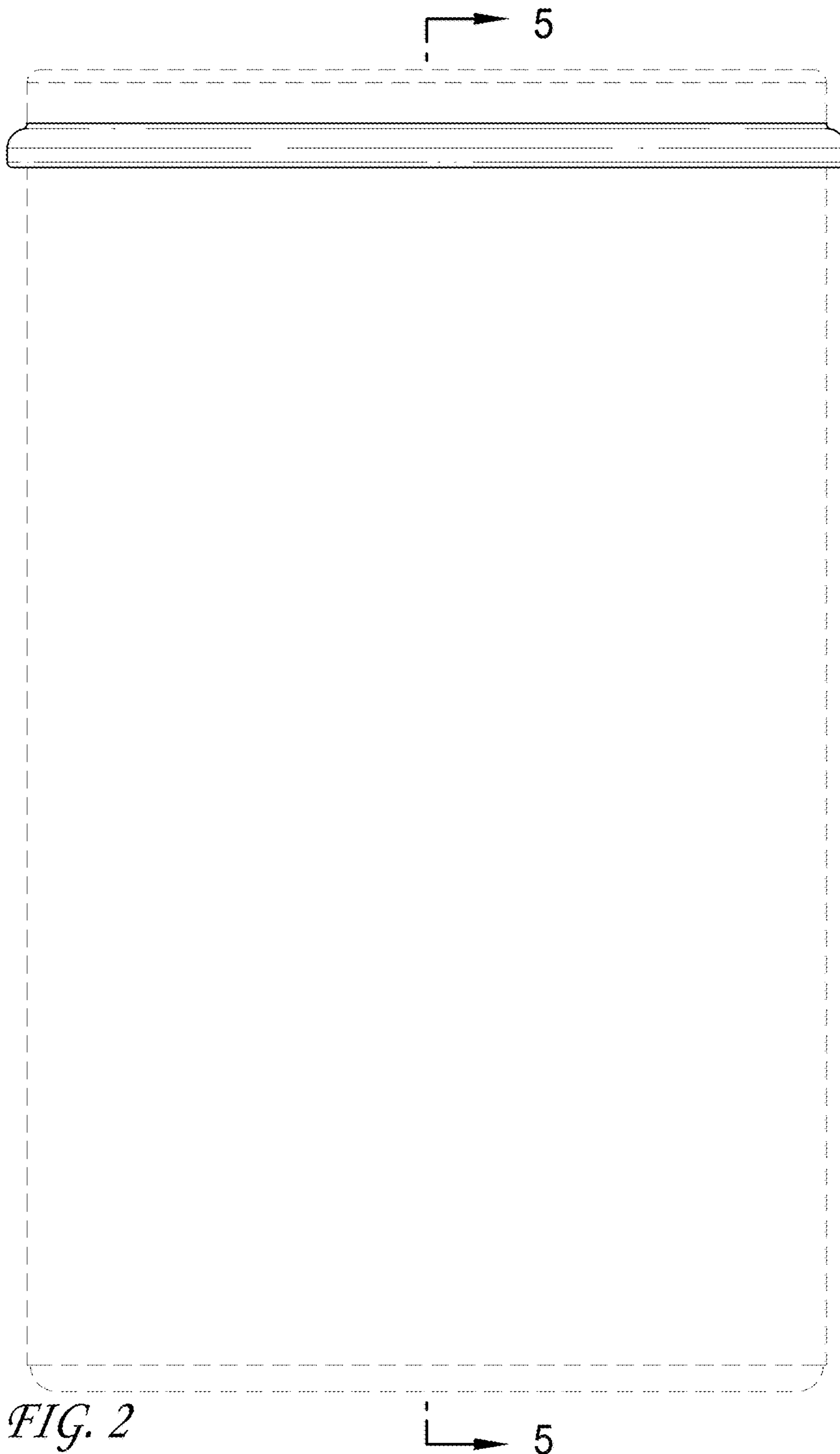


FIG. 1



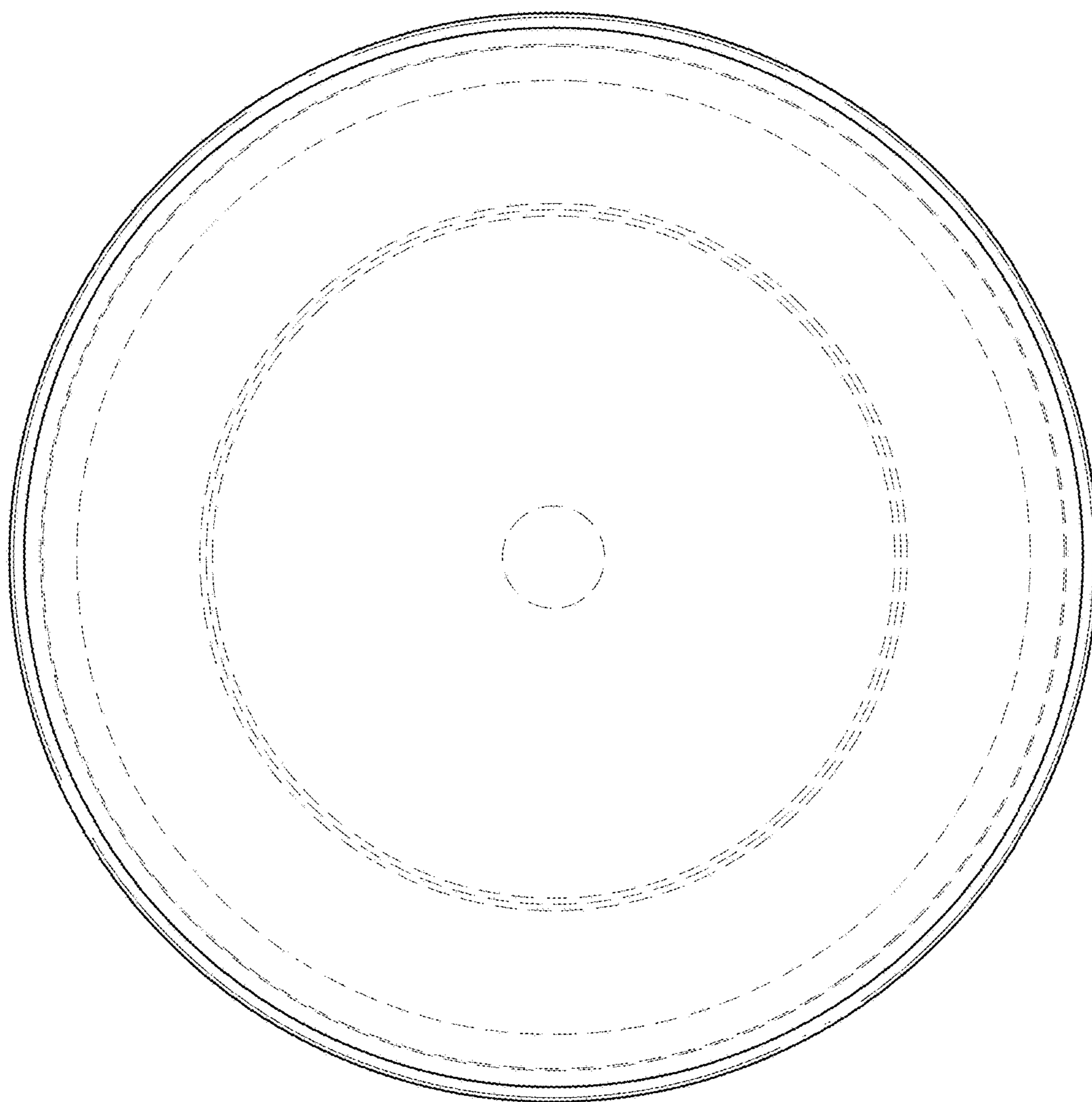


FIG. 3

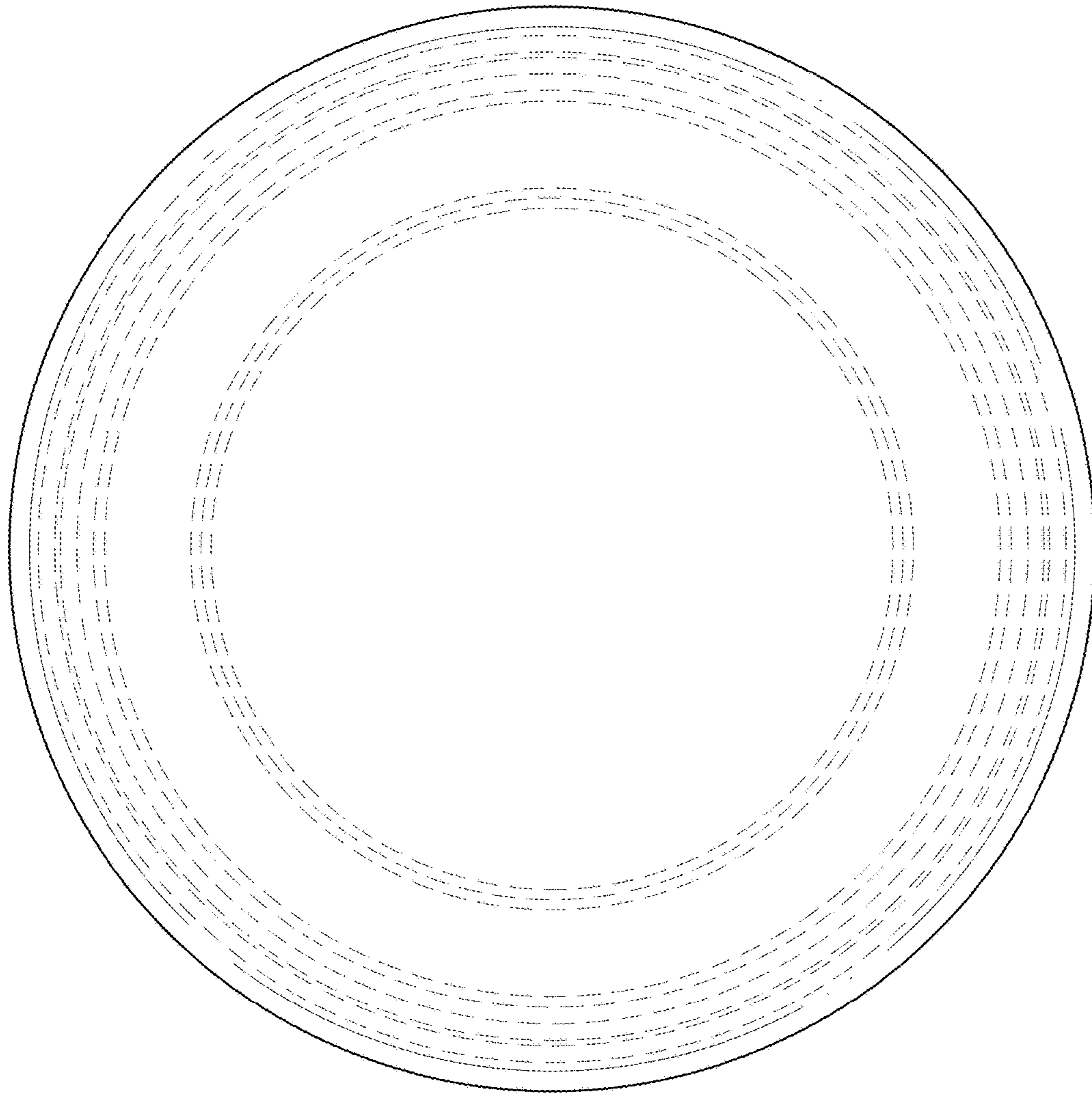


FIG. 4



FIG. 5