



US00D798718S

(12) **United States Design Patent**  
**Foster et al.**

(10) **Patent No.:** **US D798,718 S**

(45) **Date of Patent:** **\*\* \*Oct. 3, 2017**

(54) **CONTAINER WITH CONE-SHAPED BASE**

(71) Applicant: **PRINTPACK ILLINOIS, INC.**, Elgin, IL (US)

(72) Inventors: **David T. Foster**, Williamsburg, VA (US); **Patrick L. O'Brien**, Toana, VA (US); **David Cosgrove**, Williamsburg, VA (US)

(73) Assignee: **Printpack Illinois, Inc.**, Elgin, IL (US)

(\*) Notice: This patent is subject to a terminal disclaimer.

(\*\*) Term: **14 Years**

(21) Appl. No.: **29/493,539**

(22) Filed: **Jun. 10, 2014**

(51) **LOC (10) Cl.** ..... **09-01**

(52) **U.S. Cl.**  
USPC ..... **D9/500**; D9/520; D9/428

(58) **Field of Classification Search**  
USPC ..... D9/414, 416, 418, 424-425, 427-428, D9/500, 503-505, 516, 518, 520, 549, D9/558, 715-716; D7/400, 507, D7/509-511, 523, 601-603, 612, 615, D7/629-630; D11/152  
CPC . B65D 1/00; B65D 1/26; B65D 1/265; B65D 23/00; B65D 81/00; B65D 85/804; B65D 85/8043; B65D 85/8046; B65D 2501/00; B65D 2501/0009  
See application file for complete search history.

(56) **References Cited**

**U.S. PATENT DOCUMENTS**

D20,336 S	11/1890	Whilldin	
D34,667 S	6/1901	Ney	
2,614,727 A	10/1952	Robinson	
3,357,590 A	12/1967	Safford	
3,420,397 A *	1/1969	Miller	..... B65D 21/0233 206/519

3,527,020 A	9/1970	Mancini
D219,526 S	12/1970	Reading
3,896,587 A	7/1975	Insalaco
3,935,955 A	2/1976	Das
D240,019 S	5/1976	Taylor
D241,228 S	8/1976	Boduch
D243,358 S	2/1977	Gross
D244,063 S	4/1977	Christian
4,193,494 A	3/1980	Green
D260,967 S	9/1981	Taylor
D270,332 S	8/1983	Gaunt
D272,418 S	1/1984	Grudis et al.
D280,075 S	8/1985	Haag, Sr.
D280,076 S	8/1985	Haag, Sr.

(Continued)

**FOREIGN PATENT DOCUMENTS**

WO	2008136026	11/2008
WO	2012055751	5/2012
WO	2012122329	9/2012

**OTHER PUBLICATIONS**

U.S. Appl. No. 62/010,420, "Container with Improved Puncture-ability", filed Jun. 10, 2014.\*

*Primary Examiner* — Dana L Meyrow  
(74) *Attorney, Agent, or Firm* — Eversheds Sutherland (US) LLP

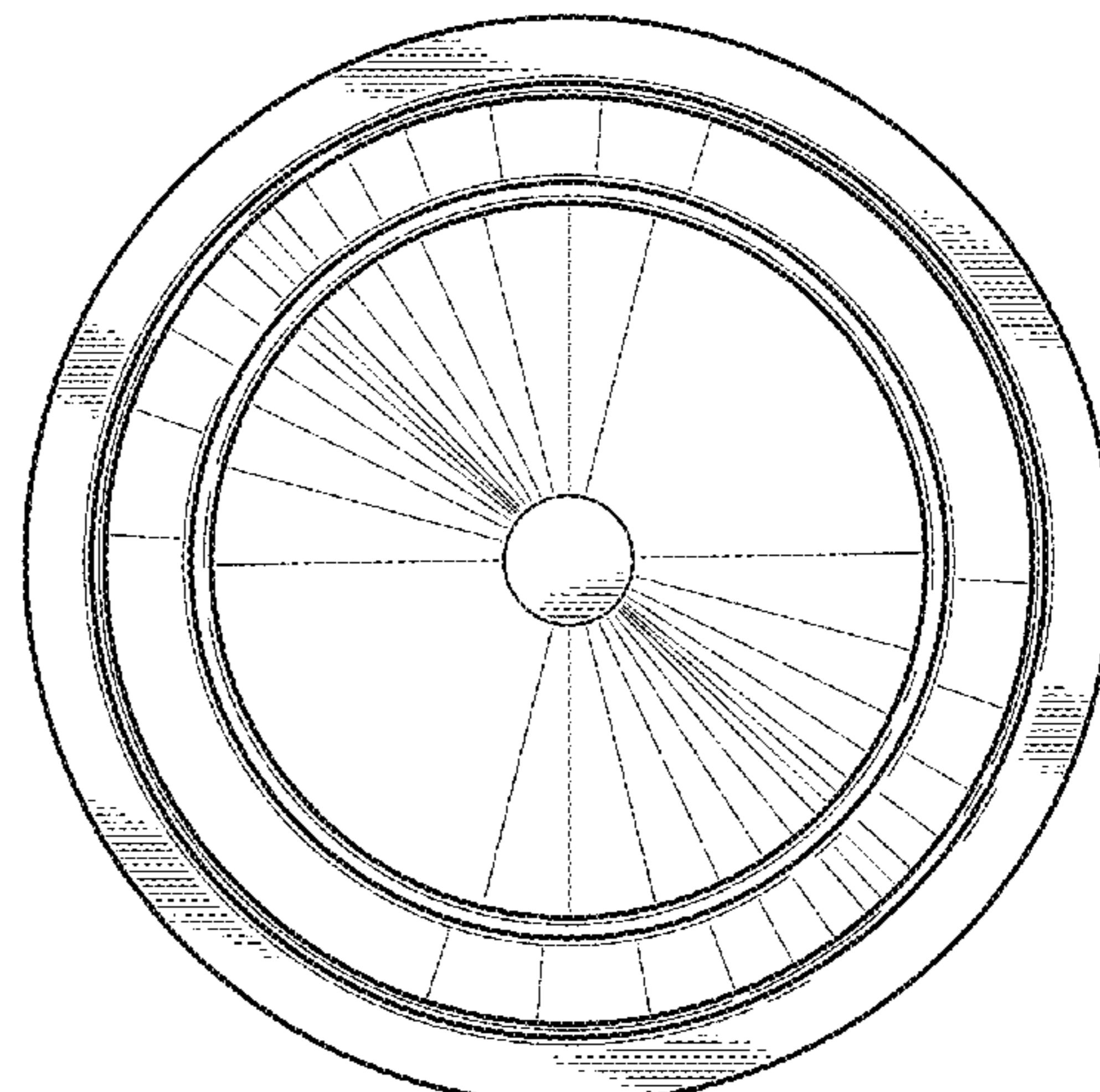
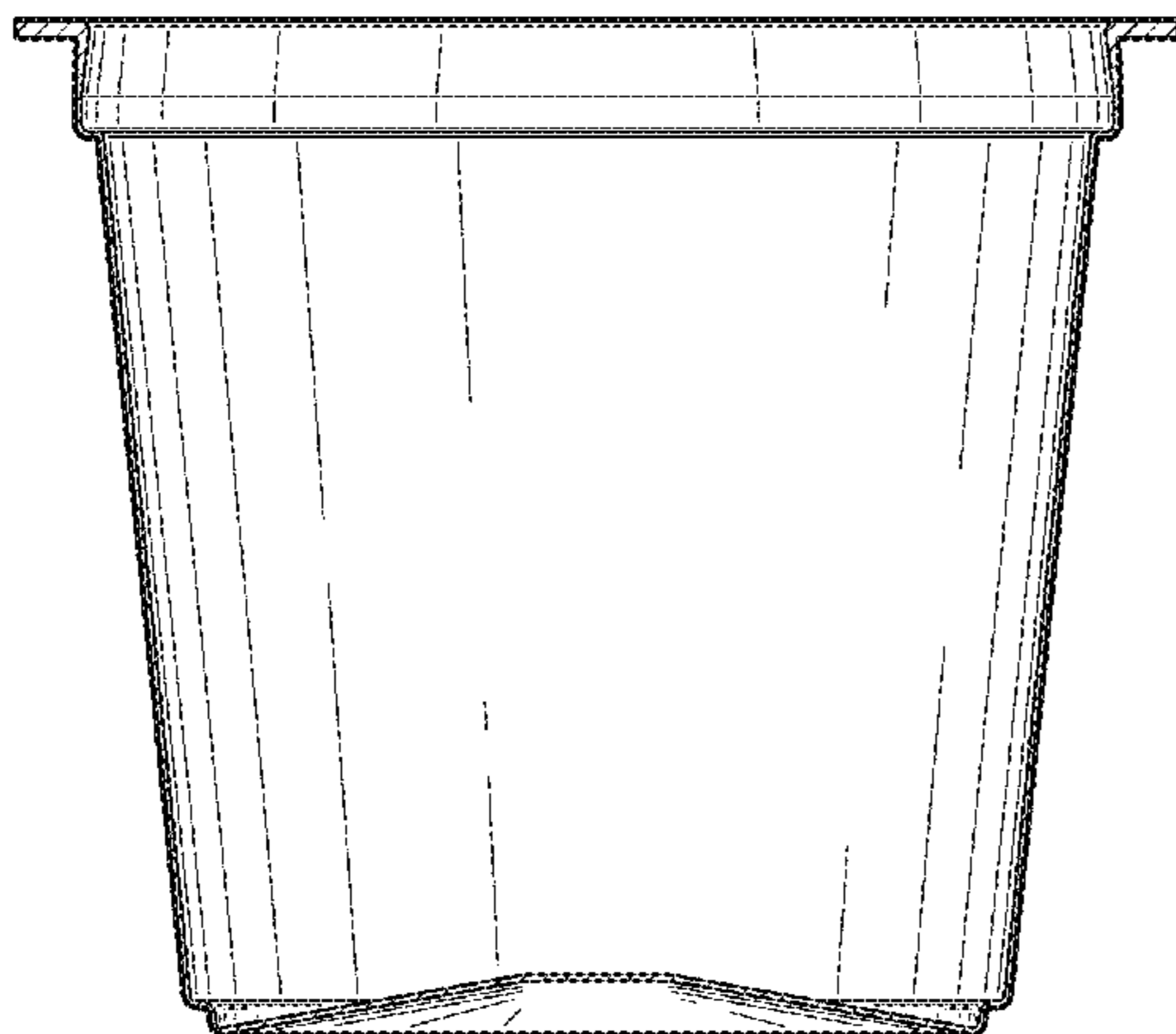
(57) **CLAIM**

The ornamental design for a container with a cone-shaped base, as shown and described.

**DESCRIPTION**

FIG. 1 is a forward lower perspective view of a container with a cone-shaped base according to an embodiment; FIG. 2 is a side view thereof; FIG. 3 is a cross-sectional side view thereof; FIG. 4 is a top view thereof; and, FIG. 5 is a bottom view thereof.

**1 Claim, 3 Drawing Sheets**



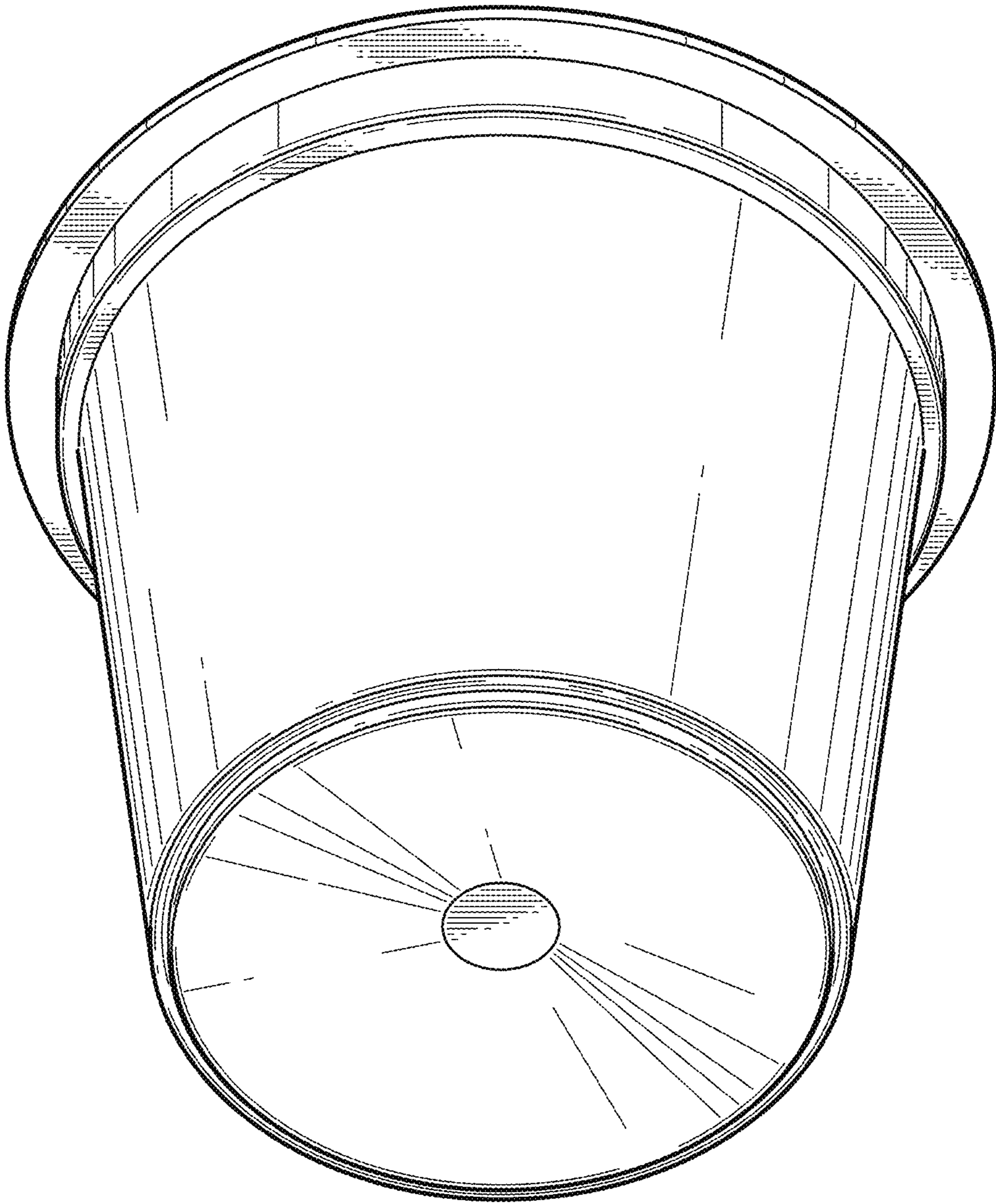
(56)

References Cited

U.S. PATENT DOCUMENTS

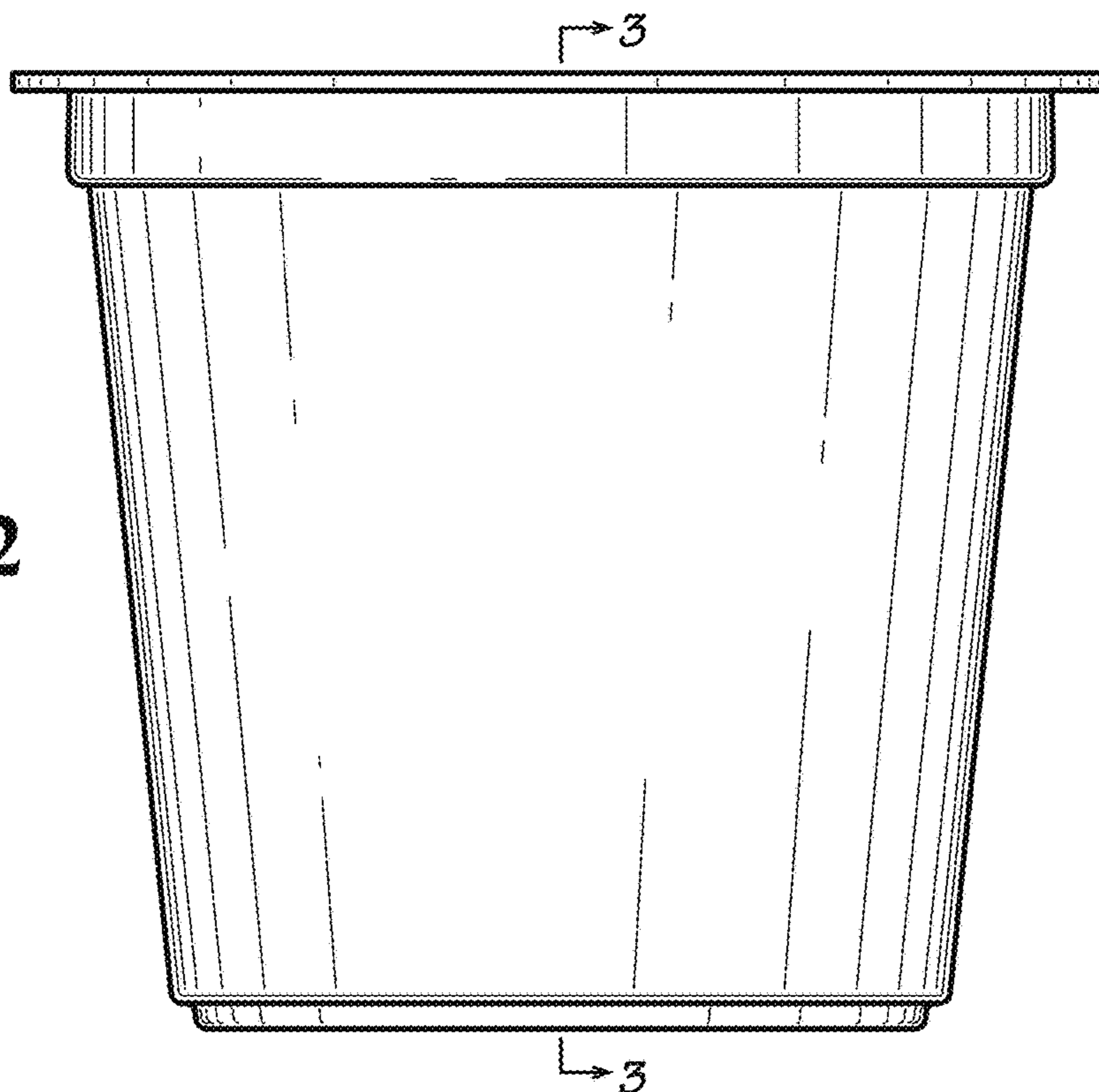
4,685,273 A	8/1987	Caner et al.	
D292,883 S *	11/1987	Griffin .....	D7/523
4,859,337 A	8/1989	Woltermann	
4,925,048 A	5/1990	Noack	
D314,704 S	2/1991	Lillelund et al.	
D327,848 S	7/1992	Behm et al.	
D330,330 S	10/1992	Behm et al.	
D330,514 S	10/1992	Edwards	
5,232,120 A	8/1993	Dunken et al.	
5,325,765 A	7/1994	Sylvan et al.	
D351,790 S	10/1994	Haindl	
5,375,719 A	12/1994	Mittmann et al.	
5,419,439 A	5/1995	Powell	
D361,956 S	9/1995	Moore	
D364,564 S	11/1995	Moore	
D380,383 S	7/1997	Wiemann et al.	
D390,460 S	2/1998	Schmidt	
D391,482 S	3/1998	Wiemann et al.	
D398,528 S	9/1998	Wiemann et al.	
D399,452 S	10/1998	Durbin	
5,840,189 A	11/1998	Sylvan et al.	
D405,386 S	2/1999	Ross	
5,992,632 A	11/1999	Karren	
6,024,244 A	2/2000	Hicks	
6,086,931 A	7/2000	Whiteford	
6,134,832 A	10/2000	Bokmiller et al.	
6,138,862 A	10/2000	Tai	
D435,216 S	12/2000	Paoloski	
D438,794 S	3/2001	Miles et al.	
D452,434 S	12/2001	Sweeney	
6,440,256 B1	8/2002	Gordon et al.	
D474,110 S	5/2003	Sweeney	
D474,111 S	5/2003	Lazaris	
6,589,577 B2	7/2003	Lazaris	
6,607,762 B2	8/2003	Lazaris et al.	
6,645,537 B2	11/2003	Sweeney et al.	
D484,809 S *	1/2004	Pascuzzo .....	D9/537
6,810,788 B2	11/2004	Hale	
6,837,377 B2	1/2005	Shuert	
D502,362 S	3/2005	Lazaris et al.	
D502,870 S	3/2005	Bennett et al.	
D504,814 S	5/2005	Bretz et al.	
D505,882 S	6/2005	Hensen	
D519,831 S	5/2006	de Cleir et al.	
D522,368 S	6/2006	Darr et al.	
D528,422 S	9/2006	Darr et al.	
D530,615 S	10/2006	Darr et al.	
D532,293 S	11/2006	Martin	
D532,307 S	11/2006	Durand	
D541,147 S	4/2007	LaMasney	
7,204,056 B2	4/2007	Sieverding	
D554,507 S	11/2007	Laupie	
D554,508 S	11/2007	YunFu	
D562,726 S	2/2008	Courson et al.	
D574,242 S	8/2008	Lin	
D577,288 S	9/2008	Wilson et al.	
D595,581 S	7/2009	Brunson	
D603,221 S	11/2009	Liu et al.	
D605,502 S	12/2009	Honda et al.	
D606,363 S	12/2009	Aardenburg	
7,624,535 B2	12/2009	Schmidt	
7,624,673 B2	12/2009	Zanetti	
D607,329 S	1/2010	Diss	
7,677,435 B2	3/2010	Stahlecker	
D616,704 S	6/2010	Hou	
D620,310 S	7/2010	Lundberg	
D622,147 S	8/2010	Pedmo	
D623,063 S	9/2010	Pedmo	
7,789,255 B2	9/2010	Zoppas	
D626,829 S	11/2010	Touchet	
D628,442 S	12/2010	Lundberg	
D628,476 S	12/2010	Vang	
D628,883 S	12/2010	Stephens	
D630,947 S	1/2011	Mashouf	
7,891,513 B2	2/2011	Mody et al.	
D637,484 S	5/2011	Winkler	
7,981,451 B2	7/2011	Ozanne	
D643,734 S	8/2011	Perez	
D645,340 S	9/2011	Menard	
D646,968 S *	10/2011	Ortiz .....	D9/429
D647,398 S	10/2011	Winkler	
D647,399 S	10/2011	Winkler	
D648,212 S	11/2011	Golota et al.	
D649,405 S *	11/2011	Lingo .....	D24/224
D651,096 S	12/2011	Nakagiri	
D651,901 S	1/2012	Miller et al.	
D652,266 S	1/2012	Smyers	
D656,009 S	3/2012	Ortiz et al.	
8,127,663 B2	3/2012	Nottingham et al.	
8,230,775 B2	7/2012	Vanni	
D683,545 S	6/2013	Refior	
D684,065 S *	6/2013	Wiseman .....	D9/500
D686,916 S	7/2013	O'Brien et al.	
D687,297 S	8/2013	O'Brien et al.	
D689,768 S	9/2013	Inderbitzin	
8,529,974 B2 *	9/2013	Ortiz .....	B65D 1/265 206/804
D695,110 S	12/2013	Houlton et al.	
D695,615 S	12/2013	Rapparini	
D698,649 S	2/2014	Quint	
D700,839 S	3/2014	O'Brien et al.	
D712,203 S *	9/2014	Lordi .....	D7/523
D715,649 S	10/2014	O'Brien	
D730,174 S	5/2015	O'Brien	
D730,734 S *	6/2015	Rapparini .....	D9/454
D731,884 S *	6/2015	Trombetta .....	D9/500
D731,890 S *	6/2015	Trombetta .....	D9/428
D732,390 S *	6/2015	Trombetta .....	D9/428
D732,949 S *	6/2015	Schroeder .....	D9/416
D733,555 S *	7/2015	Brady .....	D9/428
D737,678 S *	9/2015	Danenberg .....	D9/428
D740,655 S *	10/2015	Maki .....	D9/428
D753,491 S *	4/2016	Trombetta .....	D9/503
D756,785 S *	5/2016	Bartoli .....	D9/502
D761,108 S *	7/2016	Trombetta .....	D9/503
D769,726 S *	10/2016	Trombetta .....	D9/600
D770,286 S *	11/2016	Trombetta .....	D9/503
2002/0112983 A1	8/2002	Padovani	
2002/0134701 A1	9/2002	Olsthoorn et al.	
2004/0173565 A1	9/2004	Semersky et al.	
2005/0017013 A1	1/2005	Peisach et al.	
2005/0051478 A1	3/2005	Karanikos	
2005/0173287 A1	8/2005	Smith et al.	
2009/0194546 A1	8/2009	Lane	
2009/0200301 A1	8/2009	Beekman et al.	
2010/0018889 A1	1/2010	Korpanty et al.	
2010/0064899 A1	3/2010	Aardenburg	
2010/0072165 A1	3/2010	Schau	
2010/0288131 A1	11/2010	Kilber	
2010/0288133 A1	11/2010	Litzka et al.	
2010/0303964 A1	12/2010	Beaulieu et al.	
2010/0303965 A1	12/2010	Mariller	
2011/0076361 A1	3/2011	Peterson et al.	
2011/0147392 A1	6/2011	Trude et al.	
2011/0151075 A1	6/2011	Peterson	
2011/0183048 A1 *	7/2011	Noble .....	A23F 5/32 426/122
2011/0240506 A1	10/2011	D'Amato	
2011/0259205 A1	10/2011	Delome	
2011/0283890 A1	11/2011	Scrivani	
2011/0305801 A1	12/2011	Beer	
2012/0006205 A1	1/2012	Vanni	
2012/0012647 A1	1/2012	Almabekov	
2012/0055832 A1	3/2012	Riethmueller	
2012/0058226 A1	3/2012	Winkler	
2012/0097602 A1	4/2012	Tedford	
2012/0121764 A1	5/2012	Lai et al.	
2012/0121768 A1	5/2012	Lai et al.	
2012/0171332 A1	7/2012	Lai et al.	
2012/0201933 A1	8/2012	Dran et al.	
2014/0377413 A1 *	12/2014	Liu .....	B65D 85/8043 426/115

\* cited by examiner

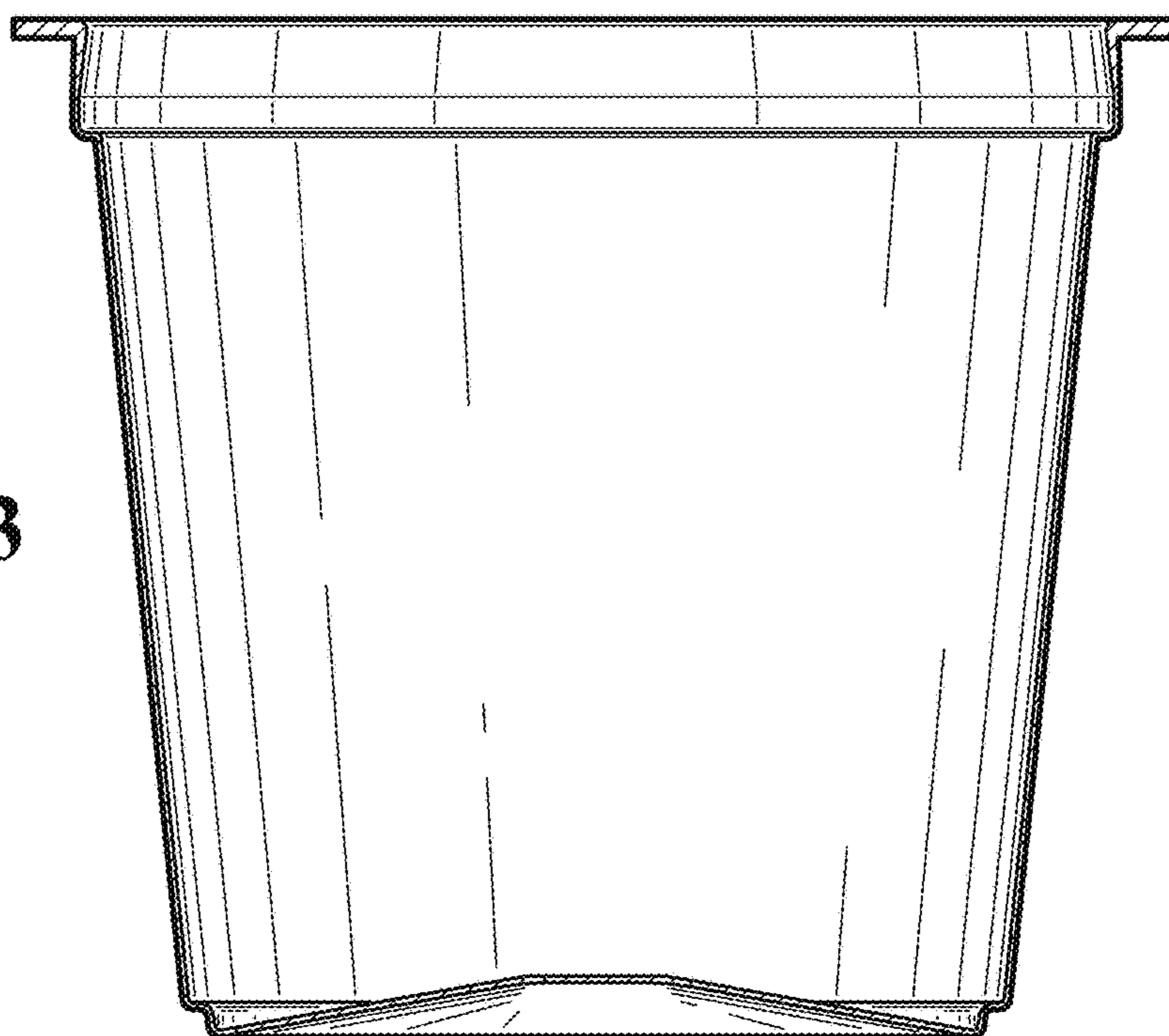


**FIG. 1**

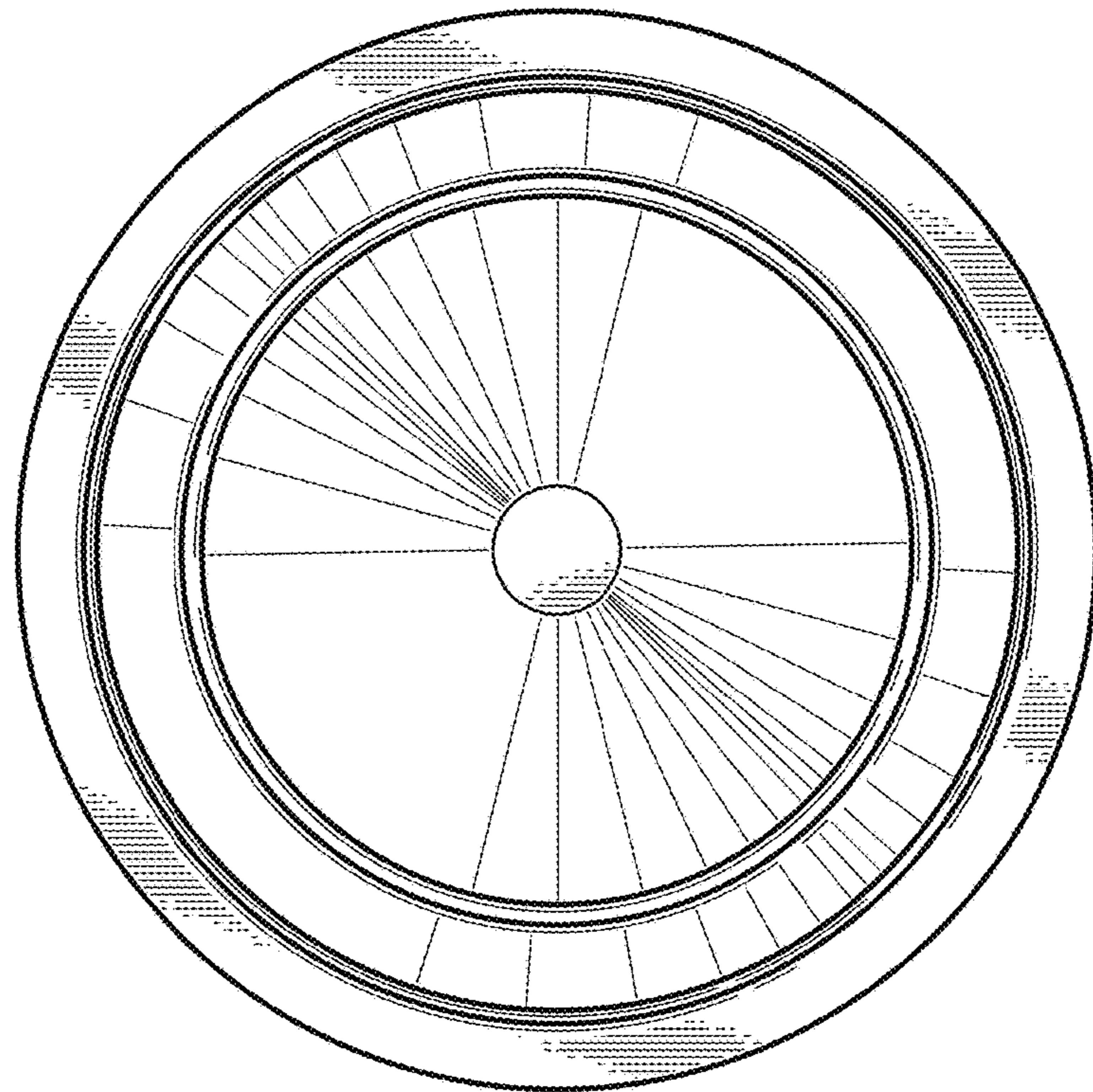
**FIG. 2**



**FIG. 3**



**FIG. 4**



**FIG. 5**

