



US00D798716S

(12) **United States Design Patent** (10) **Patent No.:** **US D798,716 S**  
**Fitchell** (45) **Date of Patent:** **\*\* \*Oct. 3, 2017**

(54) **LID WITH SLIDING OPENING**  
(71) Applicant: **Daniel Fitchell**, North Vancouver (CA)  
(72) Inventor: **Daniel Fitchell**, North Vancouver (CA)  
(\* ) Notice: This patent is subject to a terminal disclaimer.  
(\*\*) Term: **14 Years**  
(21) Appl. No.: **29/518,361**  
(22) Filed: **Feb. 23, 2015**  
(51) **LOC (10) Cl.** ..... **09-07**  
(52) **U.S. Cl.**  
USPC ..... **D9/449**  
(58) **Field of Classification Search**  
USPC ..... D7/300, 300.1, 300.2, 303, 316, 317, D7/396.2, 397, 398, 509, 510, 511, 392.1; D9/738, 763, 778, 434, 435, 436, 439, D9/440, 443, 444, 445, 447, 448, 449, D9/450, 452, 453, 454, 438; D28/82  
CPC ..... A47G 19/22; B65D 41/04; B65D 47/06  
See application file for complete search history.

(56) **References Cited**

U.S. PATENT DOCUMENTS

D206,915 S 2/1967 Amburgey  
D292,889 S \* 11/1987 Ostrowsky ..... D9/447  
5,086,941 A 2/1992 English et al.  
D332,893 S \* 2/1993 Patterson ..... D7/510  
D368,658 S \* 4/1996 Hirsch ..... D9/453  
6,439,442 B1 8/2002 Markert et al.  
D462,575 S \* 9/2002 Gluck ..... D7/510  
6,824,003 B1 11/2004 Wong  
D530,153 S \* 10/2006 Karp ..... D7/510  
D533,779 S \* 12/2006 Schmidtner ..... D9/449  
D571,152 S \* 6/2008 Tien ..... D7/509  
7,611,029 B2 11/2009 Wong  
7,753,224 B2 7/2010 Cai  
7,874,447 B2 1/2011 Schmidtner et al.

D647,760 S \* 11/2011 Pearson ..... D7/510  
D675,481 S \* 2/2013 Enghard ..... D7/510  
D690,201 S \* 9/2013 Klebeck ..... D9/439  
D691,416 S \* 10/2013 Eyal ..... D7/396.2  
D692,757 S \* 11/2013 Concin ..... D9/453  
D696,940 S \* 1/2014 Hale ..... D9/447  
D699,996 S \* 2/2014 De Leo ..... D7/300.1  
D710,698 S \* 8/2014 Giraud ..... D7/396.2  
D715,100 S \* 10/2014 Eyal ..... D7/510  
D717,115 S \* 11/2014 Lane ..... D7/511  
D721,250 S \* 1/2015 Chen ..... D7/510  
D725,965 S \* 4/2015 Bo ..... D7/510  
D742,173 S \* 11/2015 Perman ..... D7/507  
2006/0201945 A1 9/2006 Tedford, Jr.  
2007/0278228 A1\* 12/2007 Wong ..... B65D 47/286  
220/254.9  
2008/0073347 A1 3/2008 Shadrach  
2015/0274384 A1\* 10/2015 Goldstein ..... B65D 47/32  
222/1

\* cited by examiner

*Primary Examiner* — Robert M Spear  
*Assistant Examiner* — Marissa J Cash  
(74) *Attorney, Agent, or Firm* — Robert C. Montgomery;  
Montgomery Patent & Design

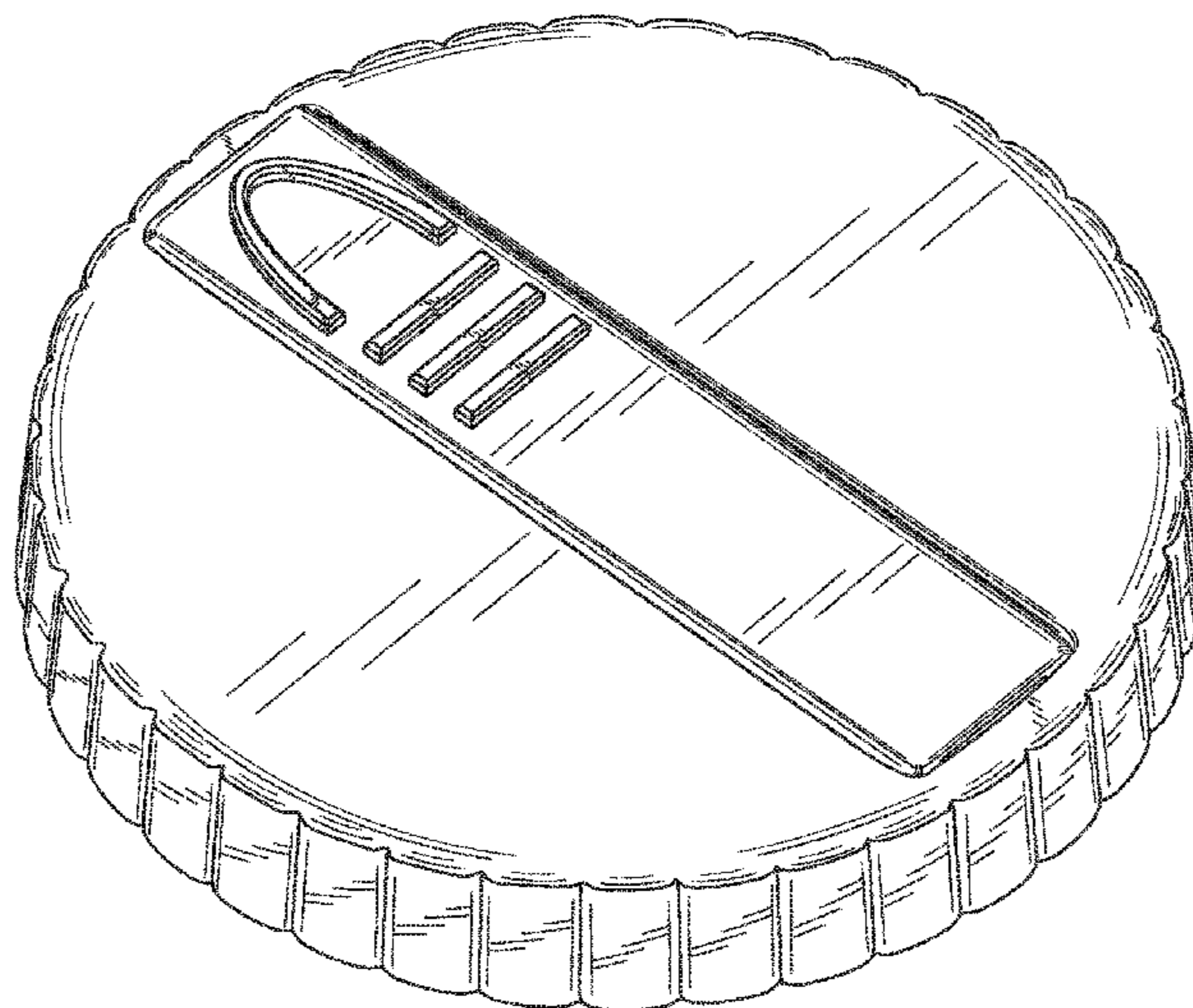
(57) **CLAIM**

The ornamental design for a lid with a sliding opening, as shown and described.

**DESCRIPTION**

FIG. 1 is a perspective front view of a lid with a sliding opening, showing my new design;  
FIG. 2 is a front side view thereof;  
FIG. 3 is a back side view thereof;  
FIG. 4 is a left side view with the right side view being a mirror image thereof;  
FIG. 5 is a top side view thereof; and,  
FIG. 6 is a bottom side view thereof.  
The dashed lines indicate environmental subject matter and form no part of the claimed design.

**1 Claim, 6 Drawing Sheets**



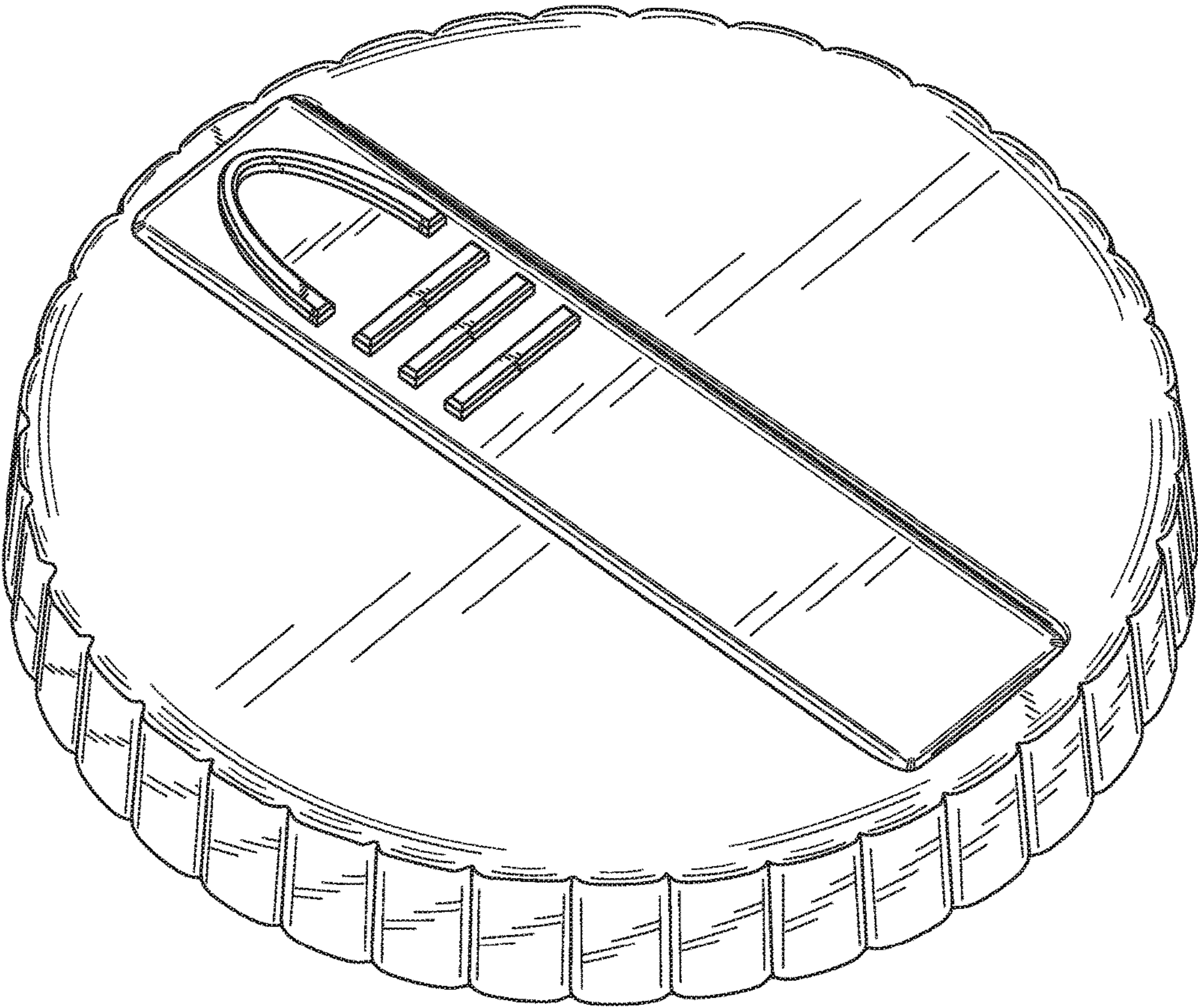


Fig. 1

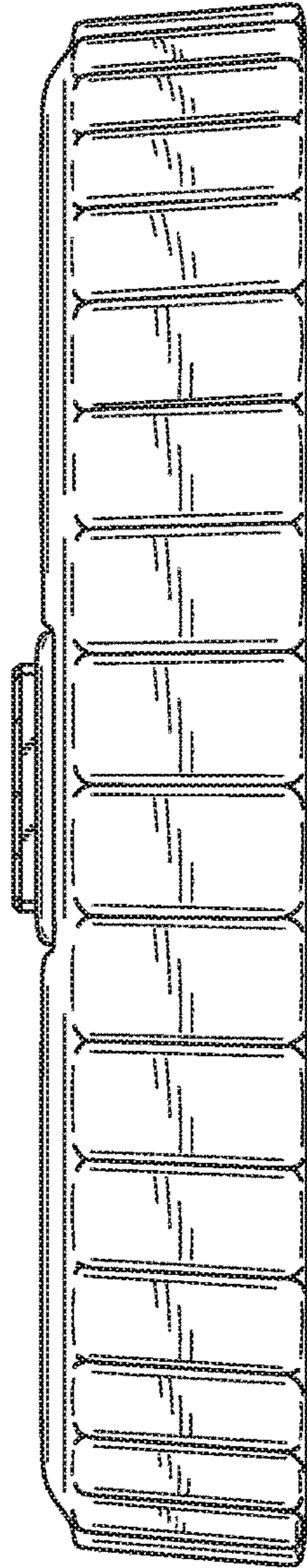


Fig. 2

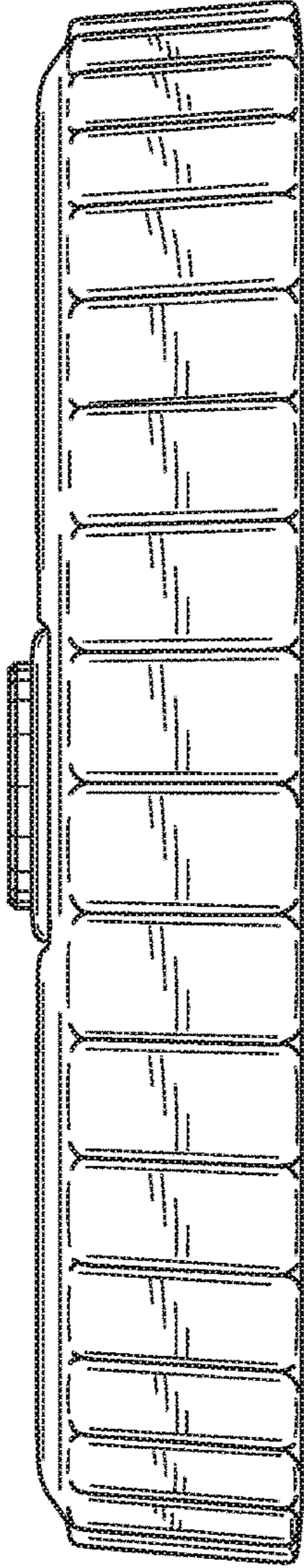


Fig. 3

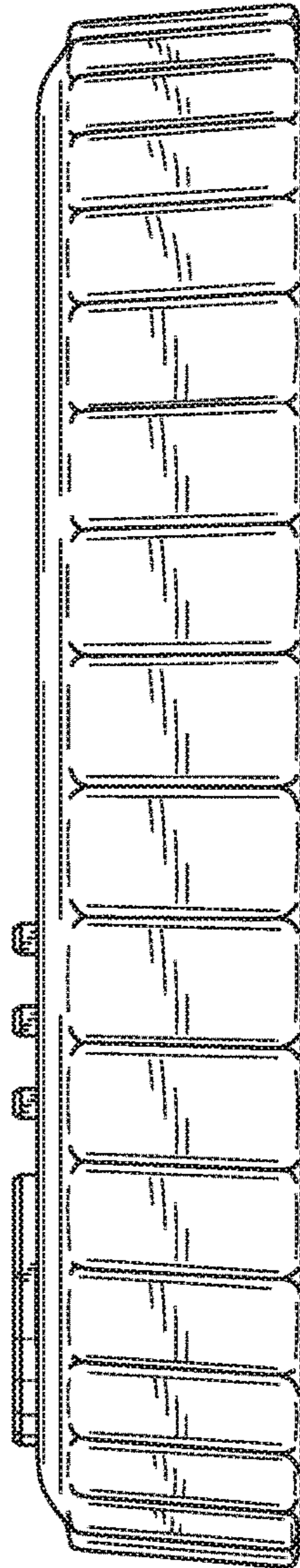


Fig. 4

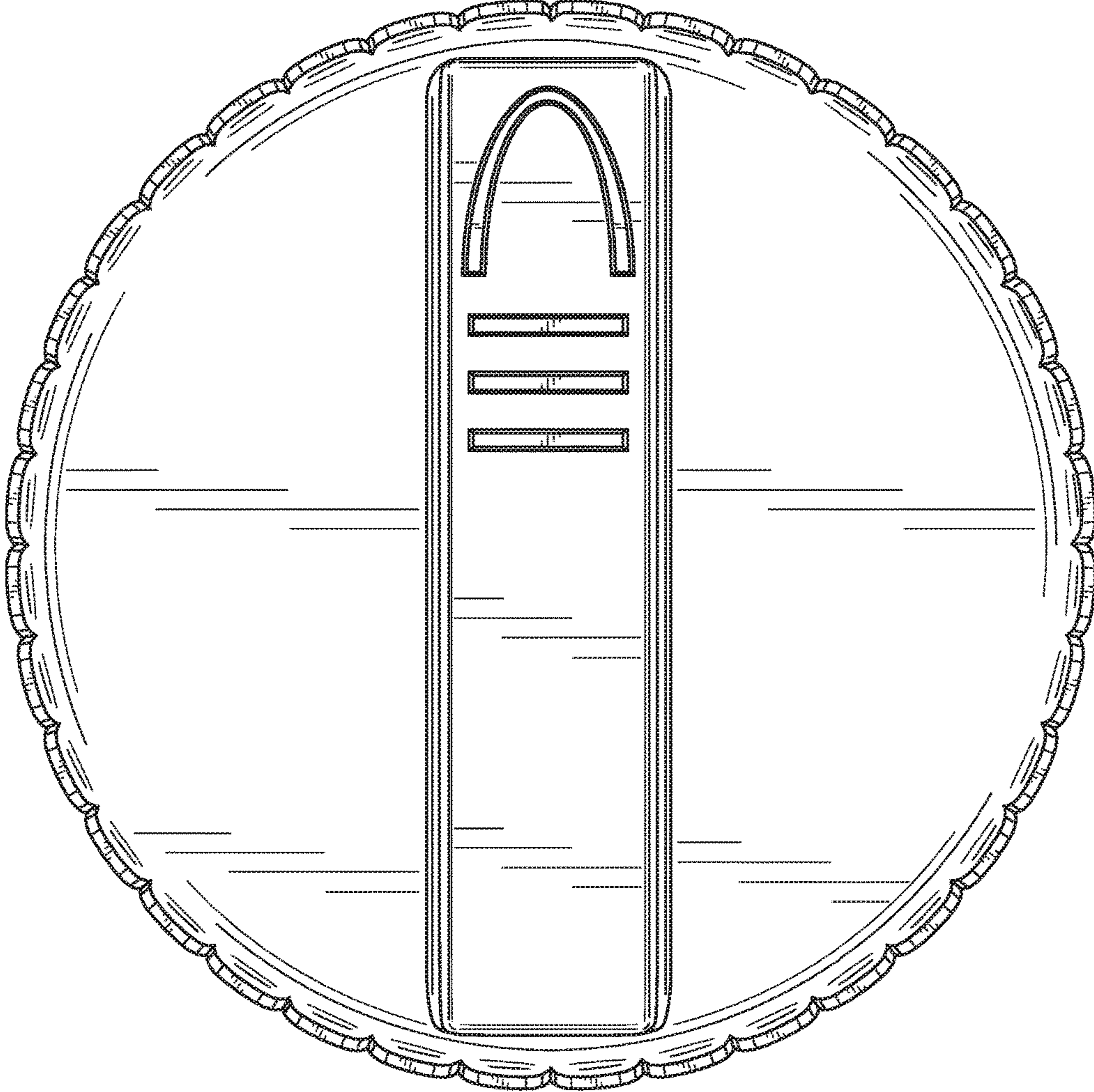


Fig. 5

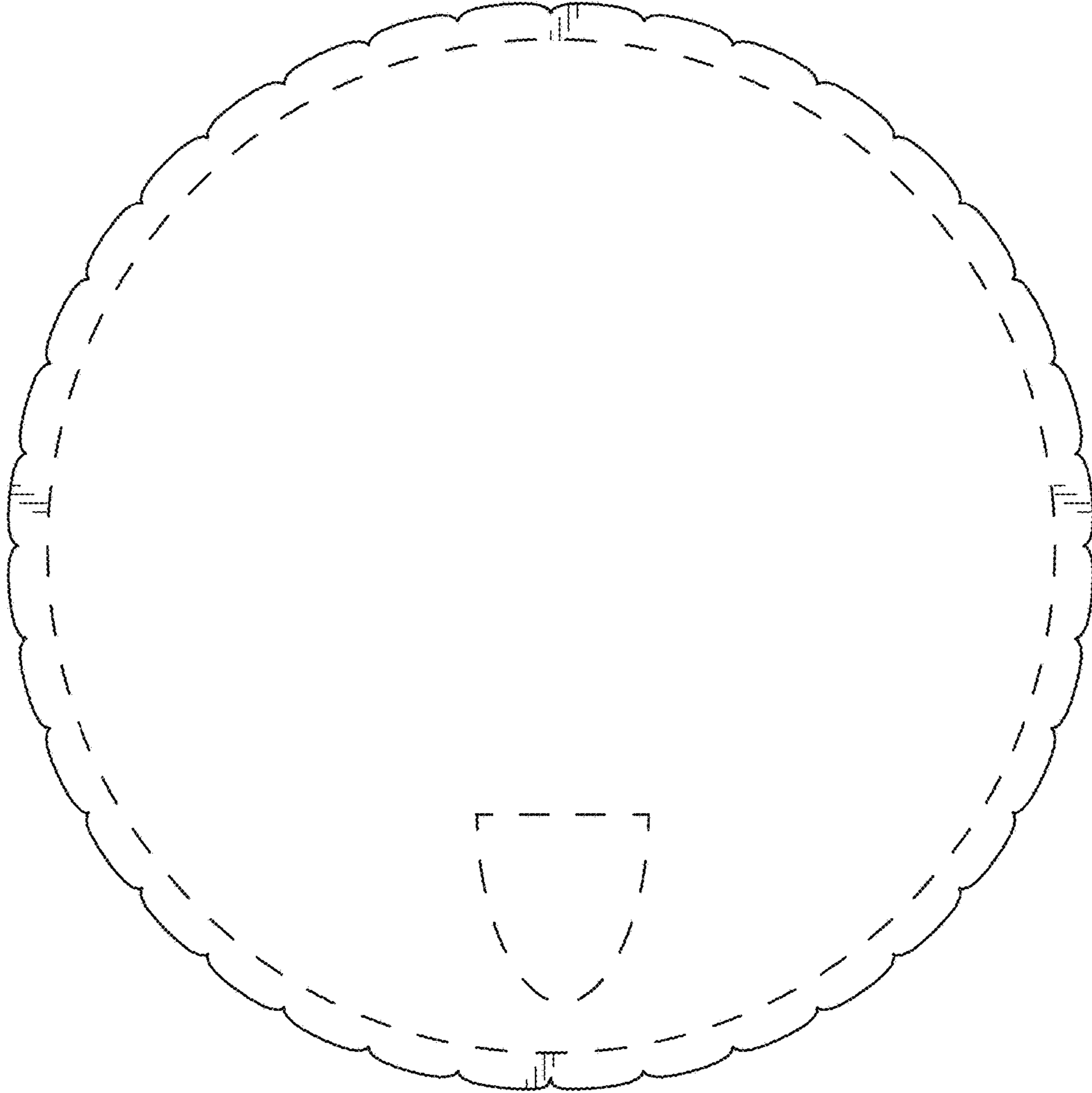


Fig. 6