



US00D798715S

(12) **United States Design Patent** (10) **Patent No.:** **US D798,715 S**
Sims et al. (45) **Date of Patent:** **** Oct. 3, 2017**

(54) **SHAVE PREPARATION CONTAINER**

B65D 25/77; B65D 39/00; B65D 39/0047; B65D 43/02; B65D 51/02; B65D 51/04

(71) Applicant: **The Gillette Company**, Boston, MA (US)

See application file for complete search history.

(72) Inventors: **Daniel Jerome Sims**, Brookline, MA (US); **Brian Patrick Watson**, Albion, RI (US); **Jeff Doral Hinkle**, Cincinnati, OH (US)

(56) **References Cited**

U.S. PATENT DOCUMENTS

D236,684 S 9/1975 Hebblethwaite
5,503,303 A 4/1996 LaWare et al.
D388,320 S 12/1997 Lamb et al.

(Continued)

(73) Assignee: **The Gillette Company LLC**, Boston, MA (US)

(**) Term: **15 Years**

OTHER PUBLICATIONS

(21) Appl. No.: **29/550,702**

Gillette Fusion ProGlide Sensitive 2 in 1 Shave Gel: Announced Jan. 19, 2015 [online], site visited Oct. 15, 2015. Available from internet URL: <http://www.target.com/p/gillette-fusion-proglide-sensitive-2-in-1-shave-gel-ocean-breeze-6oz/-/A-16731159>.

(22) Filed: **Jan. 6, 2016**

(Continued)

Related U.S. Application Data

(62) Division of application No. 29/495,903, filed on Jul. 7, 2014.

Primary Examiner — Thomas Johannes

Assistant Examiner — Catherine Posthauer

(51) **LOC (10) Cl.** **09-07**

(74) *Attorney, Agent, or Firm* — Ronald T. Sia; Kevin C. Johnson; Steven W. Miller

(52) **U.S. Cl.**

USPC **D9/448**; D9/435

(58) **Field of Classification Search**

USPC D3/201, 202, 203.1; D6/542, 543, 544, D6/545; D7/312, 313, 392.1, 397, 398; D9/417, 434, 435, 443, 447, 448, 682, D9/685, 686, 690; D15/7, 9, 9.1; D23/200, 206, 211.1, 213, 223, 226, 229, D23/231; D29/125, 126, 129

CPC B05B 3/00; B05B 7/00; B05B 7/24; B05B 11/3005; B05B 11/3052; B05B 11/3056; B05B 11/3057; B05B 12/00; B05B 17/002; A45D 34/00; A45D 34/042; A45D 40/22; A45D 2040/0006; A45D 2040/0093; B65D 1/02; B65D 1/0223; B65D 1/08; B65D 1/10; B65D 23/00; B65D 23/08; B65D 25/00; B65D 25/40; B65D 25/42; B65D 25/46; B65D 25/48;

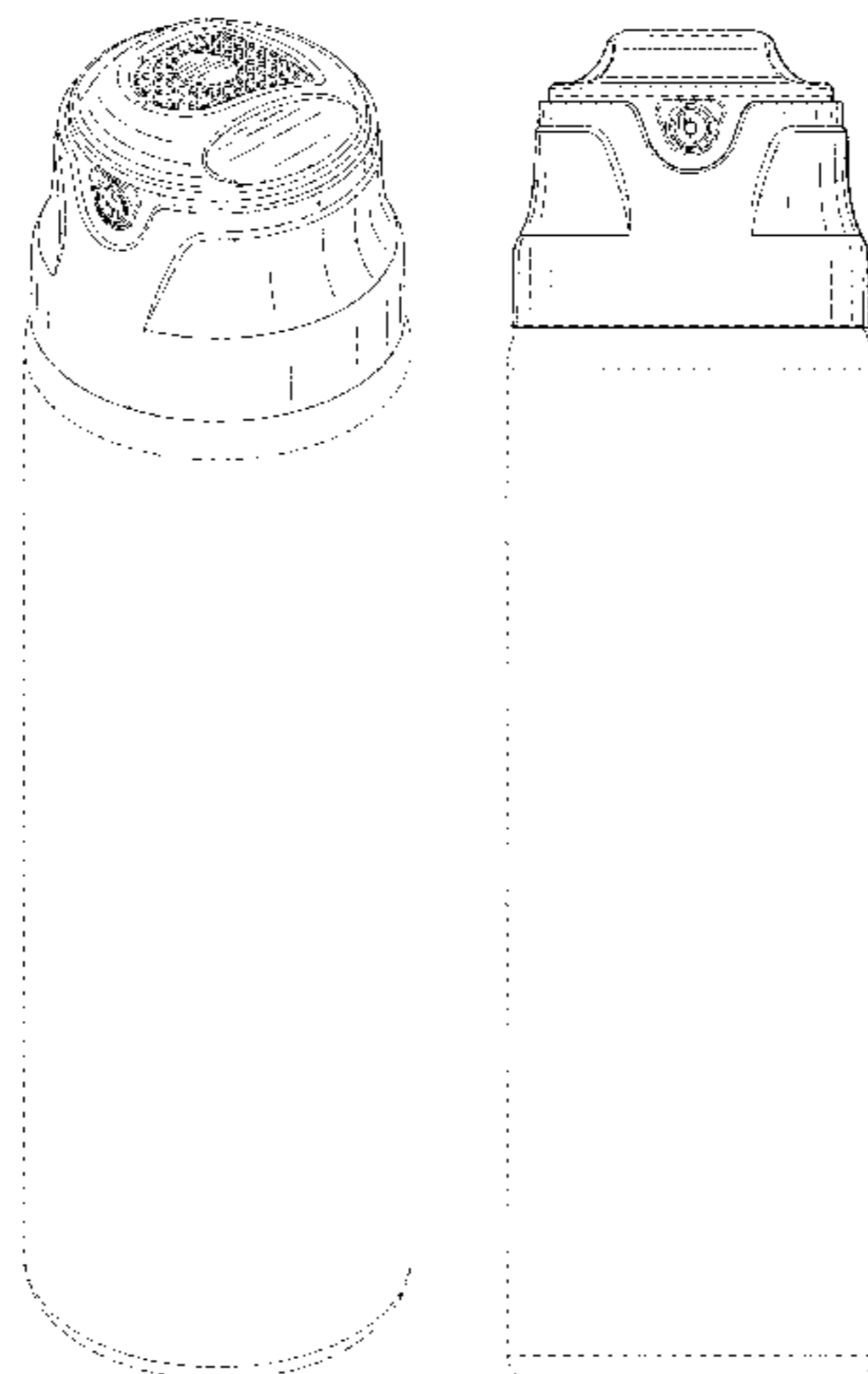
(57) **CLAIM**

The ornamental design for a shave preparation container, as shown and described.

DESCRIPTION

FIG. 1 is a perspective view of a shave preparation container;
FIG. 2 is a front view thereof;
FIG. 3 is a back view thereof;
FIG. 4 is a right side view thereof;
FIG. 5 is a left side view thereof;
FIG. 6 is a top plan view thereof; and,
FIG. 7 is a bottom plan view thereof.

(Continued)



The broken lines are shown for the purpose of illustrating parts of the shave preparation container that form no part of the claim.

1 Claim, 4 Drawing Sheets

(56)

References Cited

U.S. PATENT DOCUMENTS

D447,948	S	*	9/2001	Panno	D9/448
D471,106	S	*	3/2003	Panno	D9/448
D478,284	S	*	8/2003	Panno	D9/448
D478,285	S	*	8/2003	Panno	D9/448
D490,300	S		5/2004	Costa et al.		
D527,630	S	*	9/2006	McConville	D9/448
D536,969	S	*	2/2007	Geier	D9/448
D543,316	S		5/2007	Hadtke et al.		
D565,947	S	*	4/2008	Downey	D9/448
D579,342	S		10/2008	Cloughton et al.		
D580,776	S		11/2008	Cloughton et al.		
D581,270	S	*	11/2008	Gonzalez	D9/448
D608,655	S		1/2010	Brewer et al.		
D627,638	S	*	11/2010	Bodet	D9/448
D634,212	S		3/2011	Kruetzkamp et al.		
D635,021	S	*	3/2011	Geier	D9/448
D636,683	S		4/2011	Floyd et al.		
D654,808	S	*	2/2012	Gidlow	D9/688
D665,668	S	*	8/2012	Cho	D9/448
D665,669	S	*	8/2012	Folli	D9/448

8,418,892	B2	*	4/2013	Geier	B65D 83/205 222/402.11
D690,604	S	*	10/2013	Seng	D9/690
D697,424	S	*	1/2014	Adams	B65D 83/205 D9/445
D700,060	S		2/2014	Trevisan et al.		
D700,061	S		2/2014	Trevisan et al.		
D700,802	S		3/2014	Miller et al.		
D718,625	S	*	12/2014	Trevisan	D9/448
D723,368	S		3/2015	Checklin et al.		
D728,376	S		5/2015	Floyd et al.		
D734,151	S		7/2015	Herbst et al.		
D736,633	S		8/2015	Bisbikis et al.		
D736,634	S		8/2015	Bisbikis et al.		
D746,680	S	*	1/2016	Orasche	D9/448
D749,951	S	*	2/2016	Sims	D9/448
9,260,237	B2	*	2/2016	Brace	B65D 83/226
D750,491	S	*	3/2016	Campbell	D9/448
D750,492	S	*	3/2016	Campbell	D9/448
D766,084	S	*	9/2016	Jiang	D9/448
2007/0241134	A1		10/2007	Gurrisi et al.		
2008/0164285	A1	*	7/2008	Hygema	B65D 83/205 222/153.11

OTHER PUBLICATIONS

Fusion ProGlide Sensitive Shave Gel: Announced Jan. 21, 2015 [online], site visited Oct. 15, 2015. Available from Internet URL: <http://gillette.com/en-us/products/preandpostshave/shaving-creams-gels-and-foams/fusion-proglide-active-sport-shaving-cream-for-sensitive-skin>.

* cited by examiner

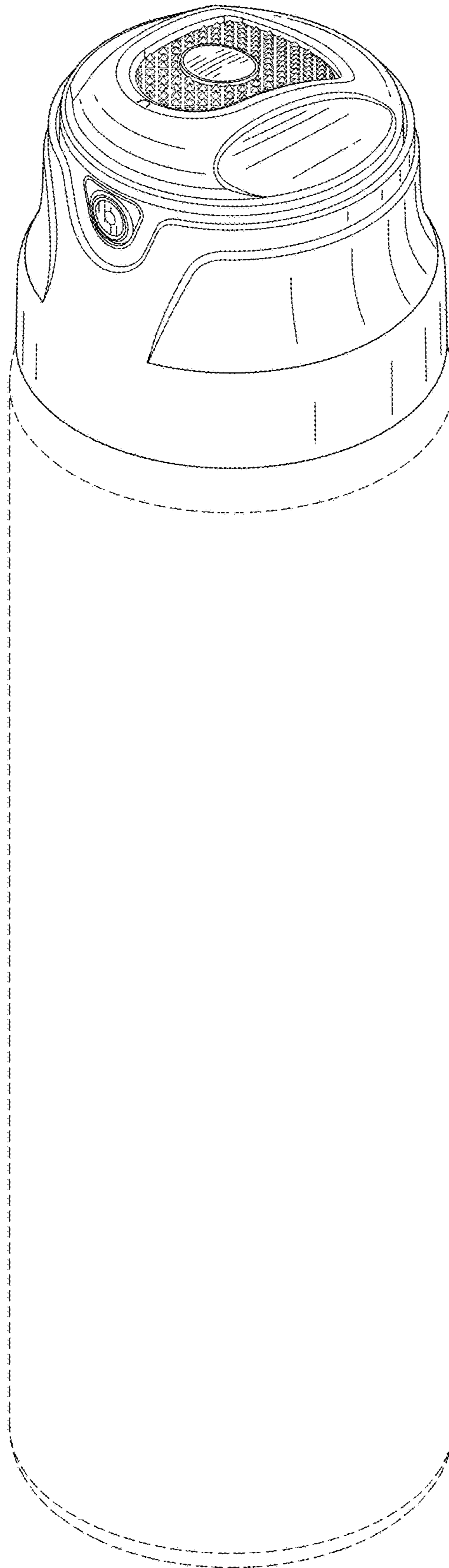


FIG. 1

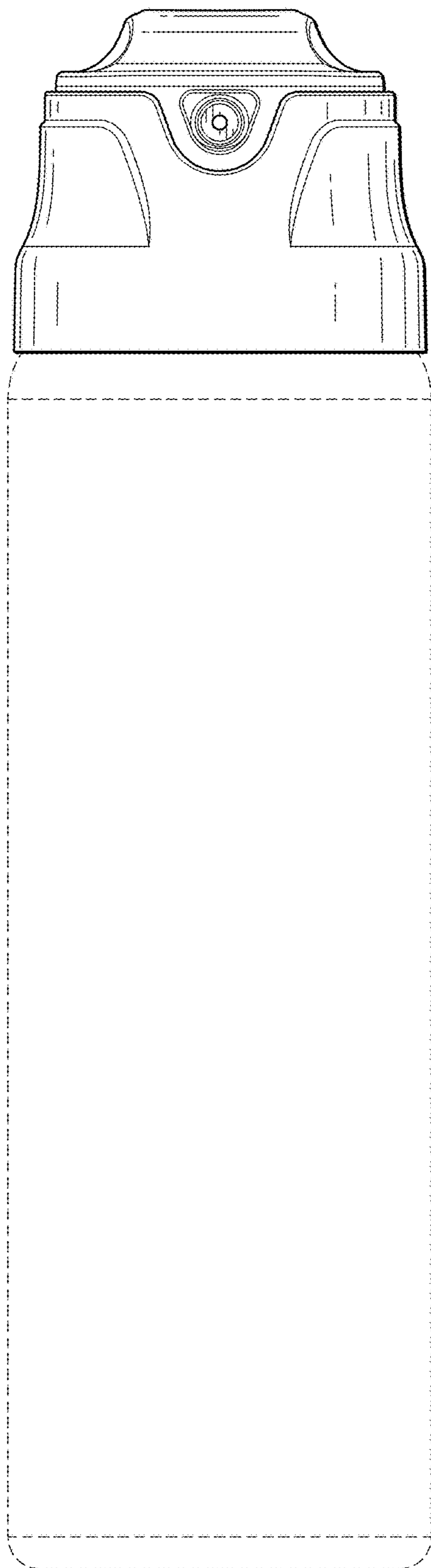


FIG. 2

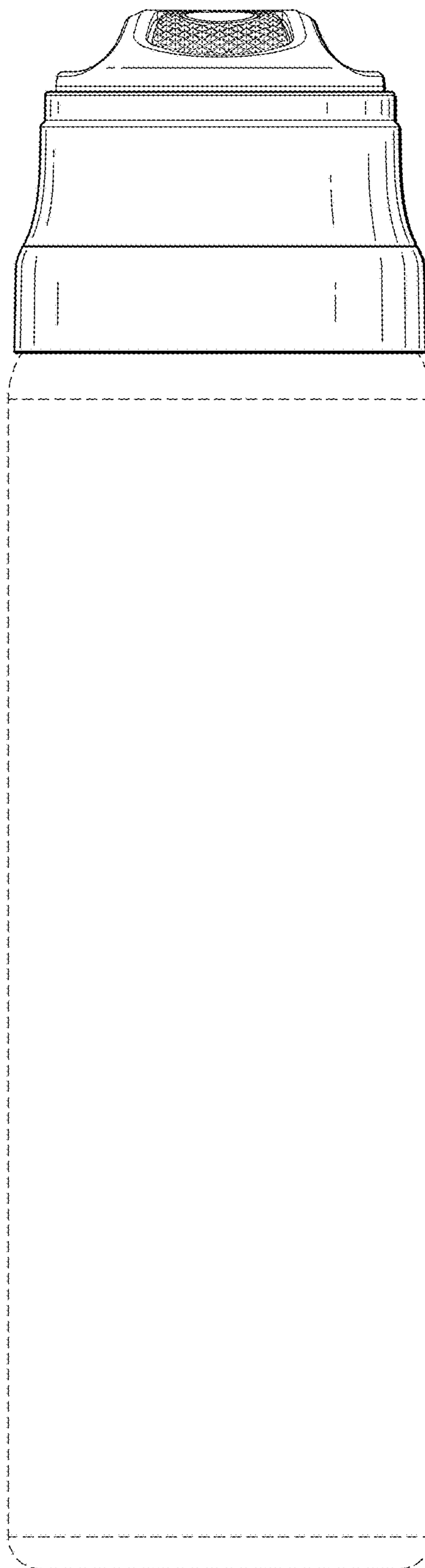


FIG. 3

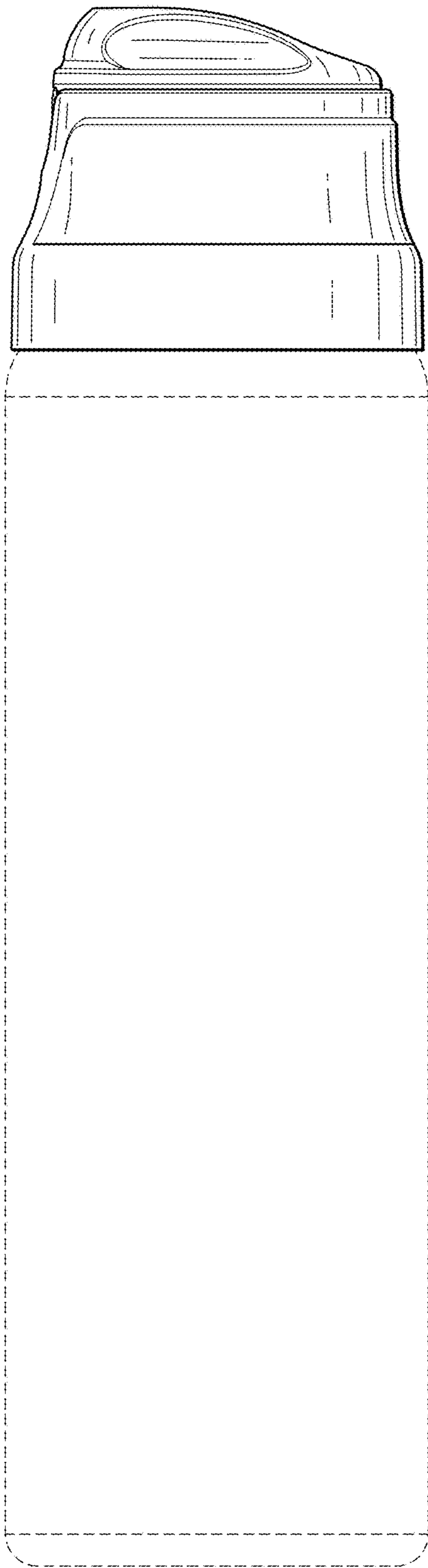


FIG. 4

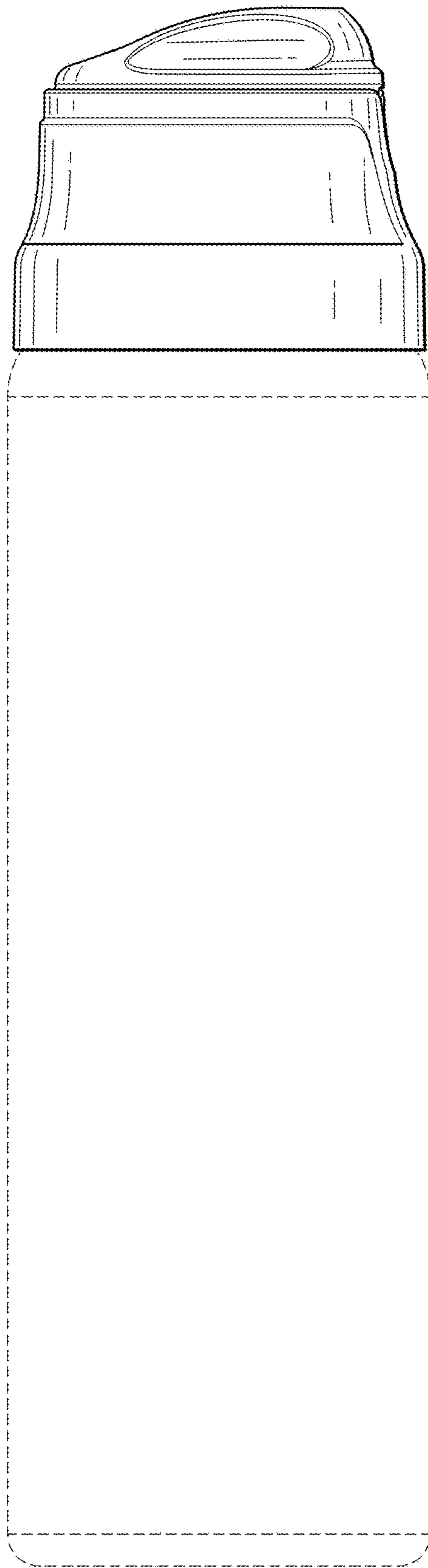


FIG. 5

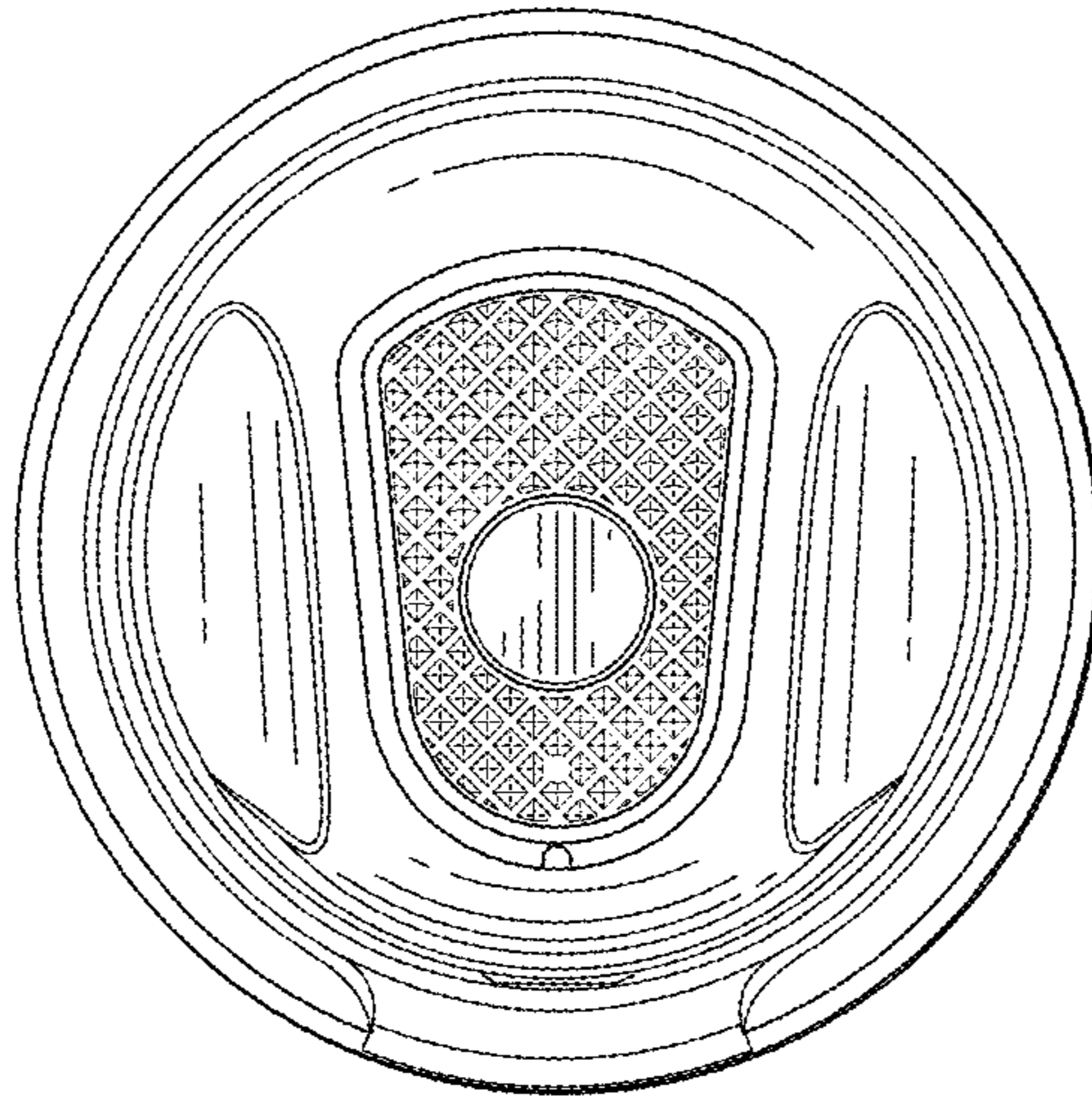


FIG. 6

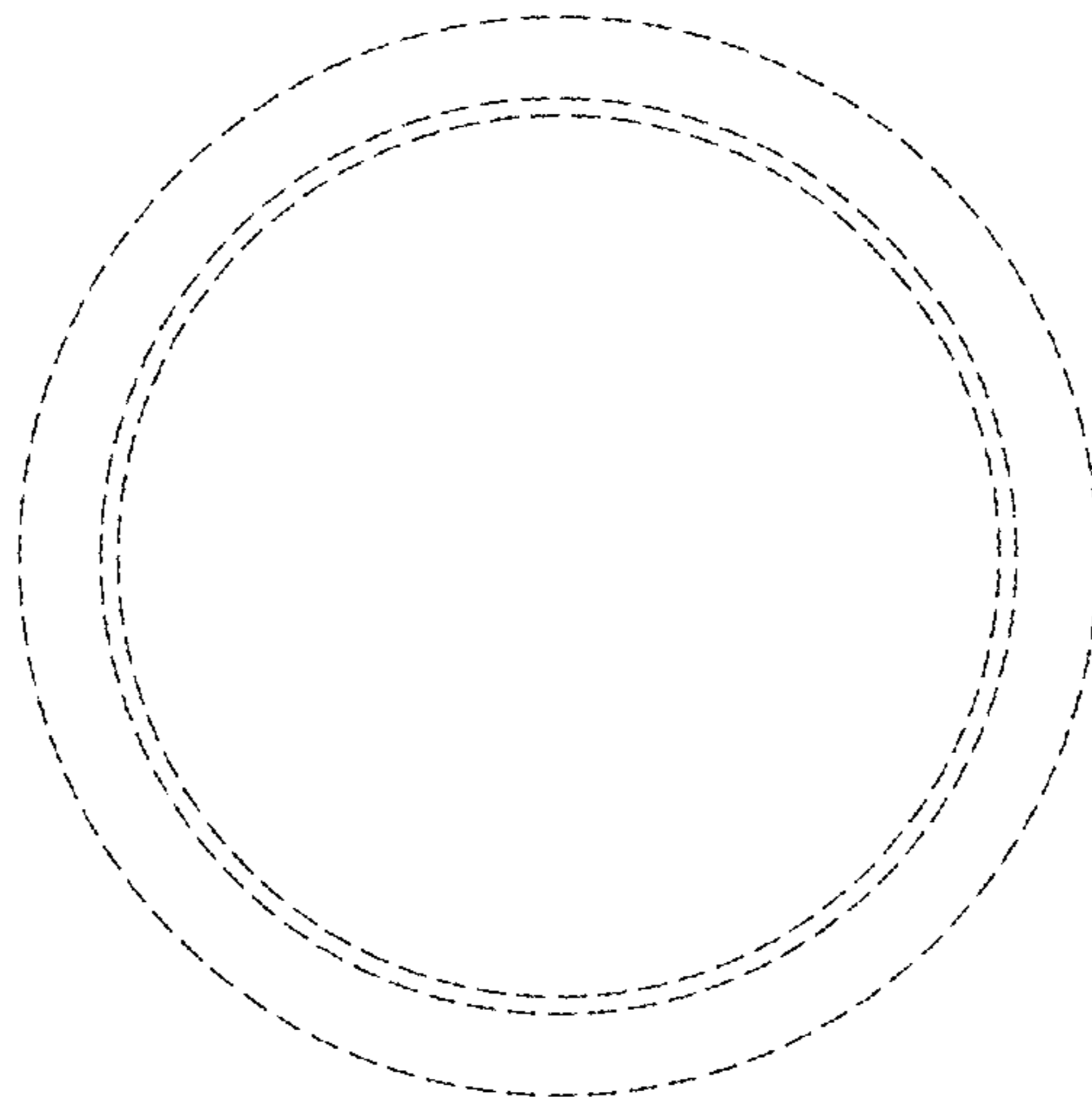


FIG. 7