

US00D798712S

(12) **United States Design Patent** (10) **Patent No.:** **US D798,712 S**  
**Fukumoto et al.** (45) **Date of Patent:** **\*\* Oct. 3, 2017**

(54) **CONTAINER LID**

(56) **References Cited**

(71) Applicants: **KIKKOMAN CORPORATION**,  
Chiba (JP); **YOSHINO KOGYOSHO**  
**CO., LTD.**, Tokyo (JP)

U.S. PATENT DOCUMENTS

D223,900 S \* 6/1972 Douglas et al. .... D9/446  
3,820,692 A \* 6/1974 Swett et al. .... B65D 47/0895  
222/547  
D274,309 S \* 6/1984 Aldrich, III ..... D9/446  
D298,014 S \* 10/1988 McGlyn ..... D9/446  
D306,701 S \* 3/1990 Beck ..... D9/446  
D374,399 S \* 10/1996 Neveras ..... D9/442  
D402,202 S \* 12/1998 Sherman ..... D9/446

(72) Inventors: **Masashi Fukumoto**, Noda (JP); **Denmi**  
**Kuwagaki**, Noda (JP); **Keisuke**  
**Miyairi**, Tokyo (JP); **Satoshi**  
**Sakamoto**, Tokyo (JP)

(Continued)

(73) Assignees: **Kikkoman Corporation**, Chiba (JP);  
**Yoshino Kogyosho Co., Ltd.**, Tokyo  
(JP)

*Primary Examiner* — Rhea Shields

(74) *Attorney, Agent, or Firm* — Sterne, Kessler,  
Goldstein & Fox P.L.L.C.

(\*\*) Term: **15 Years**

(57) **CLAIM**

(21) Appl. No.: **35/500,773**

The ornamental design for a container lid, as shown and  
described.

(22) Filed: **Sep. 30, 2015**

(80) **Hague Agreement Data**

**DESCRIPTION**

Int. Filing Date: **Sep. 30, 2015**

Int. Reg. No.: **DM/089060**

Int. Reg. Date: **Sep. 30, 2015**

Int. Reg. Pub. Date: **Apr. 1, 2016**

Container lid

**1.1** is a front view of a container lid showing the claimed  
design;

**1.2** is a rear view thereof;

**1.3** is a top view thereof;

**1.4** is a bottom view thereof;

**1.5** is a right side view thereof;

**1.6** is a top front perspective view of the container lid in an  
open configuration;

**1.7** is a top front perspective view of the container lid in a  
closed configuration;

**1.8** is an enlarged front view of the container lid;

**1.9** is an enlarged rear view thereof;

**1.10** is an enlarged top view thereof;

**1.11** is an enlarged right side view thereof;

**1.12** is an enlarged top front perspective view thereof;

**1.13** is a cross-sectional view thereof.

The left side view is omitted in each design since the left side  
view is symmetrical to a right side view.

(Continued)

(30) **Foreign Application Priority Data**

Apr. 1, 2015 (JP) ..... 2015-007390

Apr. 1, 2015 (JP) ..... 2015-007391

Apr. 1, 2015 (JP) ..... 2015-007392

Apr. 1, 2015 (JP) ..... 2015-007393

(51) **LOC (10) Cl.** ..... **09-07**

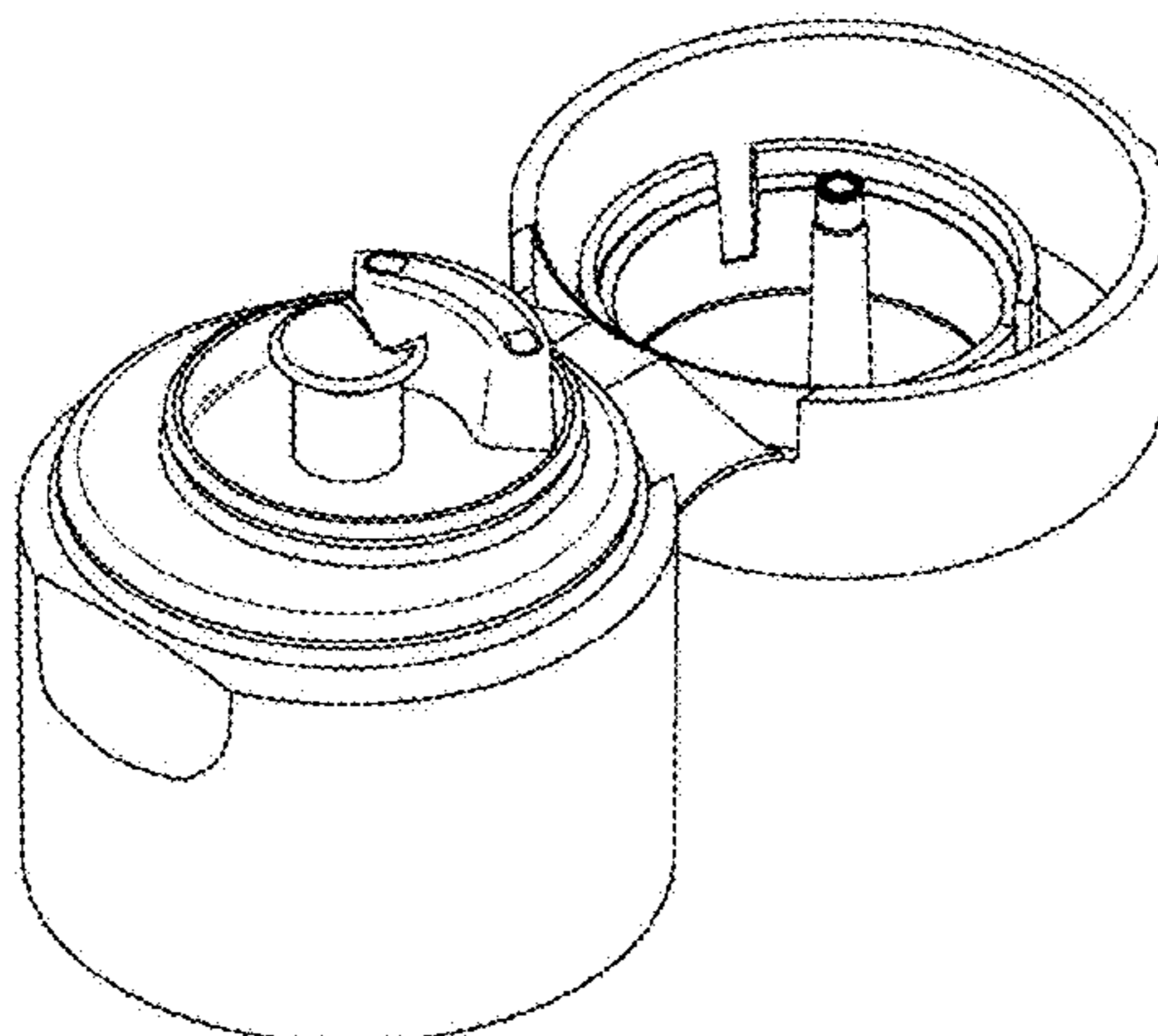
(52) **U.S. Cl.**  
USPC ..... **D9/447**

(58) **Field of Classification Search**

USPC ..... D9/447, 445, 434, 436, 446, 442;  
D7/300.2, 392.1, 396.2; 222/547

CPC ..... B65D 47/0895; B65D 47/0804

See application file for complete search history.



The broken lines in the reproductions show portions of the container lid that form no part of the claimed design.

**1 Claim, 13 Drawing Sheets**

(56)

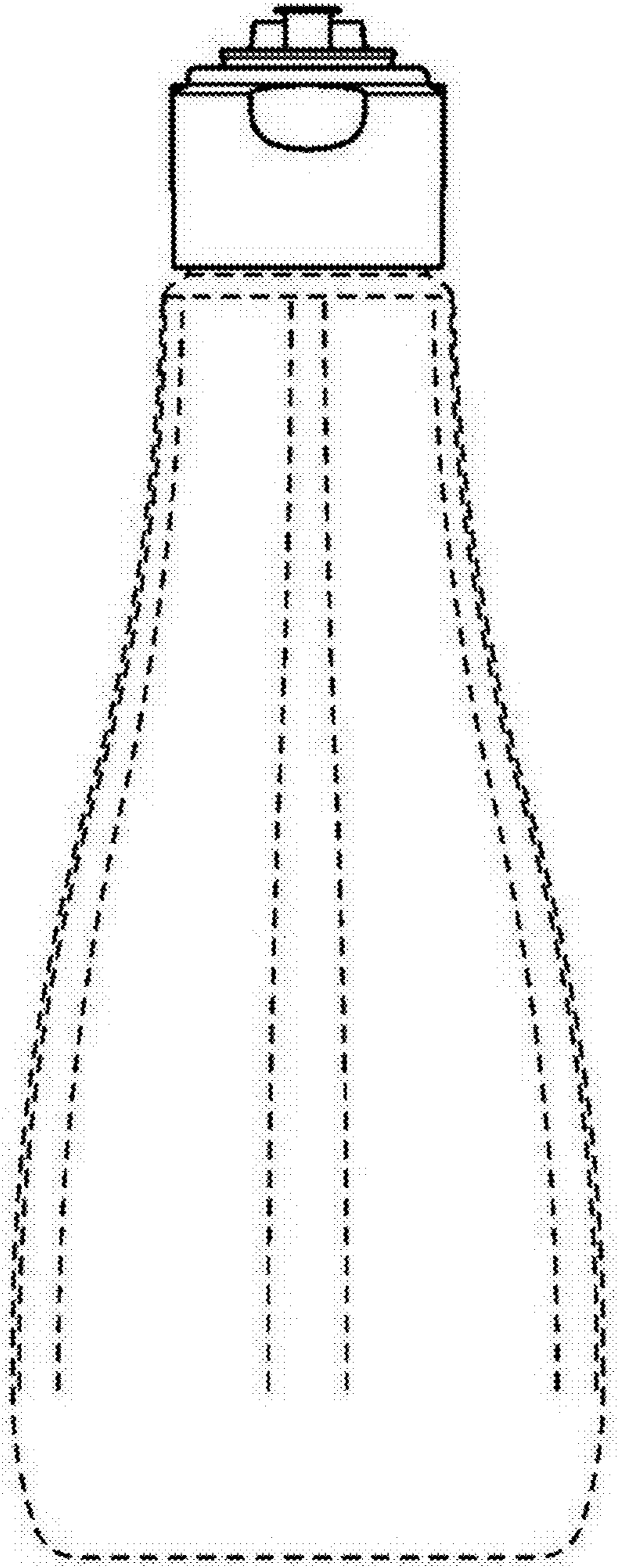
**References Cited**

U.S. PATENT DOCUMENTS

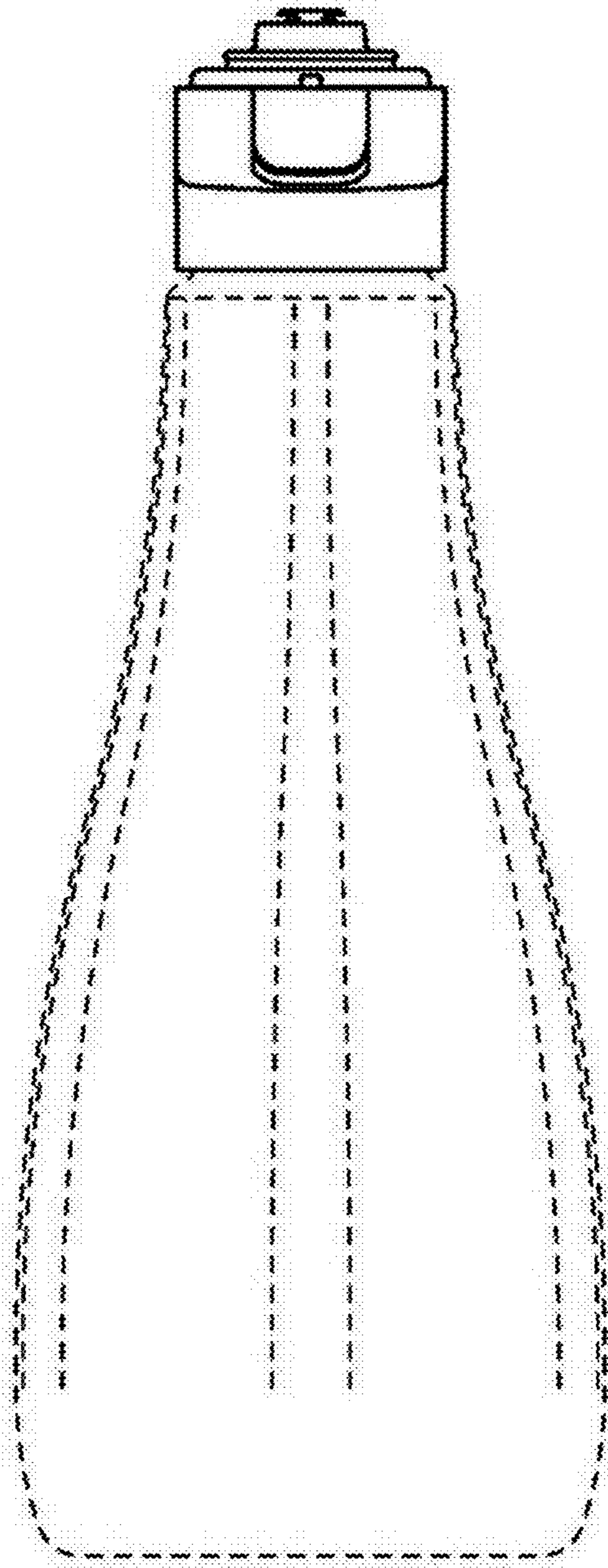
D519,369 S *	4/2006	Glover .....	B65D 47/0804 D9/447
D621,260 S *	8/2010	Brannon .....	D9/446
D629,685 S *	12/2010	Brannon .....	D9/446
D666,096 S *	8/2012	Cummings .....	D9/447
D666,098 S *	8/2012	Cummings .....	D9/447
D688,554 S *	8/2013	Fracasso .....	D9/447
D701,765 S *	4/2014	Fukumoto .....	D9/447
D707,125 S *	6/2014	Santarelli .....	D9/447
D710,198 S *	8/2014	Blowfield .....	D9/445
D732,957 S *	6/2015	Fox .....	D9/447
D736,622 S *	8/2015	Nishijima .....	D9/447
D763,078 S *	8/2016	Roy .....	D9/434
D768,482 S *	10/2016	Berlepsch .....	D9/436
D768,492 S *	10/2016	Kim .....	D9/434
D772,706 S *	11/2016	Zhang .....	D9/434
D776,534 S *	1/2017	Stratton .....	D7/300.2
D779,872 S *	2/2017	Bergstrom .....	D7/392.1
D780,578 S *	3/2017	Lane .....	D7/396.2

\* cited by examiner

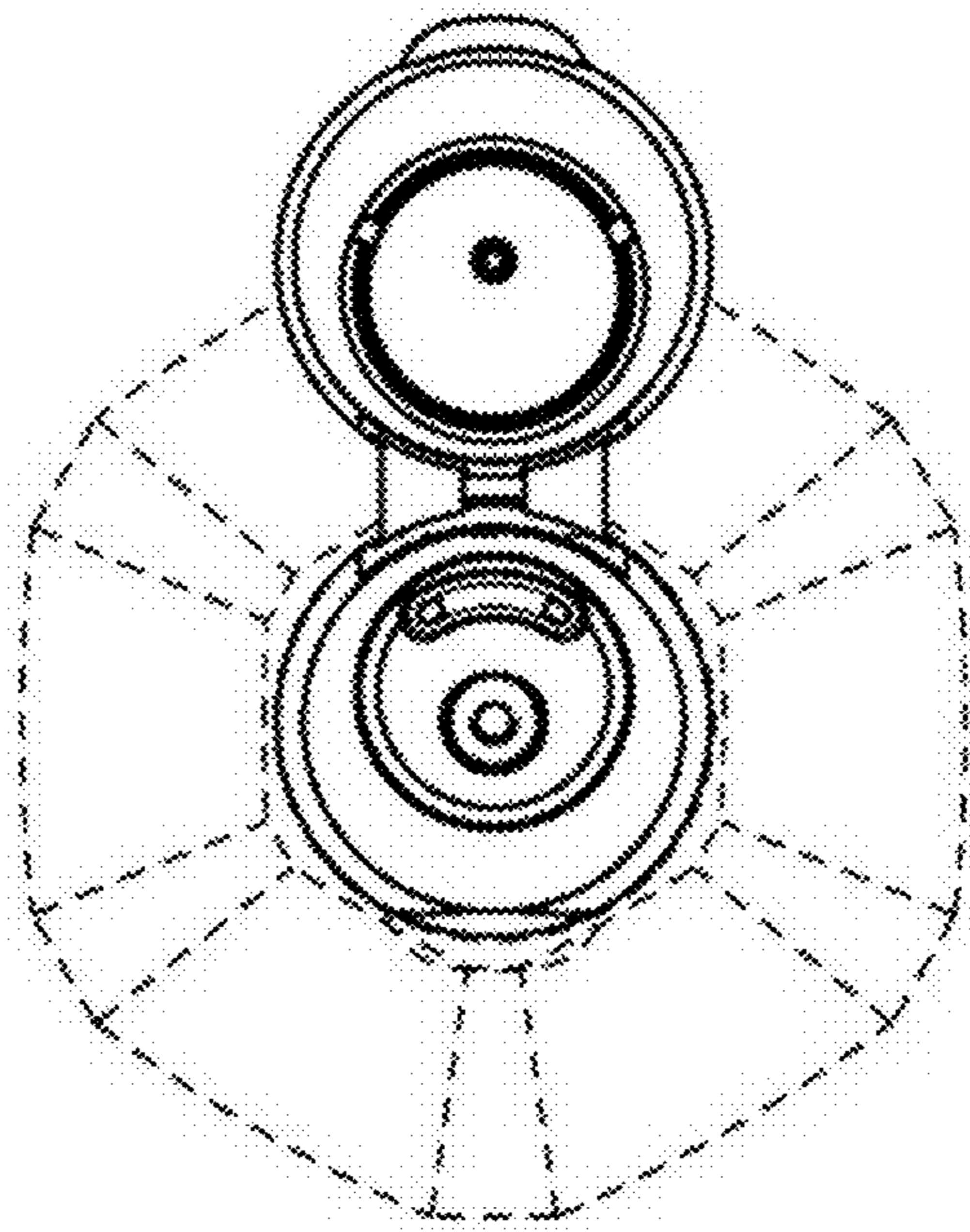
1.1



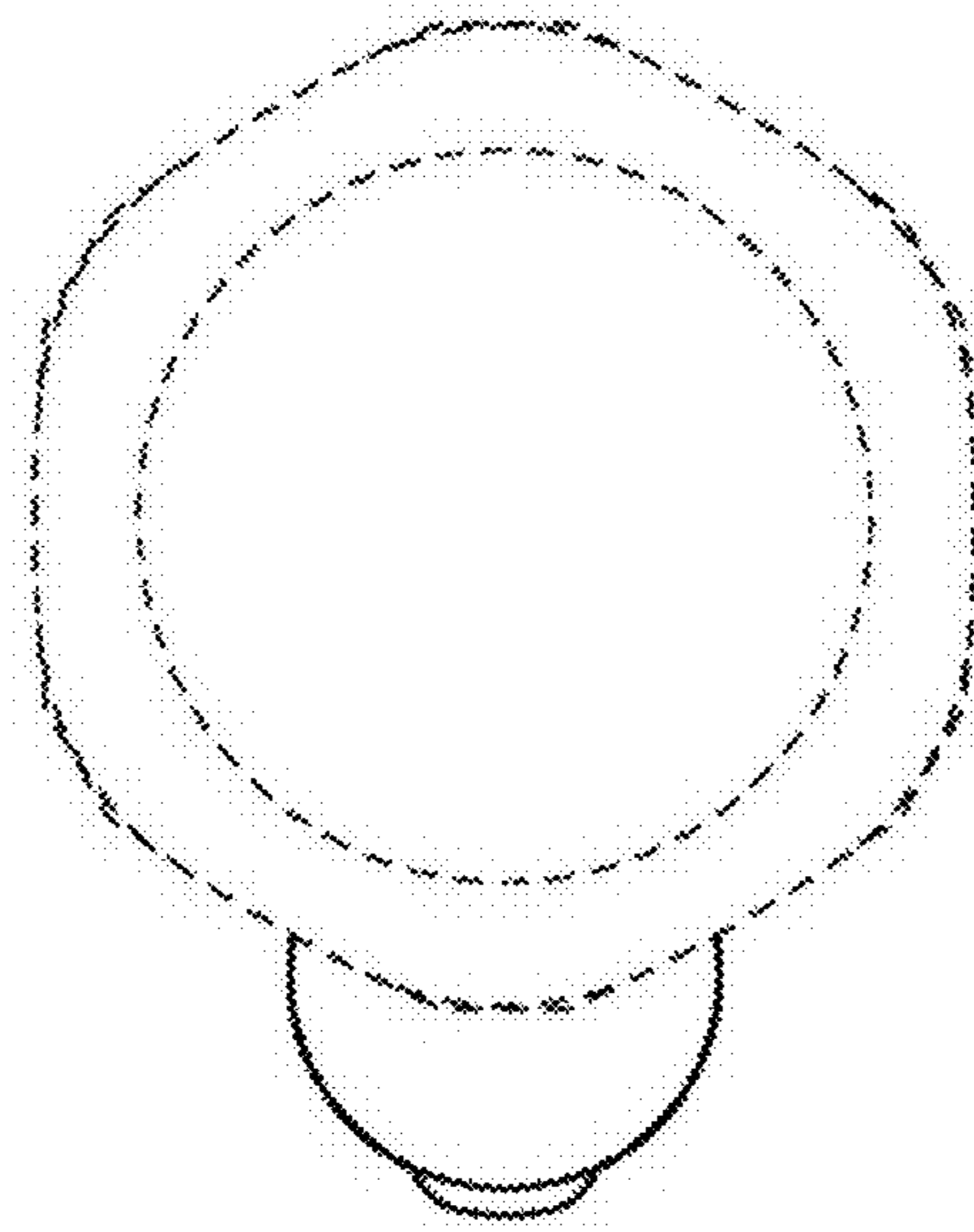
1.2



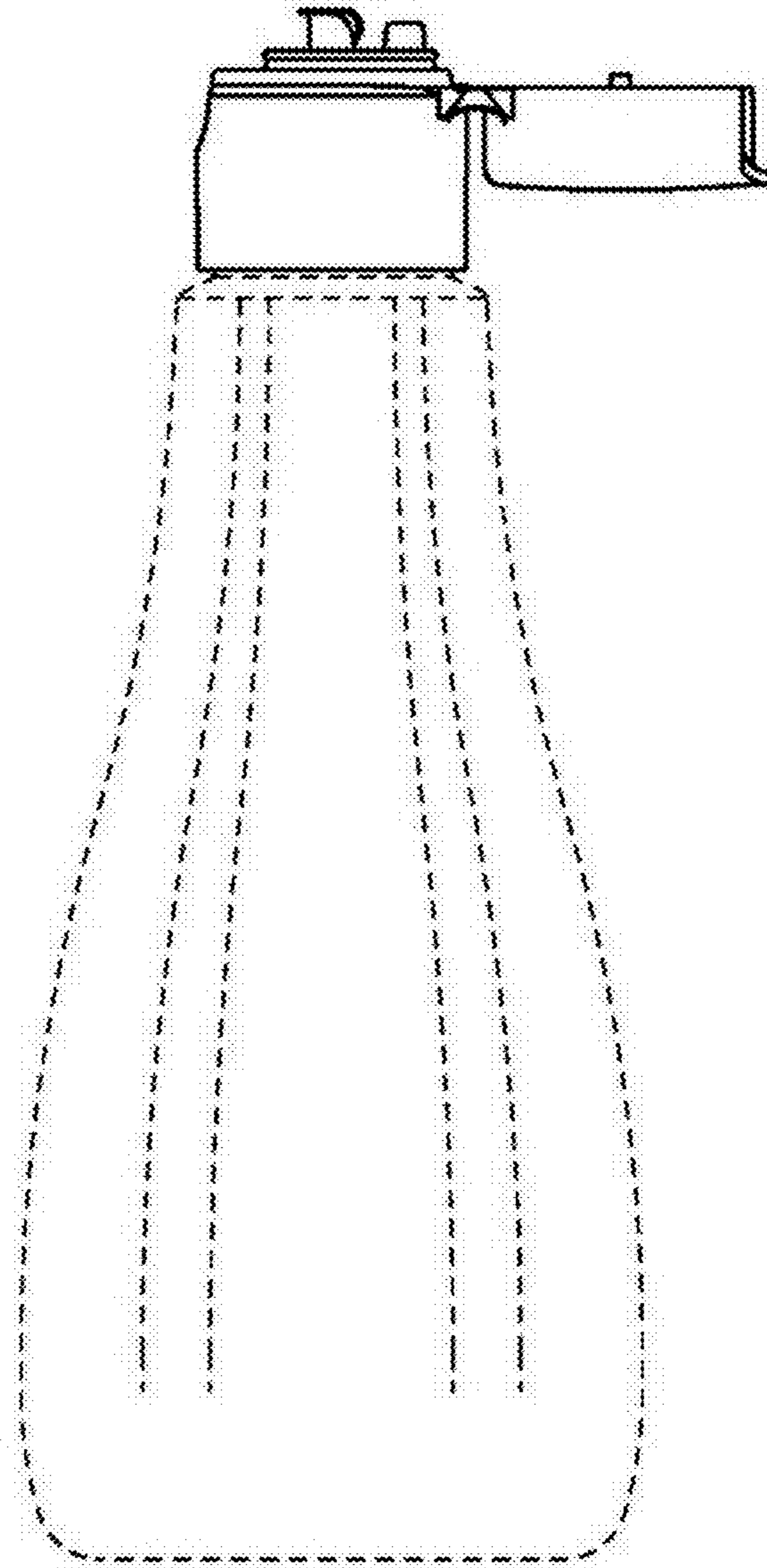
1.3



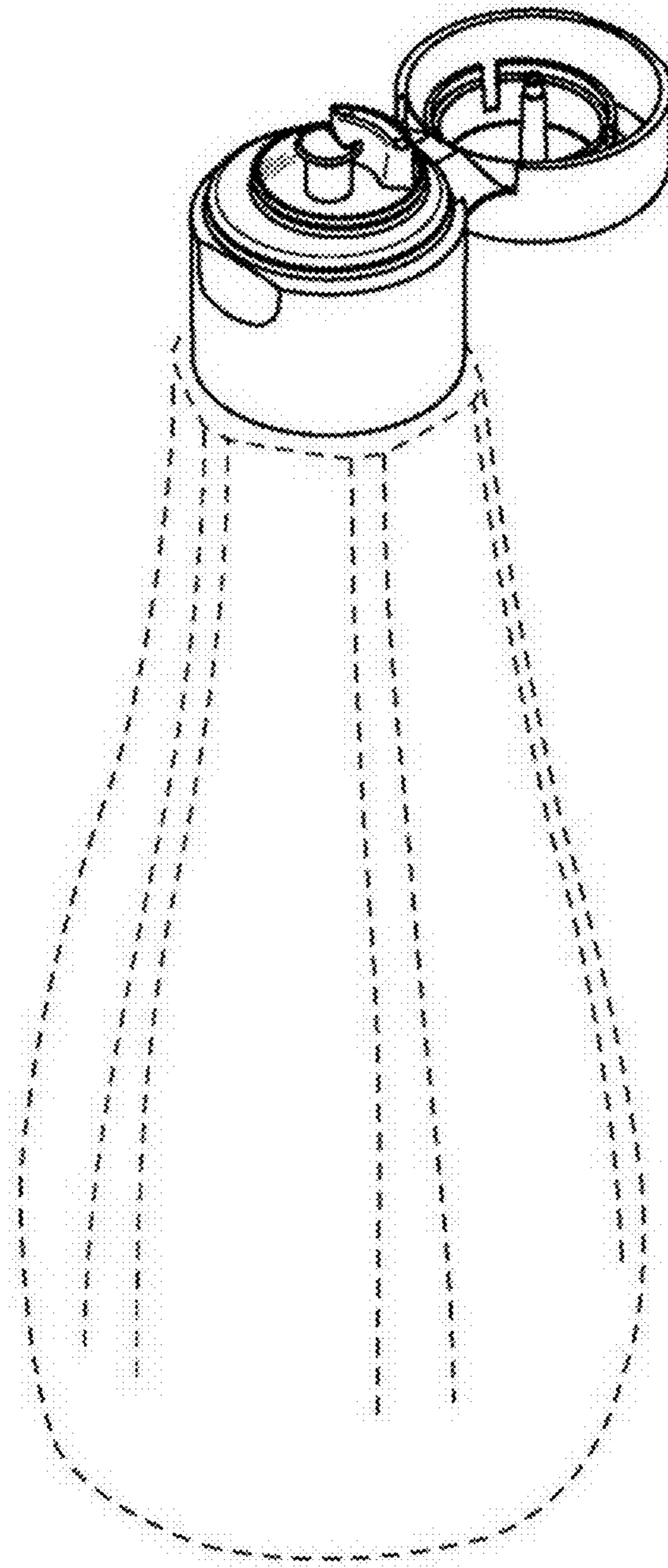
1.4



1.5

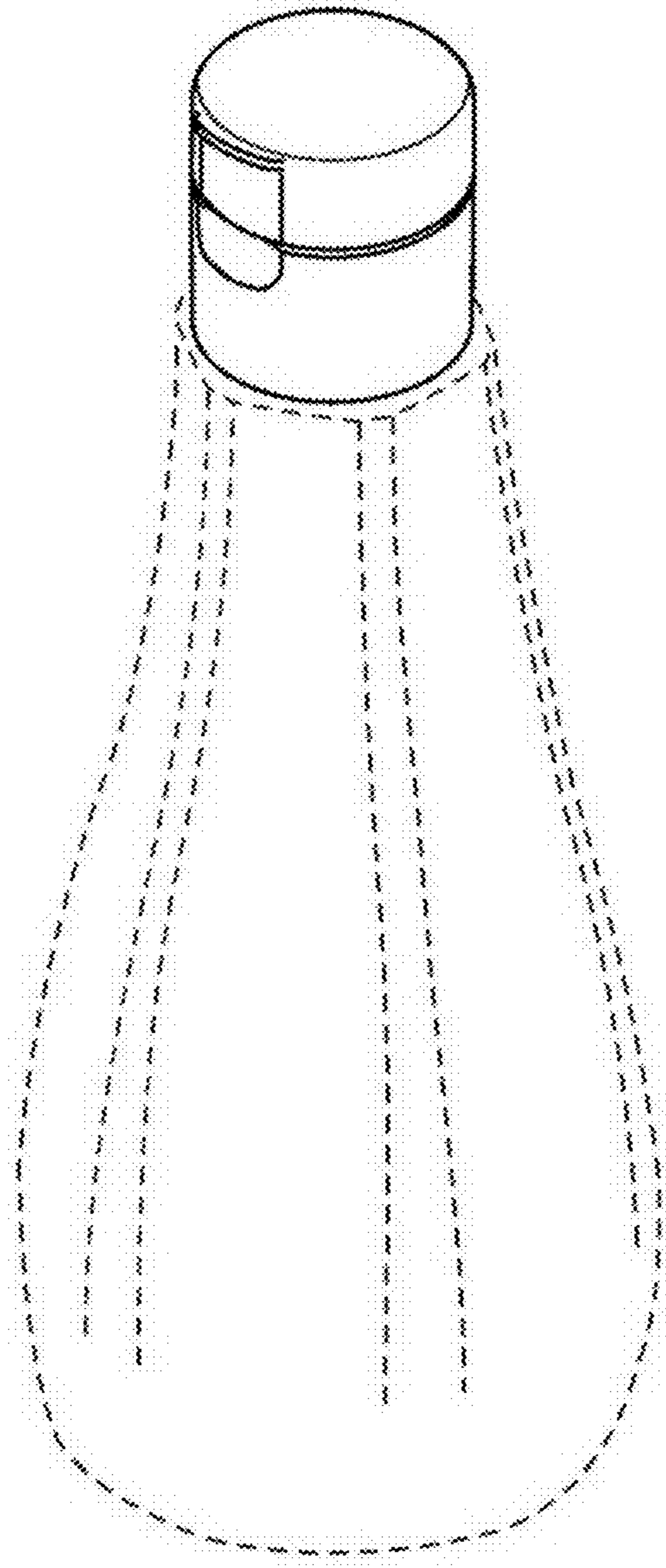


1.6

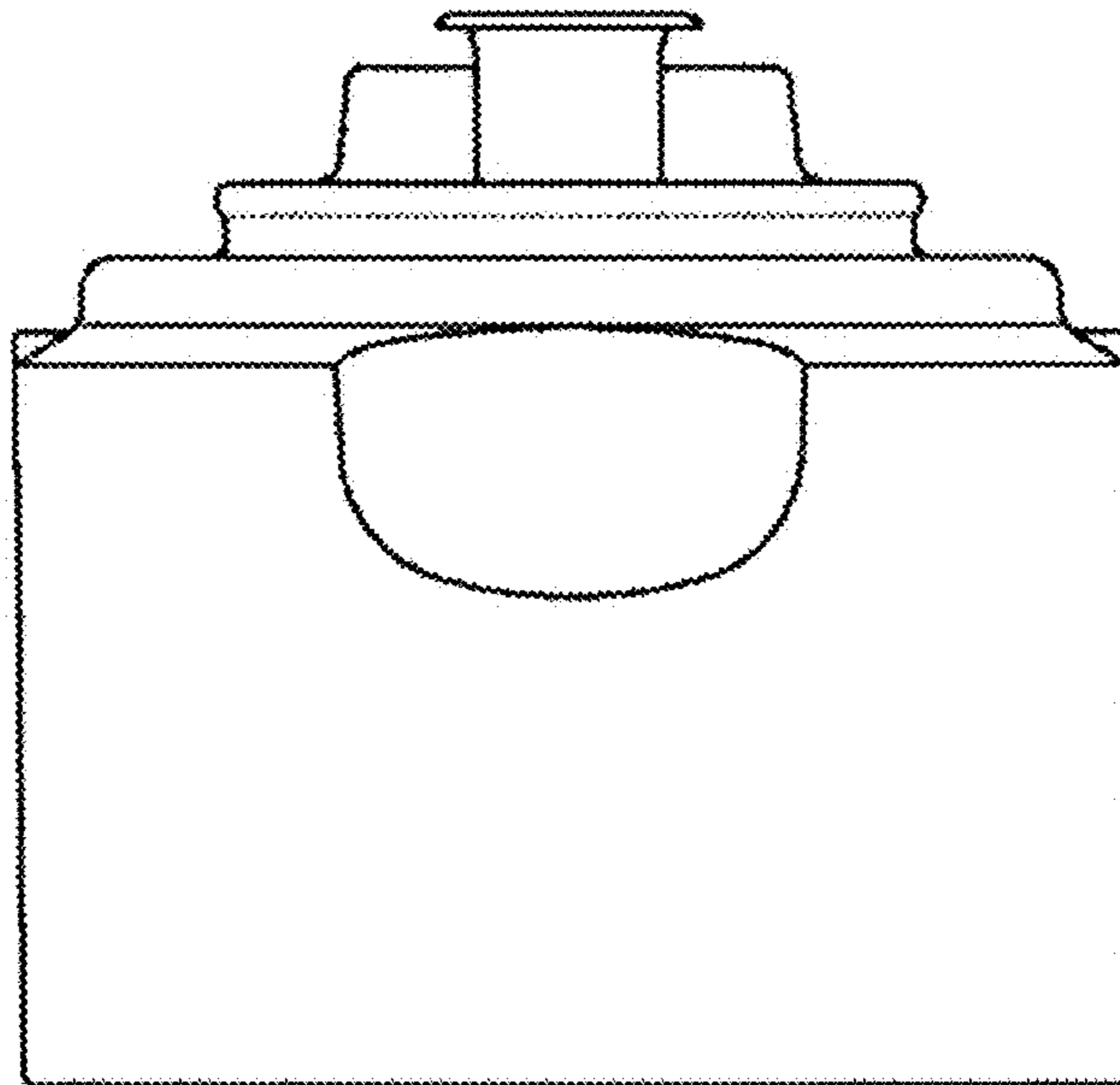




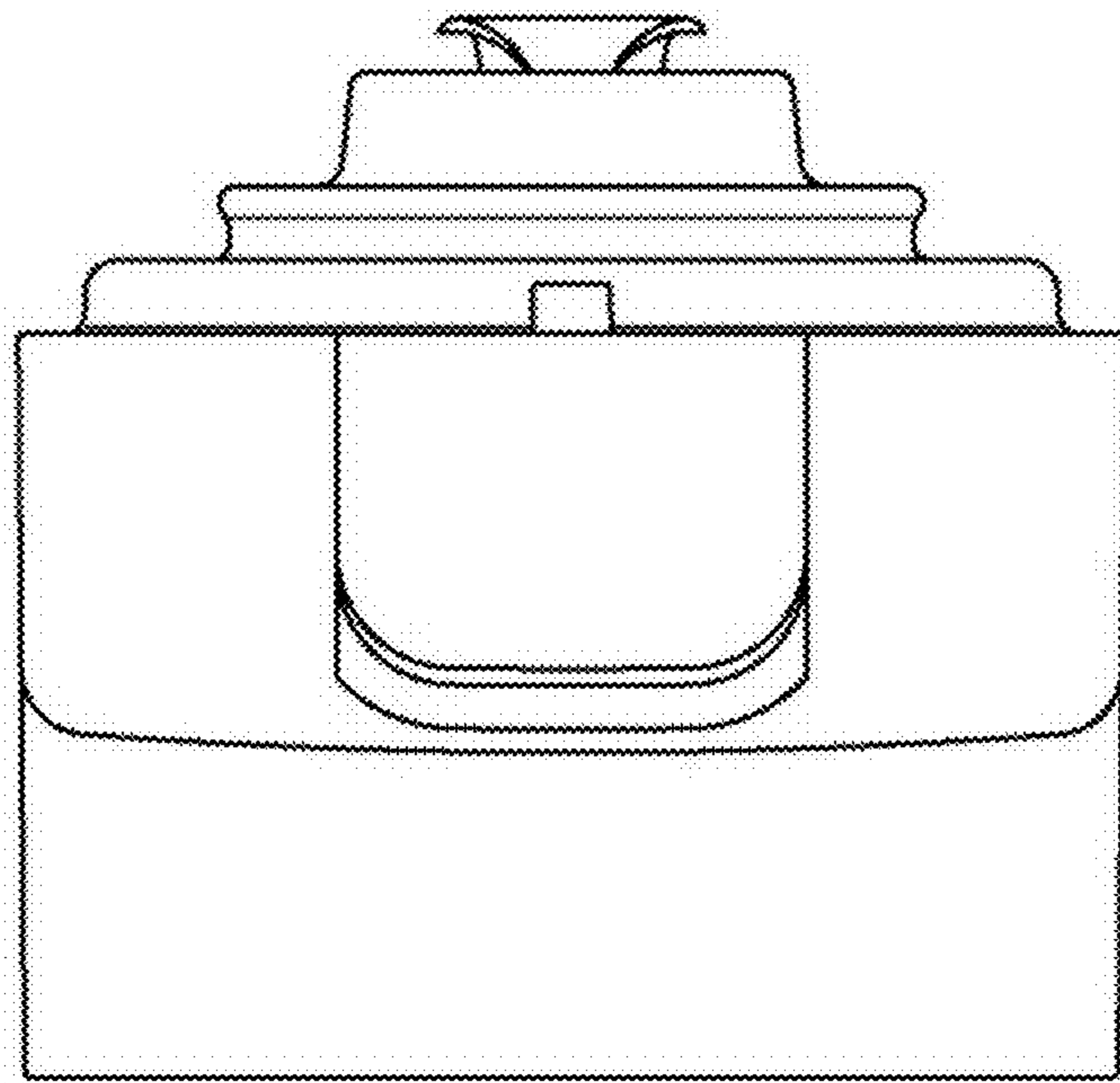
1.7



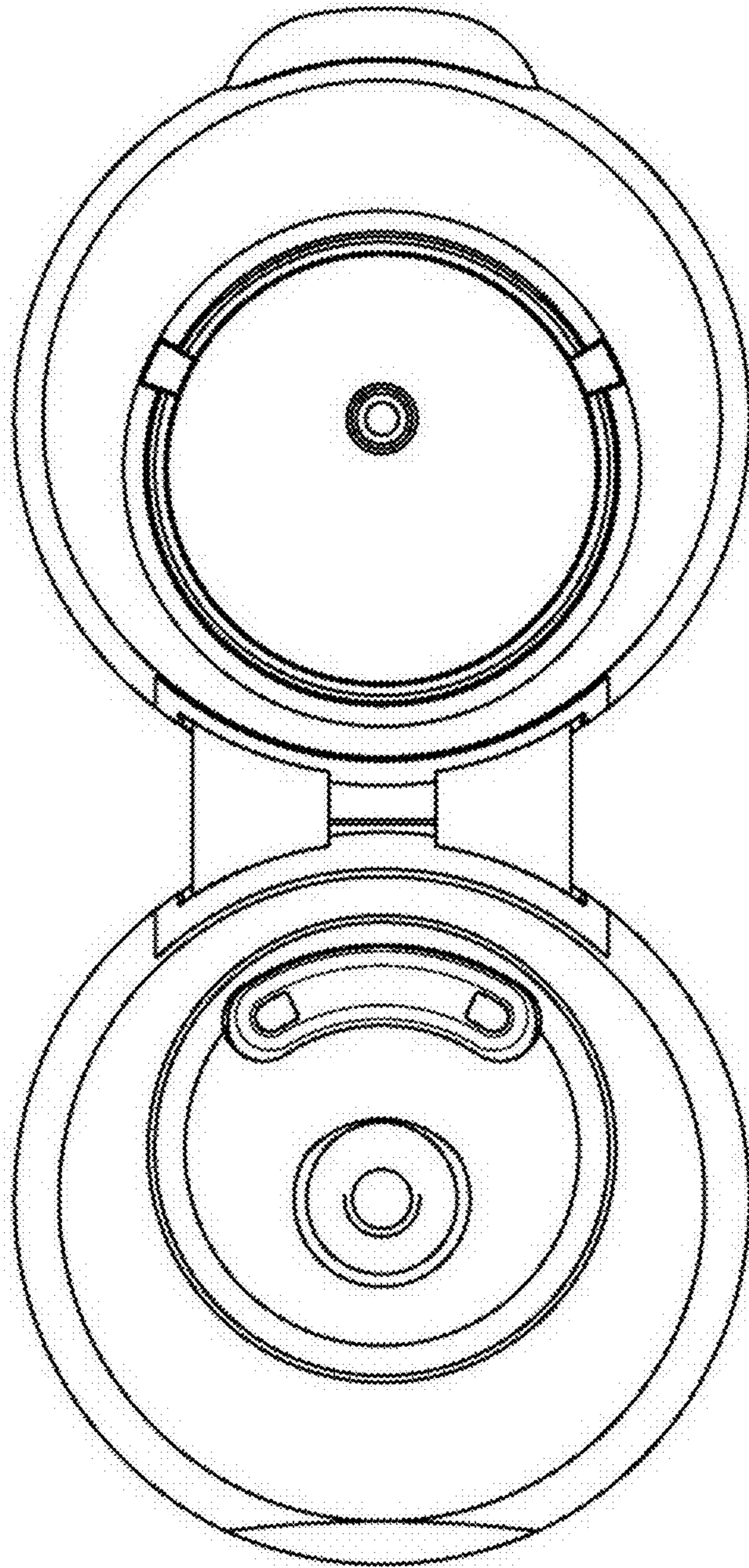
1.8



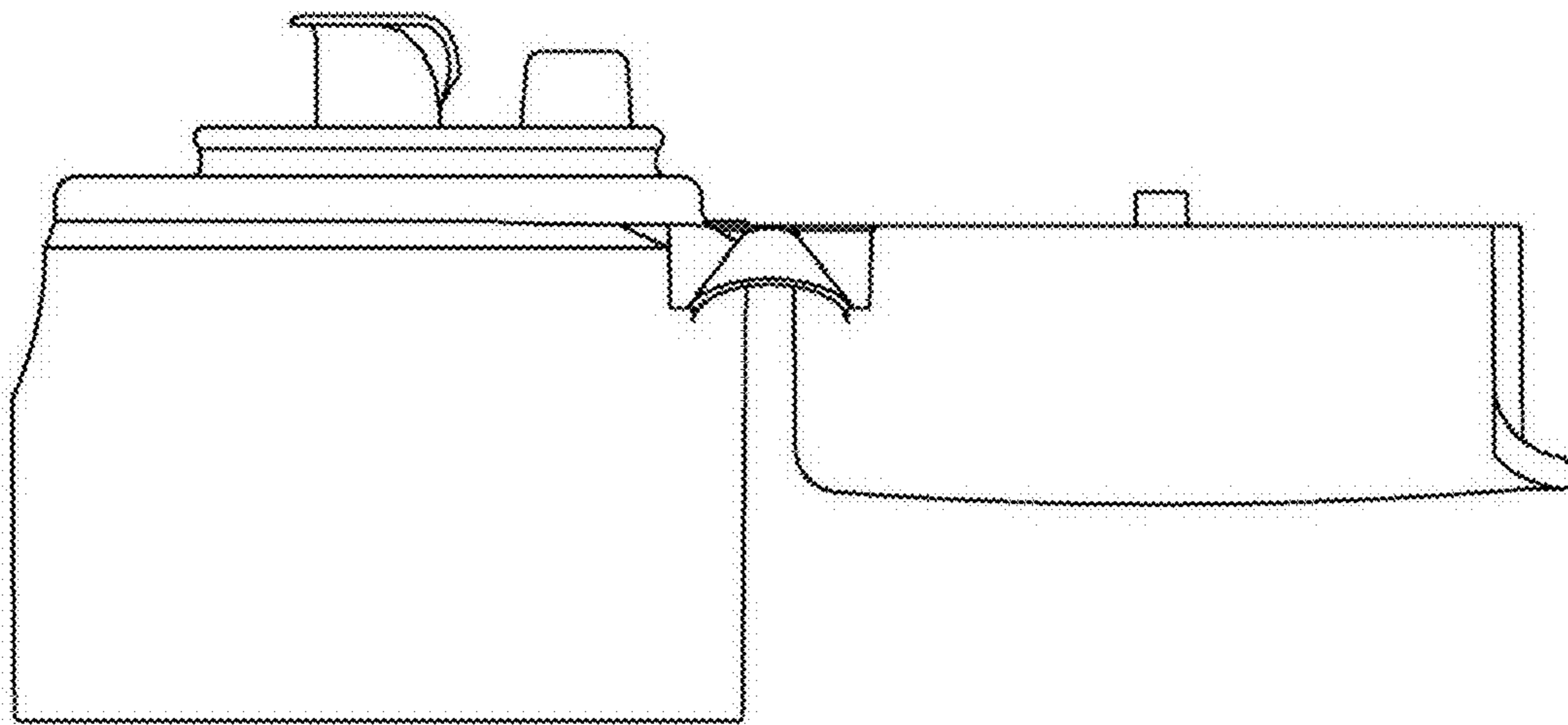
1.9



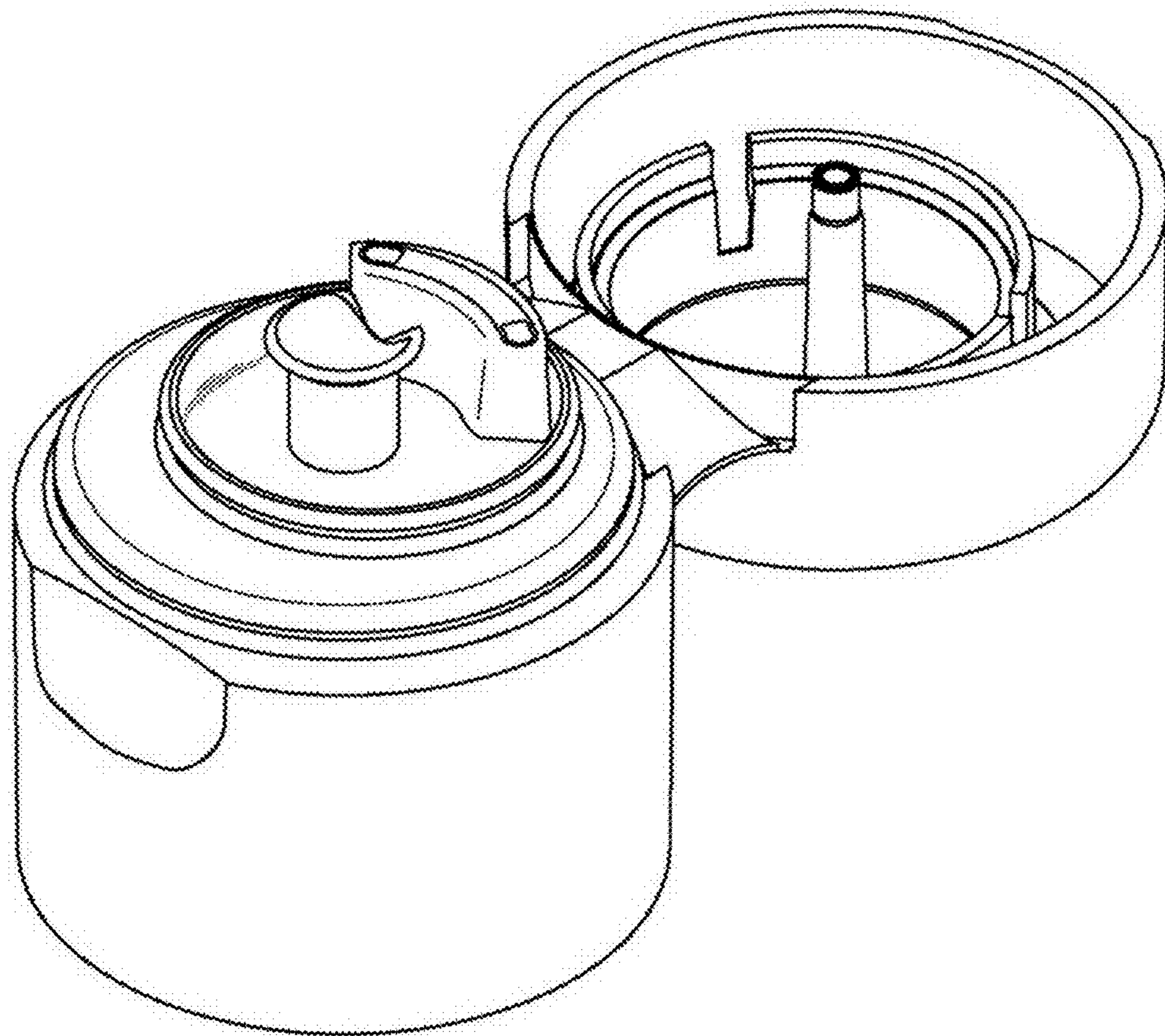
1.10



1.11



1.12



1.13

