



US00D798711S

(12) **United States Design Patent**
Chen

(10) **Patent No.:** **US D798,711 S**

(45) **Date of Patent:** **** Oct. 3, 2017**

(54) **POUR TOP FOR BEVERAGE CONTAINER**

D167,916 S * 10/1952 Voight D9/440
2,664,228 A * 12/1953 Radeloff 1/262
3,063,589 A 11/1962 Musel

(Continued)

(71) Applicant: **Franke Technology and Trademark Ltd.**, Hergiswil (CH)

(72) Inventor: **Chi-En Chen**, Vancouver (CA)

FOREIGN PATENT DOCUMENTS

(73) Assignee: **FRANKE TECHNOLOGY AND TRADEMARK LTD.** (CH)

DE 102005036784 A1 * 3/2005
DE 202004012137 U * 3/2005

(Continued)

(**) Term: **15 Years**

OTHER PUBLICATIONS

(21) Appl. No.: **29/555,036**

Posi-Pour Use & Care by AlcoholControls.com, posted at YouTube.com, posted on Jul. 5, 2012, site visited Jan. 13, 2017, <<https://www.youtube.com/watch?v=t9R1WUGH0LQ&feature=youtu.be>>.*

(Continued)

(22) Filed: **Feb. 18, 2016**

(51) **LOC (10) Cl.** **09-07**

(52) **U.S. Cl.**
USPC **D9/447**

(58) **Field of Classification Search**
USPC D7/396.2, 305, 308, 314, 312, 392.1,
D7/624.2, 387, 372; D9/719, 435,
D9/439-440, 443, 447, 544, 517, 444;
D11/4, 3, 26
CPC ... A47J 36/14; A44C 9/00; A44C 5/00; A47G
23/0241; A47G 23/0225; A47G 19/12;
A24D 1/00; A24D 1/16; B65D 47/06;
B65D 47/00; B65D 47/08; B65D 47/12;
B65D 39/00; B65D 81/38; B67D 3/00
See application file for complete search history.

Primary Examiner — Mary Ann Calabrese
Assistant Examiner — Messina L Smith
(74) *Attorney, Agent, or Firm* — Bergman & Song LLP;
Michael Bergman

(57) **CLAIM**

The ornamental design for a pour top for beverage container, as shown and described.

DESCRIPTION

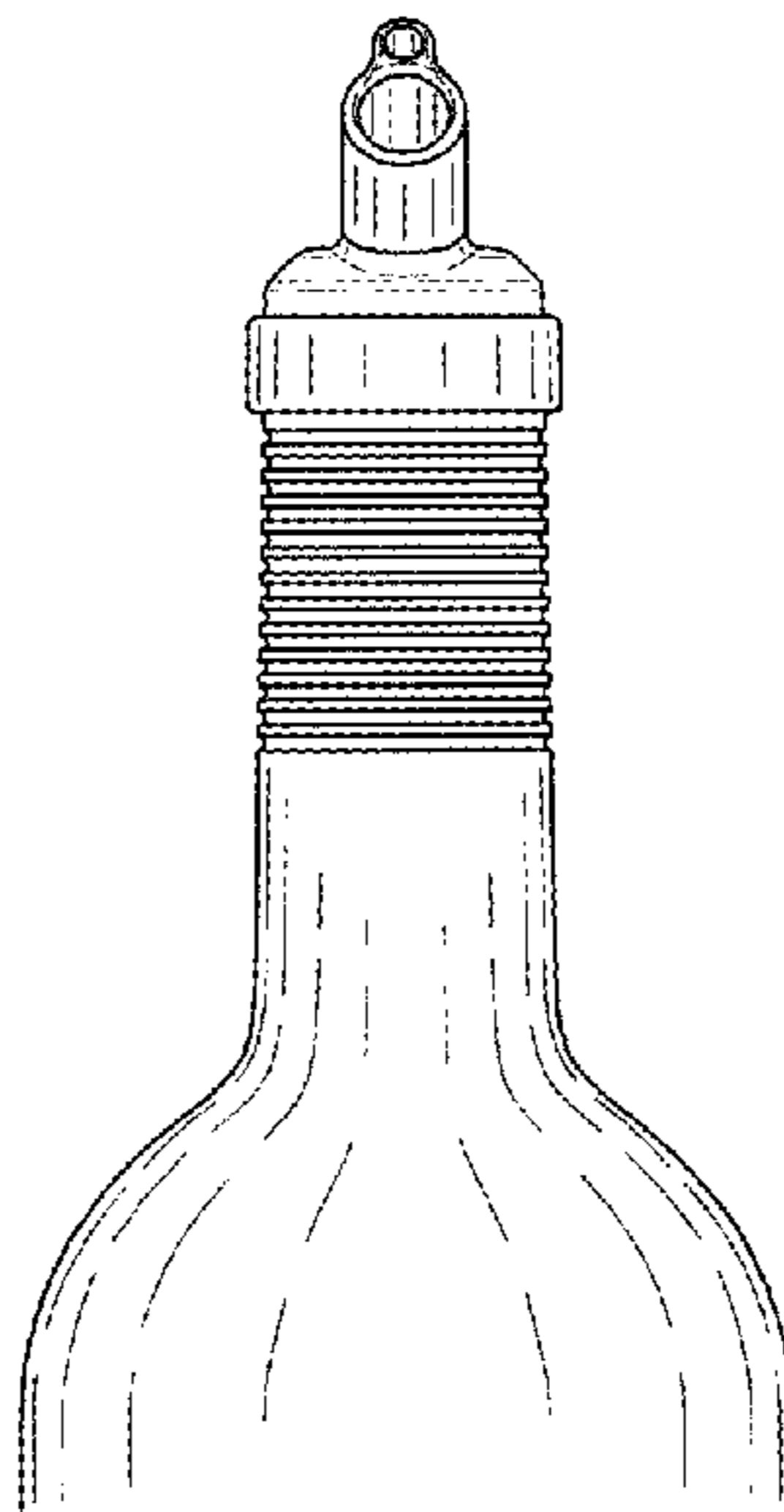
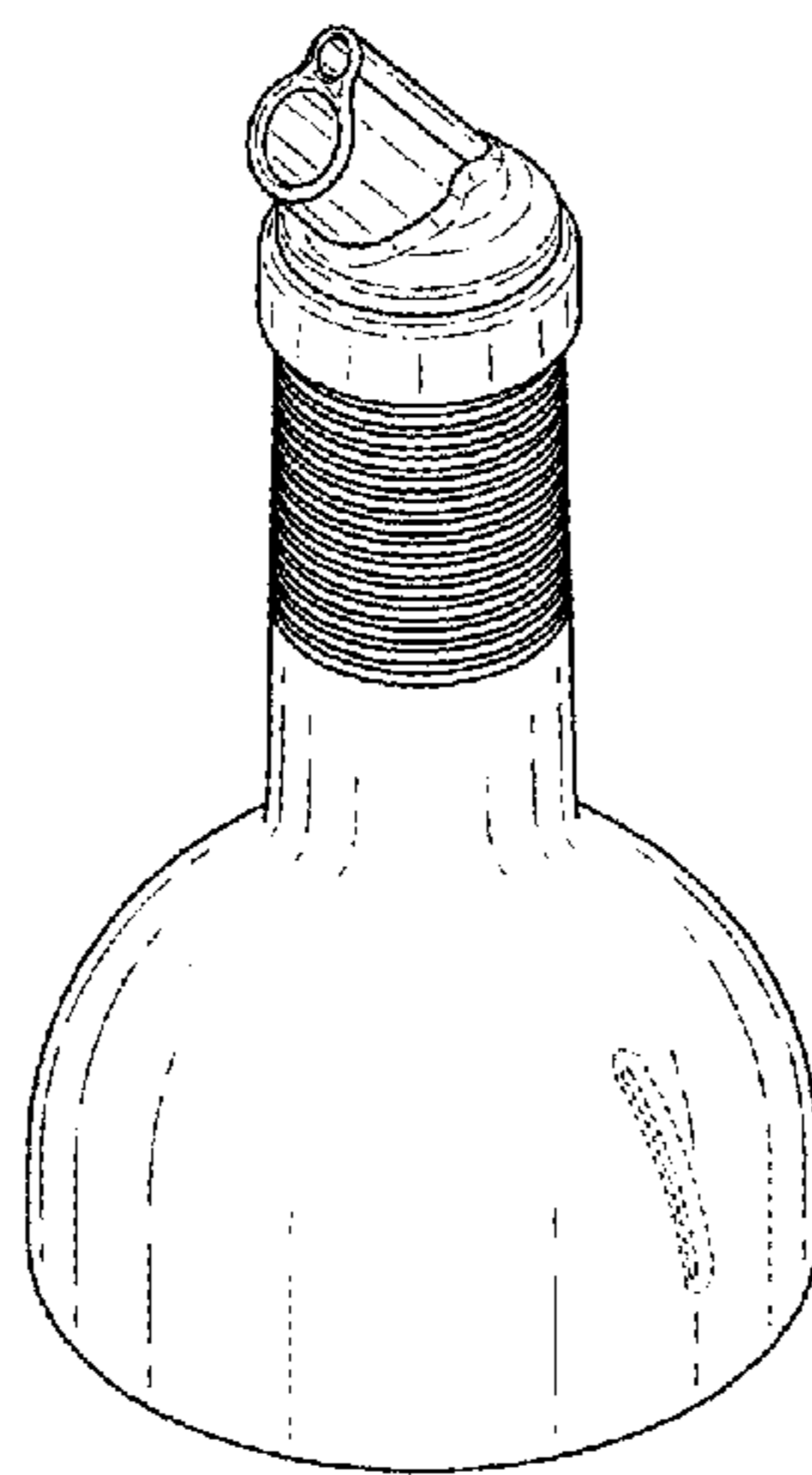
(56) **References Cited**

U.S. PATENT DOCUMENTS

217,127 A 7/1879 Luckhardt
1,143,525 A 6/1915 Ferris
1,970,798 A * 8/1934 Daly G09F 23/00
215/309
2,286,906 A * 6/1942 Gaines B65D 47/06
222/482
2,298,957 A 10/1942 Mazzarelli
2,477,984 A * 8/1949 Jackson B65D 51/248
222/113
D165,577 S * 1/1952 Fuld D9/447
D165,646 S * 1/1952 Fuld D9/447

FIG. 1 is a perspective view of a pour top for beverage container according to the design;
FIG. 2 is a front elevation view thereof;
FIG. 3 is a rear elevation view thereof;
FIG. 4 is a right side elevation view thereof;
FIG. 5 is a left side elevation view thereof;
FIG. 6 is a top plan view thereof; and,
FIG. 7 is a bottom plan view thereof.
The broken lines shown in the drawings illustrate portions of the pour top for beverage container that form no part of the claimed design.

1 Claim, 4 Drawing Sheets



(56)

References Cited

U.S. PATENT DOCUMENTS

3,104,786 A 9/1963 Sanchis
 3,139,224 A * 6/1964 Bloom B65D 47/065
 222/478
 3,235,133 A * 2/1966 Zimmerman B65D 47/06
 222/189.06
 3,338,482 A 8/1967 Jordan
 3,422,998 A * 1/1969 Murray B65D 47/06
 222/481
 3,430,826 A * 3/1969 Microulis B65D 41/22
 215/309
 3,750,915 A * 8/1973 Kearney B65D 47/14
 222/484
 4,452,381 A 6/1984 Freeman
 D274,791 S 7/1984 Freeman
 D290,686 S 7/1987 Board
 4,871,096 A 10/1989 Horian
 D356,934 S 4/1995 Lenox
 D369,550 S * 5/1996 Crosby D9/435
 5,746,358 A * 5/1998 Crosby B65D 47/06
 222/479
 D421,908 S * 3/2000 Abrams D9/440
 D438,117 S 2/2001 Shefler
 6,196,425 B1 3/2001 Fielding et al.
 6,230,944 B1 5/2001 Castellano et al.
 D452,436 S 12/2001 Darr et al.
 D587,571 S * 3/2009 Gonzales, Jr. D9/440
 8,011,540 B1 * 9/2011 Peckels B01F 3/04099
 222/190
 D649,046 S * 11/2011 Baker D9/435
 8,079,484 B2 12/2011 Wachsberg
 D668,953 S 10/2012 Maxwell
 D671,010 S 11/2012 Shefler
 D679,600 S 4/2013 Gonzalez Rodriguez
 D776,354 S 1/2017 Schlatter
 2003/0046971 A1 3/2003 Enoki
 2008/0099514 A1 * 5/2008 Carter B65D 47/2037
 222/472
 2008/0272147 A1 * 11/2008 Buker B65D 47/06
 222/113
 2010/0012617 A1 1/2010 Ulibarri
 2011/0036873 A1 * 2/2011 Peckels B67D 3/0045
 222/476
 2012/0091171 A1 * 4/2012 Lovelace, III B65D 47/127
 222/562
 2013/0319253 A1 12/2013 Smith

2013/0334161 A1 12/2013 Meager
 2014/0252014 A1 9/2014 Bernstein et al.
 2015/0174537 A1 6/2015 Foldesi, Jr. et al.
 2015/0274384 A1 * 10/2015 Goldstein B65D 47/32
 222/1
 2016/0039583 A1 2/2016 Brown et al.
 2016/0176589 A1 * 6/2016 Averill B01F 5/0619
 222/190
 2016/0229604 A1 * 8/2016 Carsello B65D 51/244
 2016/0297576 A1 * 10/2016 Hill B65D 47/122

FOREIGN PATENT DOCUMENTS

EP 1010628 B1 3/2005
 GB 688967 3/1953
 WO WO 2011/097322 8/2011

OTHER PUBLICATIONS

Everything You Never Wanted to Know About Pourers, posted at Thetruthaboutbartending.com, posted on Sep. 4, 2012, site visited Jan. 13, 2017, <<http://thetruthaboutbartending.com/2012/09/04/ev-erything-you-never-wanted-to-know-about-pourers/>>.*
 Measured Liquor Bottle Pourers—1 ½ oz, posted at Kegworks.com, posted on Oct. 22, 2015, site visited Jan. 13, 2017, <<https://www.kegworks.com/measured-liquor-bottle-pourers-1-1-2-oz>>.*
 12 Red Free Flow Liquor Pourer Pour Spouts, posted at Amazon.com, posted on Nov. 8, 2012, site visited Jan. 13, 2017, <<https://www.amazon.com/Free-Flow-Liquor-Pourer-Spouts/dp/B00A3ZC7VM>>.*
 Juice Pourers; <https://www.barproducts.com/bar-owners/pourers/juice-pourers>; published prior to Jan. 11, 2016.
 Kellm High Precision No Drip Glass Olive Oil Bottle, posted at amazon.com, available Jun. 12, 2016, © 1996-2017 amazon.com, [online], [site visited Jan. 31, 2017]. Available from Internet, <URL: <https://www.amazon.com/dp/B01GYAMADO?psc=1>>.*
 Retro Glass Oil & Vinegar Bottles Cruet Set with Pourers, posted at amazon.com, available Sep. 26, 2012, © 1996-2017 amazon.com, [online], [site visited Jan. 31, 2017]. Available from Internet, <URL: https://www.amazon.com/Retro-Glass-Vinegar-Bottles-Pourers/dp/B009HOT5HI/ref=pd_sbs_79_30?_encoding=UTF8&psc=1&refRID=XGWF62J1Z24TOPTBW1QZ>.*

* cited by examiner

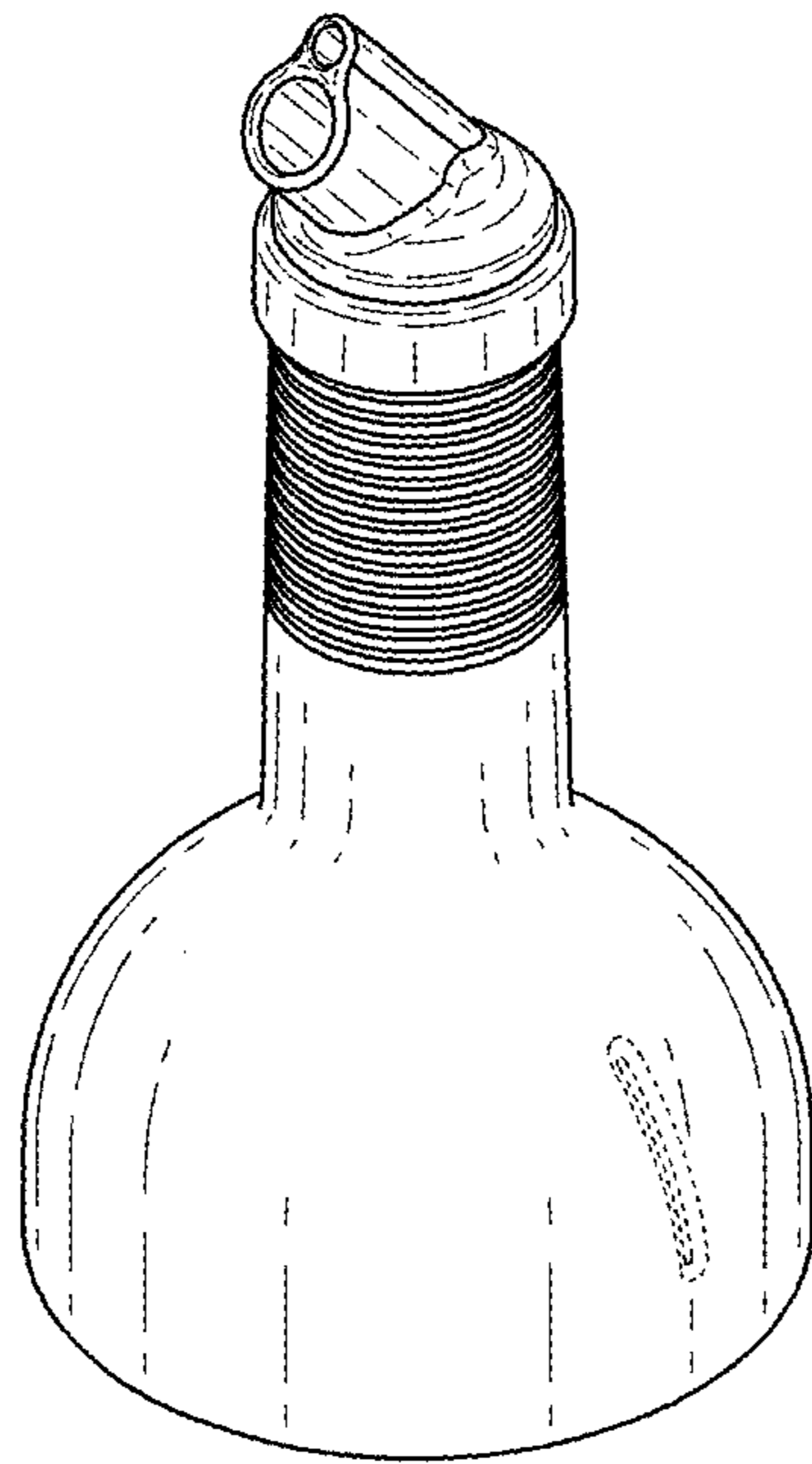


FIG. 1

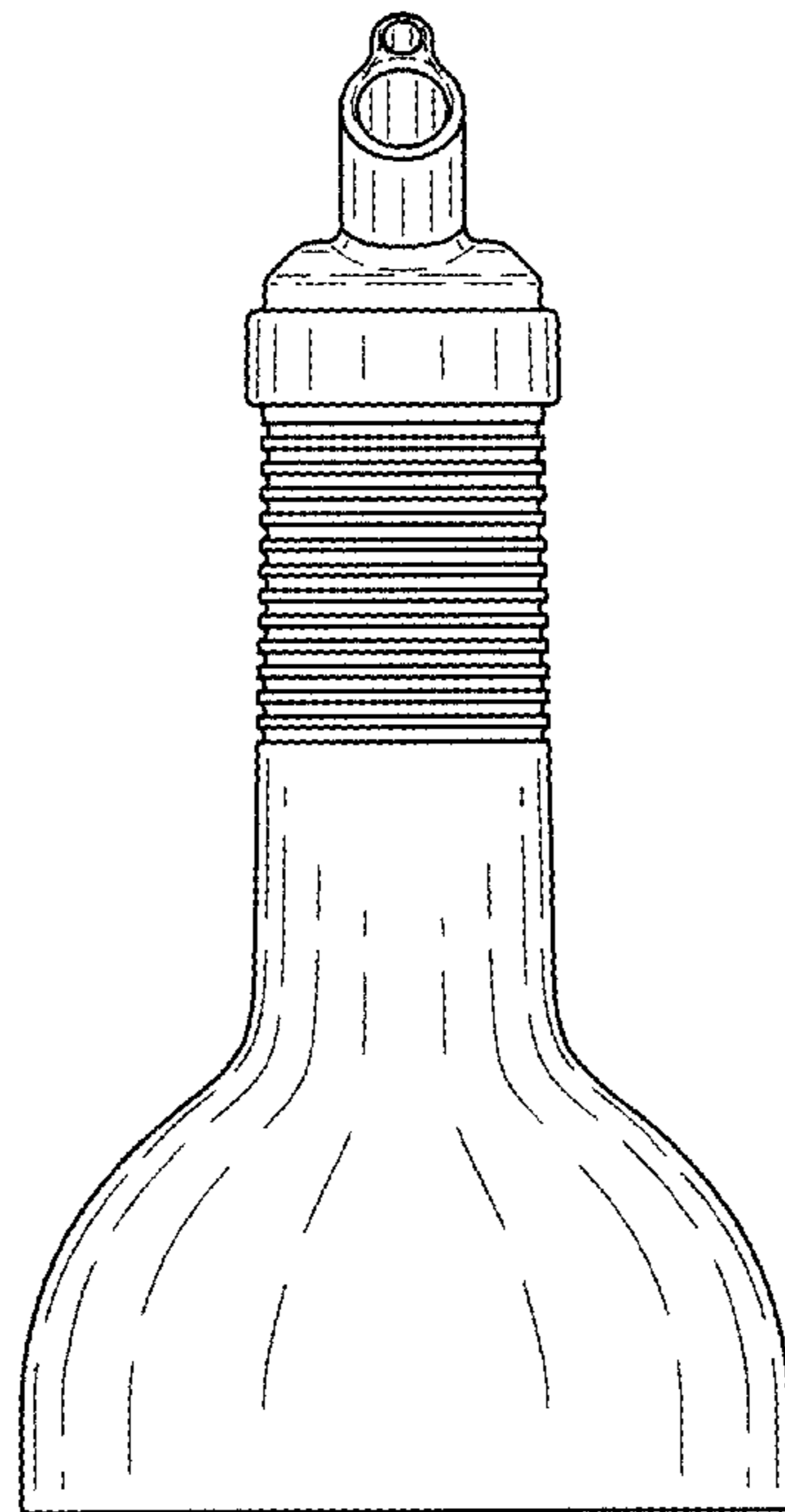


FIG. 2

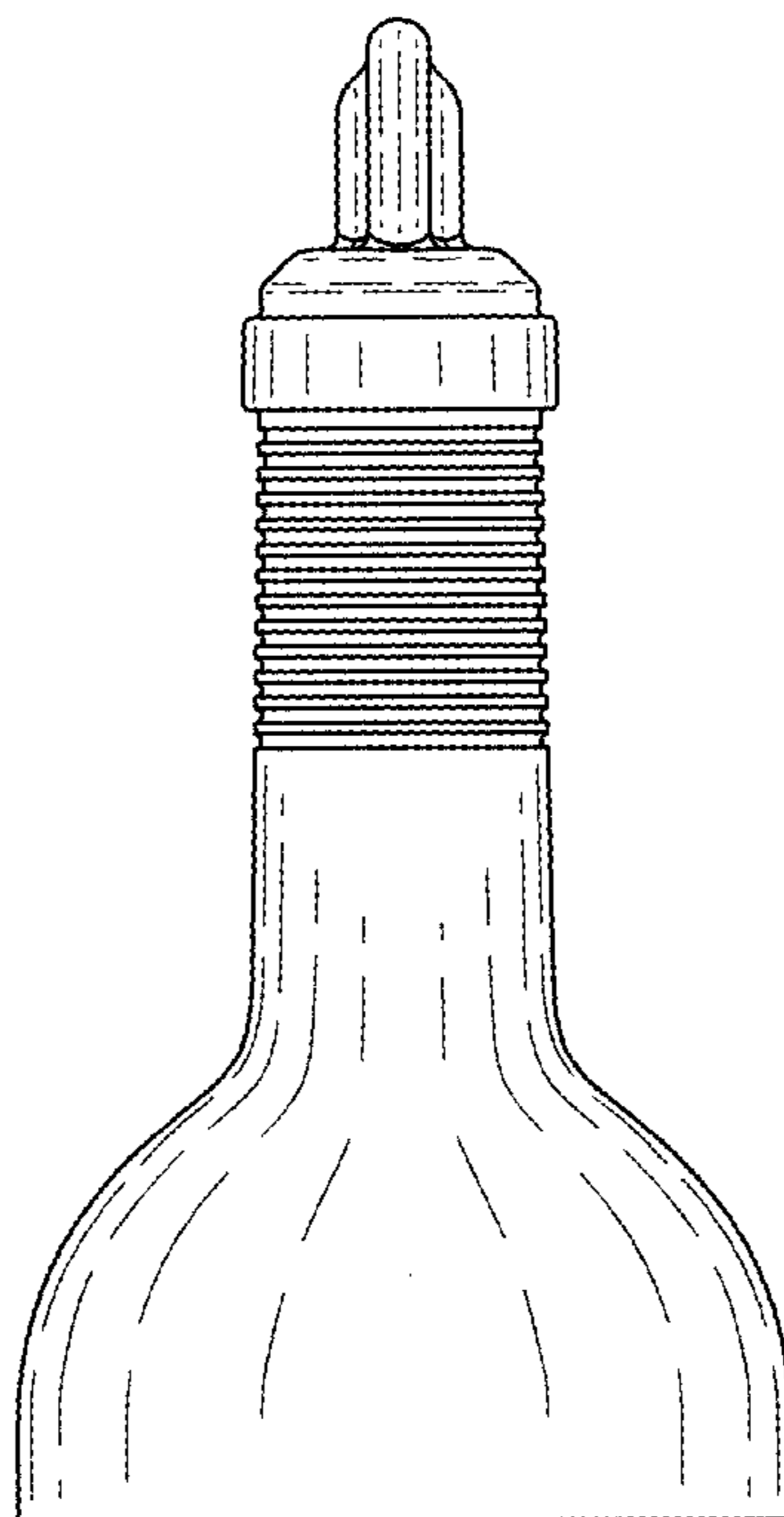


FIG. 3

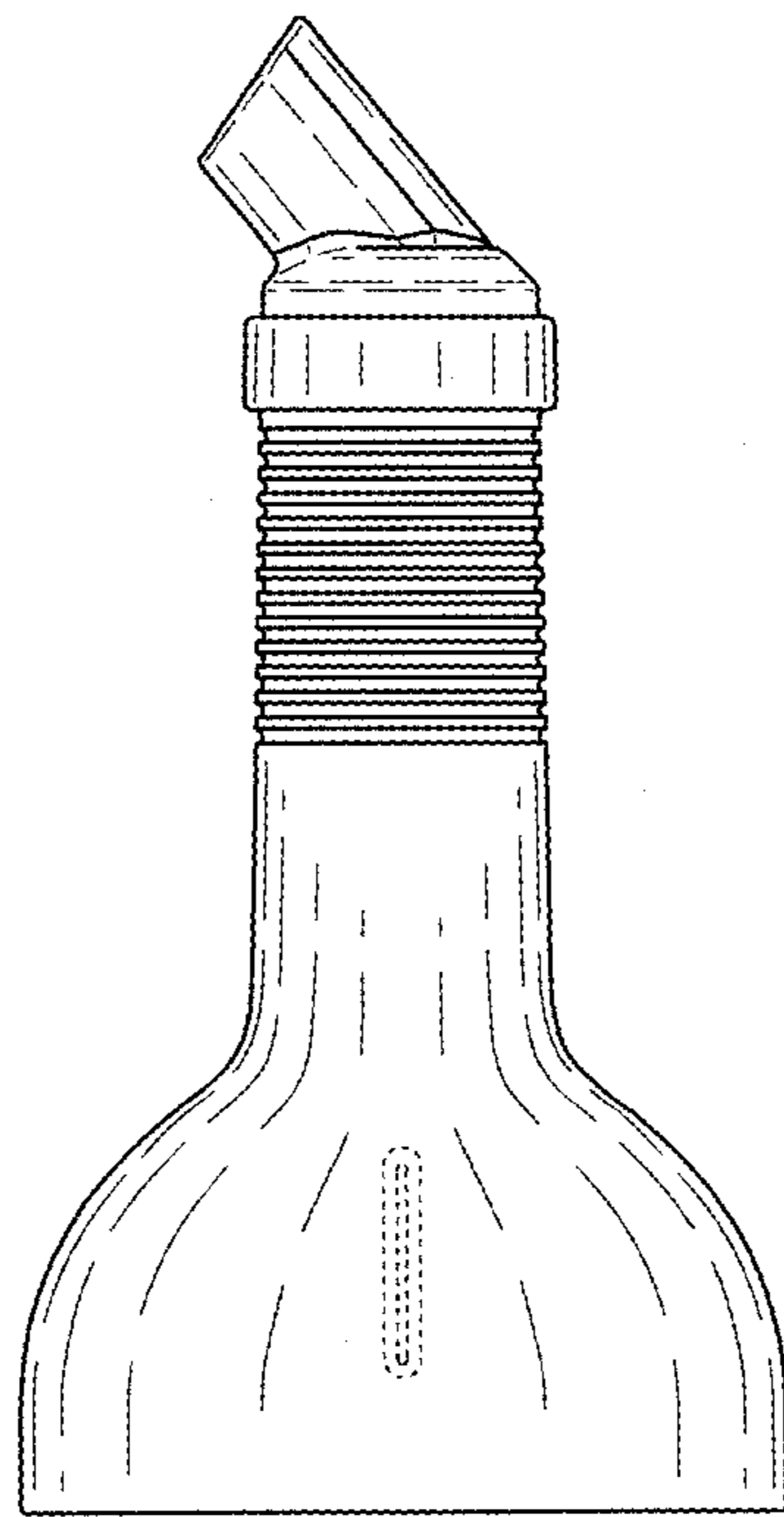


FIG. 4

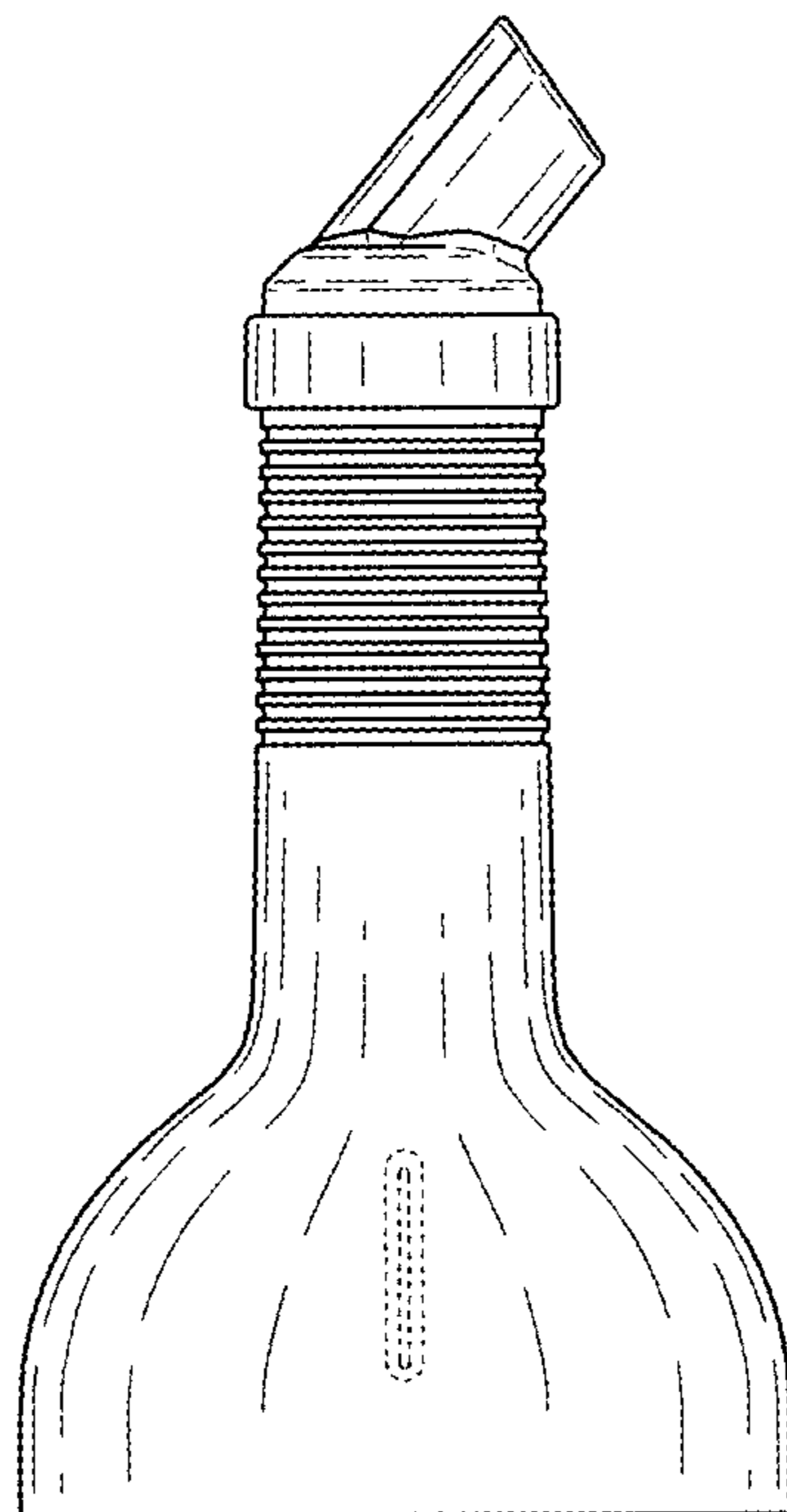


FIG. 5

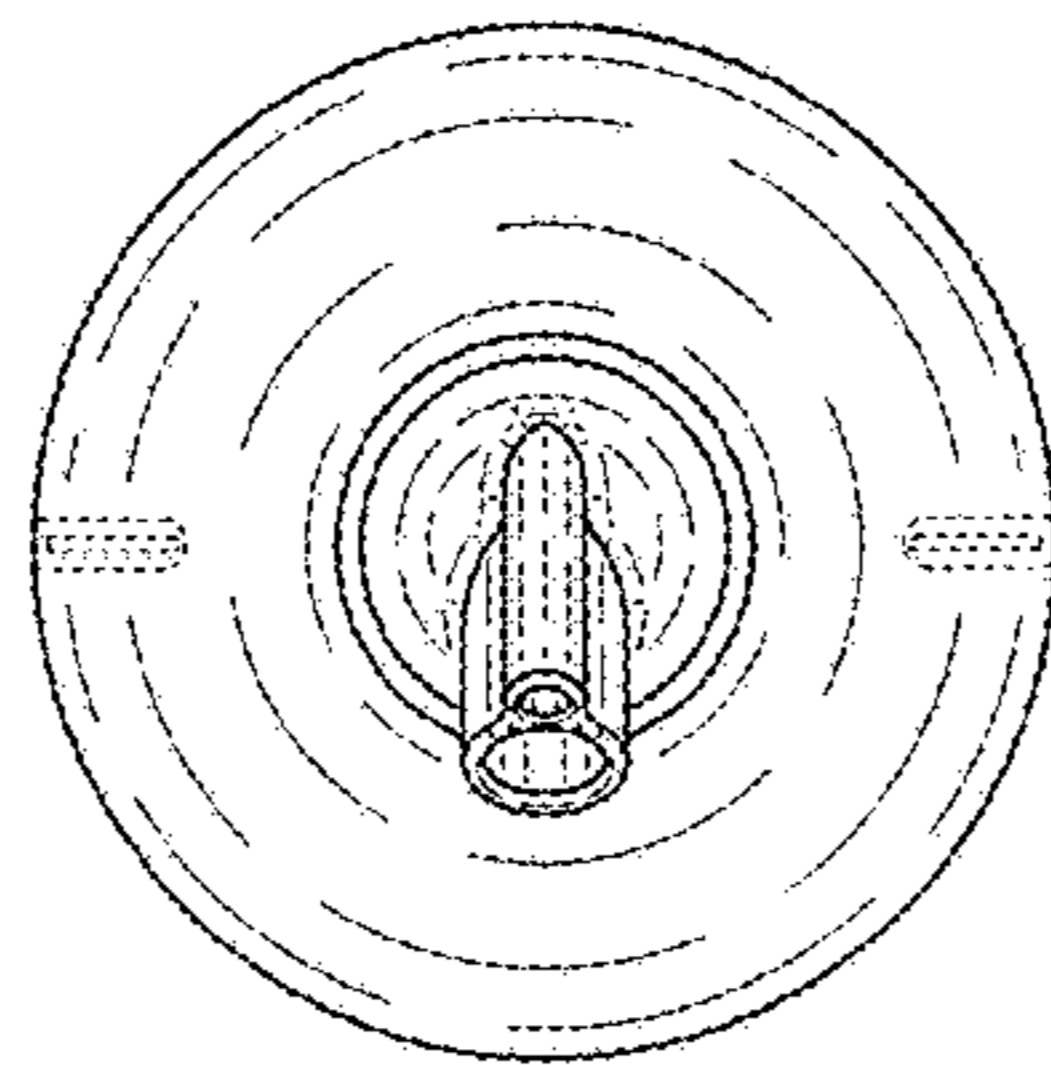


FIG. 6

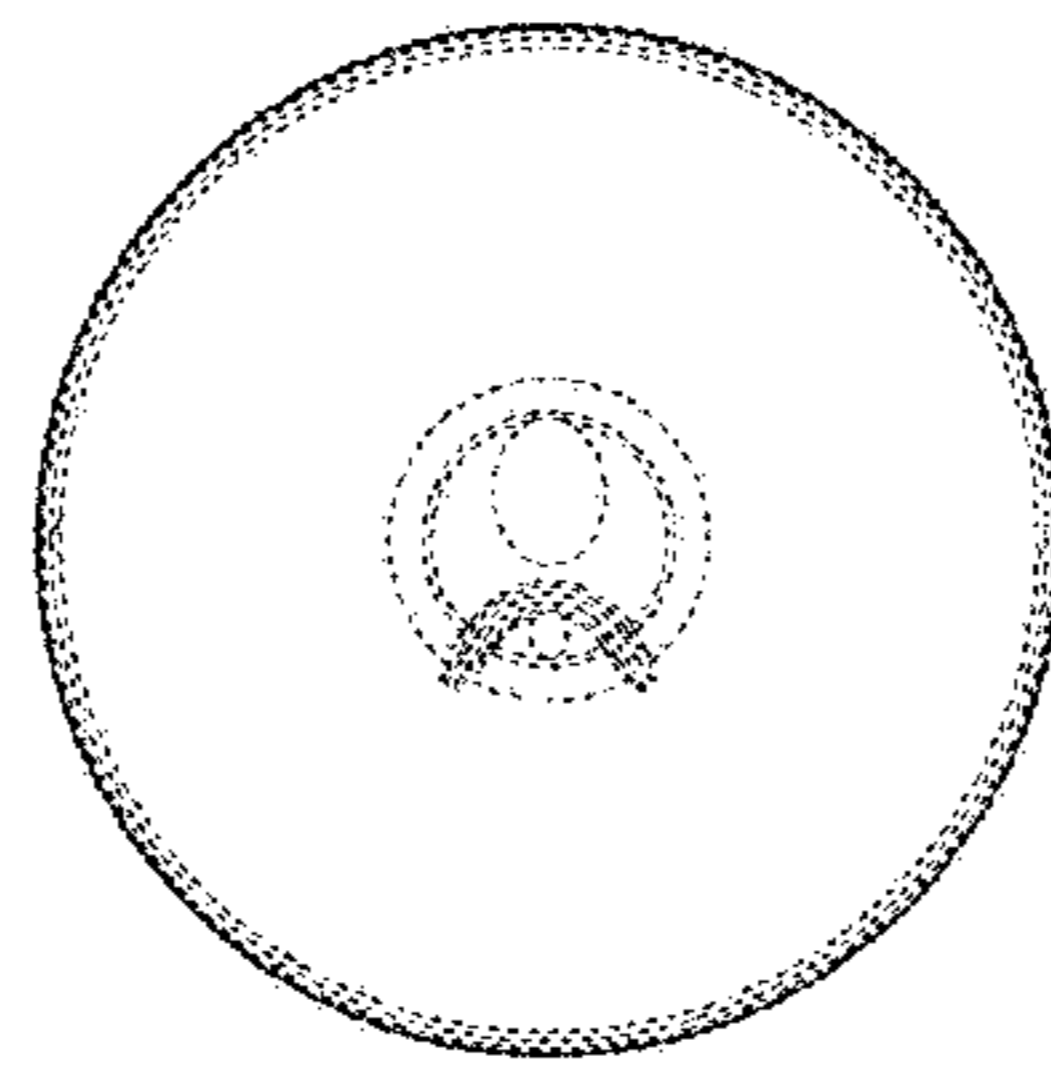


FIG. 7