



US00D798710S

(12) **United States Design Patent**  
**Rummel et al.**

(10) **Patent No.:** **US D798,710 S**

(45) **Date of Patent:** **\*\* Oct. 3, 2017**

(54) **LID**

(71) Applicant: **BRITA GMBH**, Taunusstein (DE)

(72) Inventors: **Christian Rummel**, Benningen (DE);  
**Tim Storti**, Schwieberdingen (DE)

(73) Assignee: **BRITA GMBH**, Taunusstein (DE)

(\*\*) Term: **15 Years**

(21) Appl. No.: **29/542,418**

(22) Filed: **Oct. 14, 2015**

(30) **Foreign Application Priority Data**

Apr. 17, 2015 (DE) ..... 40 2015 100 355

(51) **LOC (10) Cl.** ..... **09-07**

(52) **U.S. Cl.**  
USPC ..... **D9/435**; D9/434

(58) **Field of Classification Search**  
USPC .... D3/203.1, 203.2, 202, 318; D7/300, 312,  
D7/313, 321, 387, 392, 393, 396.1, 396.2,  
D7/397, 398, 509, 510, 511, 538, 602,  
D7/619.1, 900; D9/434, 435, 436, 438,  
D9/439, 440, 443, 444, 445, 446, 447,  
D9/449, 450, 453, 454, 499, 529;  
D23/260; D27/118; D28/76, 78, 82  
CPC ..... B65D 41/02; B65D 41/26; B65D 41/56;  
B65D 41/62; B65D 59/06; B65D 47/06;  
B65D 47/08; B65D 47/0814; B65D  
47/2031; B65D 51/249; B65D 2251/1066;  
B65D 23/00; B65D 39/08; B65D 1/02;  
B65D 1/323; B65D 25/40; B67D 3/0032;  
A47G 19/26; A47G 19/2266; B65F 1/14;  
A61J 1/1412

See application file for complete search history.

(56) **References Cited**

**U.S. PATENT DOCUMENTS**

D476,893 S \* 7/2003 Pinnavaia ..... D9/435  
D477,225 S \* 7/2003 Pinnavaia ..... D9/435

D484,644 S \* 12/2003 Noh ..... D28/76  
D485,016 S \* 1/2004 Noh ..... D28/76  
D485,017 S \* 1/2004 Noh ..... D28/76  
D492,596 S \* 7/2004 Miceli ..... D9/435  
D506,390 S \* 6/2005 Bakic ..... D9/449  
D512,914 S \* 12/2005 Moretti ..... D9/454  
D581,279 S \* 11/2008 Oates ..... D28/76

(Continued)

**FOREIGN PATENT DOCUMENTS**

CN 3023488325 \* 3/2013  
CN 303835661 \* 9/2016

(Continued)

**OTHER PUBLICATIONS**

Brita Fill & Go Water Bottle: Announced May 4, 2013 [online], site visited [Nov. 11, 2016. Available from Internet URL:https://www.youtube.com/watch?v=ZEknxJU96FI.\*

(Continued)

*Primary Examiner* — Thomas Johannes  
*Assistant Examiner* — Catherine Posthauer  
(74) *Attorney, Agent, or Firm* — Hudak, Shunk & Farine  
Co. LPA

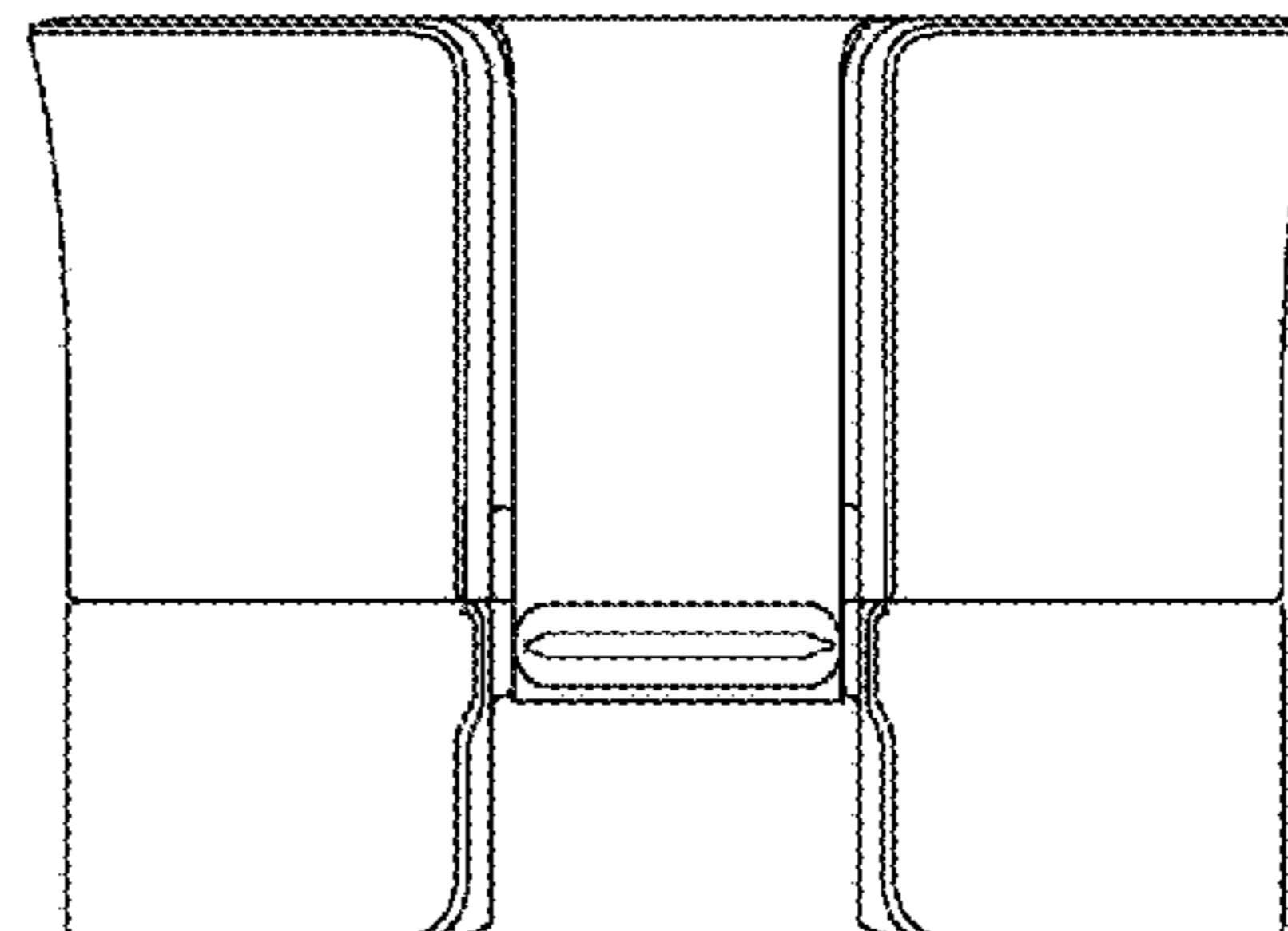
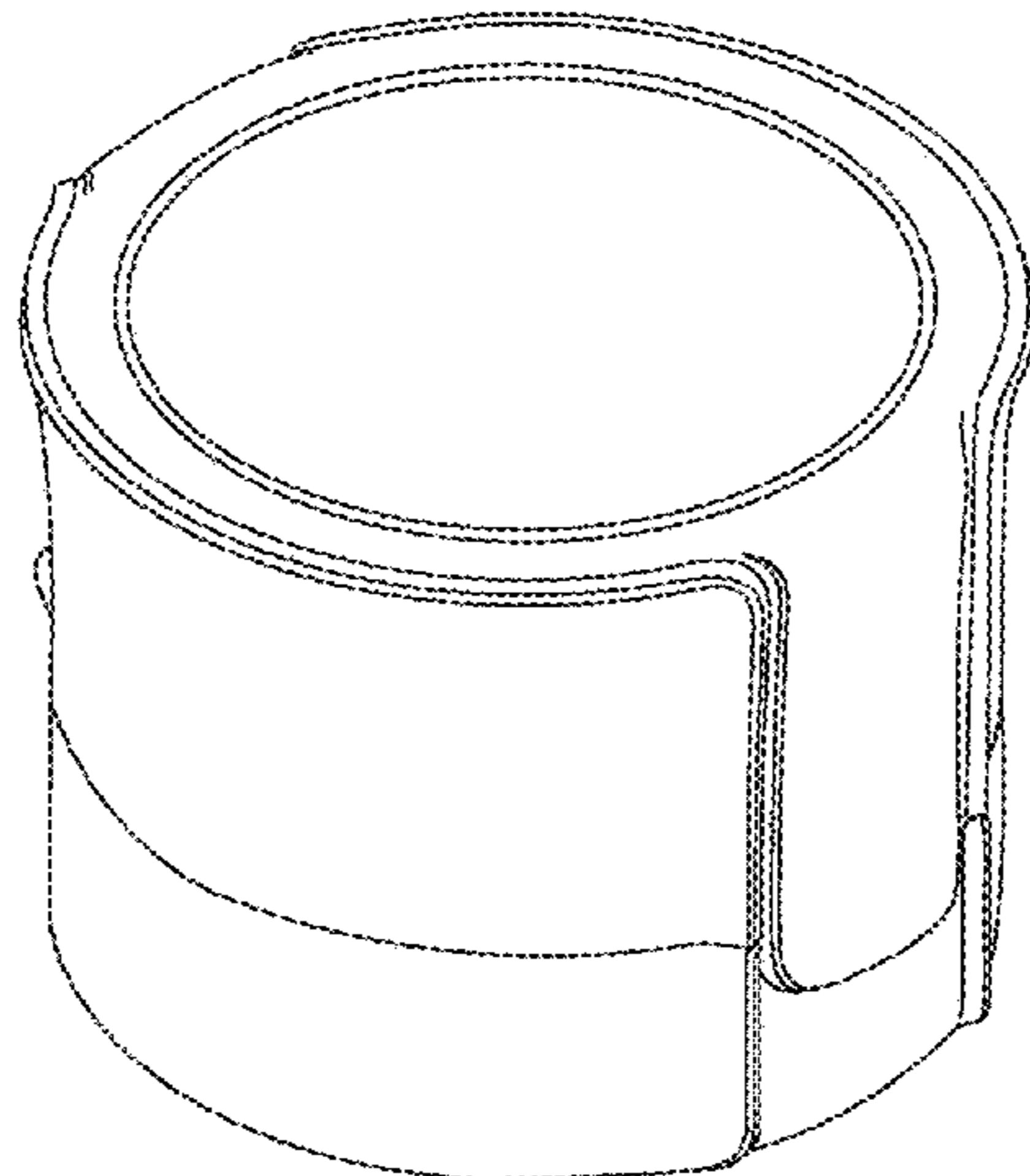
(57) **CLAIM**

The ornamental design for a “lid,” as shown and described.

**DESCRIPTION**

FIG. 1 is a front left perspective view of a lid showing our new design;  
FIG. 2 is a rear view thereof;  
FIG. 3 is a left side view thereof;  
FIG. 4 is a top view thereof;  
FIG. 5 is a right side view thereof; and,  
FIG. 6 is a front view thereof.

**1 Claim, 6 Drawing Sheets**



(56)

**References Cited**

U.S. PATENT DOCUMENTS

D602,354 S \* 10/2009 Dibnah ..... D9/435  
 D611,814 S \* 3/2010 Marotti ..... D9/454  
 D619,456 S \* 7/2010 Walters ..... D9/444  
 D623,475 S \* 9/2010 Aarnoudse ..... D7/510  
 D623,519 S \* 9/2010 Richardson ..... D9/454  
 D636,675 S \* 4/2011 Mongeon ..... D9/454  
 D640,556 S \* 6/2011 Bragg ..... D9/449  
 D652,682 S \* 1/2012 Eyal ..... D7/510  
 D656,823 S \* 4/2012 Kriegel ..... D9/454  
 D666,492 S \* 9/2012 Cummings ..... D9/449  
 D666,493 S \* 9/2012 Cummings ..... D9/449  
 D695,613 S \* 12/2013 Miranda De Araujo ..... D9/449  
 D712,264 S \* 9/2014 Humm ..... D9/449  
 D717,169 S \* 11/2014 Blackburn ..... D9/449  
 D720,574 S \* 1/2015 Boroski ..... D7/510  
 D727,148 S \* 4/2015 Humm ..... D9/449  
 D743,742 S \* 11/2015 Rummel ..... D7/511  
 D744,698 S \* 12/2015 Kalyanpur ..... D28/82  
 D744,781 S \* 12/2015 Rummel ..... D7/511

D755,048 S \* 5/2016 Baissero ..... D9/449  
 D756,222 S \* 5/2016 Lopez ..... D23/260  
 D769,120 S \* 10/2016 Albuquerque ..... D9/454  
 2010/0089861 A1 \* 4/2010 Rutter ..... B65D 47/0838  
 2016/0167840 A1 \* 6/2016 Kleppsch ..... B65D 41/04  
 215/228  
 215/251

FOREIGN PATENT DOCUMENTS

JP D1509175 \* 10/2014  
 RU 00088399 \* 4/2014  
 RU 000100065 \* 9/2016

OTHER PUBLICATIONS

Brita Fill & Go Water Bottle: Announced Jan. 2015 [online], site visited [Nov. 11, 2016]. Available from Internet URL: <https://www.amazon.com/BRITA-Filtered-Bottle-Filter-included/dp/B00M4AP982>.\*

\* cited by examiner

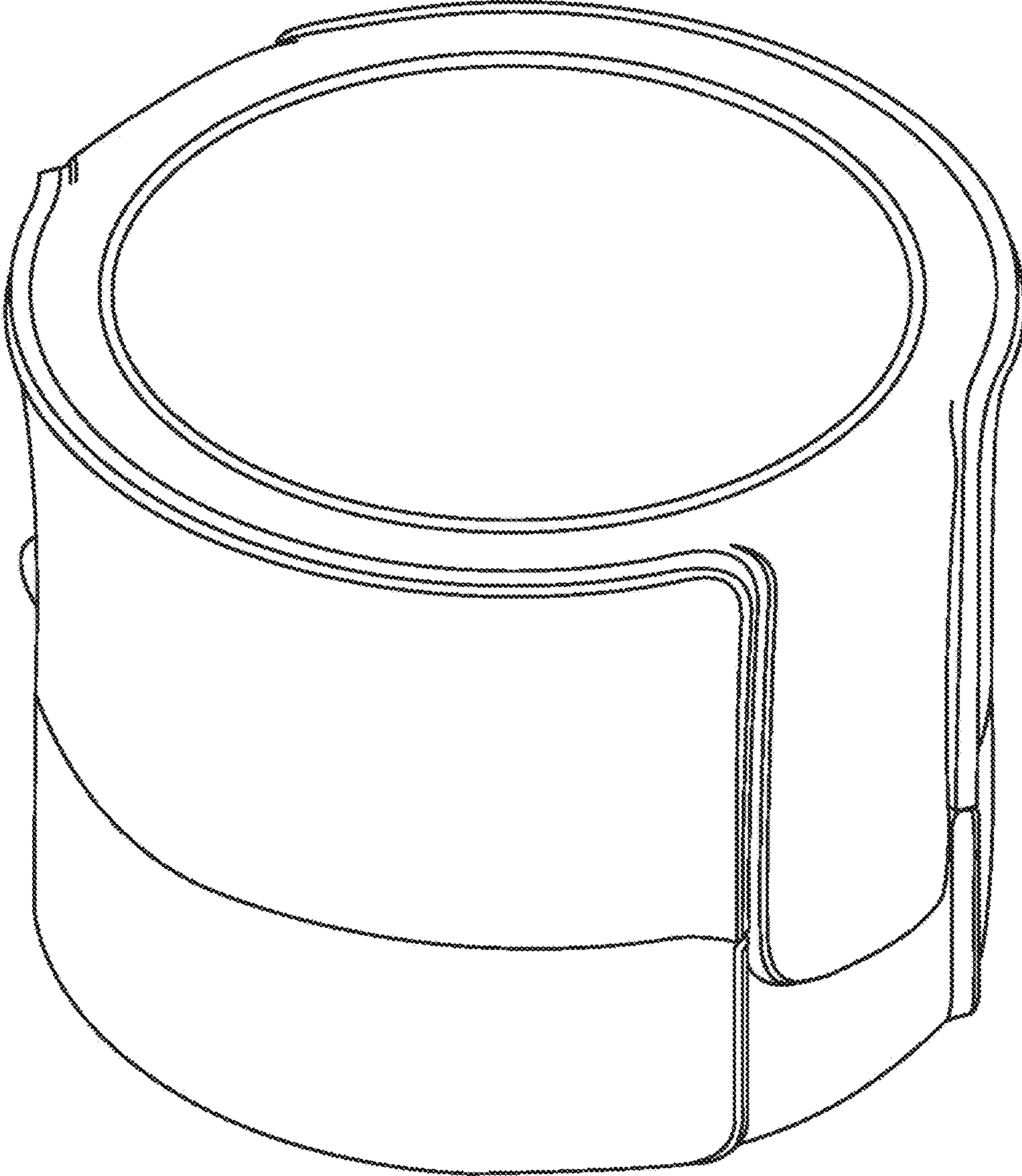


Fig. 1

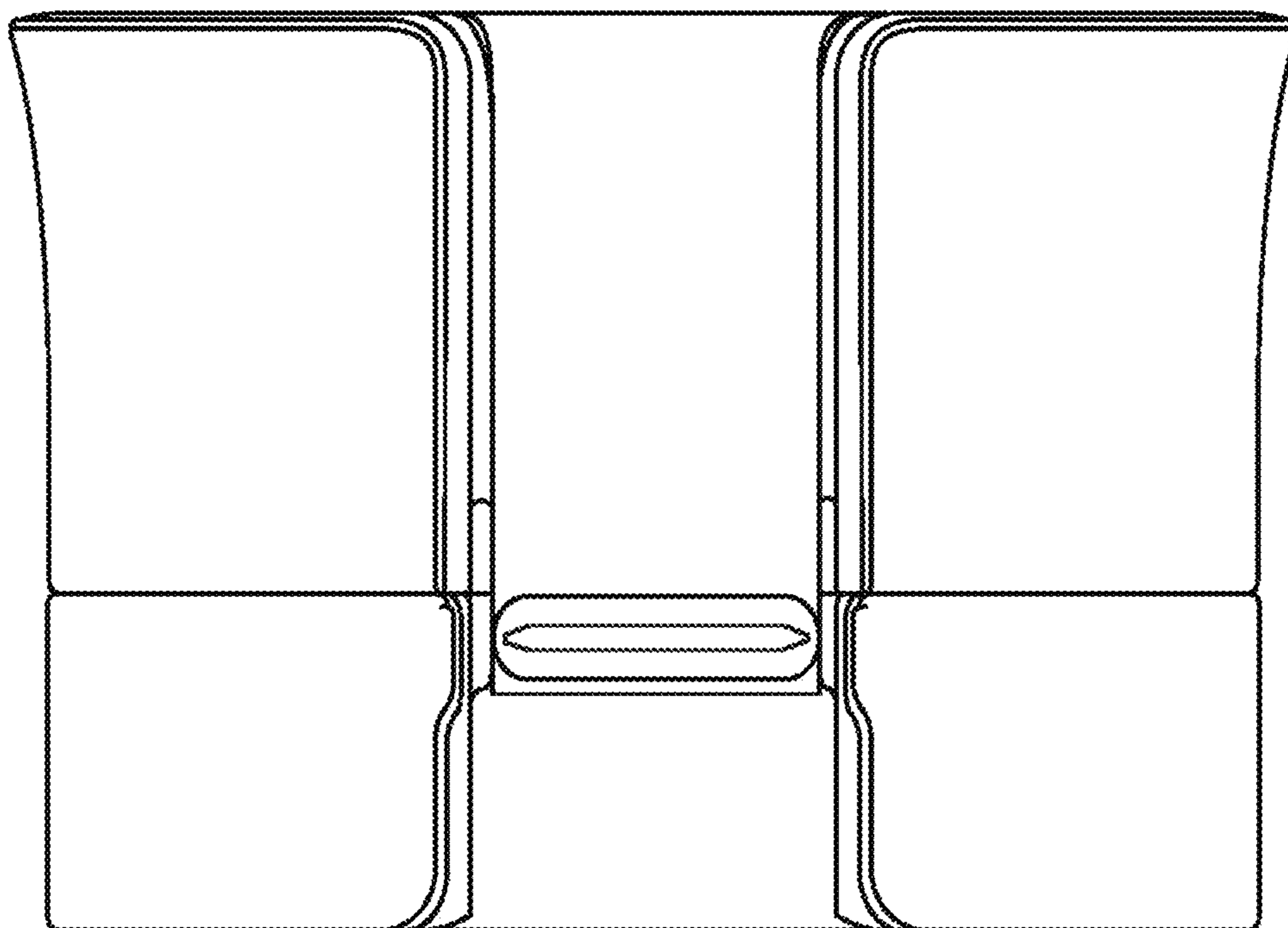


Fig. 2



Fig. 3



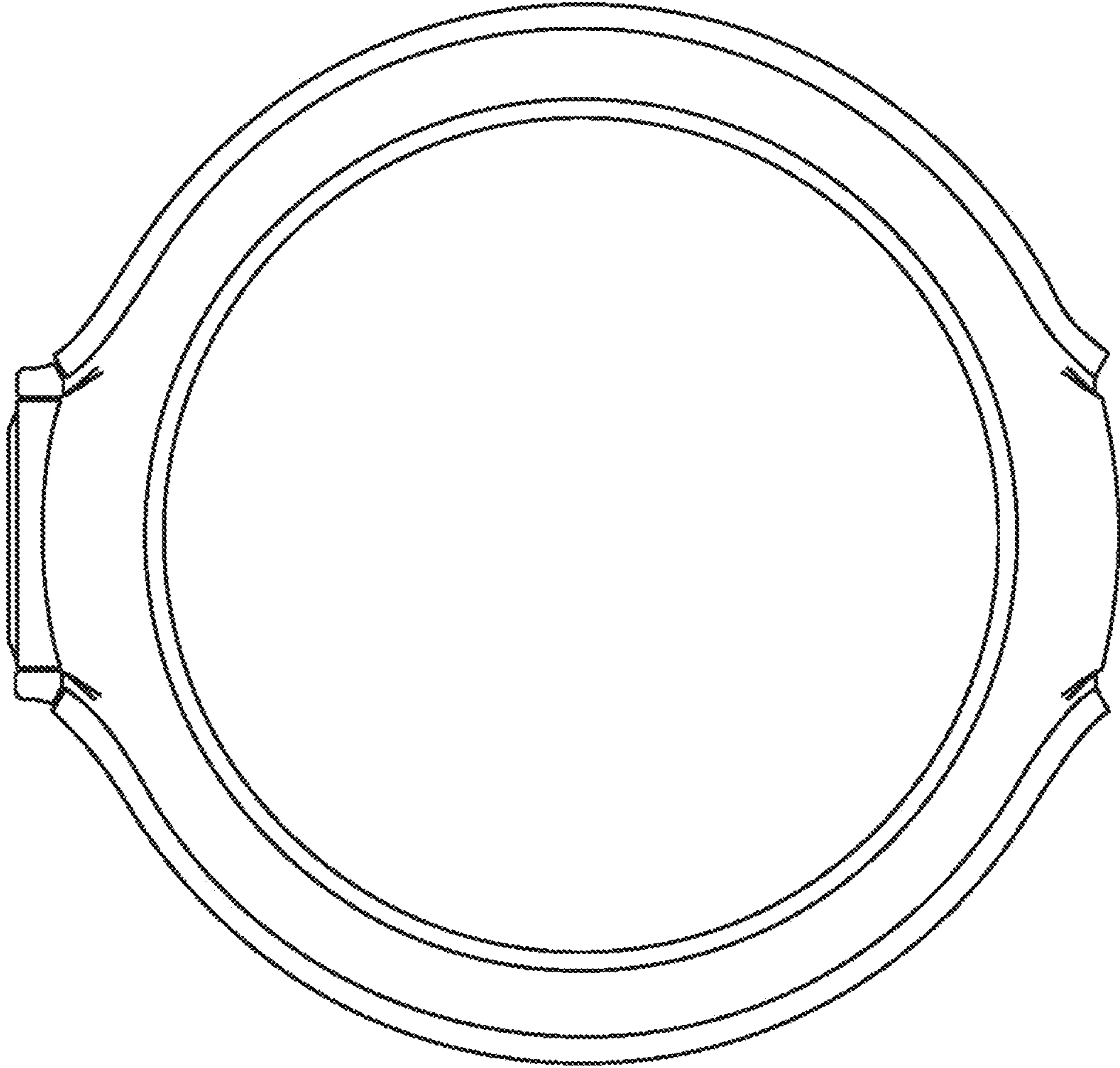


Fig. 4

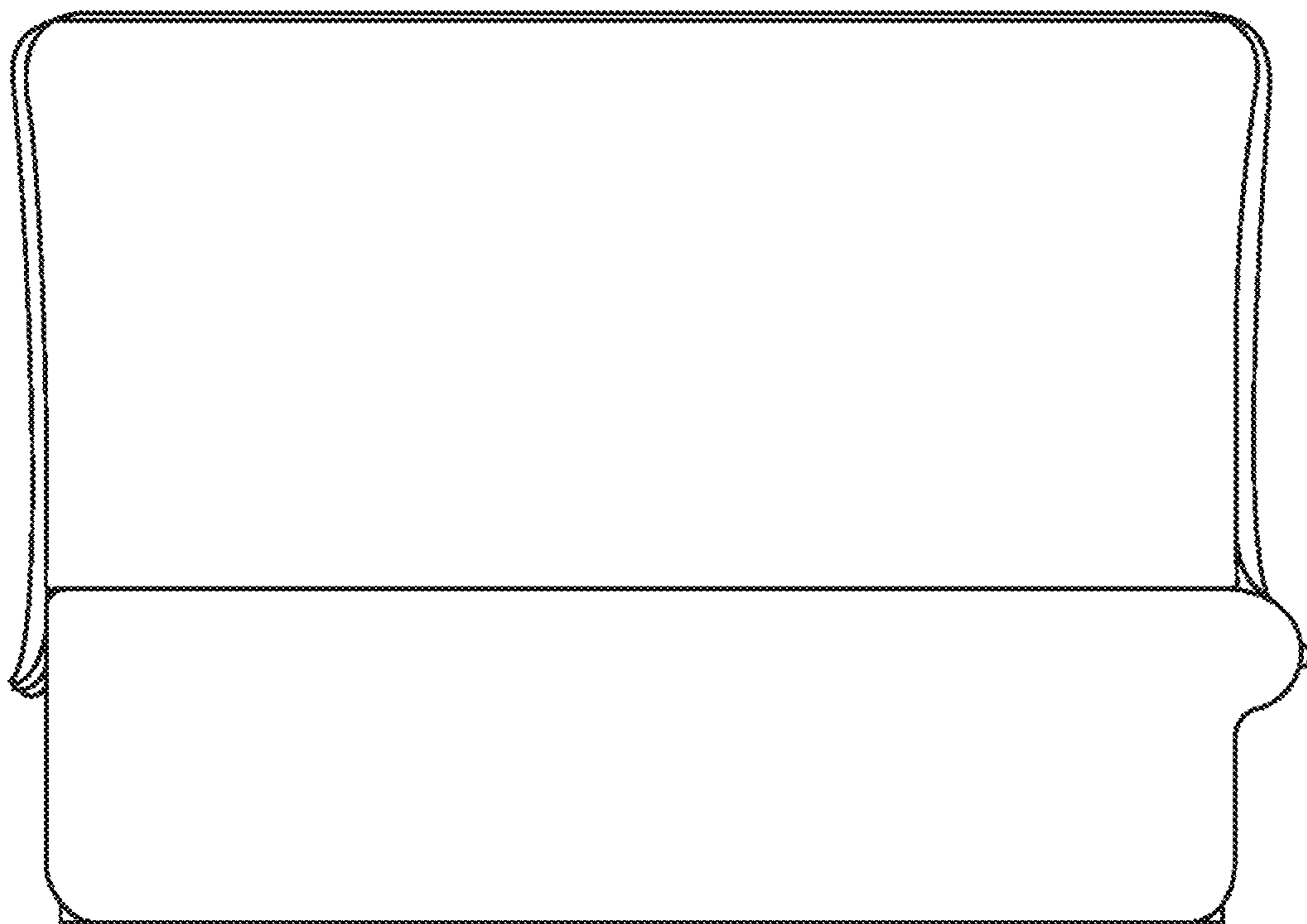


Fig. 5

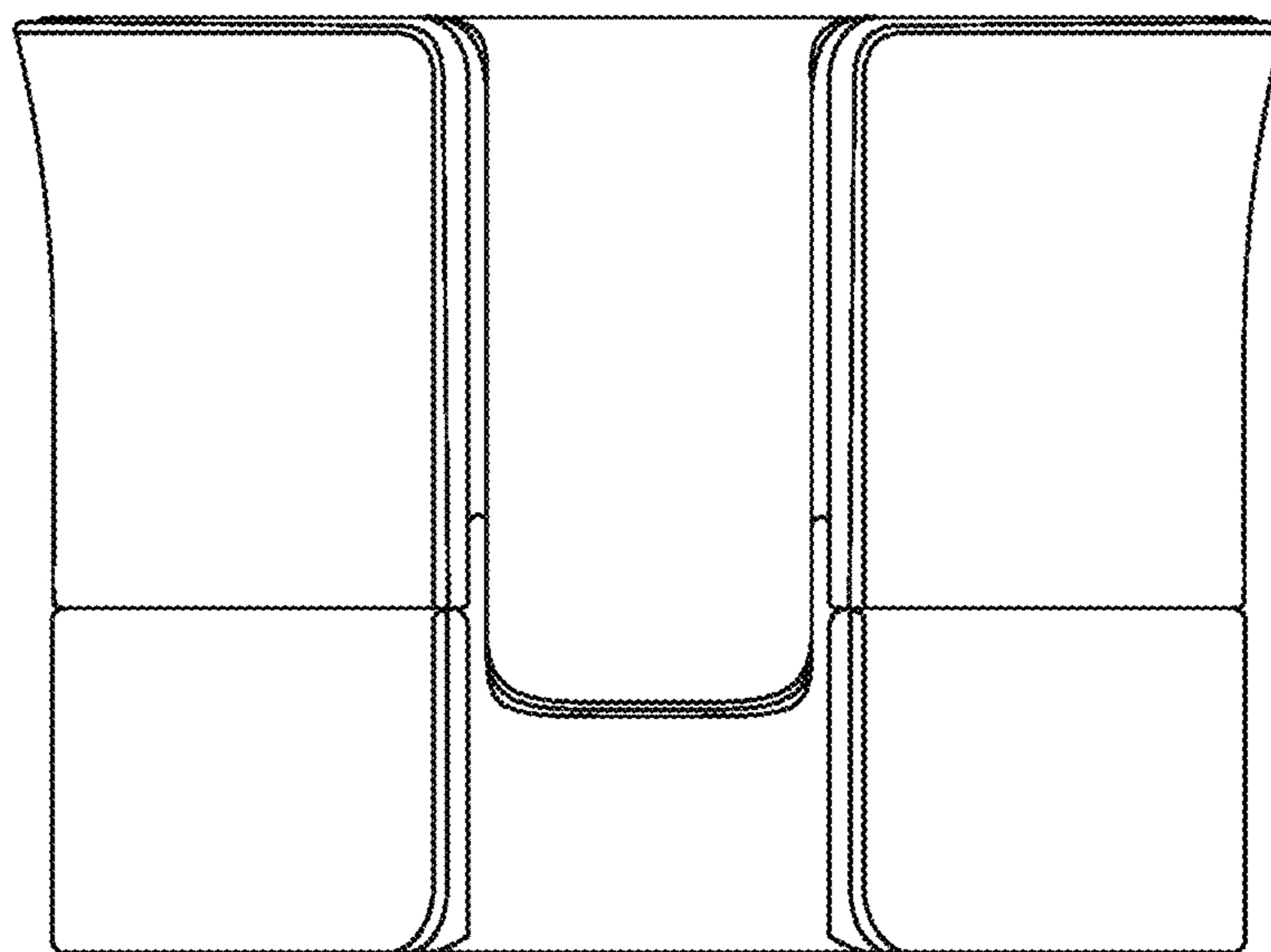


Fig. 6