



US00D798709S

(12) **United States Design Patent** (10) **Patent No.:** **US D798,709 S**  
**Chen** (45) **Date of Patent:** **\*\* Oct. 3, 2017**

(54) **BOX BLANK**

**DESCRIPTION**

- (71) Applicant: **Leon Chen**, Austin, TX (US)
- (72) Inventor: **Leon Chen**, Austin, TX (US)
- (73) Assignee: **Tiff's Treats Holdings, Inc.**, Austin, TX (US)
- (\*\*) Term: **14 Years**
- (21) Appl. No.: **29/439,579**
- (22) Filed: **Dec. 12, 2012**
- (51) **LOC (10) Cl.** ..... **09-03**
- (52) **U.S. Cl.**  
USPC ..... **D9/433**
- (58) **Field of Classification Search**  
USPC ..... D9/415-419, 420-425, 428, 429-435,  
D9/708, 719, 734; D3/203.2, 272, 273,  
(Continued)

(56) **References Cited**

**U.S. PATENT DOCUMENTS**

- D35,511 S \* 12/1901 Perky ..... D9/433
  - D446,451 S \* 8/2001 Roemer et al. .... D9/433
- (Continued)

**OTHER PUBLICATIONS**

Description of prior art box blanks provided in concurrently-filed Information Disclosure Statement and labeled "Admitted Prior Art" therein.

(Continued)

*Primary Examiner* — Vy Koenig  
(74) *Attorney, Agent, or Firm* — Norton Rose Fulbright US LLP

(57) **CLAIM**

The ornamental design for a box blank, as shown and described.

FIG. 1 is a plan view of a first embodiment of my invention that comprises a box blank. FIG. 1 shows the side of the box blank that will be visible when the box blank is in a completely folded position;

FIG. 2 is a plan view of the opposite side of the box blank shown in FIG. 1, the oblique line shading representing a reflective surface;

FIG. 3 is a front view of the box blank shown in FIG. 1 partially folded such that the lid is open;

FIG. 4 is a perspective view of the box blank shown in FIG. 1 partially folded such that the lid is open;

FIG. 5 is a top view of the box blank shown in FIG. 1 partially folded such that the lid is open;

FIG. 6 is a left side view of the box blank shown in FIG. 1 partially folded such that the lid is open;

FIG. 7 is a right side view of the box blank shown in FIG. 1 partially folded such that the lid is open;

FIG. 8 is a plan view of a second embodiment of my invention that comprises a box blank that has a different shape than the box blank of the first embodiment. FIG. 8 shows the side of the box blank that will be visible when the box blank is in a completely folded position;

FIG. 9 is a plan view of the opposite side of the box blank shown in FIG. 8, the oblique line shading representing a reflective surface;

FIG. 10 is a front view of the box blank shown in FIG. 8 partially folded such that the lid is open;

FIG. 11 is a perspective view of the box blank shown in FIG. 8 partially folded such that the lid is open;

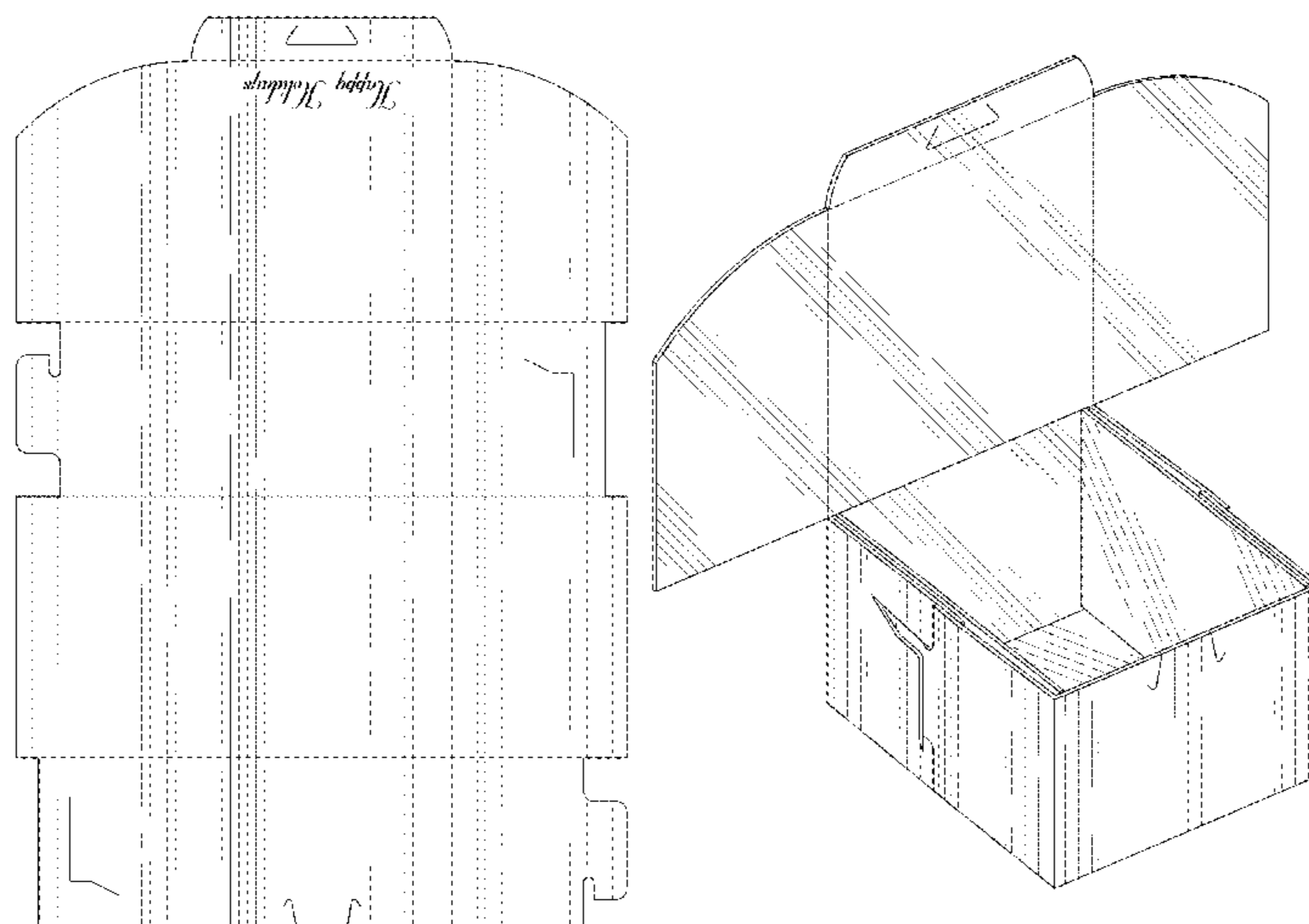
FIG. 12 is a top view of the box blank shown in FIG. 8 partially folded such that the lid is open;

FIG. 13 is a left side view of the box blank shown in FIG. 8 partially folded such that the lid is open; and,

FIG. 14 is a right side view of the box blank shown in FIG. 8 partially folded such that the lid is open.

The drawings are lined for color.

**1 Claim, 8 Drawing Sheets**



(58) **Field of Classification Search**

USPC ..... D3/294, 302-304; D7/538-542, 601,  
D7/602, 629; D19/9-11; D20/10, 22,  
D20/27-28, 39-43

CPC ..... B65D 5/18-5/20; B65D 5/24; B65D 5/30;  
B65D 5/42; B65D 5/46; B65D 5/70;  
B65D 5/74; B65D 71/12; B65D 71/40;  
B65D 71/46; B65D 25/00; B65D 85/00

See application file for complete search history.

(56) **References Cited**

U.S. PATENT DOCUMENTS

D449,525 S \* 10/2001 Sturgess ..... D9/432  
D485,492 S \* 1/2004 Hoffman et al. .... D9/433  
D489,255 S \* 5/2004 Kratzert et al. .... D9/433  
8,424,749 B2 \* 4/2013 Costanzo, Jr. .... 229/144

OTHER PUBLICATIONS

Screenshots of prior art box blanks, in folded positions, retrieved from <https://web.archive.org/web/20111126163929/http://www.cookieelivery.com/austin/specialoccasion.asp#> (reflecting a capture date of Nov. 26, 2011).

\* cited by examiner

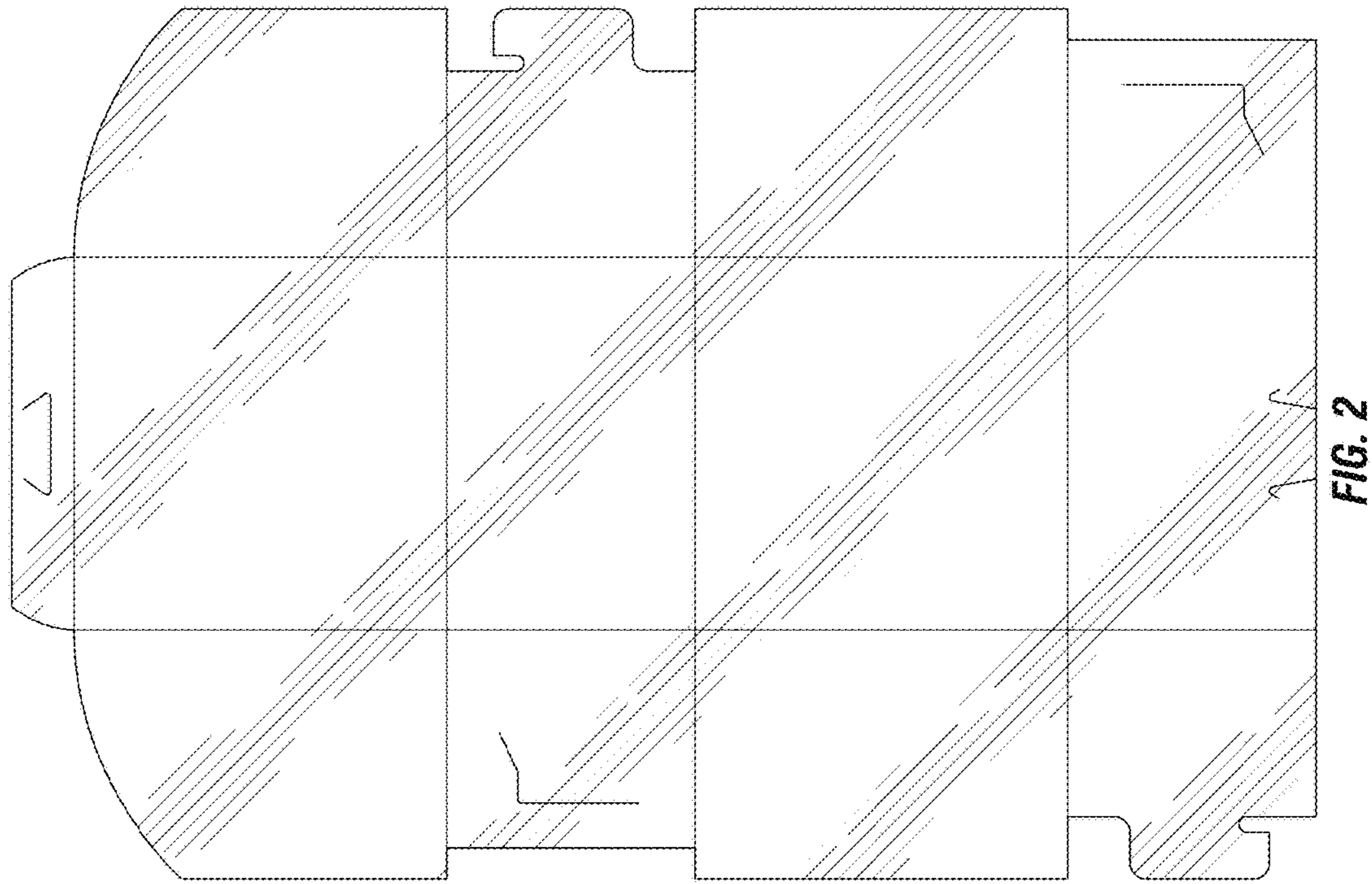


FIG. 2

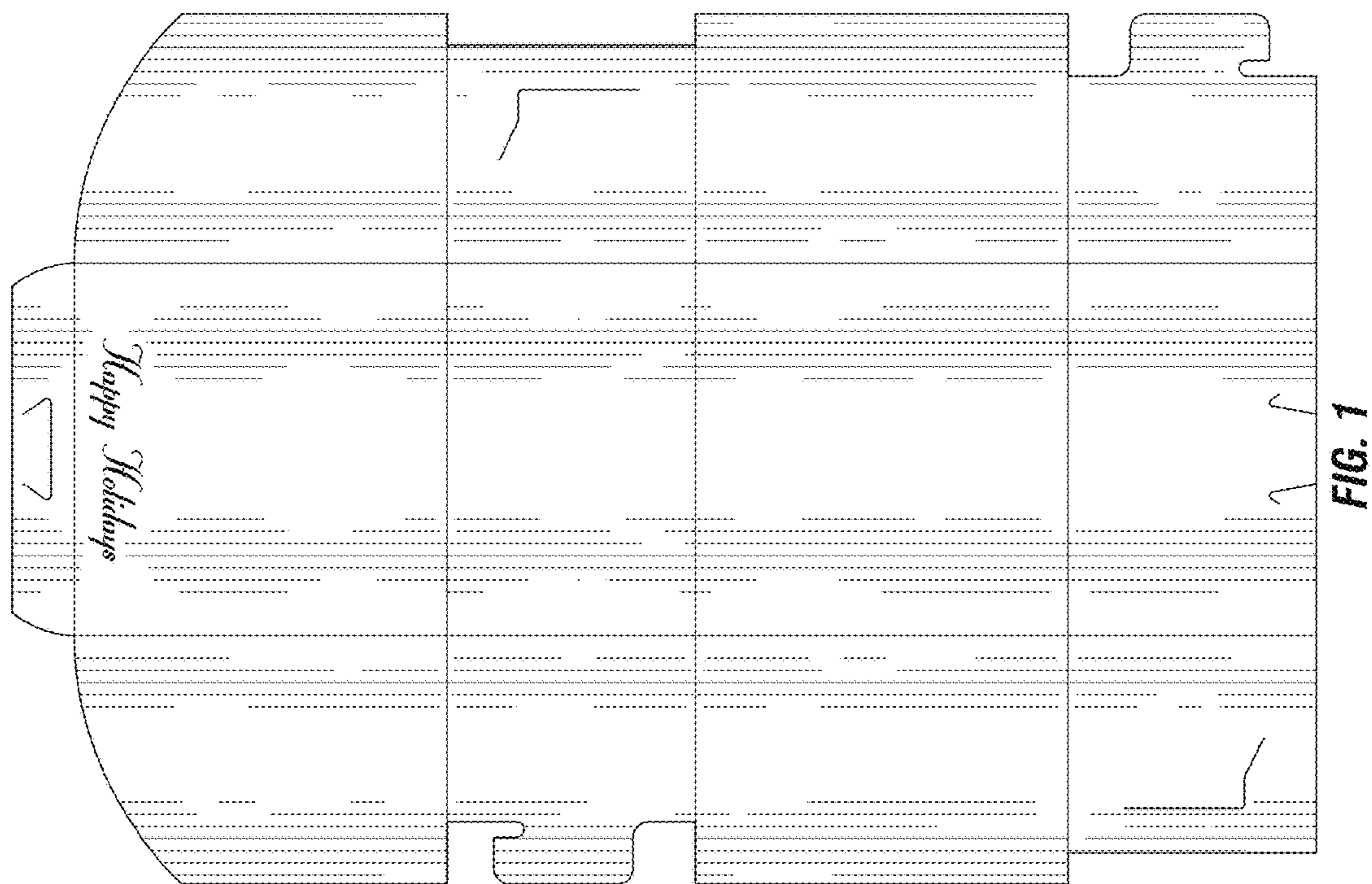
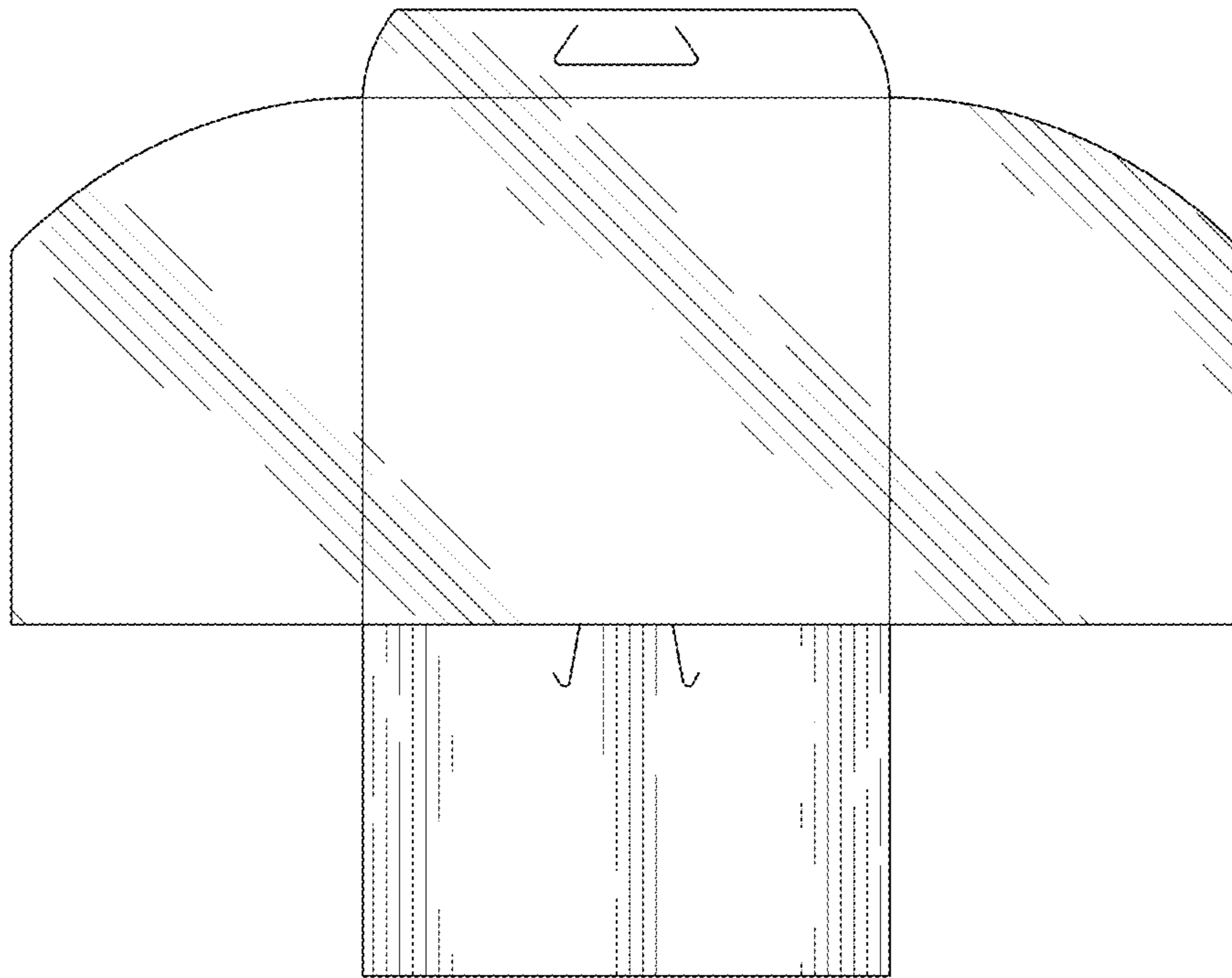


FIG. 1



**FIG. 3**

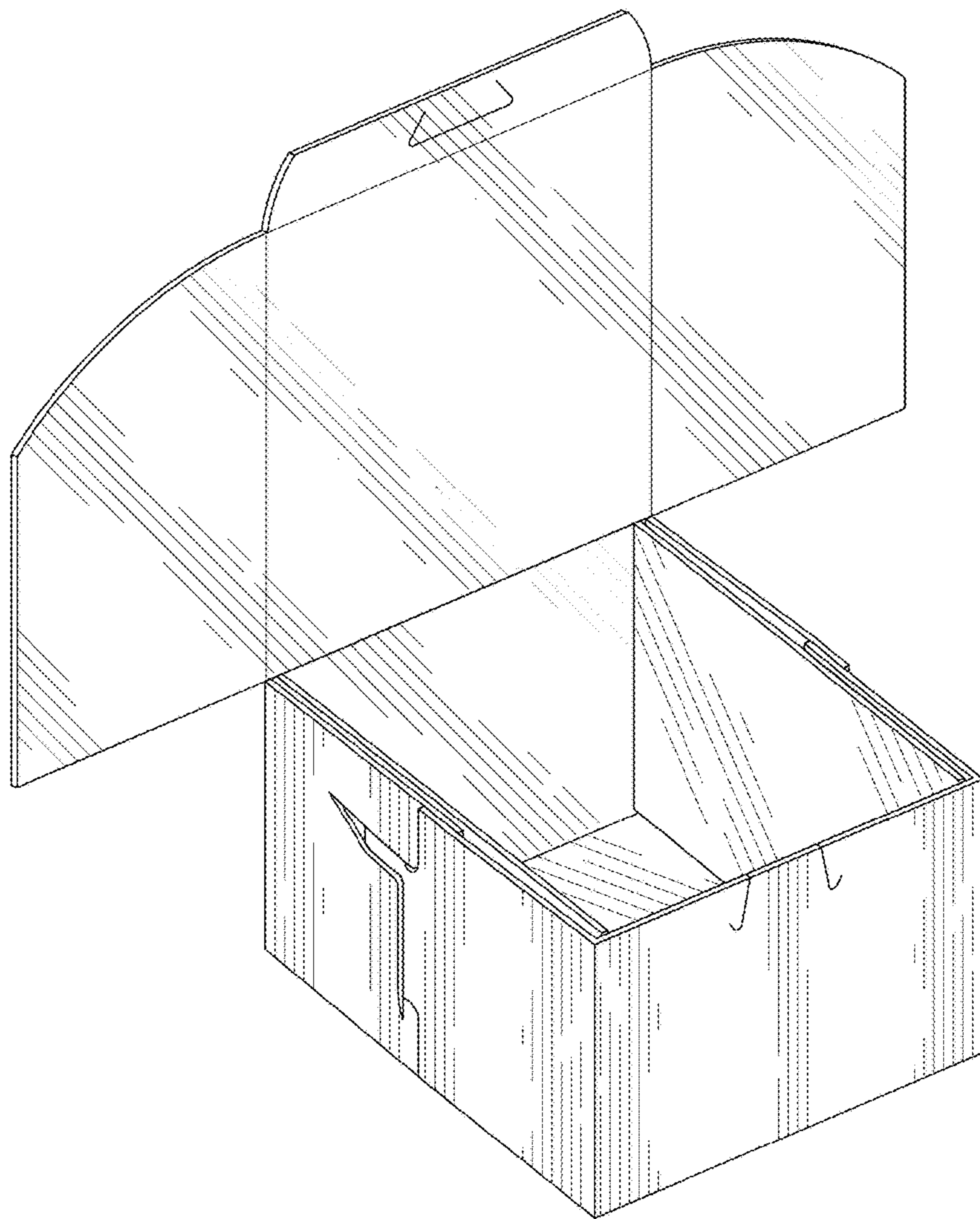
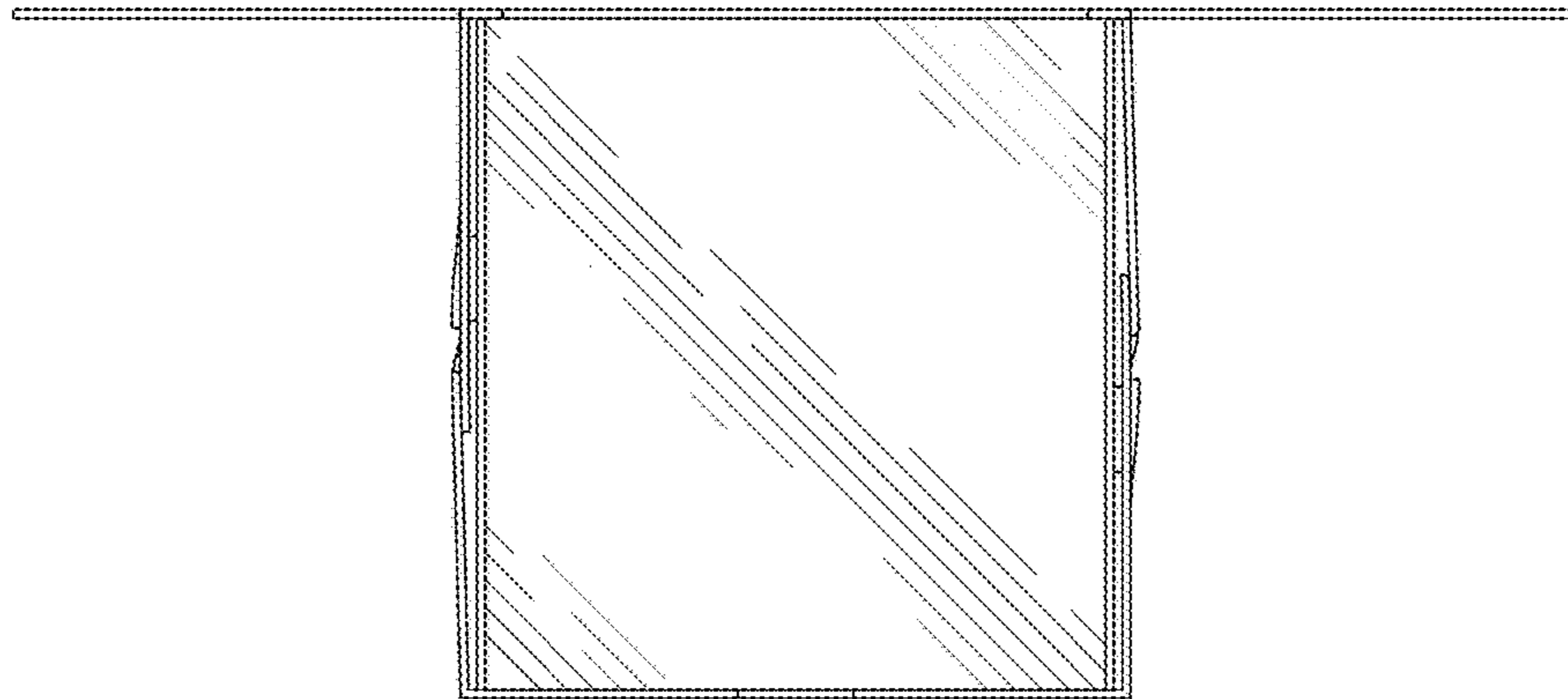
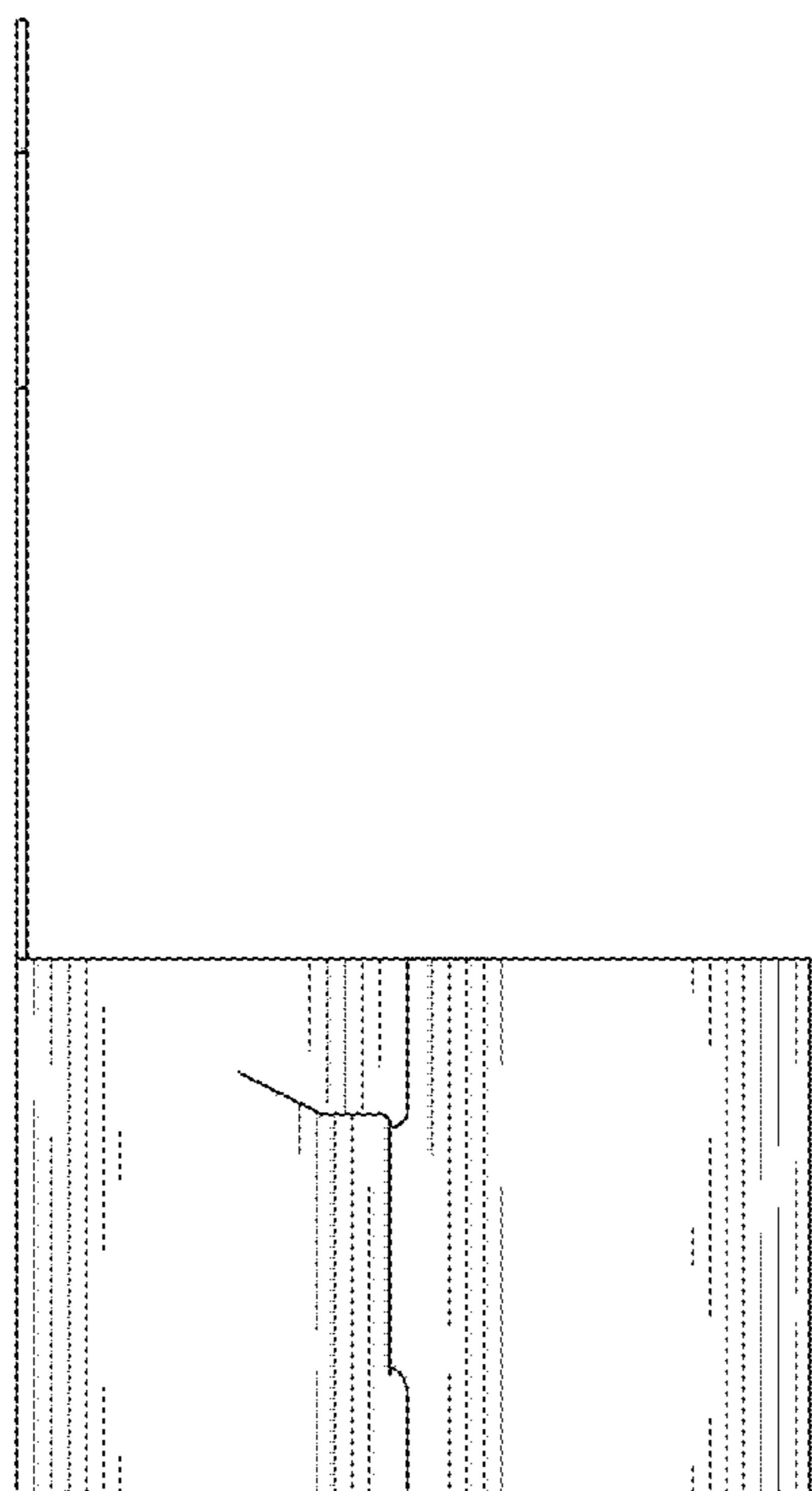


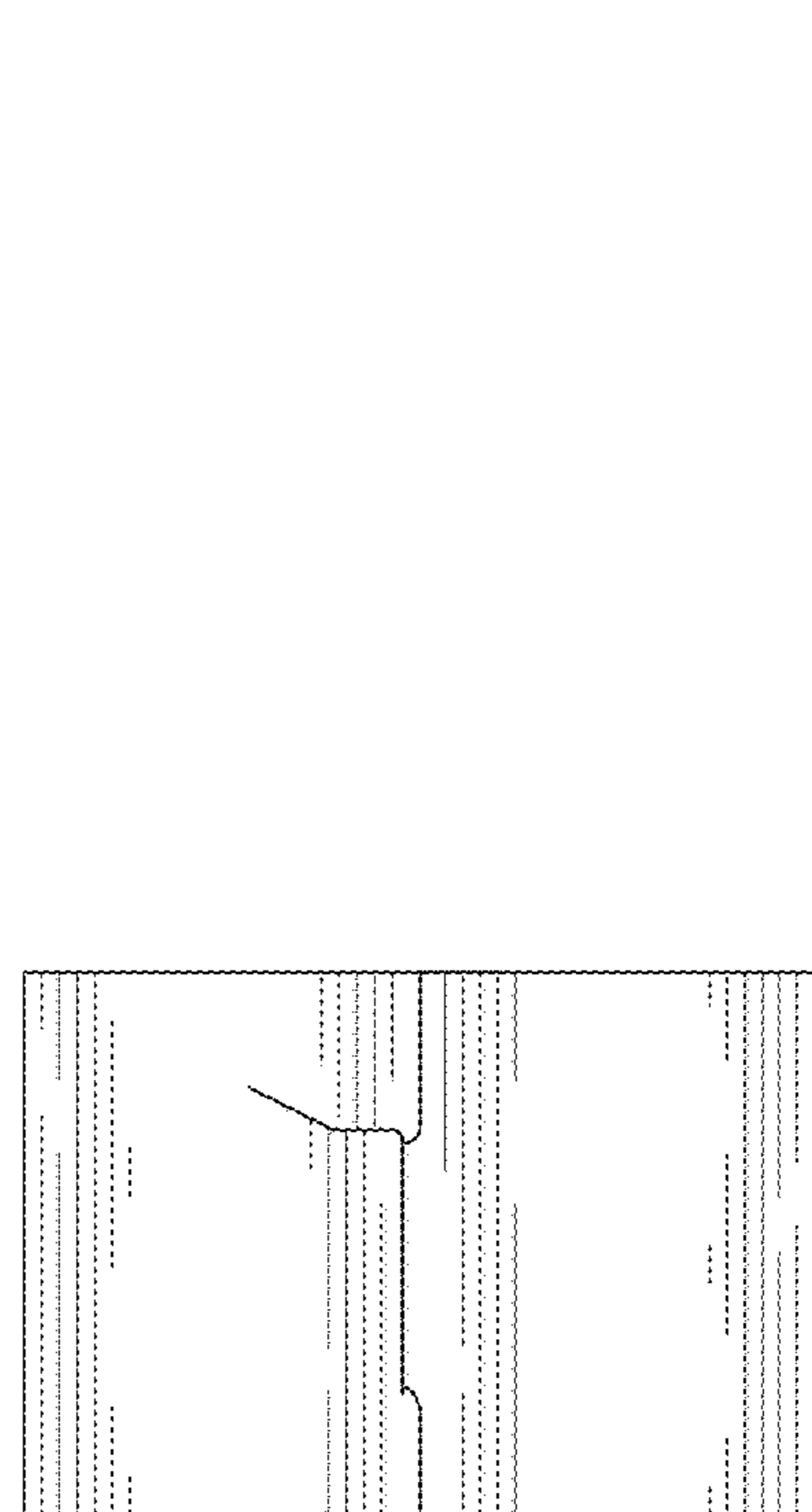
FIG. 4



**FIG. 5**



**FIG. 6**



**FIG. 7**

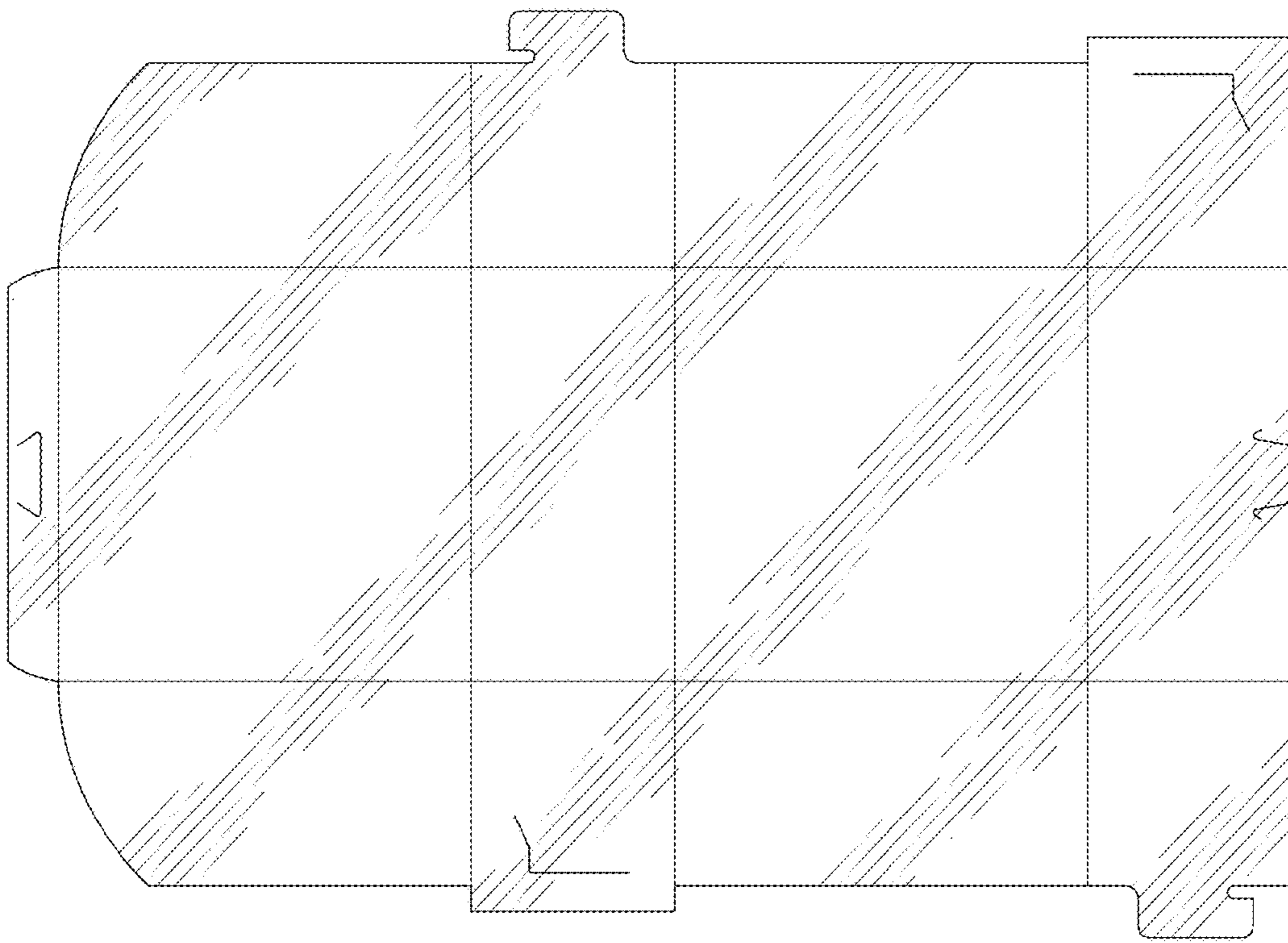


FIG. 9

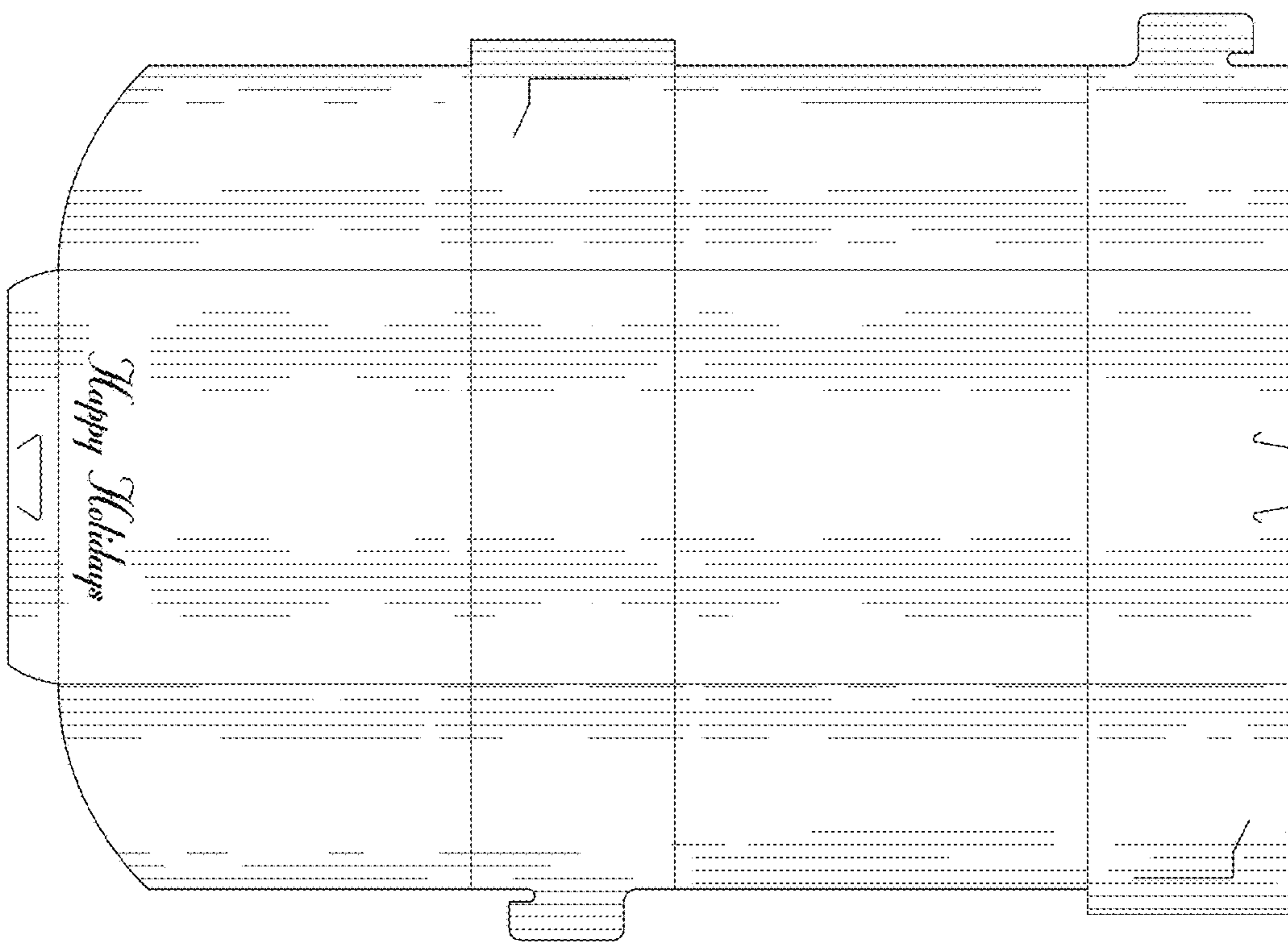
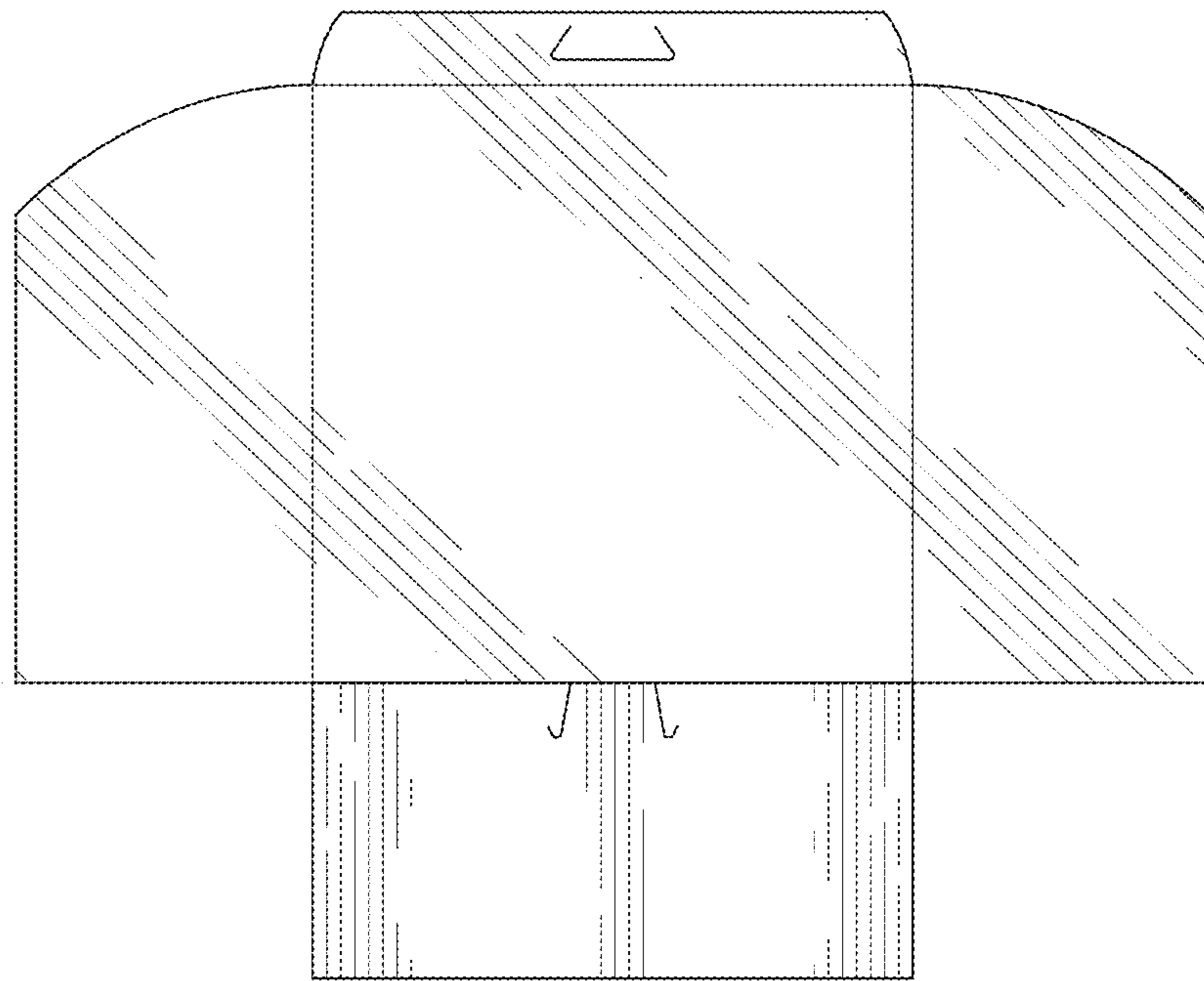
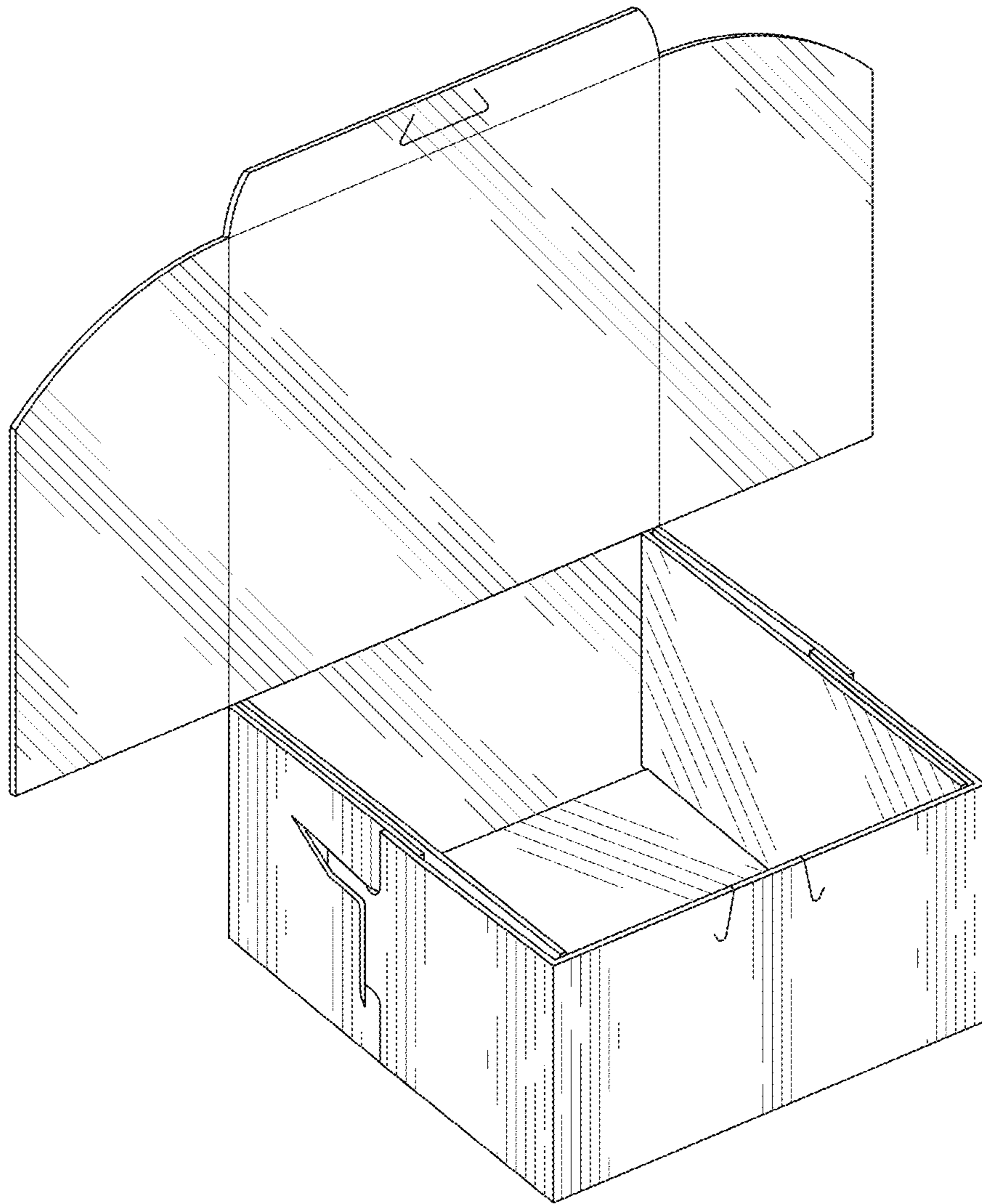


FIG. 8

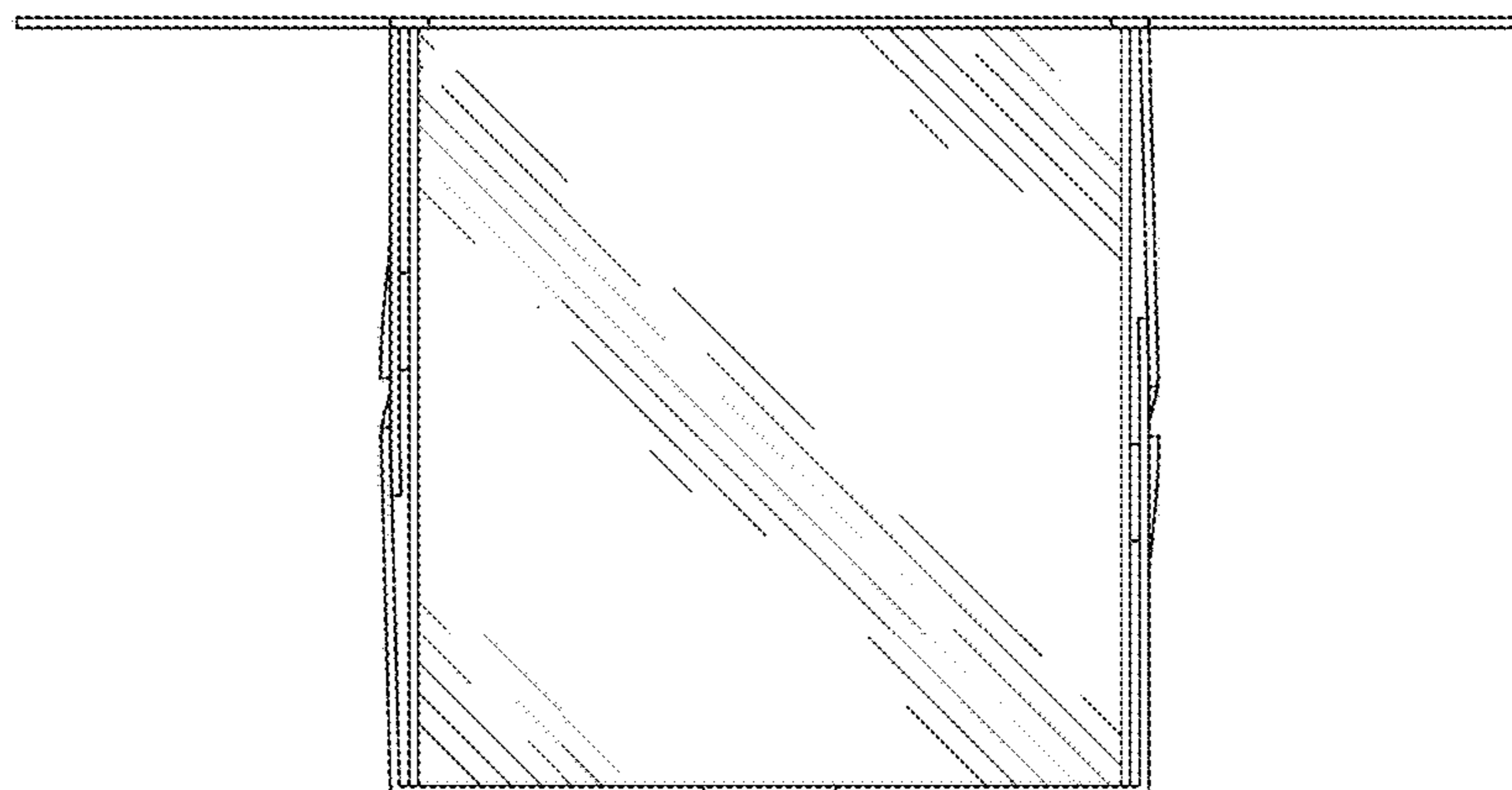


**FIG. 10**

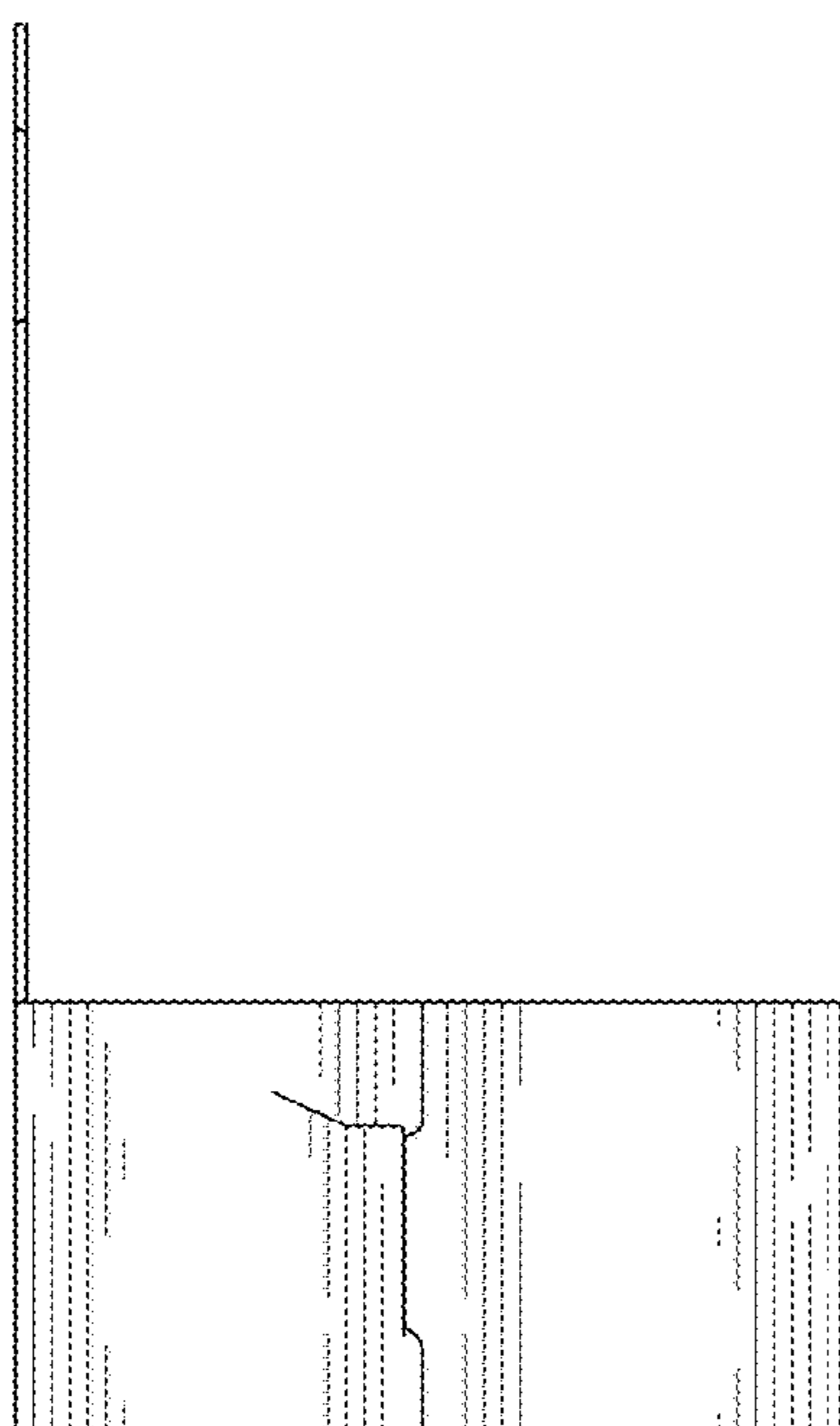




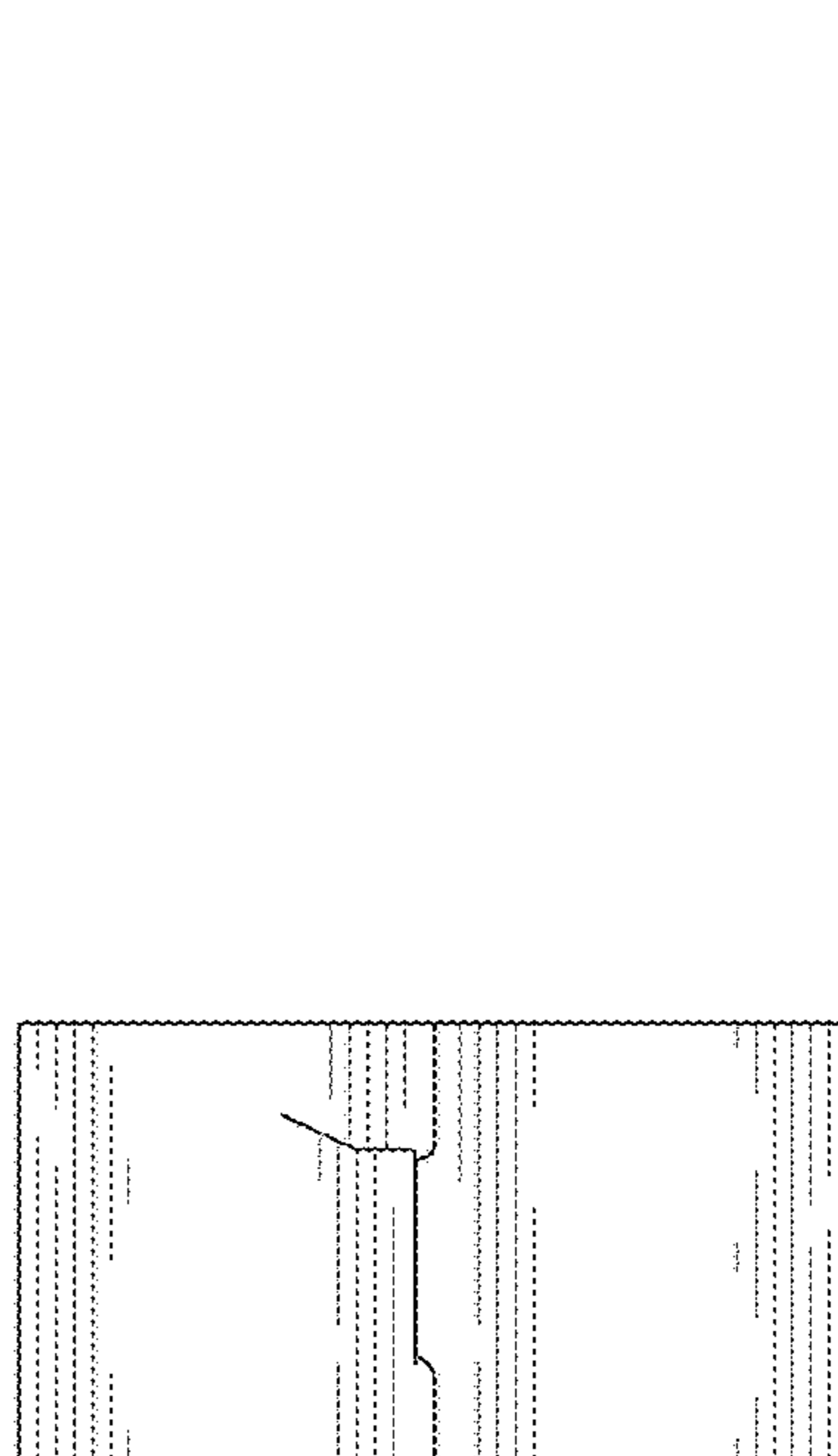
**FIG. 11**



**FIG. 12**



**FIG. 13**



**FIG. 14**

UNITED STATES PATENT AND TRADEMARK OFFICE  
**CERTIFICATE OF CORRECTION**

PATENT NO. : D798,709 S  
APPLICATION NO. : 29/439579  
DATED : October 3, 2017  
INVENTOR(S) : Leon Chen

Page 1 of 1

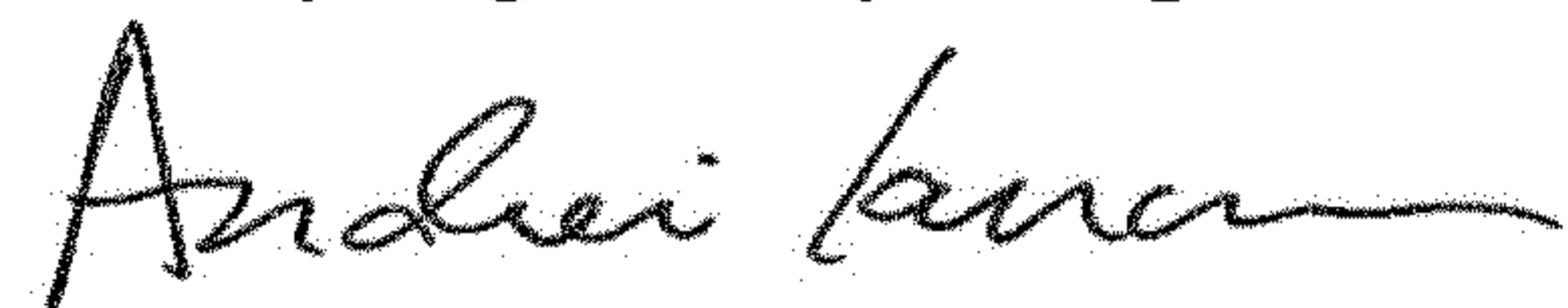
It is certified that error appears in the above-identified patent and that said Letters Patent is hereby corrected as shown below:

On the Title Page

Description:

Delete the last line, "The drawings are lined for color."

Signed and Sealed this  
Twenty-eighth Day of April, 2020



Andrei Iancu  
*Director of the United States Patent and Trademark Office*