



US00D798708S

(12) **United States Design Patent**
Chambers et al.

(10) **Patent No.:** **US D798,708 S**

(45) **Date of Patent:** **** Oct. 3, 2017**

(54) **LOCKING PACKAGING CONTAINER**

(71) Applicant: **All Packaging Company**, Aurora, CO (US)

(72) Inventors: **Christopher Chambers**, Aurora, CO (US); **Eric Gilger**, Aurora, CO (US)

(73) Assignee: **All Packaging Company**, Aurora, CO (US)

(**) Term: **15 Years**

(21) Appl. No.: **29/561,291**

(22) Filed: **Apr. 14, 2016**

(51) **LOC (10) Cl.** **09-03**

(52) **U.S. Cl.**
USPC **D9/432**

(58) **Field of Classification Search**
USPC D9/414-434, 442-445, 456, 457, 542, D9/563, 707, 708, 711, 754, 759, D9/772-776; D3/273, 276, 304, 305, D3/307, 309-313; D7/601, 602; D19/75, D19/90
CPC B65D 5/00; B65D 5/001; B65D 5/0015; B65D 5/1209; B65D 5/0227-5/0254; B65D 5/18; B65D 5/6605; B65B 5/06
See application file for complete search history.

(56) **References Cited**

U.S. PATENT DOCUMENTS

D369,469 S *	5/1996	Gregory	D3/313
D398,527 S *	9/1998	Maceachern	D9/420
D447,687 S *	9/2001	Roby	D9/422
6,398,026 B1 *	6/2002	Parsons	B65D 77/0413 206/349
D508,400 S *	8/2005	Scimone	D9/422
D610,001 S *	2/2010	McAlpine	D3/297
D625,598 S *	10/2010	Ruth	D9/415

D643,306 S *	8/2011	Martinez	D9/721
D724,601 S *	3/2015	Hsieh	D14/480.3
D742,738 S *	11/2015	Kim	D9/433
D771,486 S *	11/2016	Mayer	D9/418
D772,053 S *	11/2016	Mayer	D9/418
2005/0051461 A1 *	3/2005	Bryant	B65D 5/2047 206/769
2006/0054671 A1 *	3/2006	Galkoski	B65D 5/548 229/103.2

OTHER PUBLICATIONS

A Glossy T-shirt Packaging and Mailing Box. [online] Published date Dec. 12, 2014. Retrieved on Dec. 15, 2016 from <URL: <http://www.deprintedbox.com/blog/a-glossy-t-shirt-packaging-and-mailing-box/>>.*

* cited by examiner

Primary Examiner — Vy Koenig

Assistant Examiner — Omeed Agilee

(74) *Attorney, Agent, or Firm* — Holzer Patel Drennan

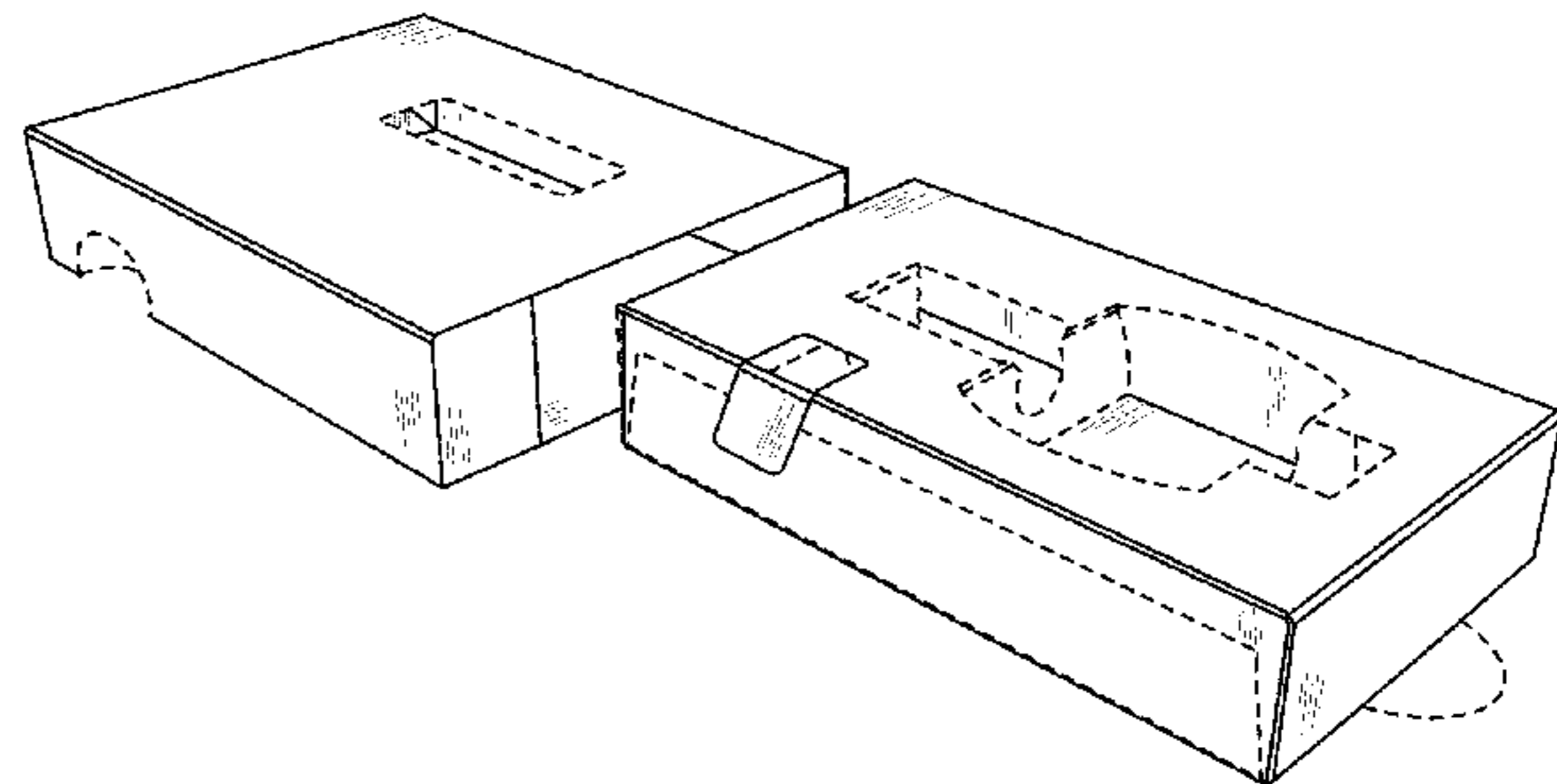
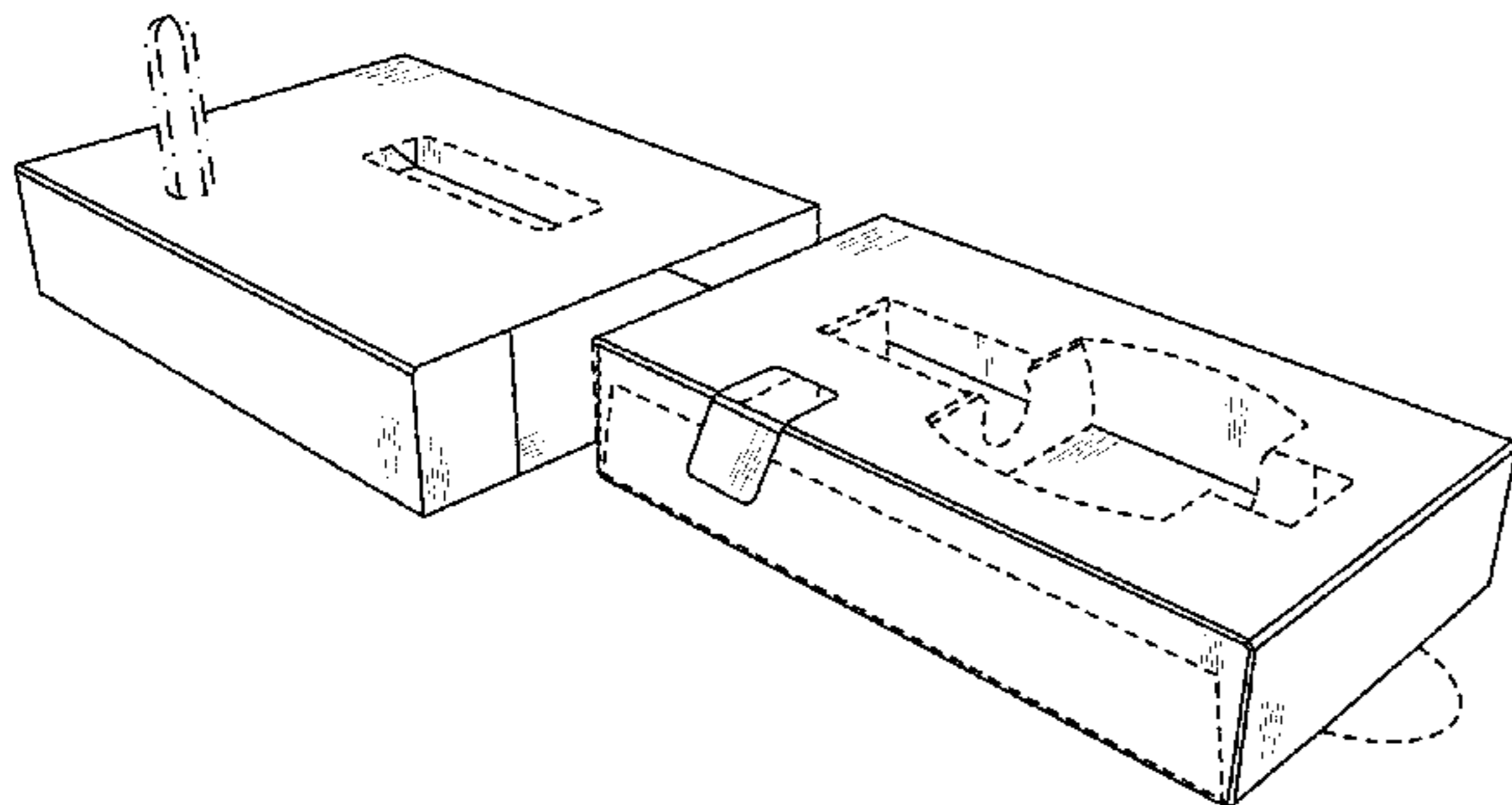
(57) **CLAIM**

We claim the ornamental design for a locking packaging container, as shown and described.

DESCRIPTION

FIG. 1 is a perspective view of the first embodiment of a locking packaging container in an assembled configuration, showing our new design; and, FIG. 2 is a perspective view of the second embodiment of a locking packaging container in an assembled configuration. The dashed lines shown in the drawings illustrate portions of a locking packaging container that form no part of the claimed design. The dashed-dotted lines shown in the drawings illustrate environmental subject matter that form no part of the claimed design.

1 Claim, 2 Drawing Sheets



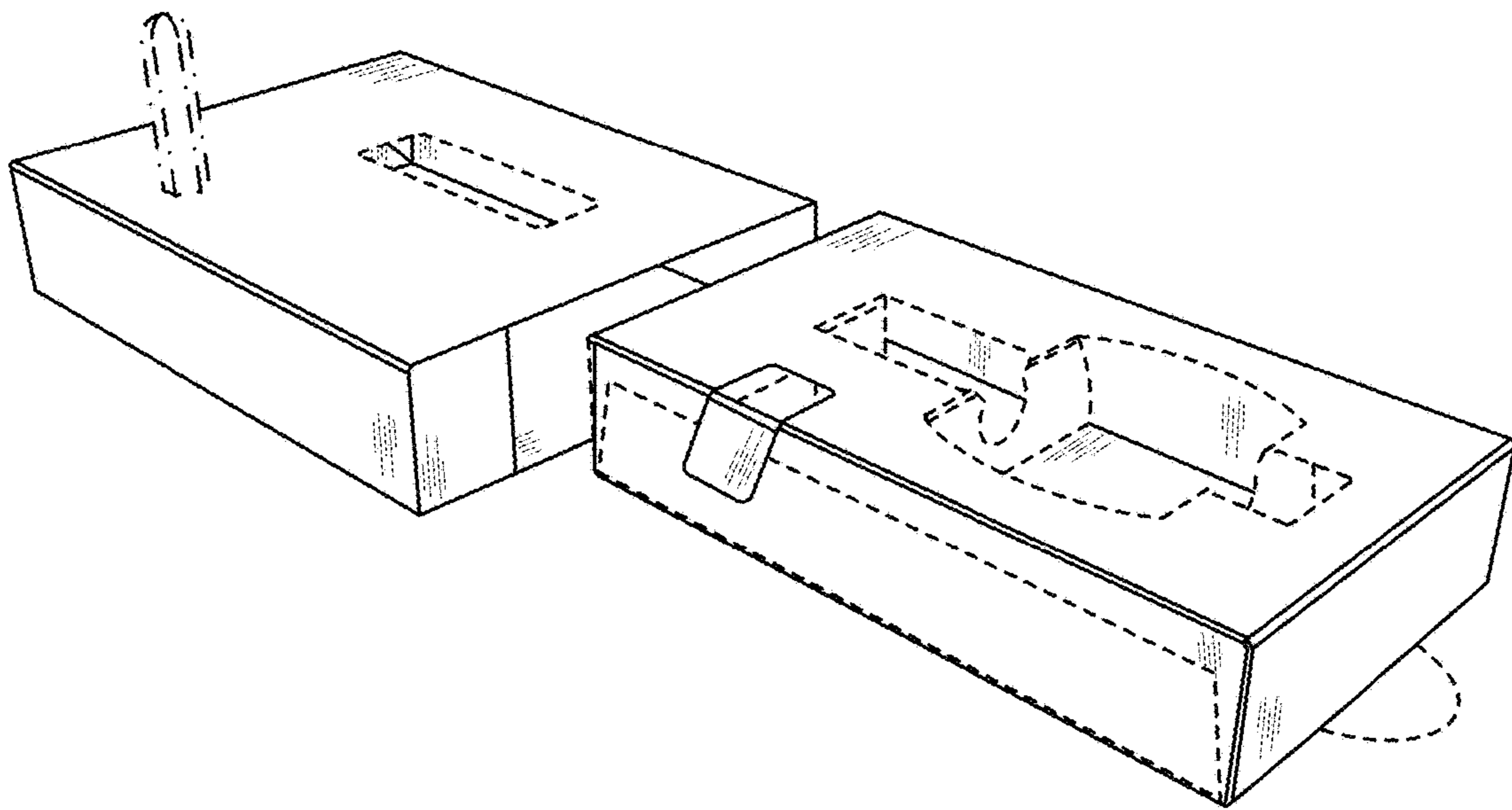


FIG. 1

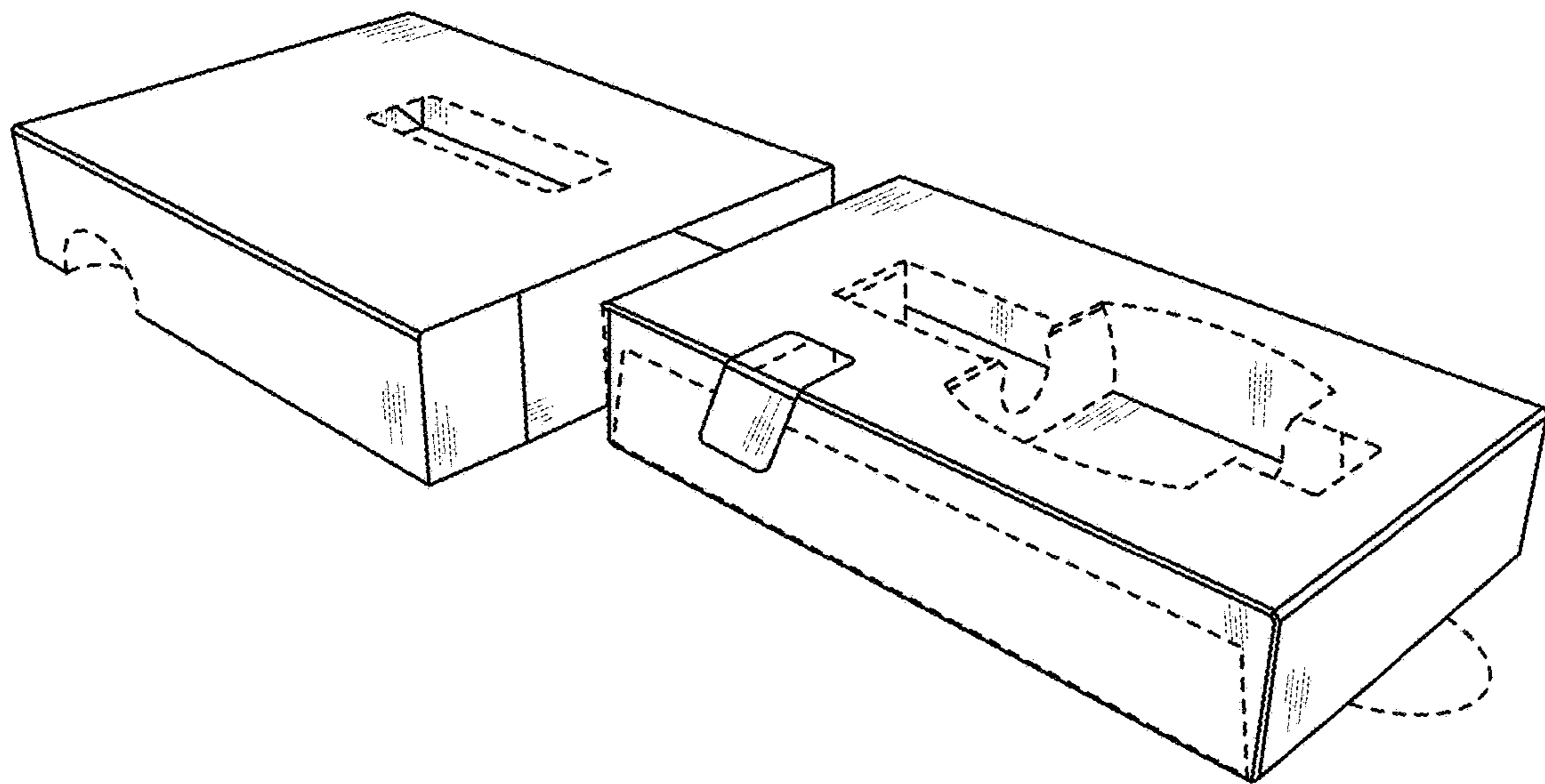


FIG. 2