



US00D798707S

(12) **United States Design Patent** (10) **Patent No.:** **US D798,707 S**
Mayer (45) **Date of Patent:** **** Oct. 3, 2017**

(54) **CLOSEABLE CONTAINER**
(71) Applicant: **Inno-Pak, LLC**, Delaware, OH (US)
(72) Inventor: **Steven A. Mayer**, Indianapolis, IN (US)
(73) Assignee: **Inno-Pak, LLC**, Delaware, OH (US)
(**) Term: **15 Years**
(21) Appl. No.: **29/573,417**
(22) Filed: **Aug. 5, 2016**

2,409,736 A 10/1946 Caimi
D158,362 S 5/1950 Dischler
2,568,170 A 9/1951 Ringler
D194,246 S 12/1962 Engelmann
D211,564 S 7/1968 Bailey
3,853,220 A 12/1974 Luray
D241,016 S 8/1976 Reynold
D255,011 S 5/1980 Cooper
5,411,204 A 5/1995 DeMay
D394,385 S 5/1998 Laughlin
D395,547 S 6/1998 Sussman
D397,294 S 8/1998 Saulas
D409,908 S 5/1999 Besana
5,927,502 A 7/1999 Hunter
(Continued)

Related U.S. Application Data

(62) Division of application No. 29/521,082, filed on Mar. 19, 2015, now Pat. No. Des. 764,281.
(51) **LOC (10) Cl.** **09-03**
(52) **U.S. Cl.**
USPC **D9/431**
(58) **Field of Classification Search**
USPC D9/414-434, 442-445, 456, 457, 542, D9/563, 600, 614-624, 655, 657, 658, D9/661, 685, 696, 697-699, 707, 708, D9/711, 754, 759, 772-776; D3/273, D3/276, 304, 305, 307; D7/601, 602, D7/709
CPC B65D 5/00; B65D 5/001; B65D 5/0015; B65D 5/0227-5/0254; B65D 5/18; B65D 5/38; B65D 5/40; B65D 5/2033; B65D 5/6605; B65D 5/48024; B65D 1/22; B65D 1/24; B65D 1/34; B65B 5/06
See application file for complete search history.

OTHER PUBLICATIONS

Southern Champion Tray 0761 #1. [online] Published date unknown. Retrieved on Jul. 13, 2017 from <URL: https://www.importitall.co.za/Southern-Champion-Tray-0761-1-ChampPak-Retro-TakeOut-Container-Kraft-Paperboard-with-Poly-Coated-Inside-438-L--ap-B00DTNBD7O.html>.*
(Continued)

Primary Examiner — Vy Koenig
Assistant Examiner — Omeed Agilee
(74) *Attorney, Agent, or Firm* — Ward and Smith, P.A.; Ryan K. Simmons

(57) **CLAIM**

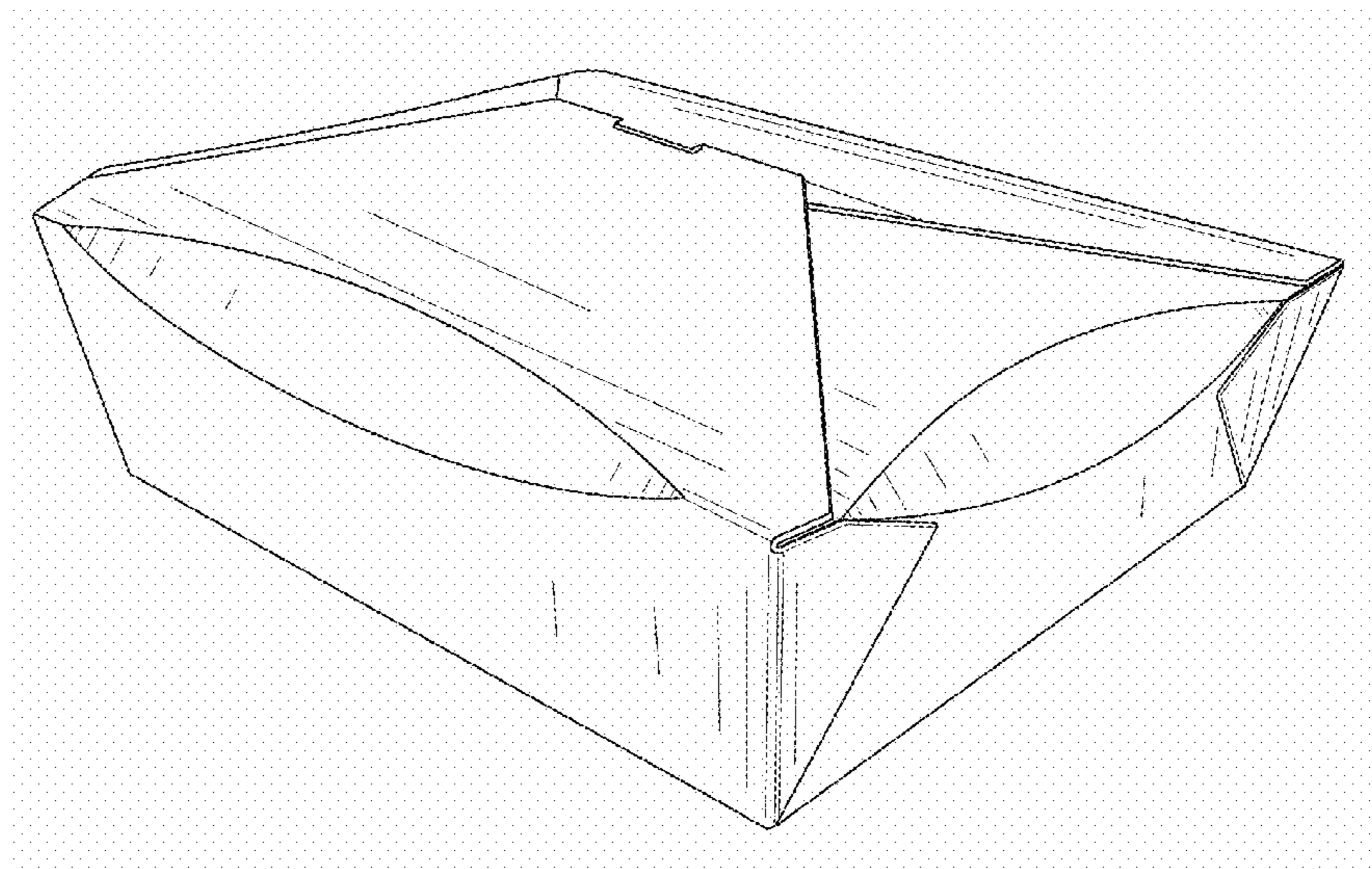
The ornamental design for a closeable container, as shown and described.

DESCRIPTION

FIG. 1 is a left side elevation view of a closeable container showing the new design, the right side being a mirror image; FIG. 2 is a front angle perspective view thereof, the rear angle perspective view being a mirror image thereof; and, FIG. 3 is another perspective view showing the closeable container in an open configuration.

1 Claim, 2 Drawing Sheets

(56) **References Cited**
U.S. PATENT DOCUMENTS
2,019,870 A 11/1935 Perry
2,062,949 A 12/1936 Taylor
D106,826 S 11/1937 Dieffenbach
D126,123 S 3/1941 Clemens



(56)

References Cited

U.S. PATENT DOCUMENTS

D412,398 S 8/1999 Watabe
 D442,859 S 5/2001 Hirschey
 D444,703 S 7/2001 Allasia
 D454,495 S 3/2002 Bryan
 D460,689 S 7/2002 Robinson
 D484,799 S 1/2004 Hoffman
 D497,309 S 10/2004 Nordland
 D509,733 S 9/2005 Jongens
 D519,366 S 4/2006 Epstein
 D519,830 S 5/2006 Yocum
 D521,376 S 5/2006 Mosto
 D521,862 S 5/2006 Siethoff
 D531,498 S 11/2006 Fluegel
 D567,671 S 4/2008 Say Ulin
 D568,765 S 5/2008 Miles
 D576,482 S 9/2008 DeBusk
 D582,268 S 12/2008 Zanaletti
 D596,027 S * 7/2009 Kalberer D9/432
 D631,742 S 2/2011 Hubbard, Jr.
 D631,743 S 2/2011 Hubbard, Jr.
 8,061,585 B2 11/2011 Nikolai
 D652,316 S * 1/2012 Ren D9/432
 D675,920 S 2/2013 Sill
 D676,742 S * 2/2013 Walter D9/434
 D678,761 S 3/2013 Cooper
 D679,950 S 4/2013 Cooper
 D682,085 S 5/2013 Hannant
 D682,684 S * 5/2013 Walter D9/434
 D684,465 S 6/2013 Vernon
 D684,858 S 6/2013 Sill
 D688,552 S 8/2013 Vernon
 D691,035 S 10/2013 Sill
 D693,215 S 11/2013 Sill
 D693,216 S 11/2013 Sill
 D693,217 S 11/2013 Sill
 D693,218 S 11/2013 Sill
 D693,679 S 11/2013 Sill
 D695,101 S 12/2013 Keberlein
 D695,104 S 12/2013 Sill
 D695,605 S 12/2013 Johnson
 D697,789 S * 1/2014 Gerdes D9/417
 D706,132 S 6/2014 Sill
 D707,042 S 6/2014 Ruzzenente
 D707,123 S 6/2014 Marchetti
 D710,691 S 8/2014 Genender
 D714,638 S * 10/2014 Mohn D9/432
 8,939,350 B2 1/2015 Valencia
 D726,533 S 4/2015 Northrup
 D727,732 S 4/2015 Petty
 D728,359 S 5/2015 Iwegbu
 D728,364 S 5/2015 Baker
 D730,178 S 5/2015 Fullan
 D731,325 S 6/2015 Loessin
 D735,576 S 8/2015 Aldridge
 D737,820 S * 9/2015 Yu D14/365
 9,211,970 B2 12/2015 Hubbard, Jr.
 9,216,837 B2 12/2015 Hubbard
 D752,429 S 3/2016 Mayer

9,309,023 B2 4/2016 Hubbard, Jr.
 D758,184 S 6/2016 Tu
 D764,281 S * 8/2016 Mayer D9/420
 D775,946 S * 1/2017 Ghini D9/430
 2004/0182916 A1 9/2004 Roseth
 2005/0051461 A1 3/2005 Bryant
 2010/0065620 A1 3/2010 Smith
 2012/0234904 A1 9/2012 Costanzo, Jr.
 2014/0203070 A1 7/2014 Lee
 2014/0263353 A1 9/2014 Bell
 2014/0263600 A1 9/2014 Valencia
 2016/0107830 A1 4/2016 Baryshyan

OTHER PUBLICATIONS

Southern Champion Tray 0764 #4. [online] Published date unknown. Retrieved on Jul. 13, 2017 from <URL: <https://www.importitall.co.za/Southern-Champion-Tray-0764-4-ChampPak-Retro-TakeOut-Container-Kraft-Paperboard-with-Poly-Coated-Inside-734-L--ap-B00DE035YG.html>>.*
 Curved lid box, available Nov. 2, 2013, [online], [site visited Oct. 30, 2015]. Available from internet, <URL: <http://www.robives.com/category/tags/highlight?page=3>>.
 Empty candy boxes, available Oct. 12, 2013, [on line], [site visited Oct. 30, 2015]. Available from internet, <URL: <http://www.blaircandy.com/emcabo.html>>.
 Inno-Pak is Staying Put, available Jun. 13, 2015, [on line], [site visited Dec. 11, 2015]. Available from internet, <URL: <http://delgazette.com/news/295/inno-pak-is-staying-put>>.
 Kalifornia Love. Jul. 28, 2010 [earliest on line date], [site visited Nov. 4, 2016]. Available from Internet, <URL: <http://www.kalifornialove.com/2010/07/extra-fruit-sensations-sweet-watermelon.html>>.
 Natural Kraft Windowed Boxes, available Oct. 4, 2014, [online], [site visited Dec. 11, 2015]. Available from internet, <URL: <http://www.splashpackaging.com/Natural-Kraft-Window-Bakery-Boxes>>.
 Nearof! Review: Stride Spark Vitamin Chewing Gum. Sep. 7, 2011 [earliest on line date], [site visited Nov. 4, 2016]. Available from Internet, <URL: <http://www.nearof.com/?p=540>>.
 Origami treasure chest (YouTube), available Nov. 29, 2010, [on line], [site visited Oct. 30, 2015]. Video available from Internet, <URL: <https://www.youtube.com/watch?v=WpgGqeBQvj4>>.
 Southern Champion Tray Window Bakery Box, available Mar. 15, 2013, [online], [site visited Dec. 11, 2015]. Available from Internet, <URL: http://www.amazon.com/gp/product/B008WCWJ9S/ref=s9_zwish_hd_bw_g328_i1?of_rd_m=ATVPDKIKXODER&pf_rd_s=merchandised-search-5&pf_rd_r=OF299N2PNPMAY8WZM12D&pf_rd_t=101&pf_rd_p=2223275202&pf_rd_i=5016466011>.
 Take-out Container, available Jan. 17, 2013, [on line], [site visited Oct. 30, 2015]. Available from internet, <URL: http://www.amazon.com/Southern-Champion-Tray-0731-Paperboard/productreviews/B004NG9A2Q/ref=cm_cr_pr_btm_link_2?ie=UTF8&showViewpoints=1&sortBy=bySubmissionDateDescending&reviewerType=all_reviews&formatType=all_formats&pageNumber=2>.

* cited by examiner

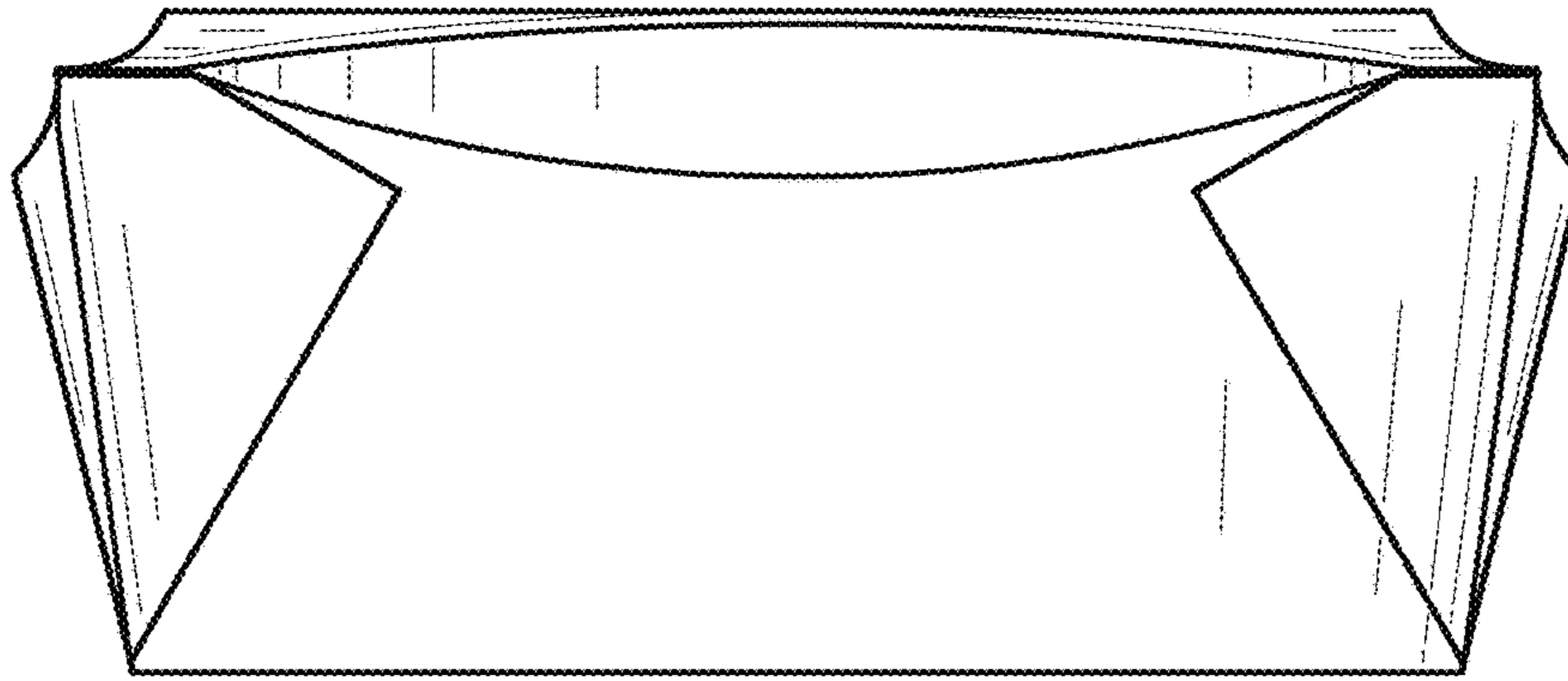


FIG. 1

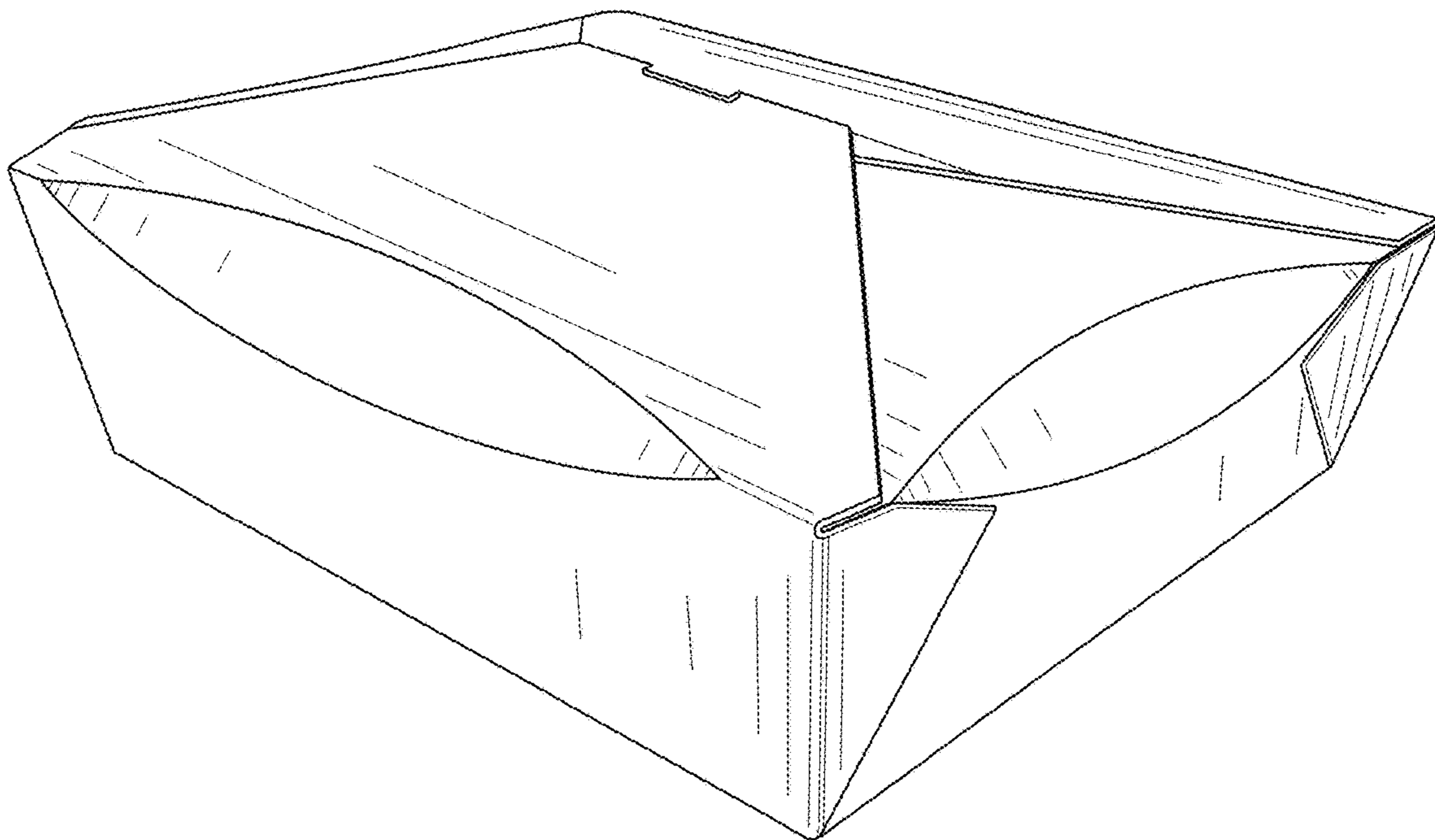


FIG. 2

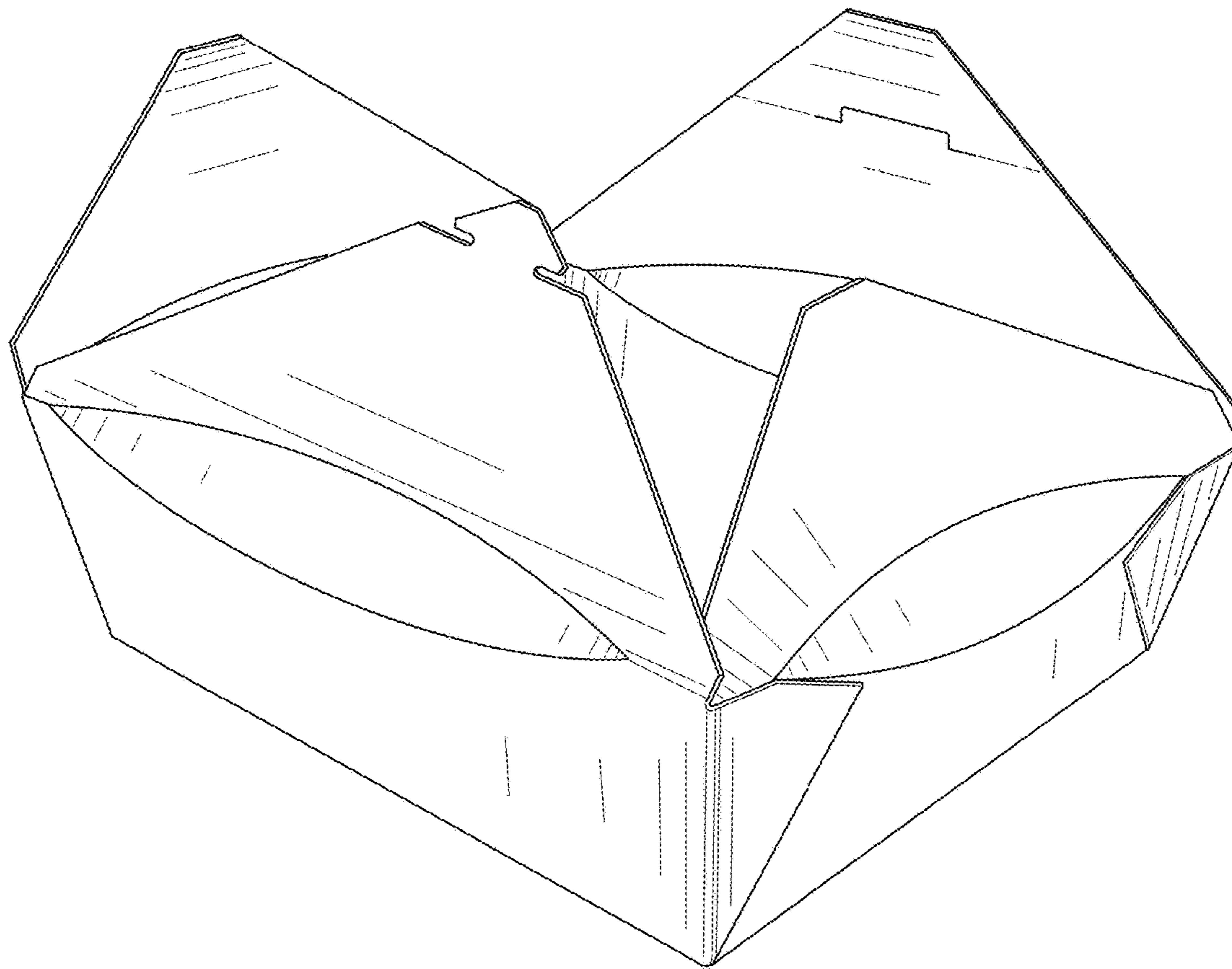


FIG. 3