

US00D798706S

(12) **United States Design Patent** (10) **Patent No.:** **US D798,706 S**  
**Astorga et al.** (45) **Date of Patent:** **\*\* Oct. 3, 2017**

(54) **CONTAINER**

(71) Applicant: **Peninsula Packaging, LLC**, Exeter, CA (US)

(72) Inventors: **Ricardo Astorga**, Whittier, CA (US);  
**Jeanne Clark**, Los Angeles, CA (US)

(73) Assignee: **SONOCO DEVELOPMENT, INC.**, Hartsville, SC (US)

(\*\*) Term: **14 Years**

(21) Appl. No.: **29/518,973**

(22) Filed: **Feb. 27, 2015**

(51) **LOC (10) Cl.** ..... **09-03**

(52) **U.S. Cl.**  
USPC ..... **D9/426**

(58) **Field of Classification Search**  
USPC ..... D9/414, 416, 418, 420, 423–426, 430,  
D9/431, 432; 220/4.21–4.24, 315, 574,  
(Continued)

(56) **References Cited**

**U.S. PATENT DOCUMENTS**

2,939,603 A 6/1960 Young  
3,351,227 A 11/1967 Collie  
(Continued)

**OTHER PUBLICATIONS**

“B7375”. Found online Sep. 20, 2016 at [www.peninsulapackaging.com](http://www.peninsulapackaging.com). Page dated Jun. 8, 2015. Retrieved from <URL:https://web.archive.org/web/20150608161956/http://peninsulapackaging.com/product/b7375/>.\*

(Continued)

*Primary Examiner* — Caron D Veynar  
*Assistant Examiner* — Katelin G Kloberg

(74) *Attorney, Agent, or Firm* — Loza & Loza, LLP;  
Heidi L. Eisenhut

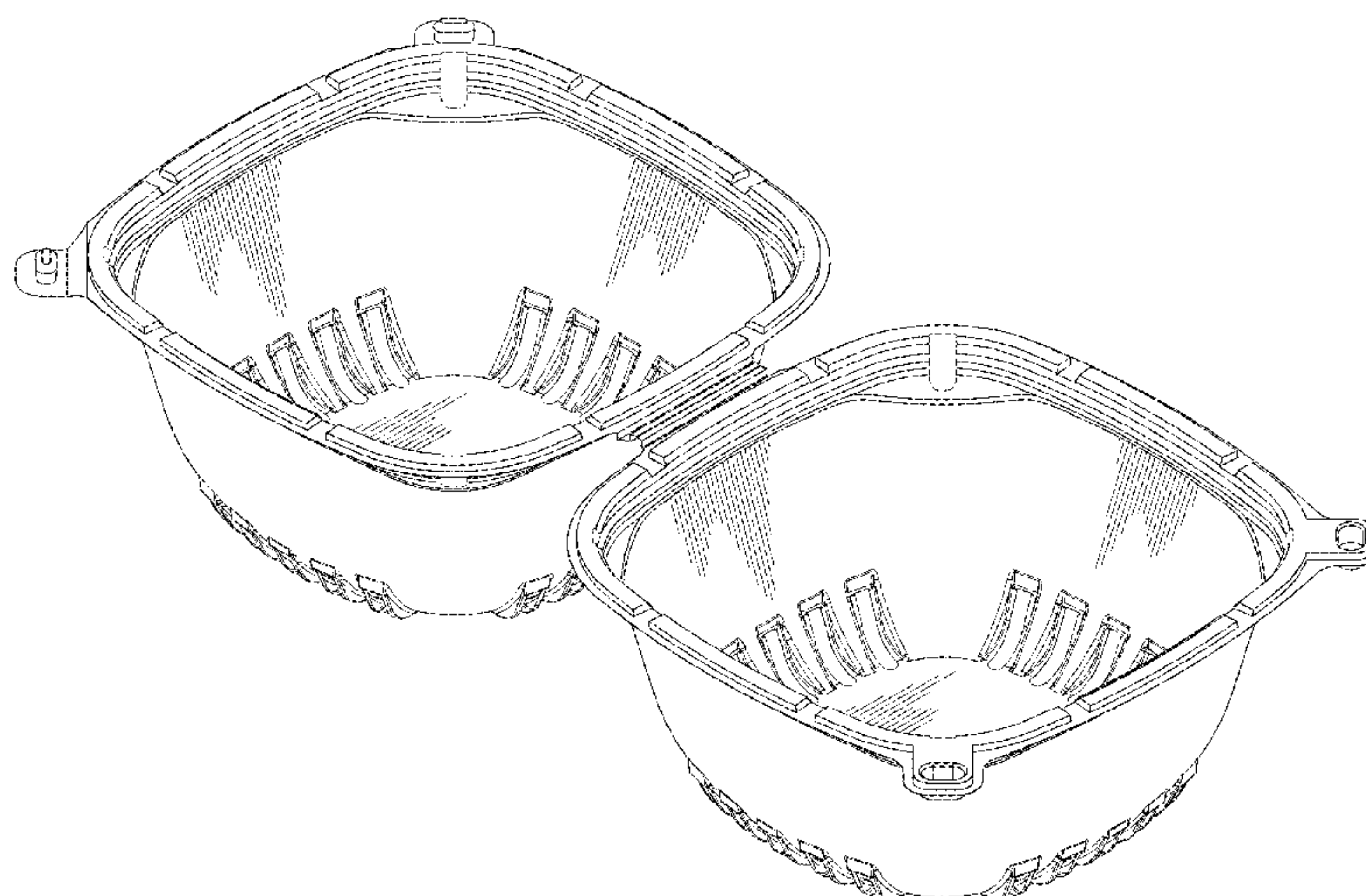
(57) **CLAIM**

The ornamental design for a container, as shown and described.

**DESCRIPTION**

FIG. 1 is a front top left side perspective view of a container of the present invention;  
FIG. 2 is a bottom rear right side perspective view thereof, shown in an open condition of use;  
FIG. 3 is a front elevational view thereof, shown in an open condition of use;  
FIG. 4 is a rear elevational view thereof, shown in an open condition of use;  
FIG. 5 is a right side elevational view thereof, shown in an open condition of use;  
FIG. 6 is a left side elevational view thereof, shown in an open condition of use;  
FIG. 7 is a top plan view thereof, shown in an open condition of use;  
FIG. 8 is a bottom plan view thereof, shown in an open condition of use;  
FIG. 9 is a front top left side perspective view thereof, shown in a closed condition of use;  
FIG. 10 is a front elevational view thereof, shown in a closed condition of use;  
FIG. 11 is a rear elevational view thereof, shown in a closed condition of use;  
FIG. 12 is a right side elevational view thereof, shown in a closed condition of use;  
FIG. 13 is a left side elevational view thereof, shown in a closed condition of use;  
FIG. 14 is a top plan view thereof, shown in a closed condition of use; and,  
FIG. 15 is a bottom plan view thereof, shown in a closed condition of use.  
The broken lines represent portions of the container that form no portion of the claim.

**1 Claim, 11 Drawing Sheets**





(58) **Field of Classification Search**  
 USPC ..... 220/602–606, 608, 659, 675, 781–782,  
 220/793, 835, 537, 839; 206/470, 508,  
 206/521.1, 541; 229/406–407, 902;  
 D7/538, 545, 566, 584, 586, 602, 629  
 CPC ..... B65D 43/162  
 See application file for complete search history.

(56) **References Cited**

U.S. PATENT DOCUMENTS

3,351,270	A	11/1967	Hohnjec	
3,356,277	A	12/1967	Hohnjec	
3,396,867	A	8/1968	Garriga	
3,412,889	A	11/1968	Eicholtz et al.	
3,416,690	A	12/1968	Michael	
3,421,682	A	1/1969	Eisenbach	
3,655,110	A	4/1972	Eisenbach	
3,786,982	A	1/1974	Rakes et al.	
3,933,296	A	1/1976	Ruskin et al.	
D272,595	S	2/1984	Chase et al.	
4,494,650	A	1/1985	Cullen	
4,512,474	A	4/1985	Harding	
4,576,330	A	3/1986	Schepp	
4,593,816	A	6/1986	Langenbeck	
4,886,204	A	12/1989	Kalmanides	
4,892,220	A	1/1990	Foos	
5,012,928	A	5/1991	Proffitt et al.	
D318,420	S	7/1991	Amelse	
5,031,774	A	7/1991	Morris et al.	
5,046,659	A	9/1991	Warburton	
5,071,026	A	12/1991	Apps	
5,092,479	A	3/1992	Wells	
5,156,267	A	10/1992	Yates, Jr. et al.	
5,169,014	A	12/1992	Hexamer	
D343,576	S	1/1994	Krupa	
5,377,860	A	1/1995	Littlejohn et al.	
D361,035	S	8/1995	Krupa	
D361,036	S	8/1995	Krupa	
5,456,379	A	10/1995	Krupa et al.	
D363,879	S	11/1995	Krupa et al.	
5,497,894	A	3/1996	Krupa et al.	
5,515,993	A	5/1996	McManus	
5,584,408	A	12/1996	Orkisz	
D378,192	S	2/1997	Krupa et al.	
D380,381	S *	7/1997	Krupa ..... D9/425	
D382,112	S	8/1997	Egan	
D382,795	S	8/1997	Abayhan et al.	
5,653,345	A	8/1997	Knoss et al.	
5,711,978	A	1/1998	Breen et al.	
5,758,791	A	6/1998	Mangla	
5,833,116	A	11/1998	Guillin	
5,860,549	A	1/1999	Allers et al.	
D409,485	S	5/1999	Christy, Jr.	
5,979,687	A	11/1999	Hayes et al.	
5,992,628	A	11/1999	Vermilion et al.	
6,079,554	A	6/2000	Hammett et al.	
6,085,930	A	7/2000	Curtis	
D438,100	S	2/2001	Cekota	
D451,278	S	12/2001	Cooper	
D467,496	S	12/2002	Hayes et al.	
6,508,395	B2	1/2003	McLeod	
6,588,612	B1	7/2003	Dorn et al.	
D478,282	S	8/2003	Hayes et al.	
6,644,494	B2	11/2003	Hayes et al.	
6,666,348	B2	12/2003	Fore et al.	
D490,278	S	5/2004	Welsh	
D493,672	S	8/2004	Jalet et al.	
6,845,878	B2	1/2005	Hayes et al.	
D506,147	S	6/2005	Hall	
D509,106	S	9/2005	de Groote et al.	
D514,389	S	2/2006	Luna et al.	
D524,645	S *	7/2006	LaMasney ..... D9/429	
D531,802	S	11/2006	Zimmerman	

7,204,388	B2	4/2007	Galland et al.	
D544,755	S	6/2007	Diesman	
7,243,813	B2	7/2007	Krueger	
7,246,714	B2	7/2007	Garg et al.	
7,255,231	B2	8/2007	Andrews et al.	
D566,483	S	4/2008	Tucker et al.	
D569,243	S	5/2008	Kidd et al.	
D573,015	S *	7/2008	Chen ..... D9/425	
D579,326	S	10/2008	Chen	
7,441,672	B2	10/2008	Cadiente et al.	
7,472,799	B2	1/2009	Cadiente et al.	
D591,148	S	4/2009	Parikh et al.	
D601,013	S *	9/2009	Petitjean ..... D9/426	
7,597,206	B2	10/2009	Atkins et al.	
D604,604	S	11/2009	Strange	
D606,811	S	12/2009	Furlong	
D607,282	S	1/2010	Furlong	
D621,222	S	8/2010	Heiberg et al.	
7,784,615	B2	8/2010	Stahl	
7,819,279	B2	10/2010	Galland et al.	
D628,062	S *	11/2010	Snedden ..... D9/426	
D628,472	S *	12/2010	Strange ..... D9/425	
7,866,502	B2	1/2011	Maxwell	
D678,050	S	3/2013	Birchmeier et al.	
D680,860	S *	4/2013	Schulter ..... D9/420	
D688,941	S	9/2013	Sifuentes et al.	
D696,938	S	1/2014	BeVier et al.	
D720,990	S	1/2015	Jacobs et al.	
D723,339	S	3/2015	Maxwell et al.	
D723,340	S	3/2015	Maxwell et al.	
D738,205	S *	9/2015	Astorga ..... D9/429	
D743,784	S *	11/2015	Fife ..... D9/425	
D749,412	S *	2/2016	Hu ..... D9/426	
D753,808	S *	4/2016	Schmidt Dios ..... D23/359	
2003/0052133	A1	3/2003	Hayes et al.	
2003/0152670	A1	8/2003	Shih	
2003/0192888	A1	10/2003	Chang	
2003/0198714	A1	10/2003	Cadiente et al.	
2005/0040068	A1	2/2005	Palder	
2005/0167317	A1	8/2005	Barrett et al.	
2005/0247709	A1	11/2005	Atkins et al.	
2006/0289550	A1	12/2006	Guardigli	
2007/0045631	A1	3/2007	Endo et al.	
2007/0095848	A1	5/2007	Galland et al.	
2008/0000800	A1	1/2008	LaMarche et al.	
2008/0023472	A1	1/2008	Brandt	
2008/0135556	A1	6/2008	Bontrager et al.	
2009/0065514	A1	3/2009	Vovan	
2009/0134179	A1	5/2009	Kidd et al.	
2009/0134180	A1	5/2009	Kidd et al.	
2009/0223966	A1	9/2009	Kidd et al.	
2012/0031921	A1 *	2/2012	Cadiente ..... B65D 43/162 220/835	
2015/0367987	A1 *	12/2015	Clark ..... B65D 21/0201 220/23.86	

OTHER PUBLICATIONS

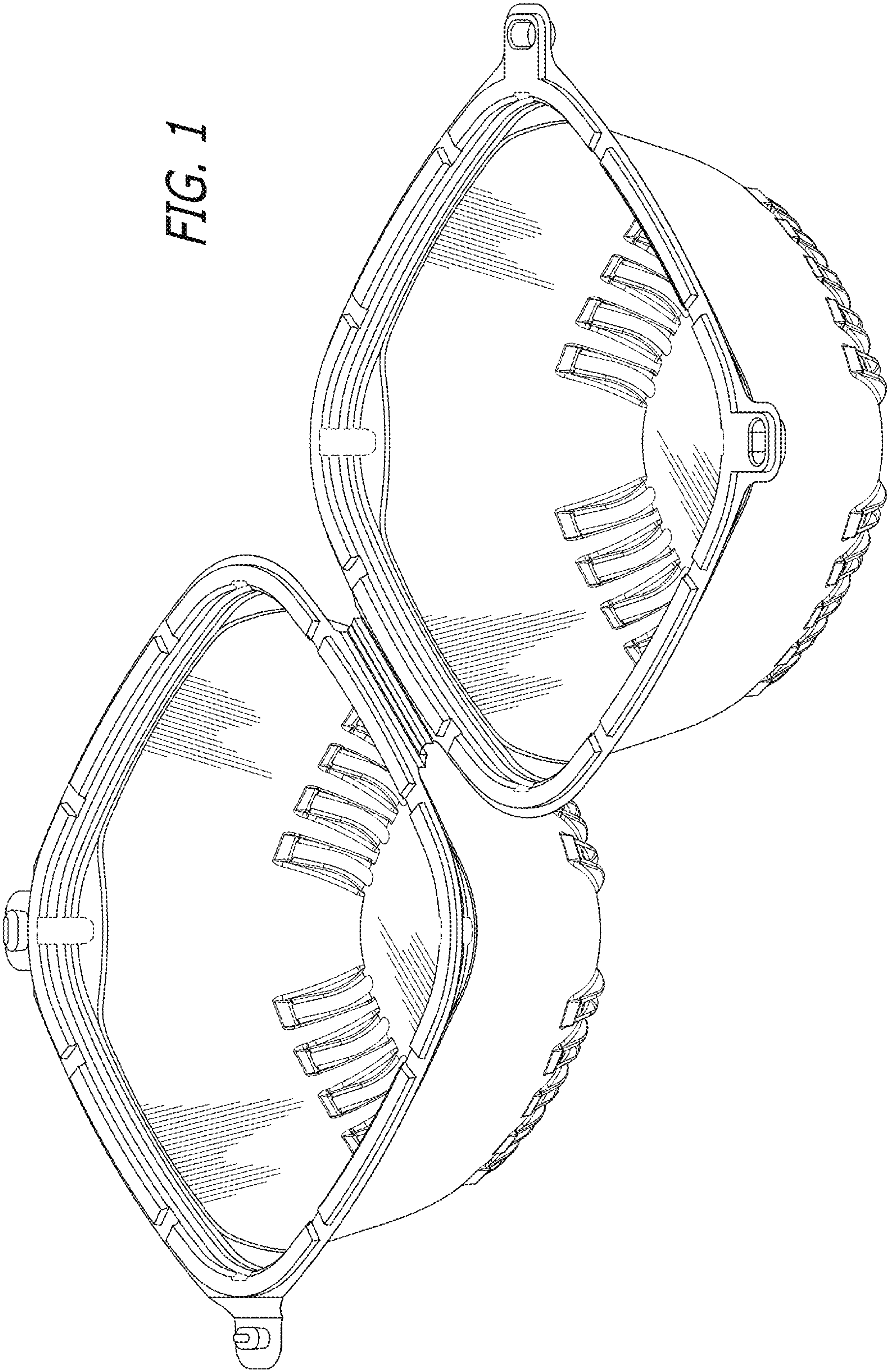
“4lb. Vented Clamshell”. Found online Sep. 22, 2016 at www.webstaurantstore.com. Page dated Nov. 4, 2013. Retrieved from <URL:https://web.archive.org/web/20131104013000/http://www.webstaurantstore.com/4-lb-vented-clamshell-produce-berry-container-170-case/4341260.html>.\*

“Item No. 1134”. Found online Sep. 22, 2016 at www.glacierv.com. Page dated Jul. 13, 2014. Retrieved from <URL:https://web.archive.org/web/20140713062851/http://www.glacierv.com/SPD/item-no-1134--quart--tamper-evident-clamshell-container--clear-plastic--qty--200-800004B3-1359414229.jsp>.\*

“Berry Fruit Packaging”. Found online Sep. 22, 2016 at www.socontainers.com. Page dated Oct. 12, 2014. Retrieved from <URL:https://web.archive.org/web/20141012095604/http://socontainers.com/berry-fruit-packaging>.\*

\* cited by examiner

FIG. 1





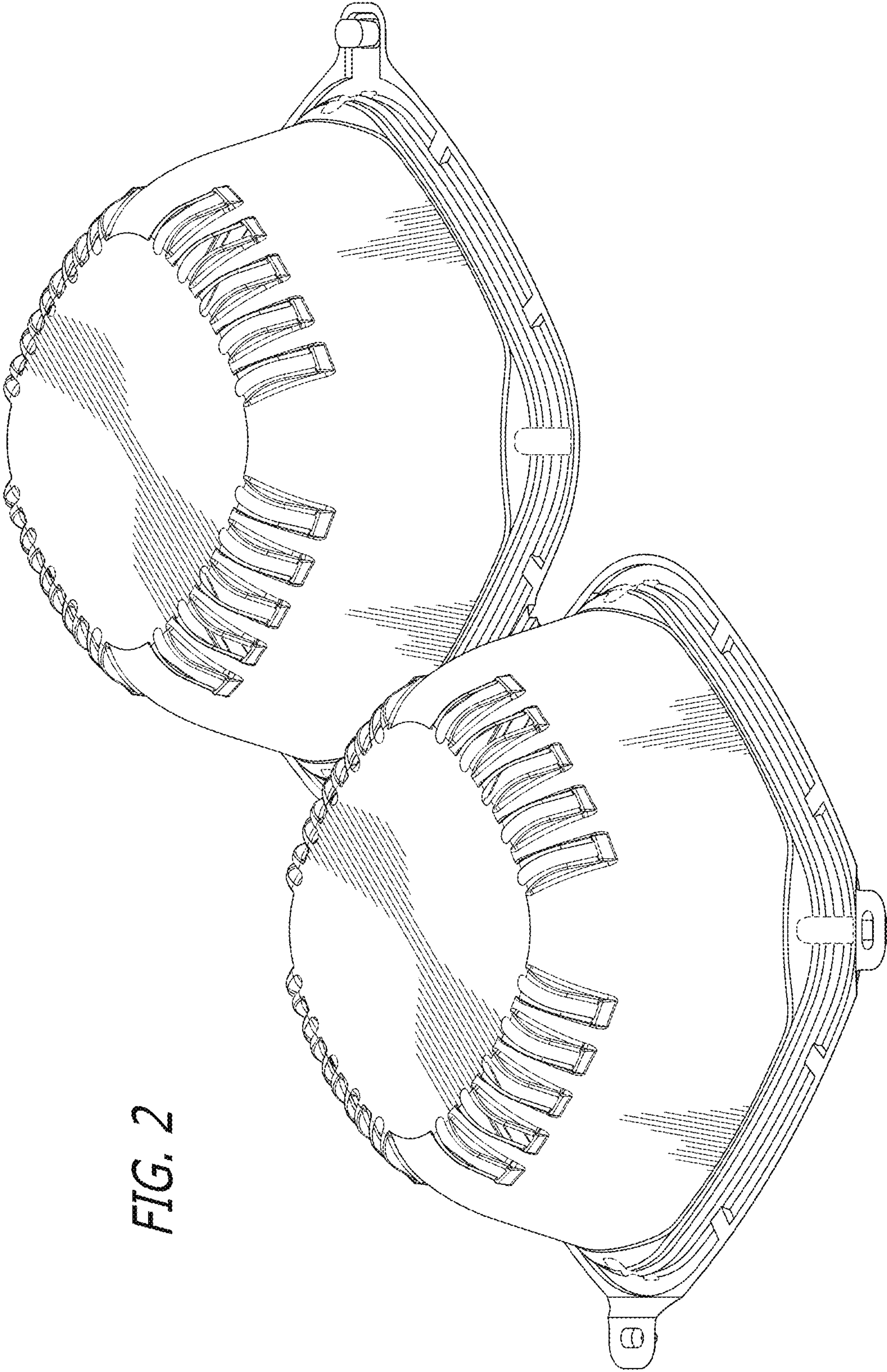


FIG. 2

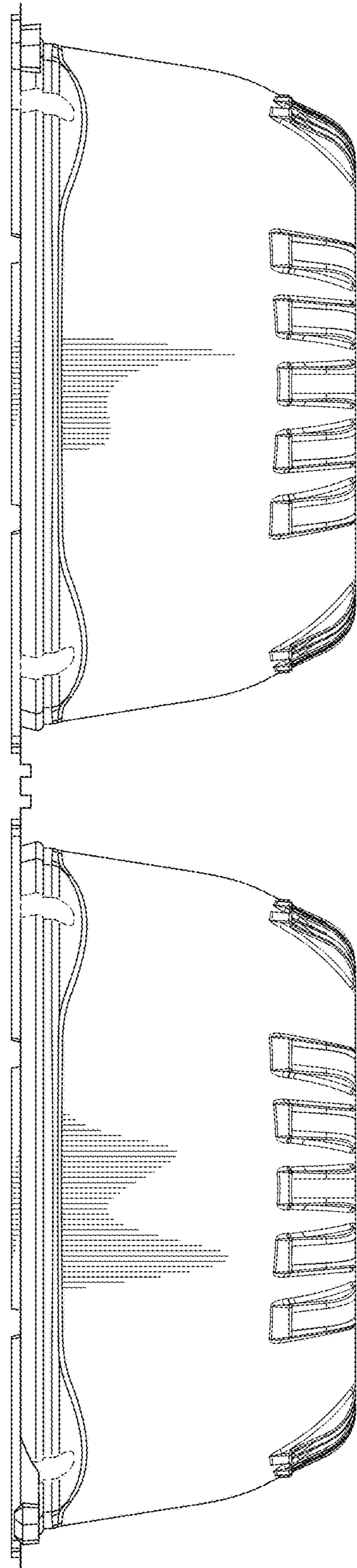


FIG. 3

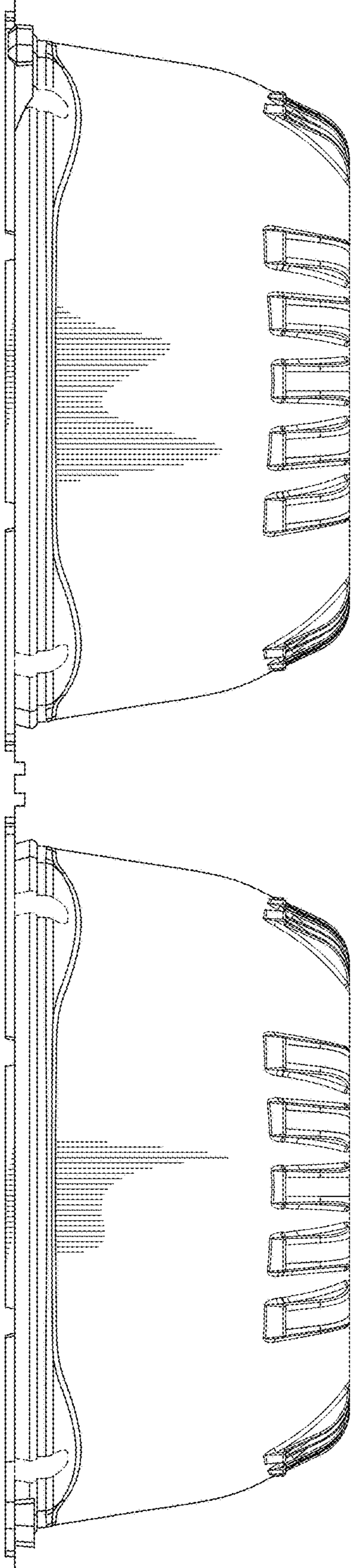
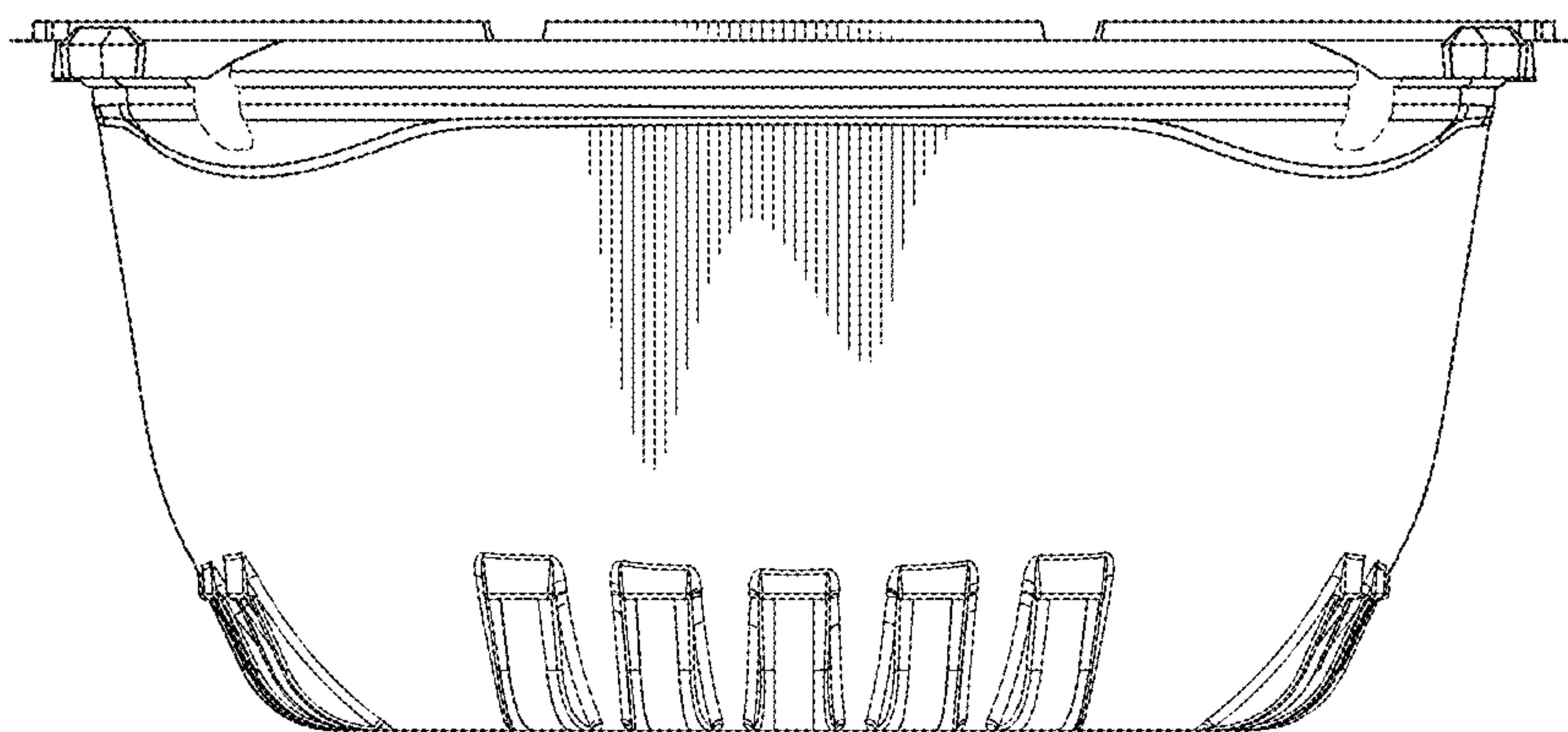
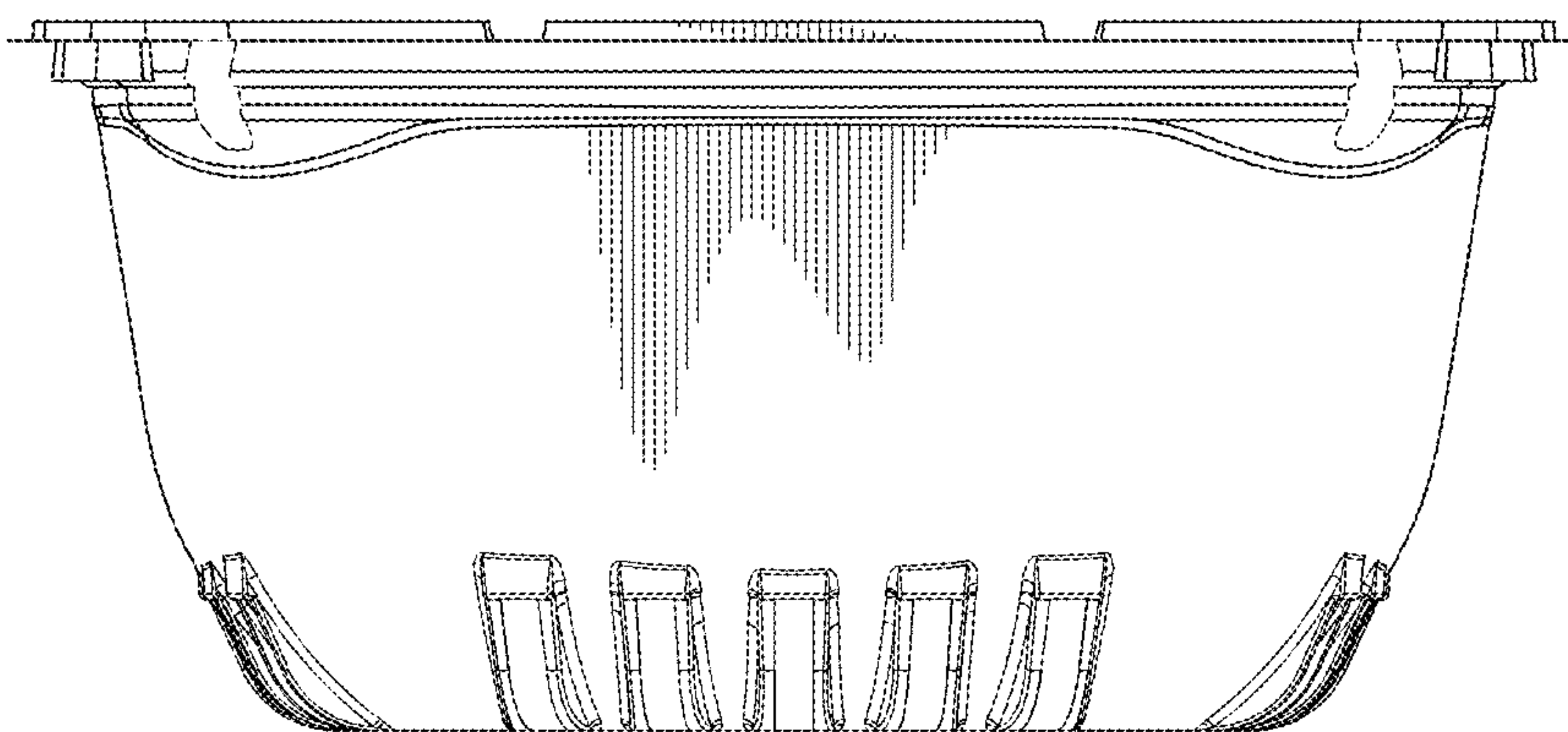


FIG. 4





*FIG. 5*



*FIG. 6*

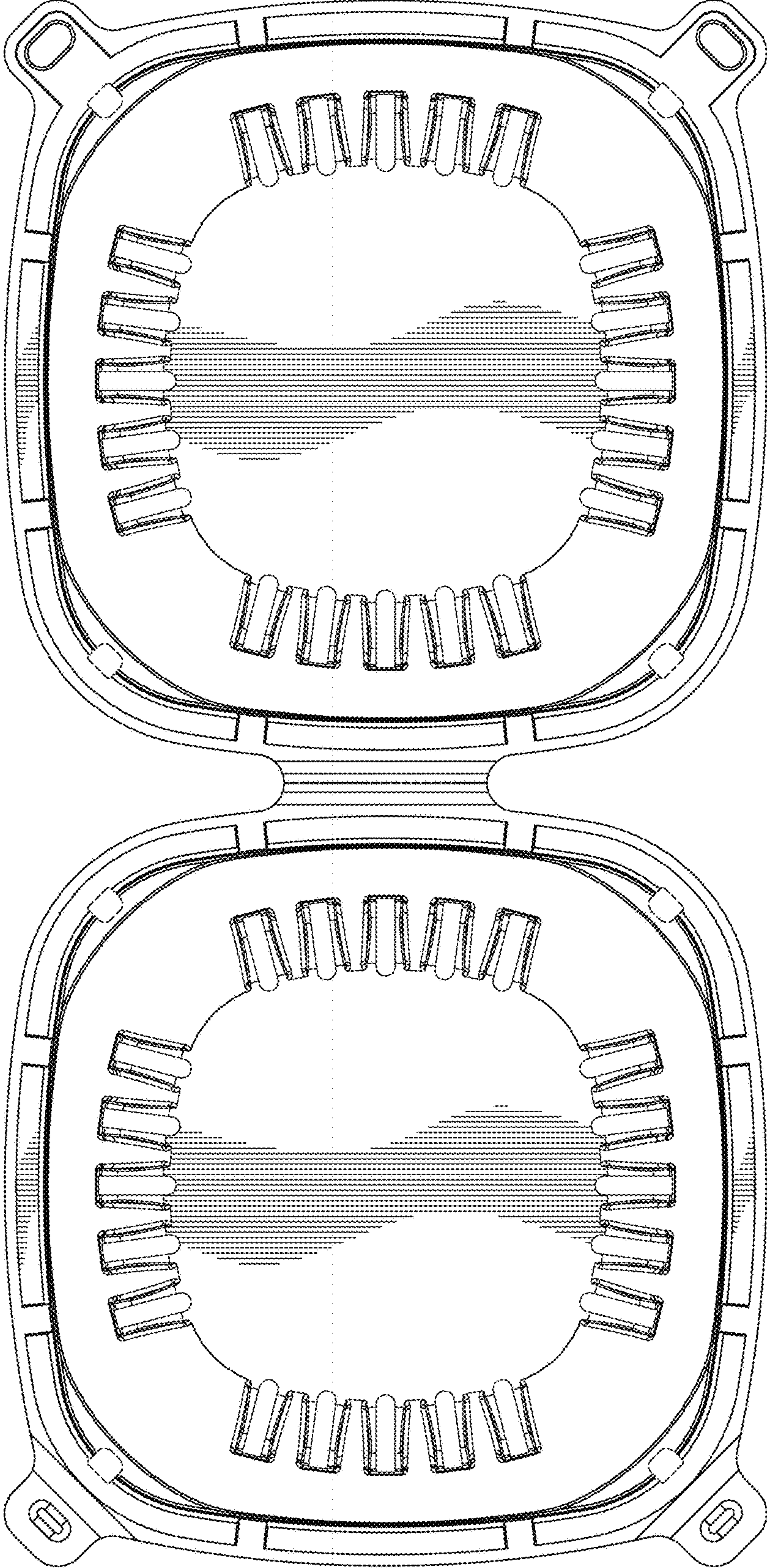


FIG. 7



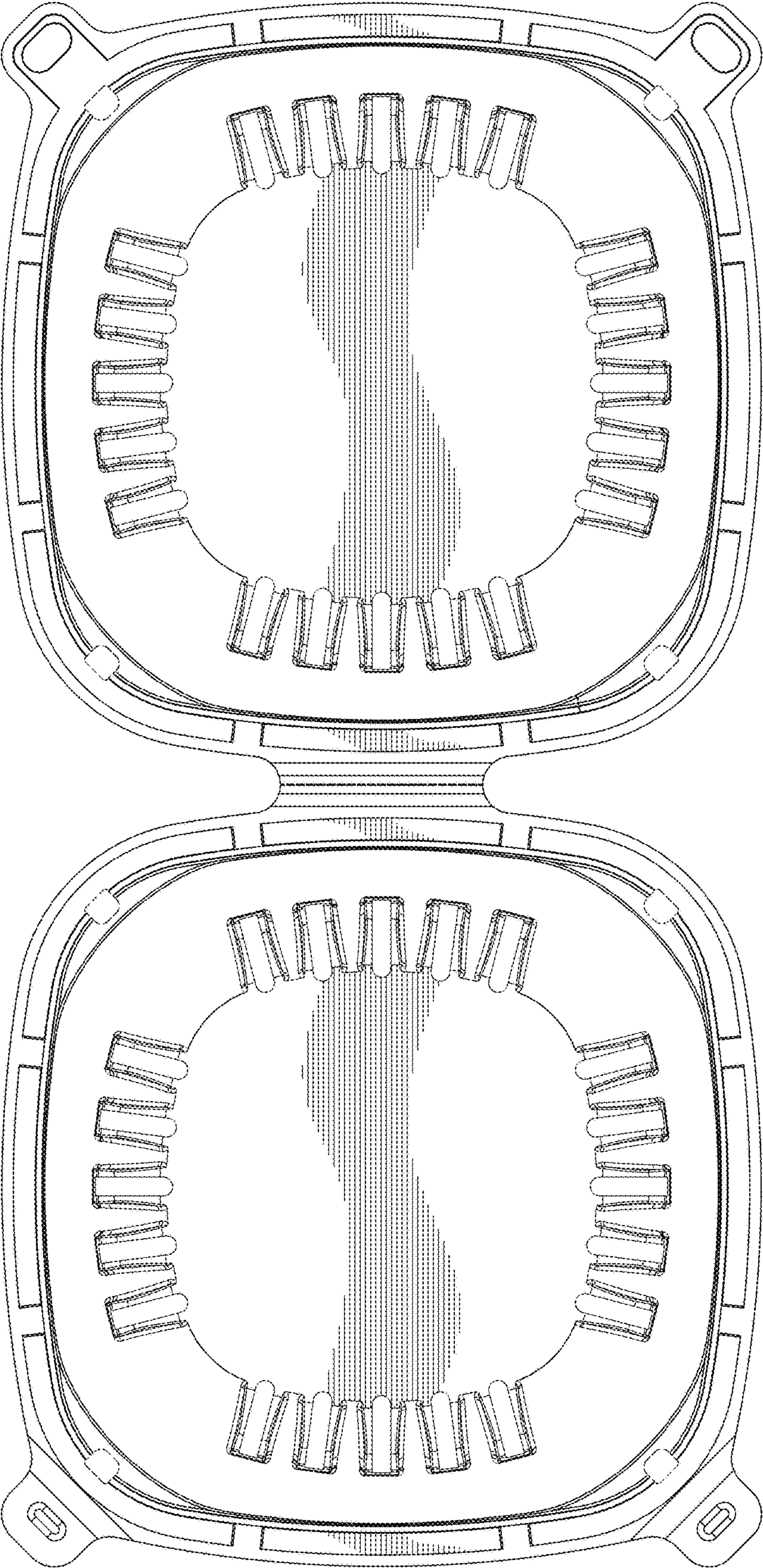
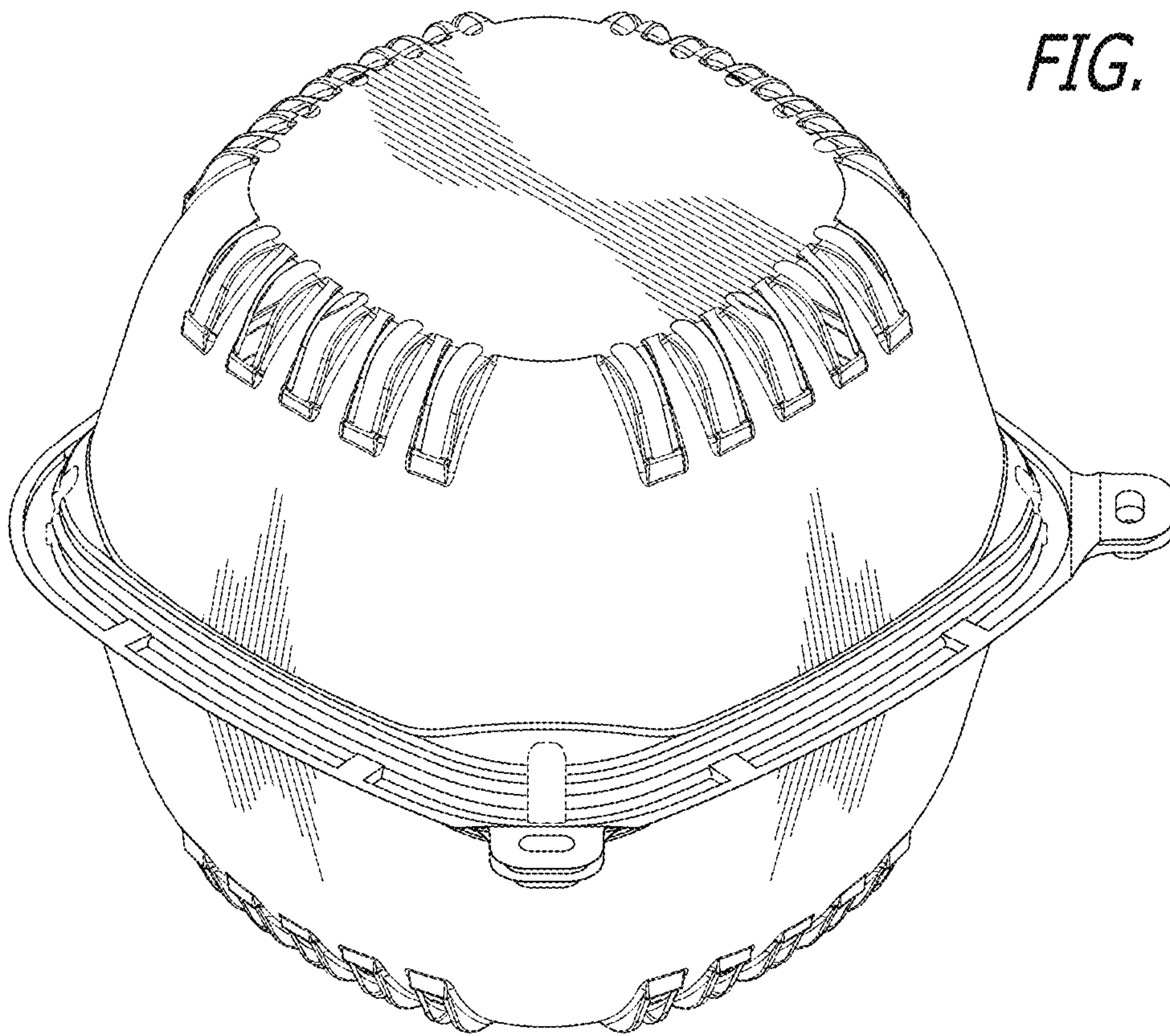
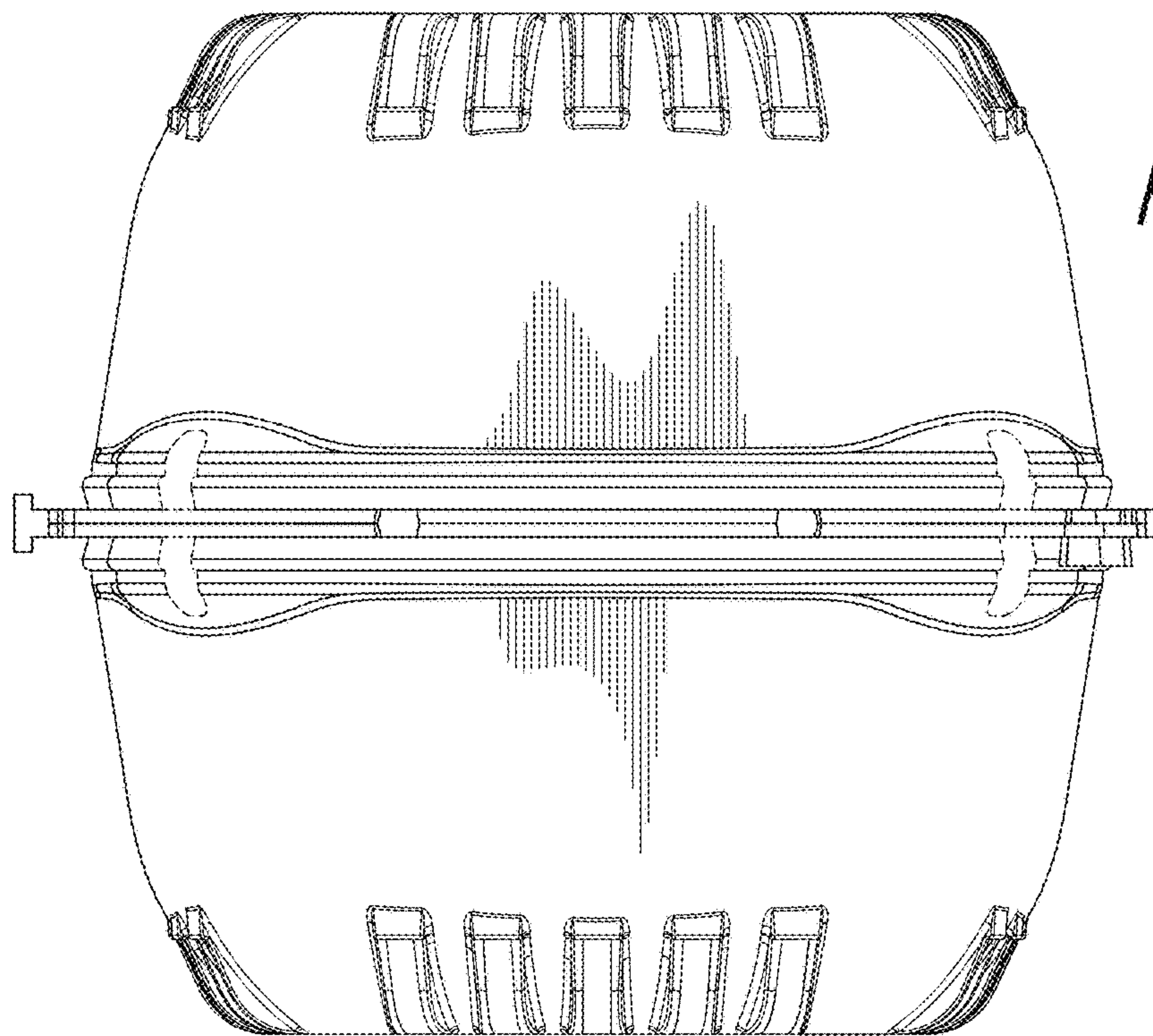


FIG. 8

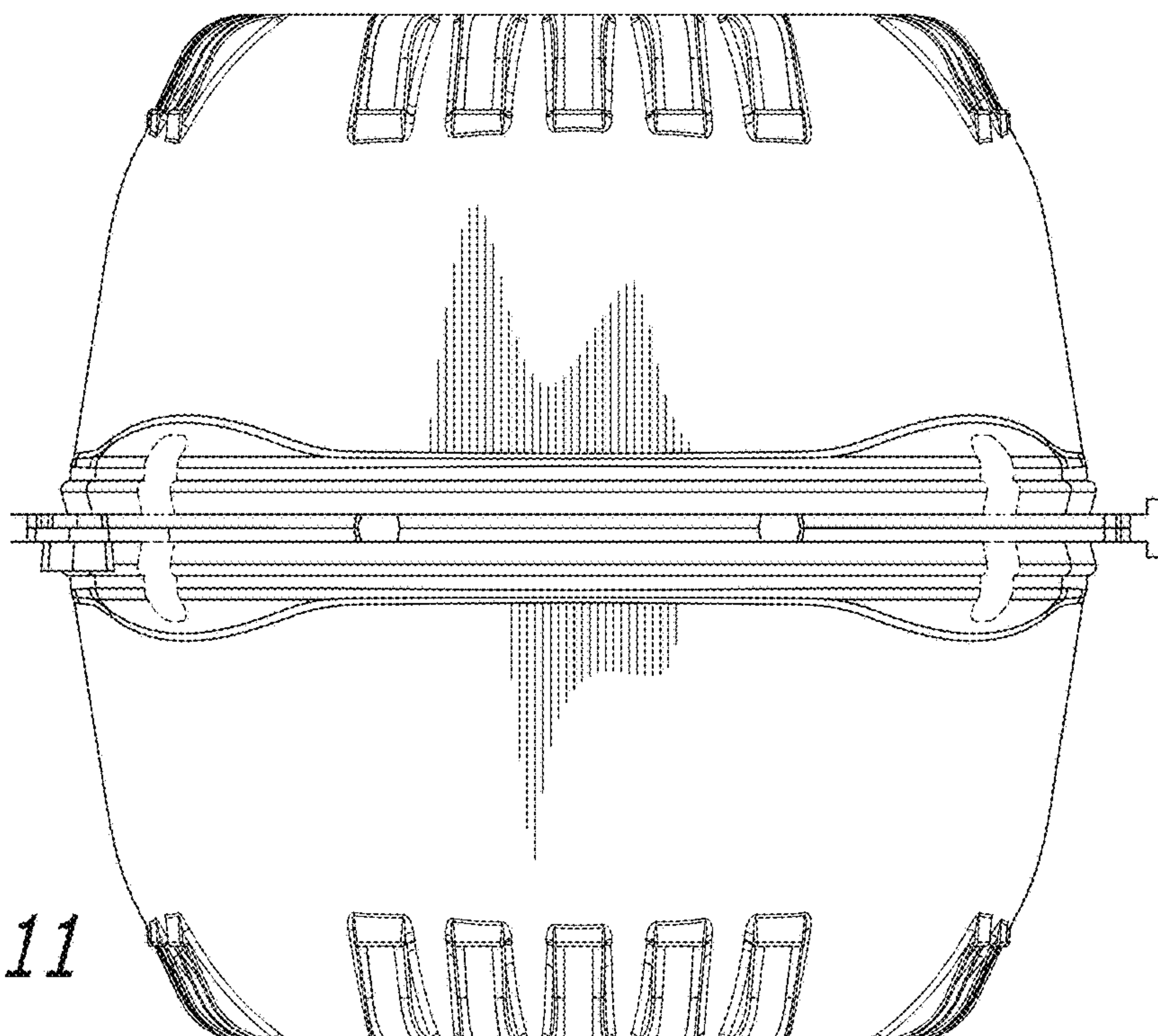


*FIG. 9*

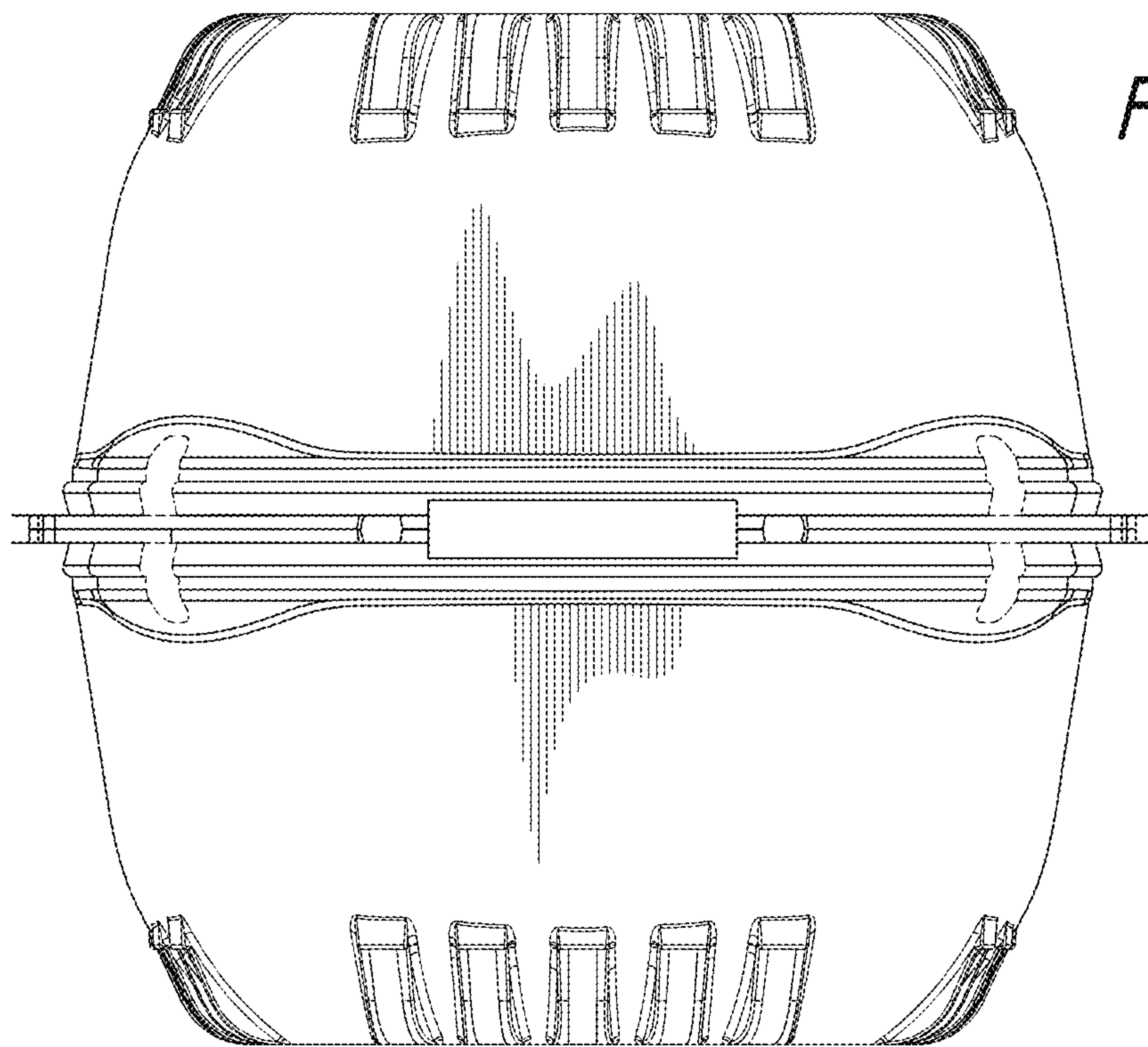




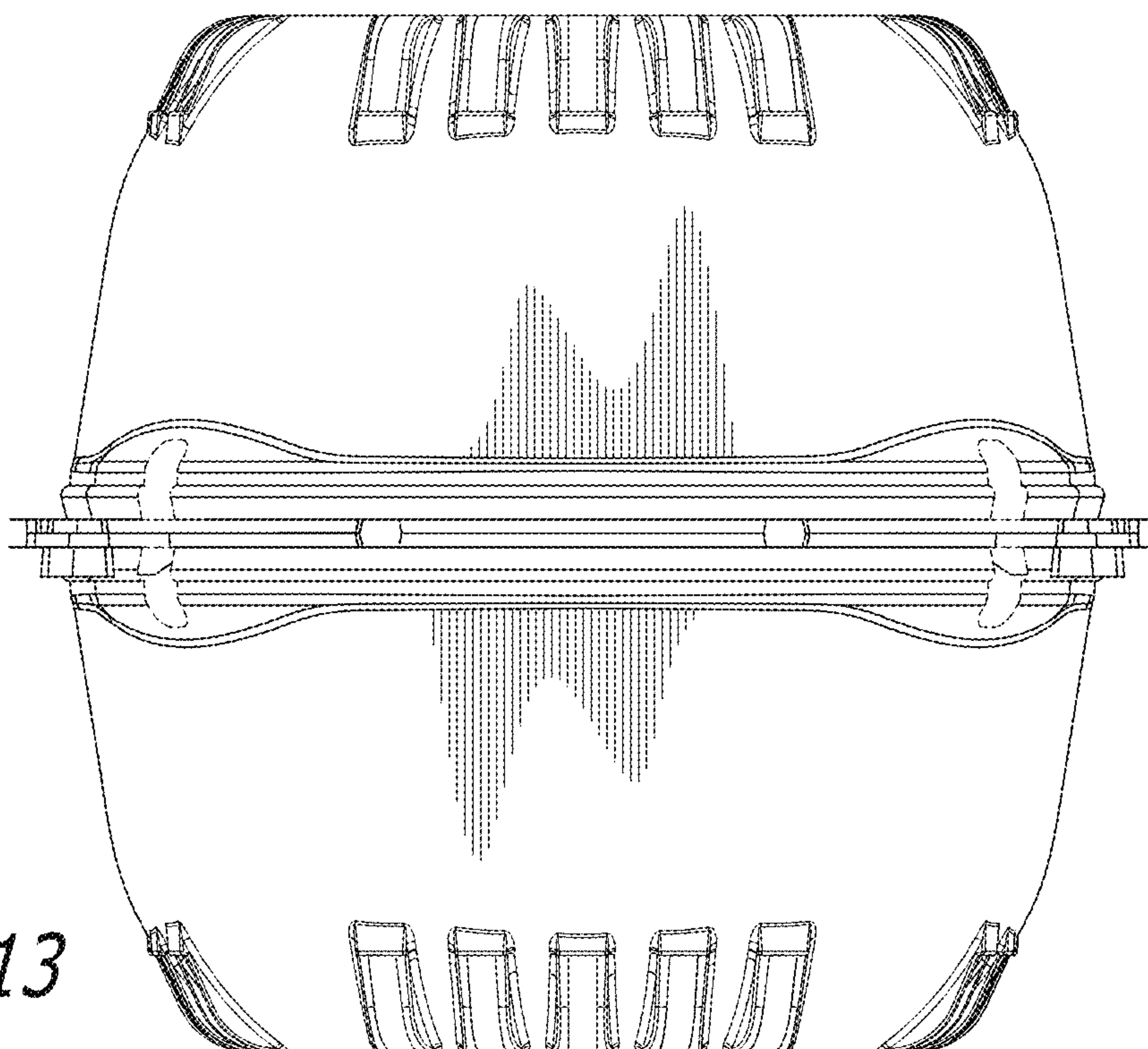
*FIG. 10*



*FIG. 11*



*FIG. 12*



*FIG. 13*



FIG. 14

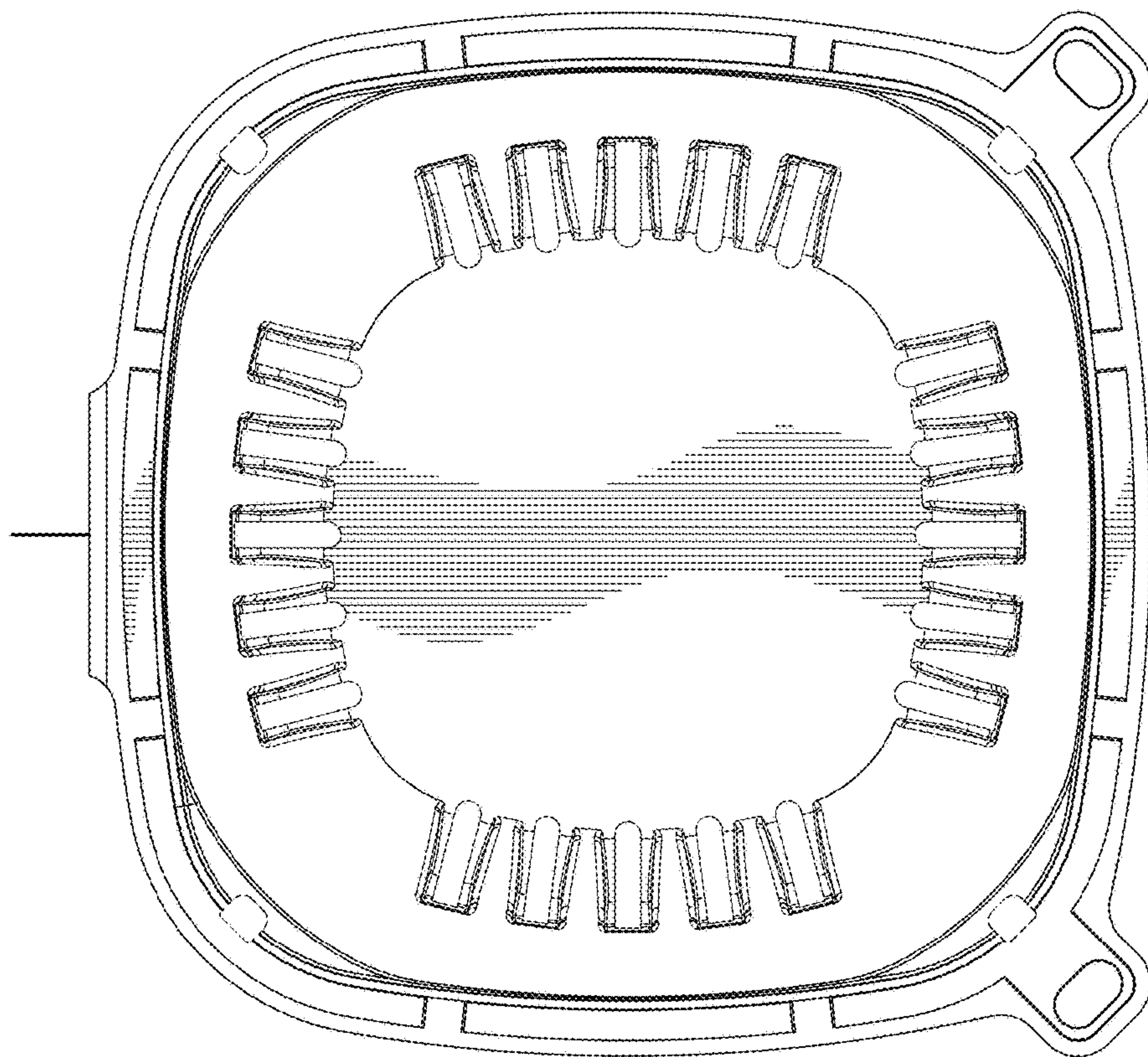
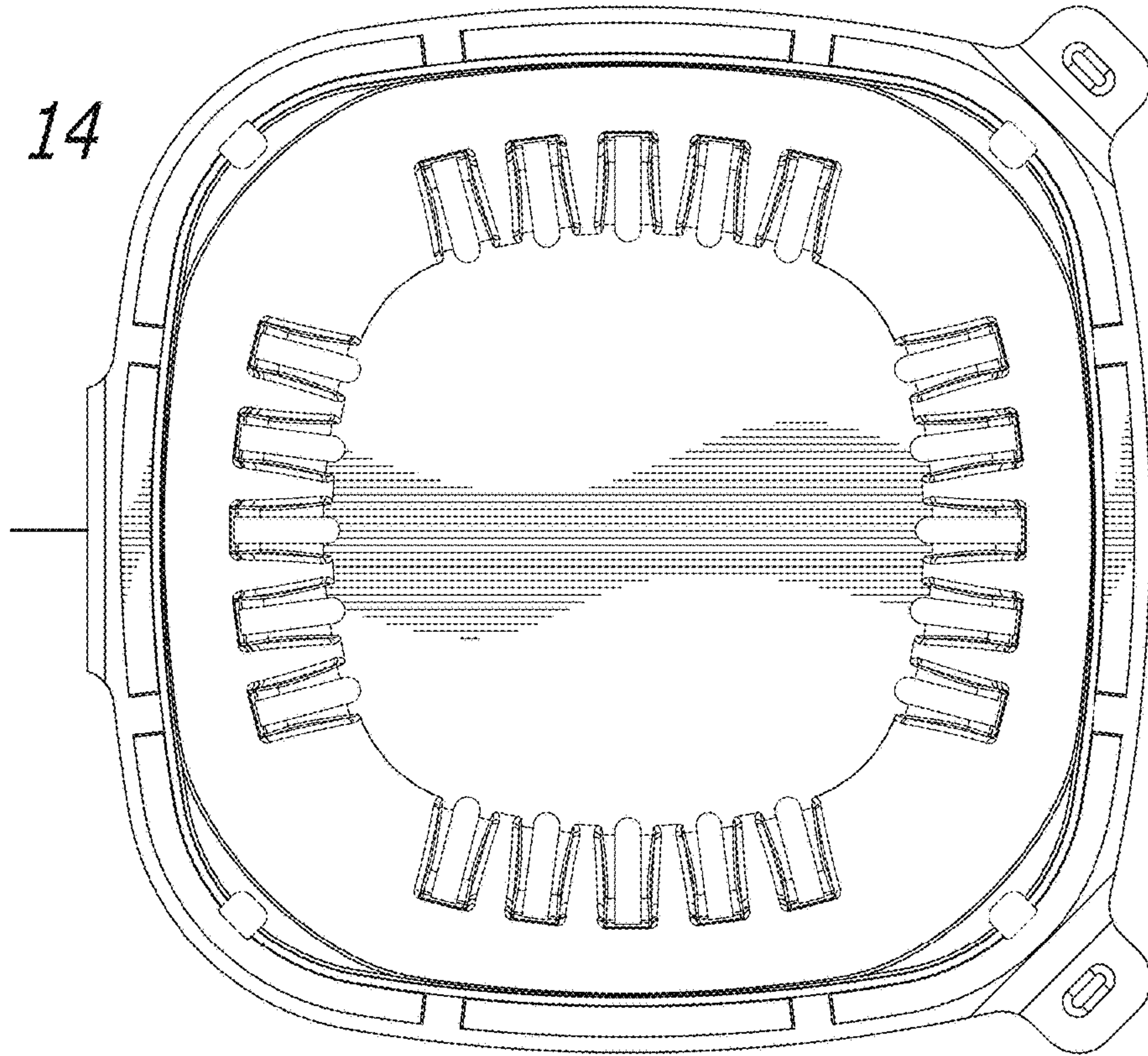


FIG. 15