



US00D798705S

(12) **United States Design Patent** (10) **Patent No.:** **US D798,705 S**
Illingworth (45) **Date of Patent:** **** Oct. 3, 2017**

(54) **UTILITY CONTAINER**

(71) Applicant: **City of Santa Rosa**, Santa Rosa, CA (US)

(72) Inventor: **Michael Robert Illingworth**, Windsor, CA (US)

(73) Assignee: **CITY OF SANTA ROSA**, Santa Rosa, CA (US)

(**) Term: **15 Years**

(21) Appl. No.: **29/565,364**

(22) Filed: **May 19, 2016**

(51) **LOC (10) Cl.** **09-03**

(52) **U.S. Cl.**
USPC **D9/420**

(58) **Field of Classification Search**
USPC D9/414, 417, 420-426, 432; D6/630, D6/634; D3/201, 273; D19/75, 76; 221/309

CPC B65D 1/00; B65D 23/00; B65D 81/00; B65D 85/00; B65D 5/30; B65D 5/38; B65D 5/325; B65D 7/00; B65D 9/00; B65D 11/00; B65D 13/00; B65D 25/00; B65D 55/00

See application file for complete search history.

(56) **References Cited**

U.S. PATENT DOCUMENTS

D288,145 S * 2/1987 Northrup D19/76
D326,356 S * 5/1992 Egly D6/630
D327,980 S * 7/1992 Egly D6/630
D335,574 S * 5/1993 Roskvist D19/76

D347,576 S * 6/1994 Boger 9/420
D387,903 S * 12/1997 Jacoby D3/269
D484,043 S * 12/2003 Hwang D9/415
D658,979 S * 5/2012 Gordon D9/414
D664,425 S * 7/2012 Krupa D9/420
D680,621 S * 4/2013 Foster D23/233

* cited by examiner

Primary Examiner — Wan Laymon

Assistant Examiner — Clint A Samuel

(74) *Attorney, Agent, or Firm* — Edward S. Sherman

(57) **CLAIM**

The ornamental design for a utility container, as shown and described.

DESCRIPTION

FIG. 1 is a perspective view of utility container showing my new design;

FIG. 2 is a perspective view thereof in an open configuration;

FIG. 3 is a front elevation view thereof;

FIG. 4 is a back elevation view thereof;

FIG. 5 is a left side elevation view thereof;

FIG. 6 is a right side elevation view thereof;

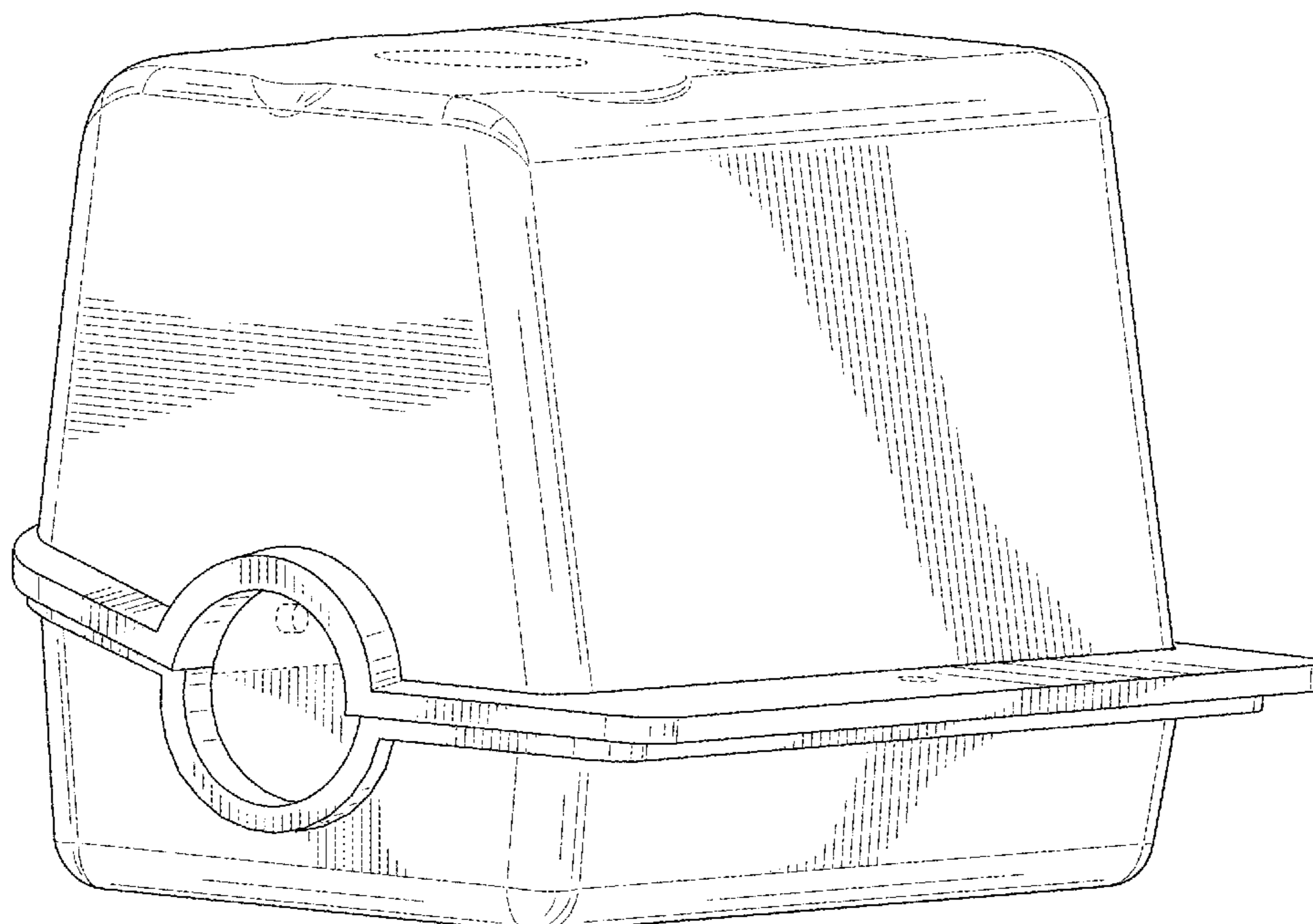
FIG. 7 is a top plan view thereof;

FIG. 8 is a bottom plan view thereof; and,

FIG. 9 is a perspective view showing the cross-section thereof at section line 9-9 in FIG. 7.

The broken line showing in FIGS. 1-2 and 4-9 of the drawings are included for the purpose of illustrating unclaimed portions of the utility container and forms no part of the claimed design.

1 Claim, 9 Drawing Sheets



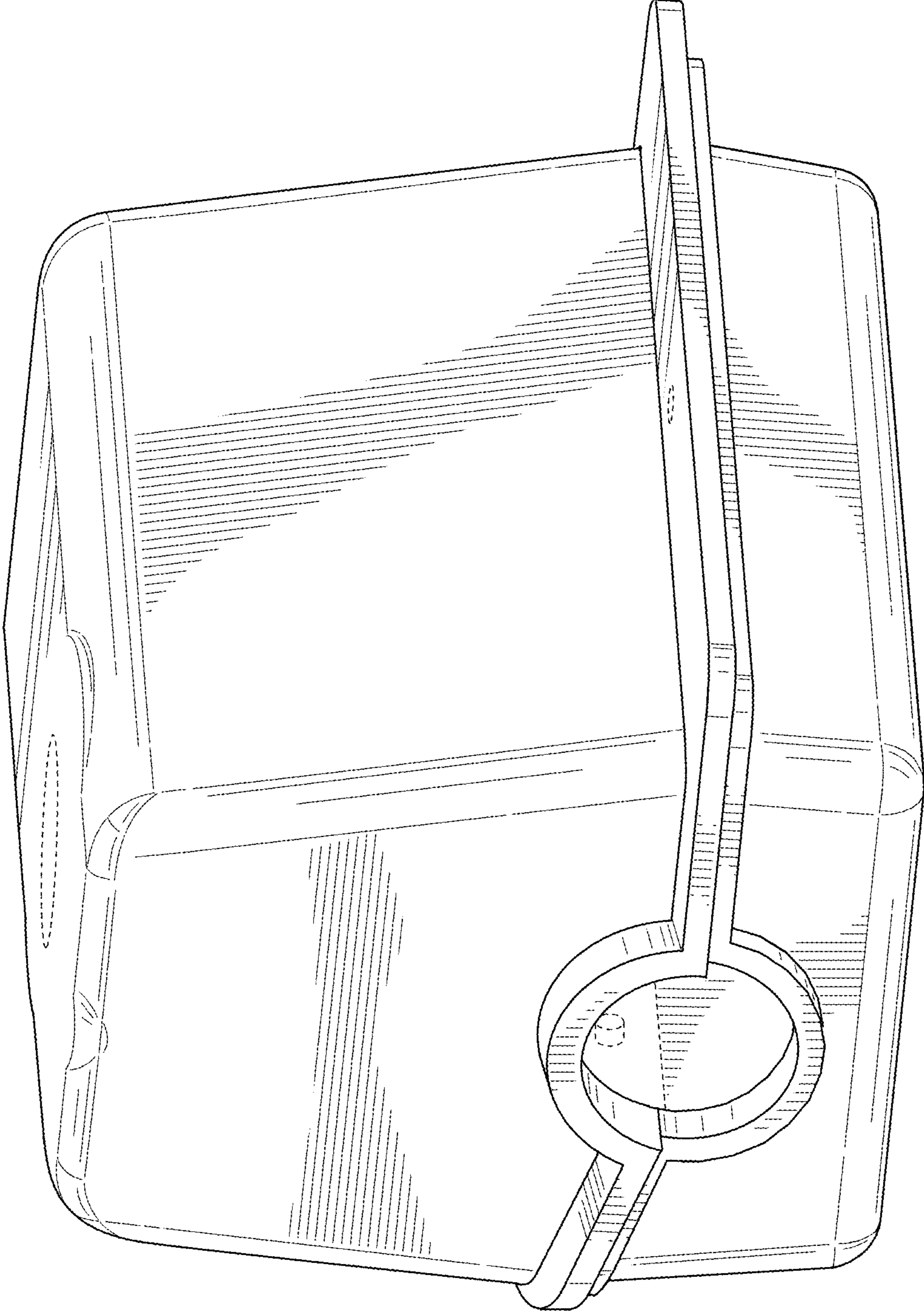


FIG. 1

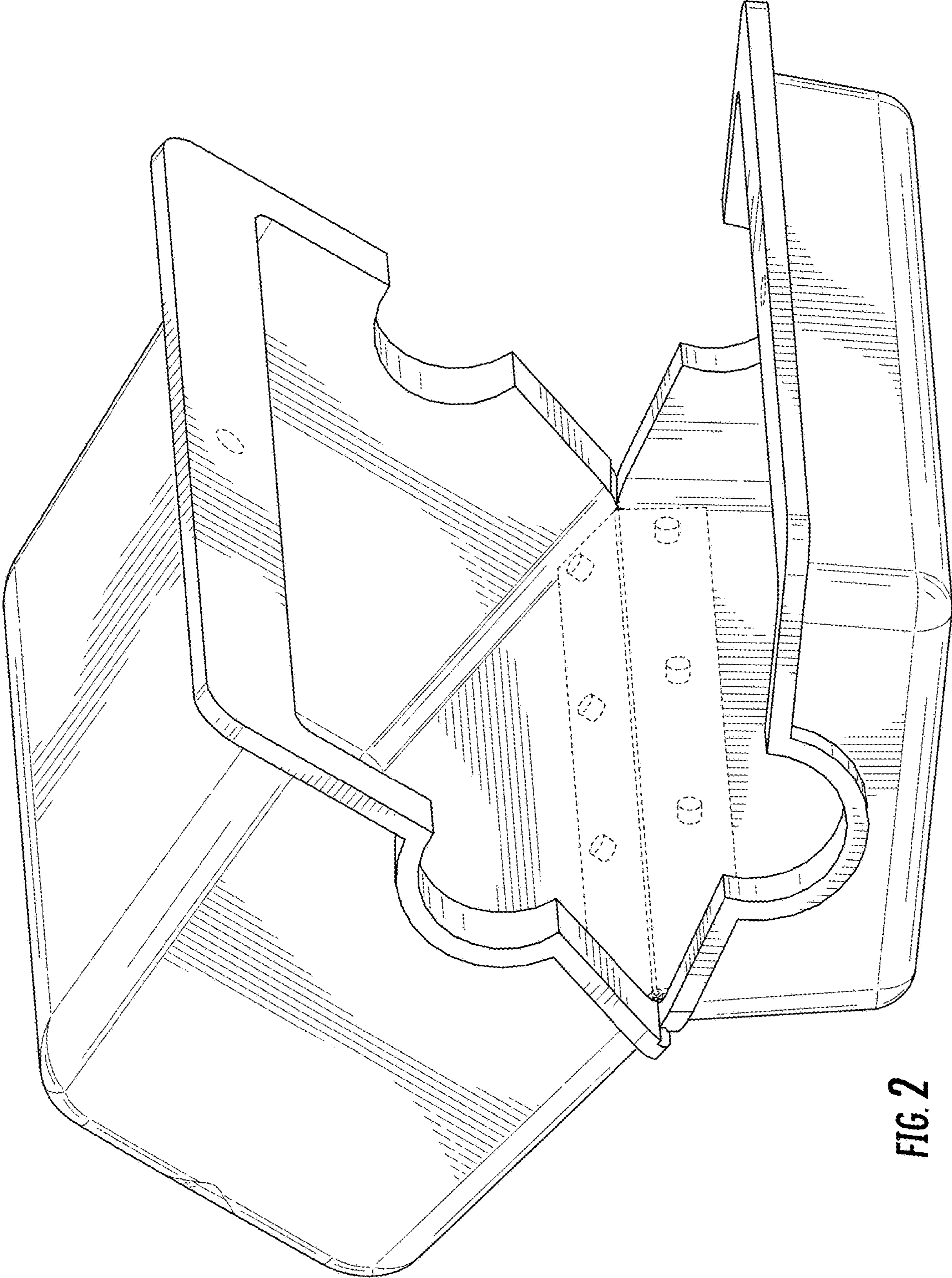


FIG. 2



FIG. 3

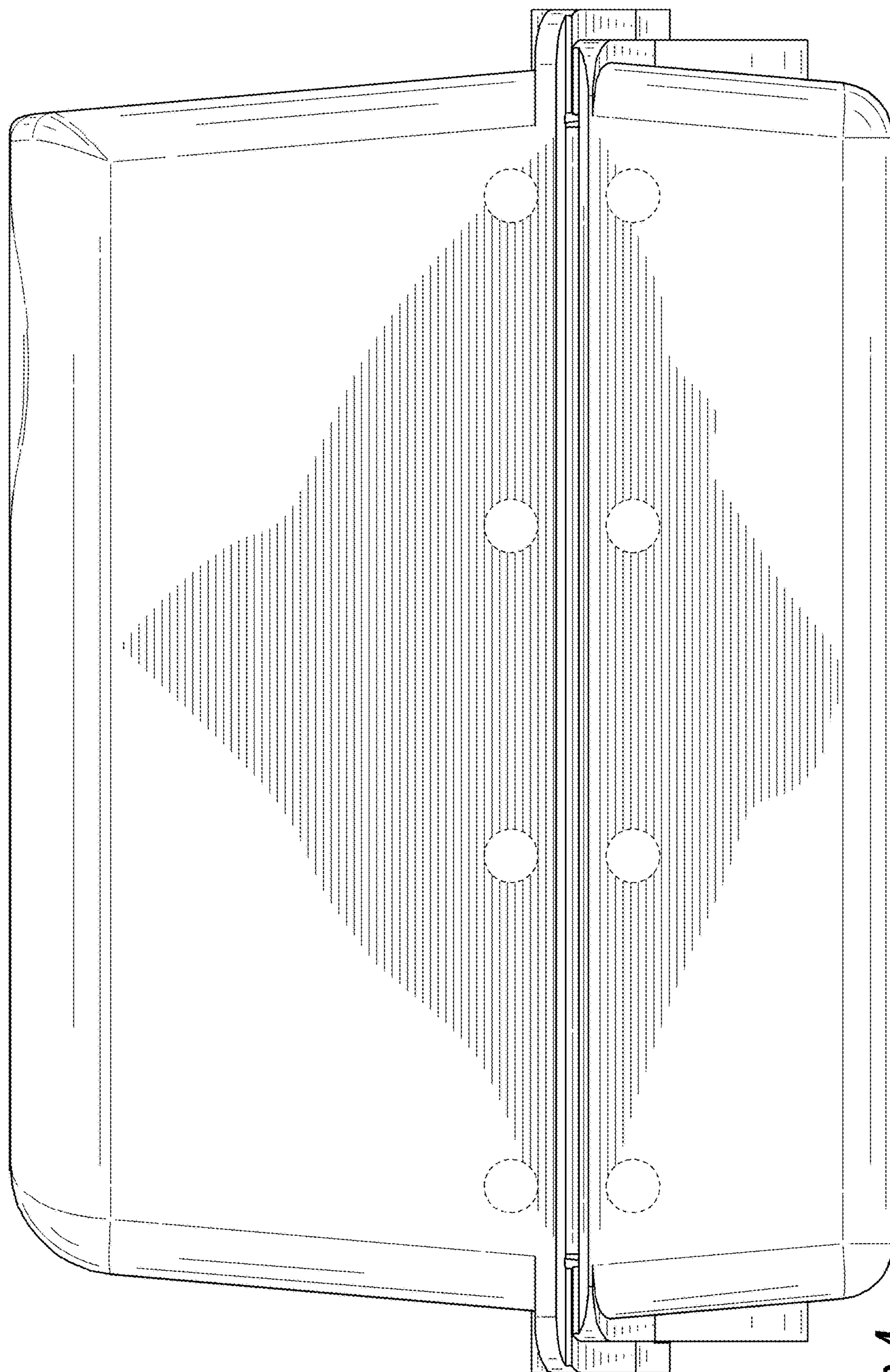


FIG. 4

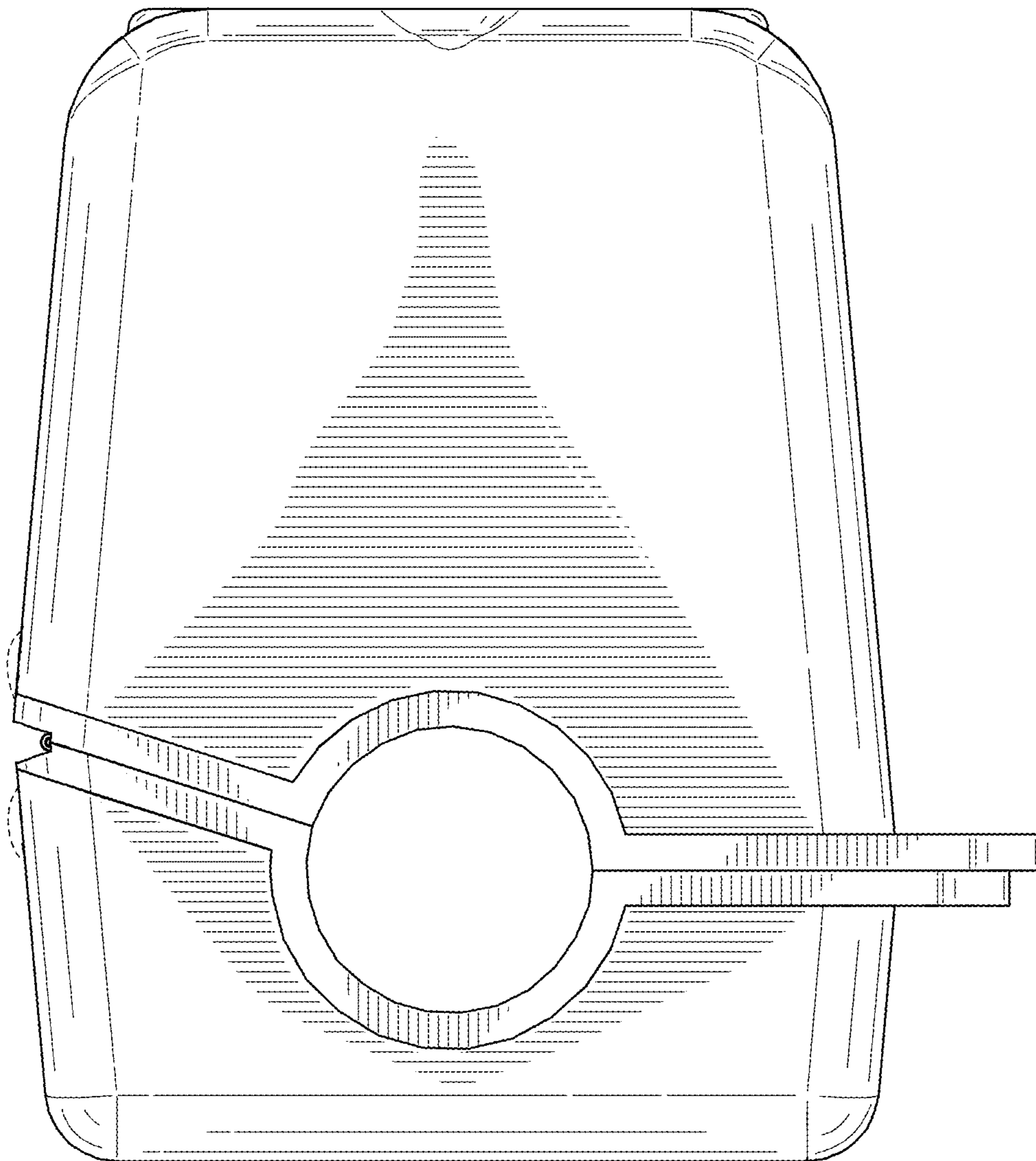


FIG. 5

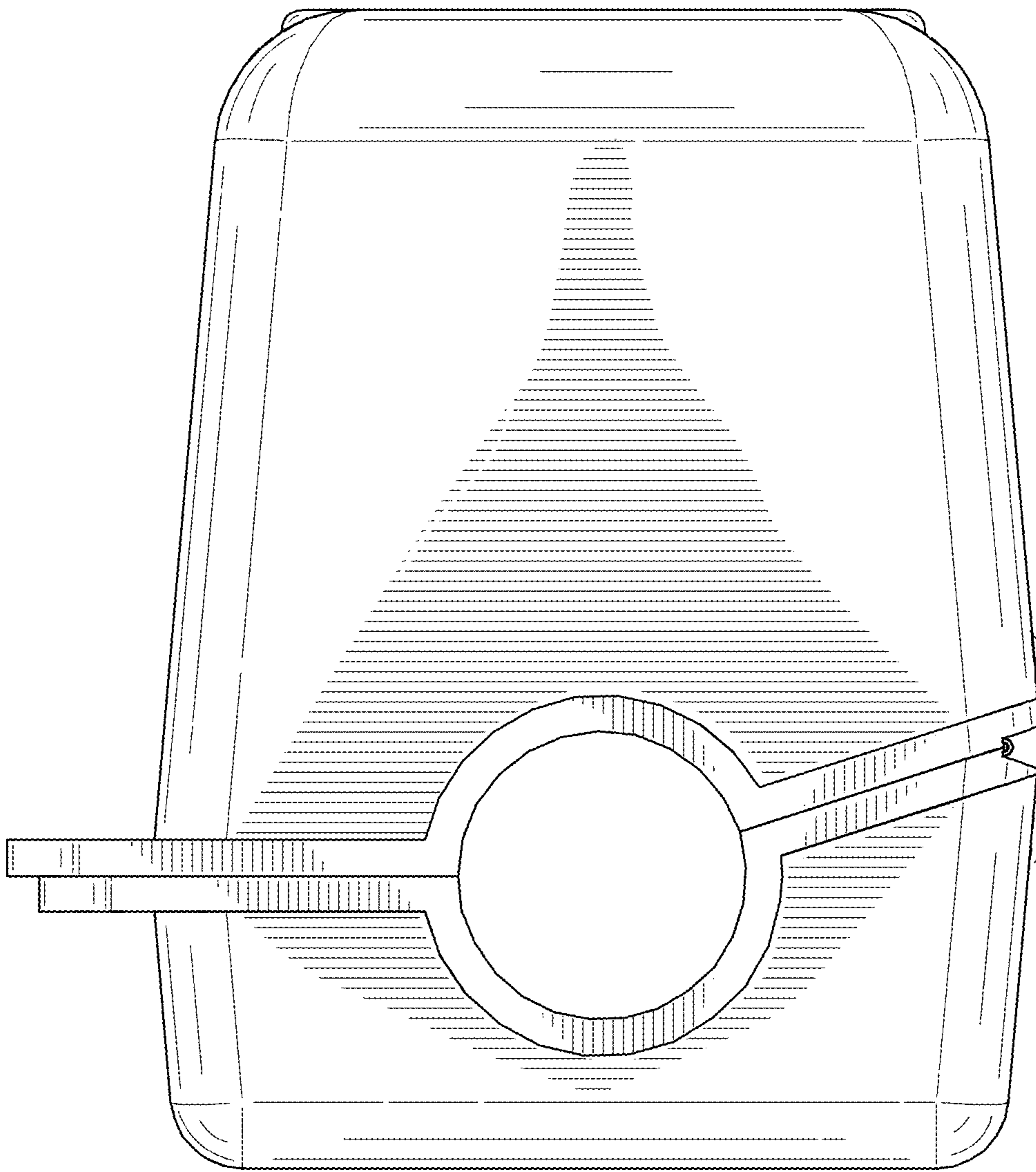


FIG. 6

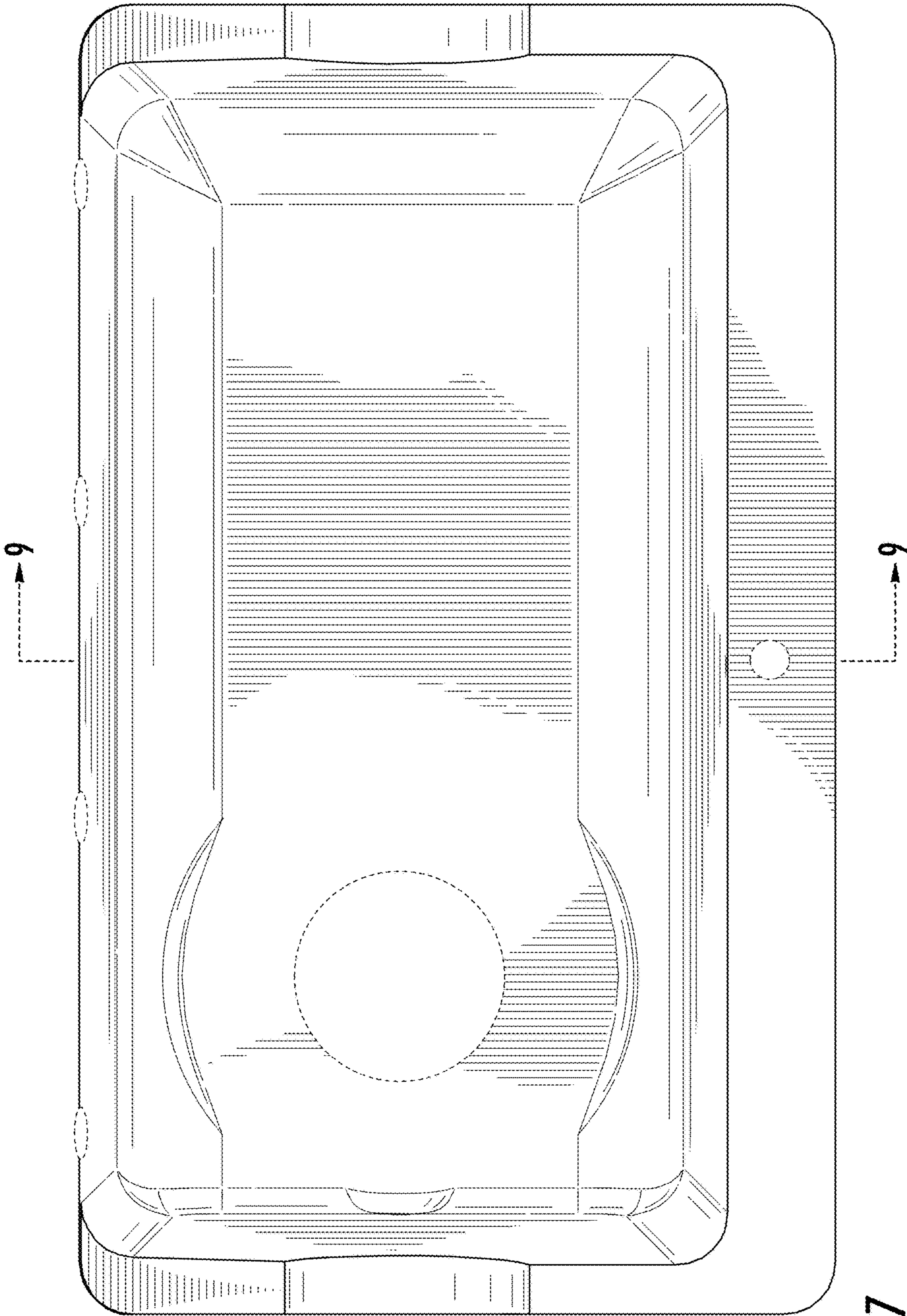


FIG. 7

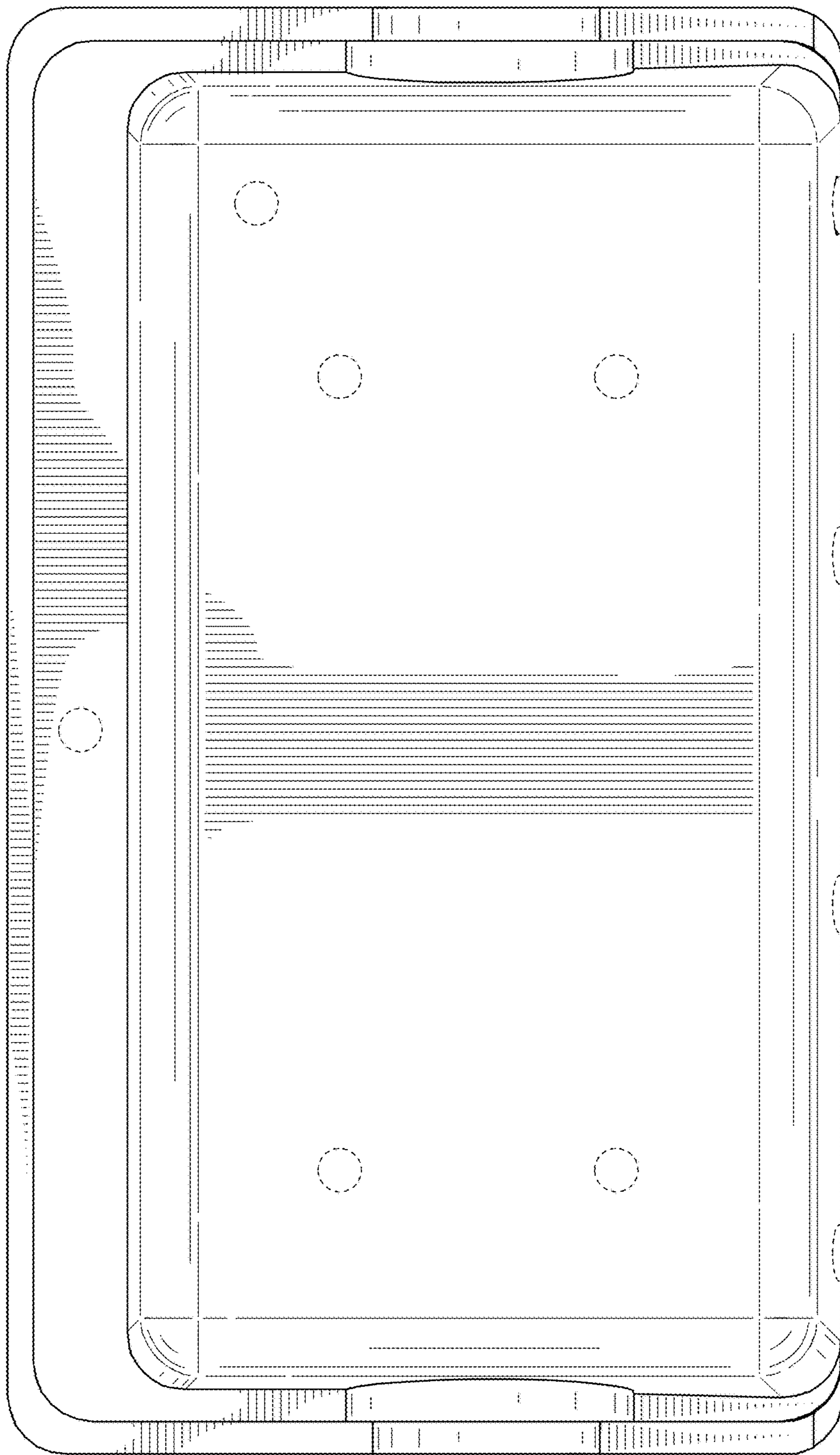


FIG. 8

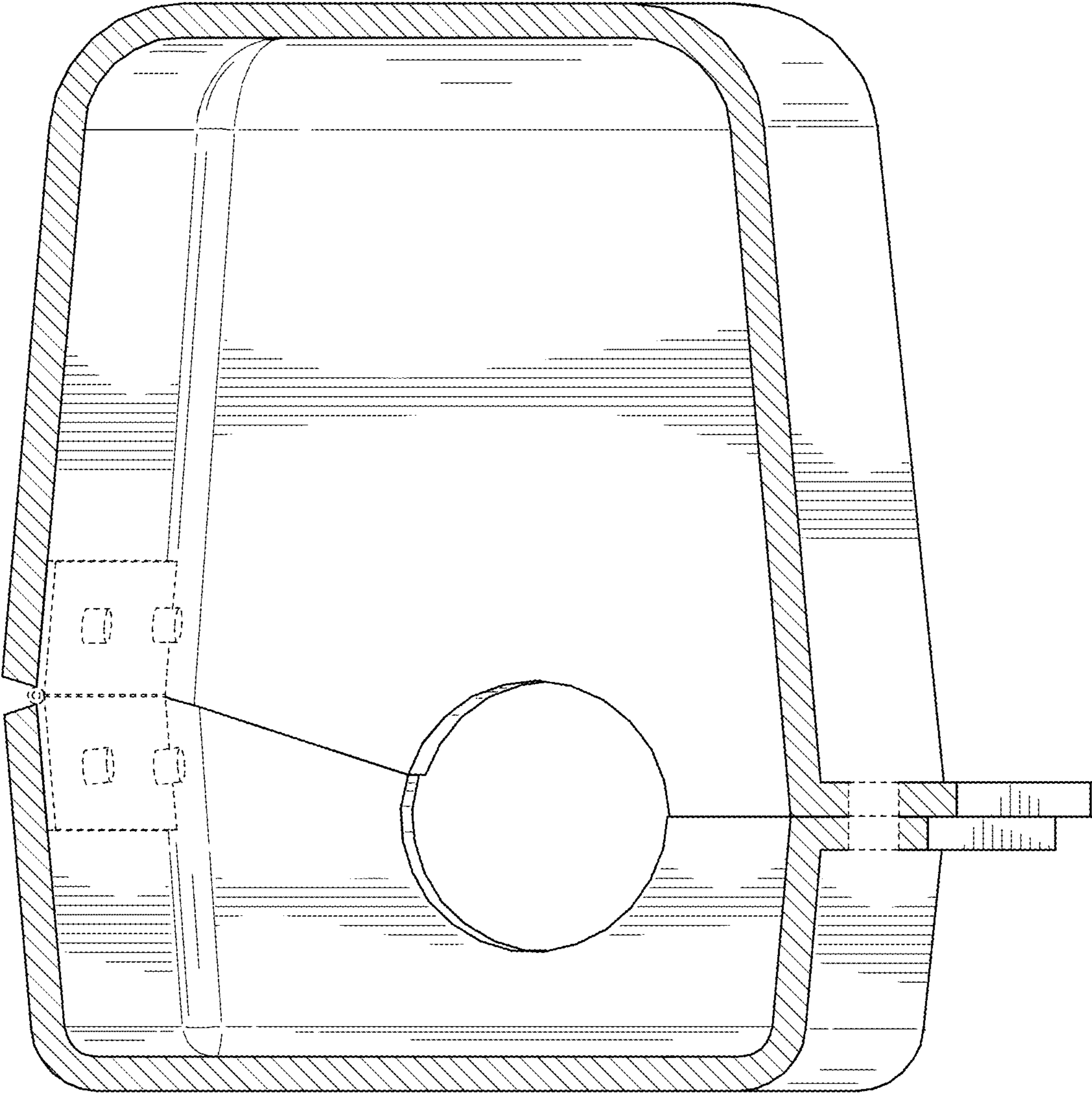


FIG. 9