



US00D798700S

(12) **United States Design Patent** (10) **Patent No.:** **US D798,700 S**
Byerly et al. (45) **Date of Patent:** **** Oct. 3, 2017**

(54) **HOSE SUPPORT BRACKET**
(71) Applicant: **Nordson Corporation**, Westlake, OH (US)
(72) Inventors: **David J. Byerly**, Lawrenceville, GA (US); **Justin A. Clark**, Suwanee, GA (US); **Duane J. Fisher**, Cumming, GA (US)
(73) Assignee: **Nordson Corporation**, Westlake, OH (US)

D576,870 S * 9/2008 Eason D8/396
D632,555 S * 2/2011 Sarkissian D8/396
D700,835 S * 3/2014 Langlois D8/396
D711,730 S * 8/2014 McKiernan D8/396
D735,025 S * 7/2015 Mathien D8/396
D742,213 S * 11/2015 Sasanecki D8/396
D758,177 S * 6/2016 Riccione D8/396
D761,100 S * 7/2016 Divers D8/396
D761,101 S * 7/2016 Seo D8/396
D766,711 S * 9/2016 Babbage D8/394
D775,519 S * 1/2017 May D8/396

* cited by examiner

(**) Term: **15 Years**

Primary Examiner — Cynthia Ramirez

Assistant Examiner — Michael Maharajh

(21) Appl. No.: **29/536,433**

(74) *Attorney, Agent, or Firm* — Baker & Hostetler LLP

(22) Filed: **Aug. 17, 2015**

(57) **CLAIM**

(51) **LOC (10) Cl.** **08-08**

The ornamental design for a hose support bracket, as shown and described.

(52) **U.S. Cl.**

USPC **D8/396**

DESCRIPTION

(58) **Field of Classification Search**

USPC D8/396, 349, 394, 395; 248/689, 690, 248/79, 75, 90.91, 121, 122.1, 125.1, 200, 248/228.6, 309.1, 313, 316.1, 500, 510
CPC A61M 2209/082; F16L 3/00; F16L 3/01; F16L 3/1226
See application file for complete search history.

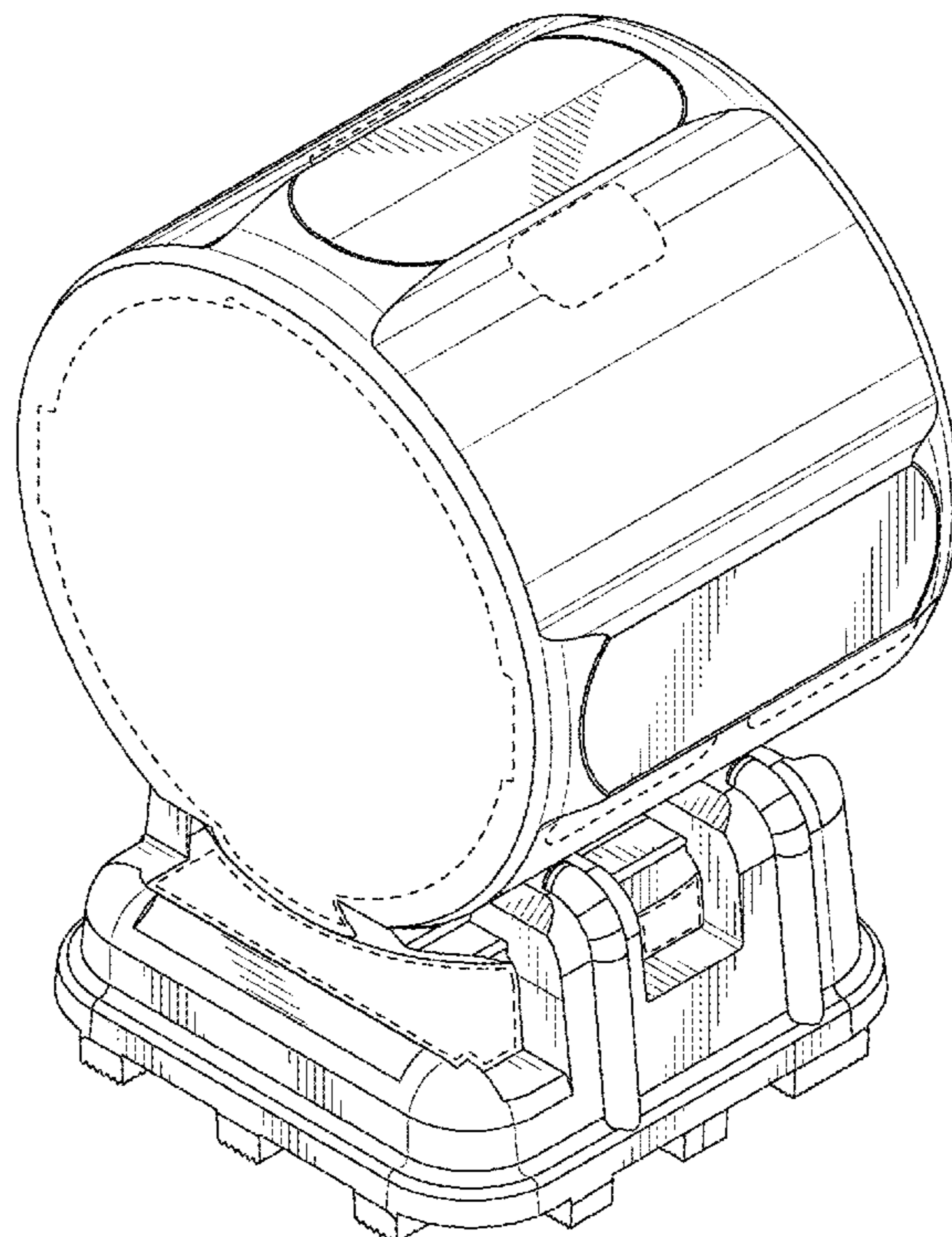
FIG. 1 is a front isometric view of the hose support bracket. FIG. 2 is a rear isometric view of the hose support bracket. FIG. 3 is a front view of the hose support bracket. FIG. 4 is a right side view of the hose support bracket. FIG. 5 is a rear view of the hose support bracket. FIG. 6 is a top view of the hose support bracket; and, FIG. 7 is a bottom view of the hose support bracket. The dash-dash broken lines in the figures are for the purpose of illustrating portions of the hose support bracket and form no part of the claimed design.

(56) **References Cited**

U.S. PATENT DOCUMENTS

D473,129 S * 4/2003 Warner D8/396
D574,228 S * 8/2008 Johansson D8/396

1 Claim, 7 Drawing Sheets



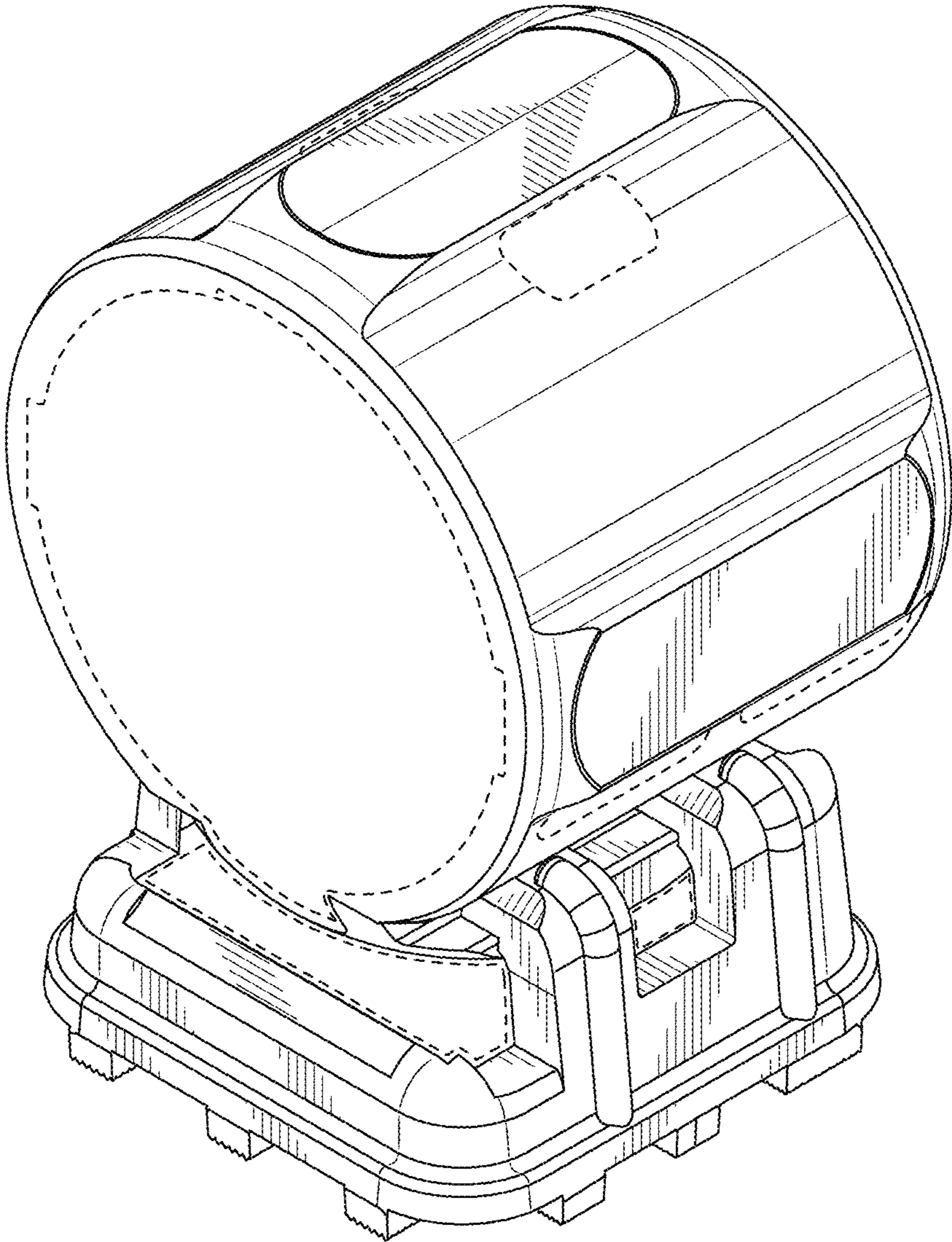


FIG. 1

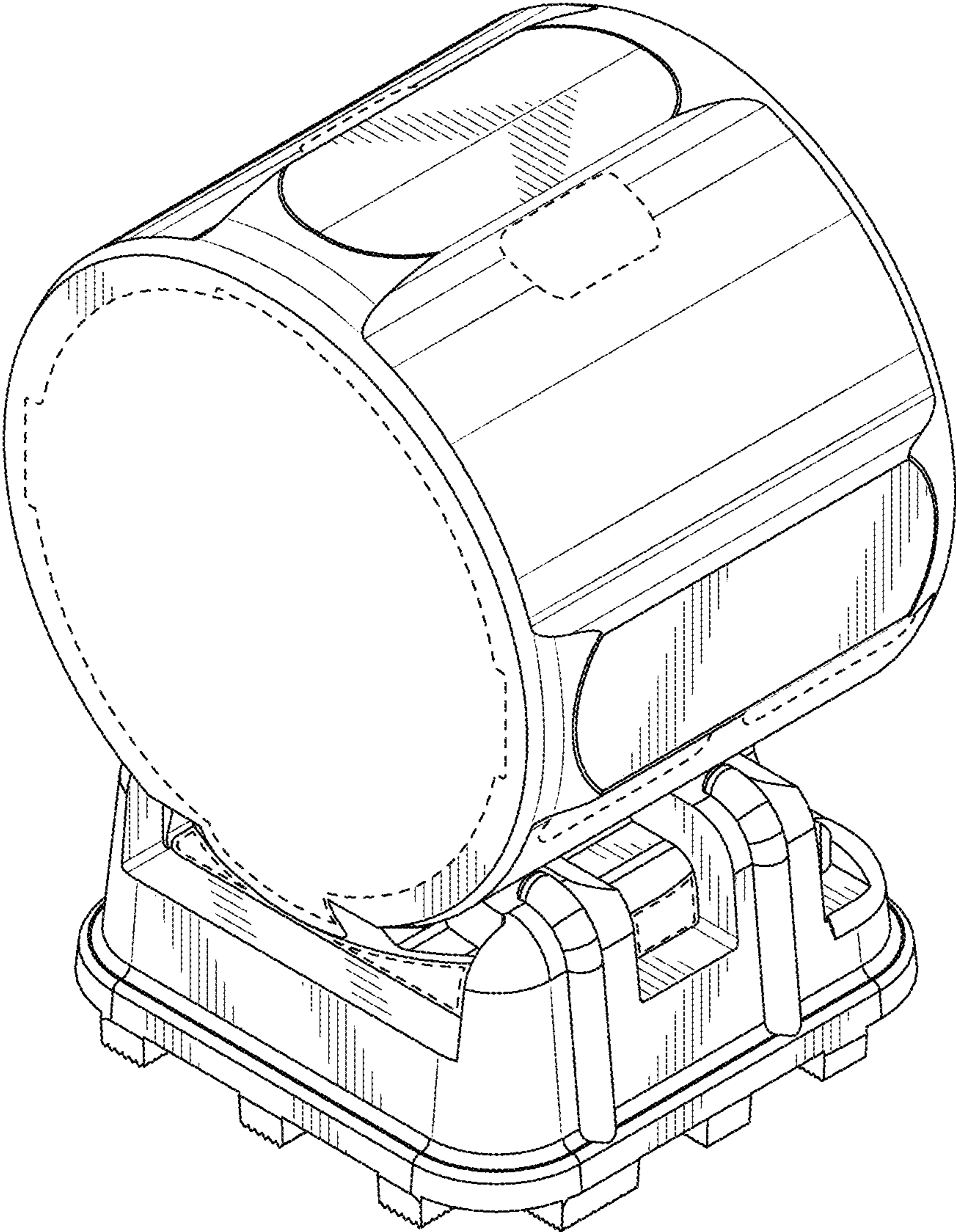


FIG. 2

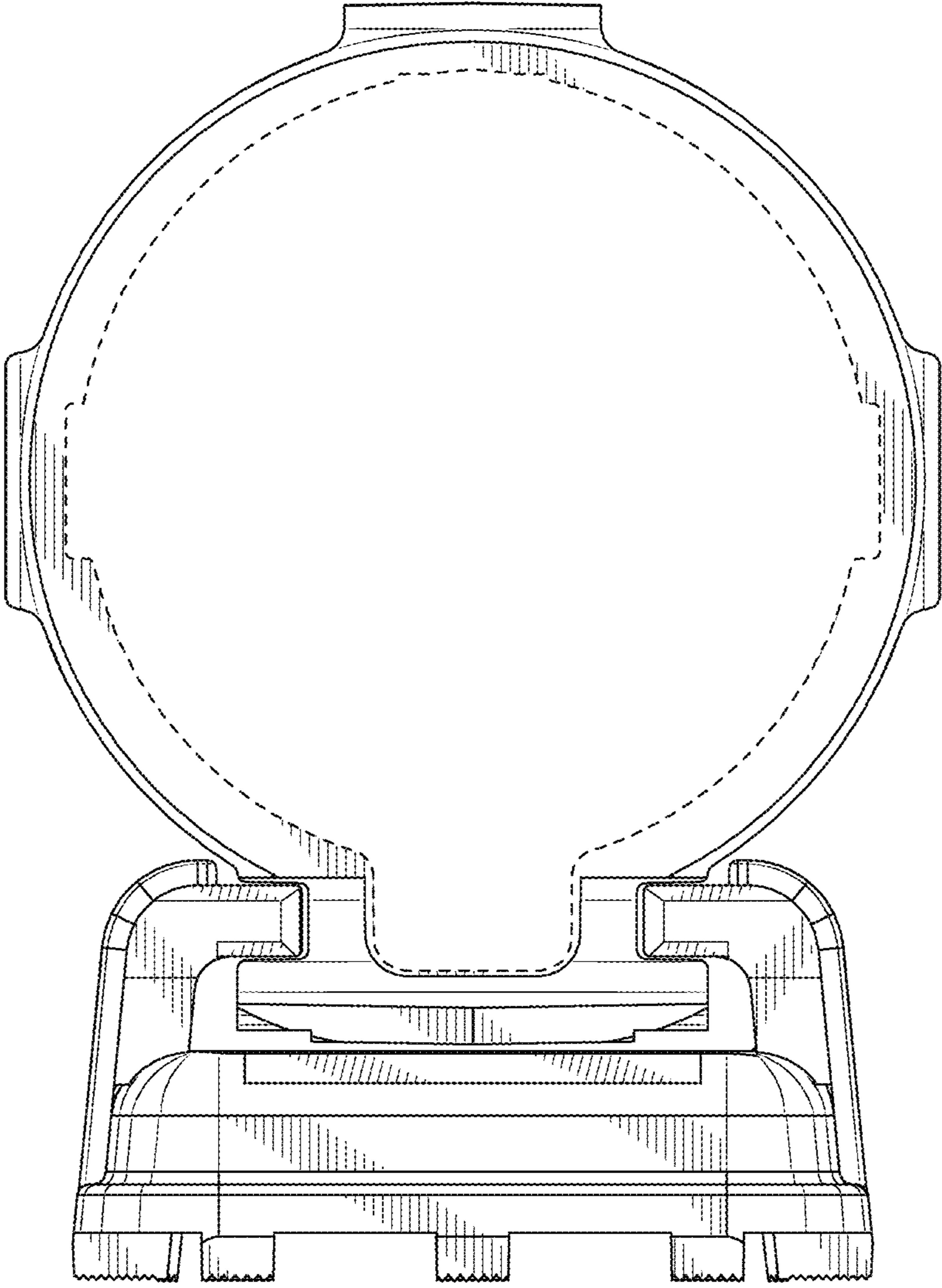


FIG. 3

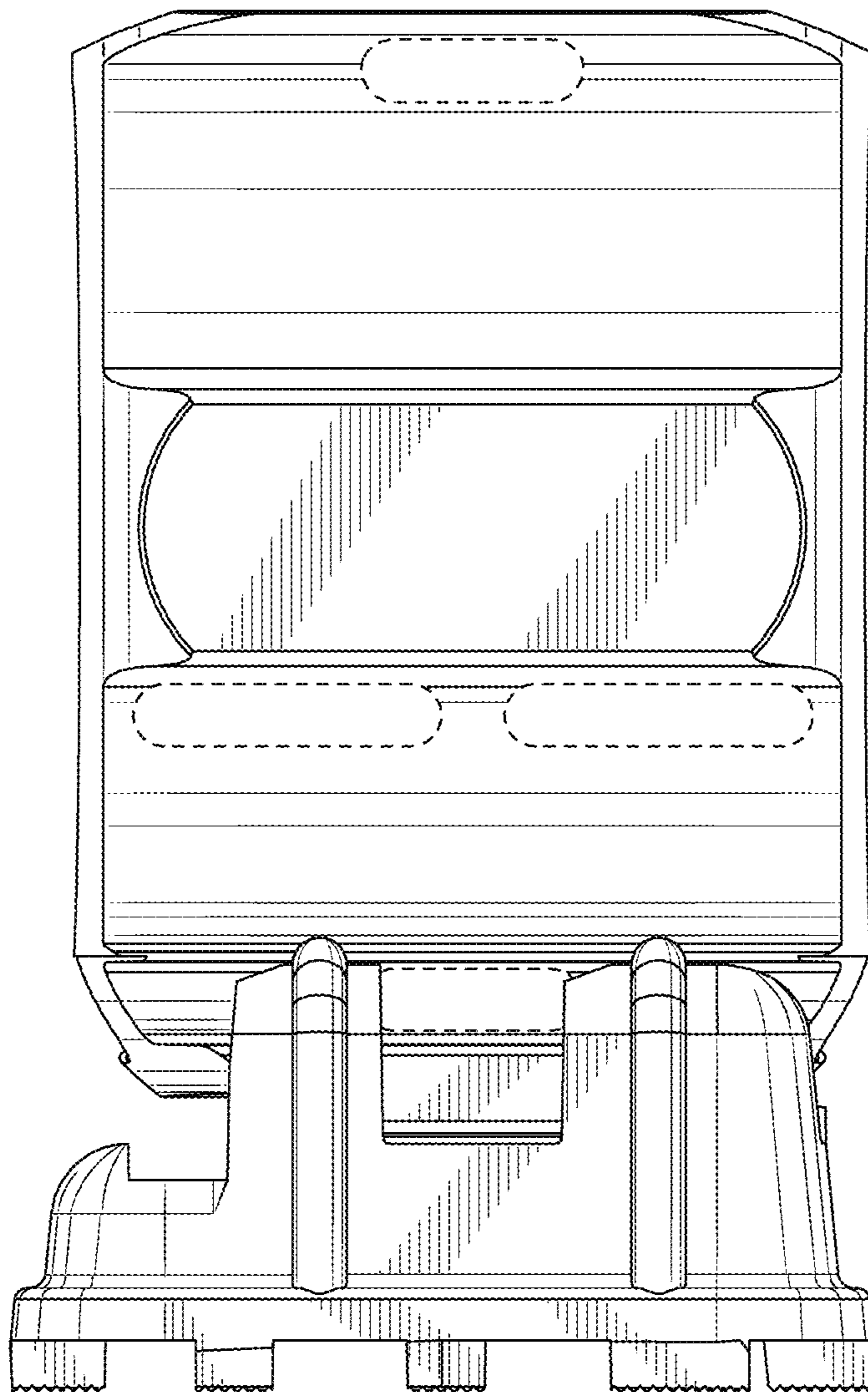


FIG. 4

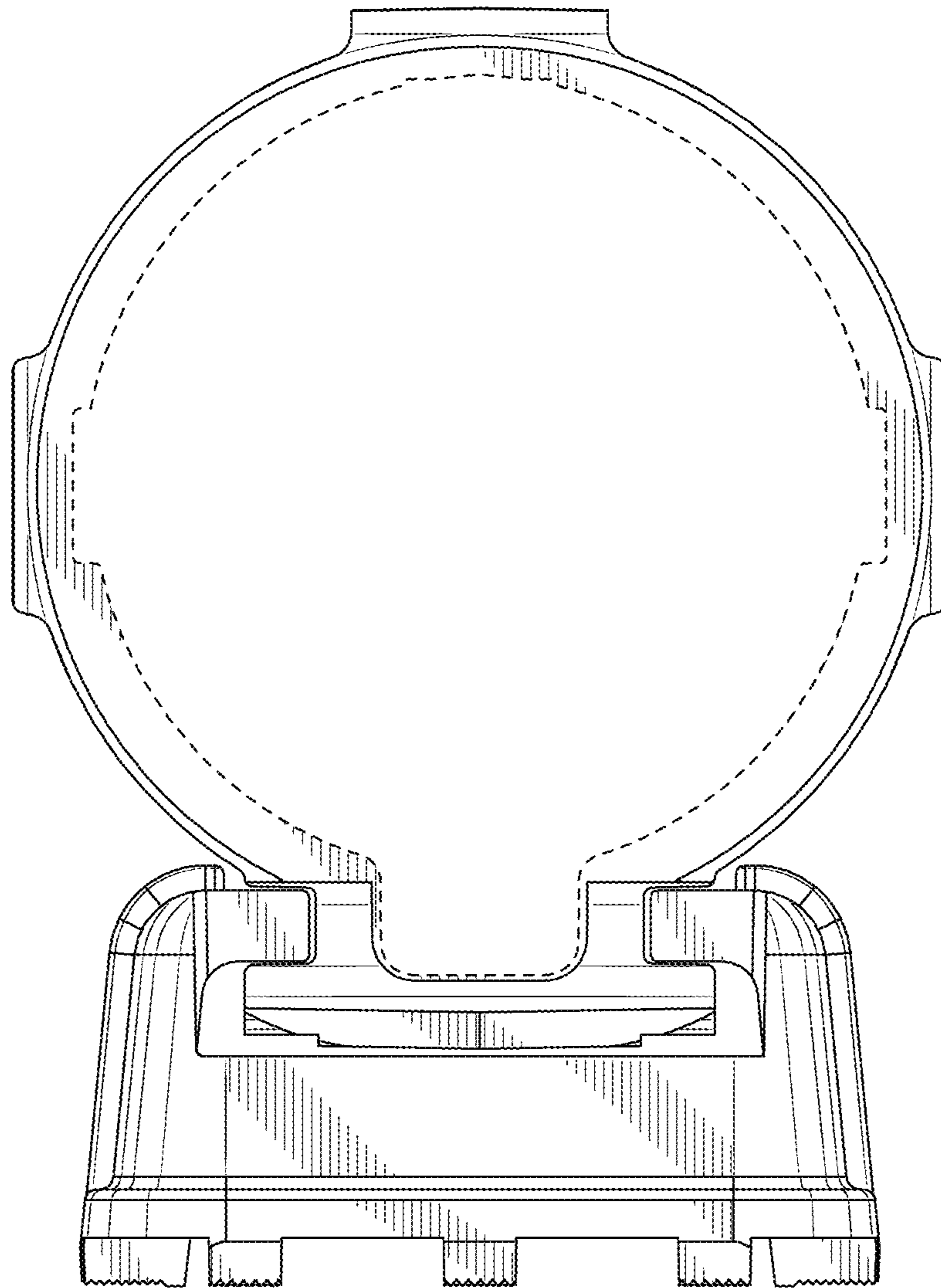


FIG. 5

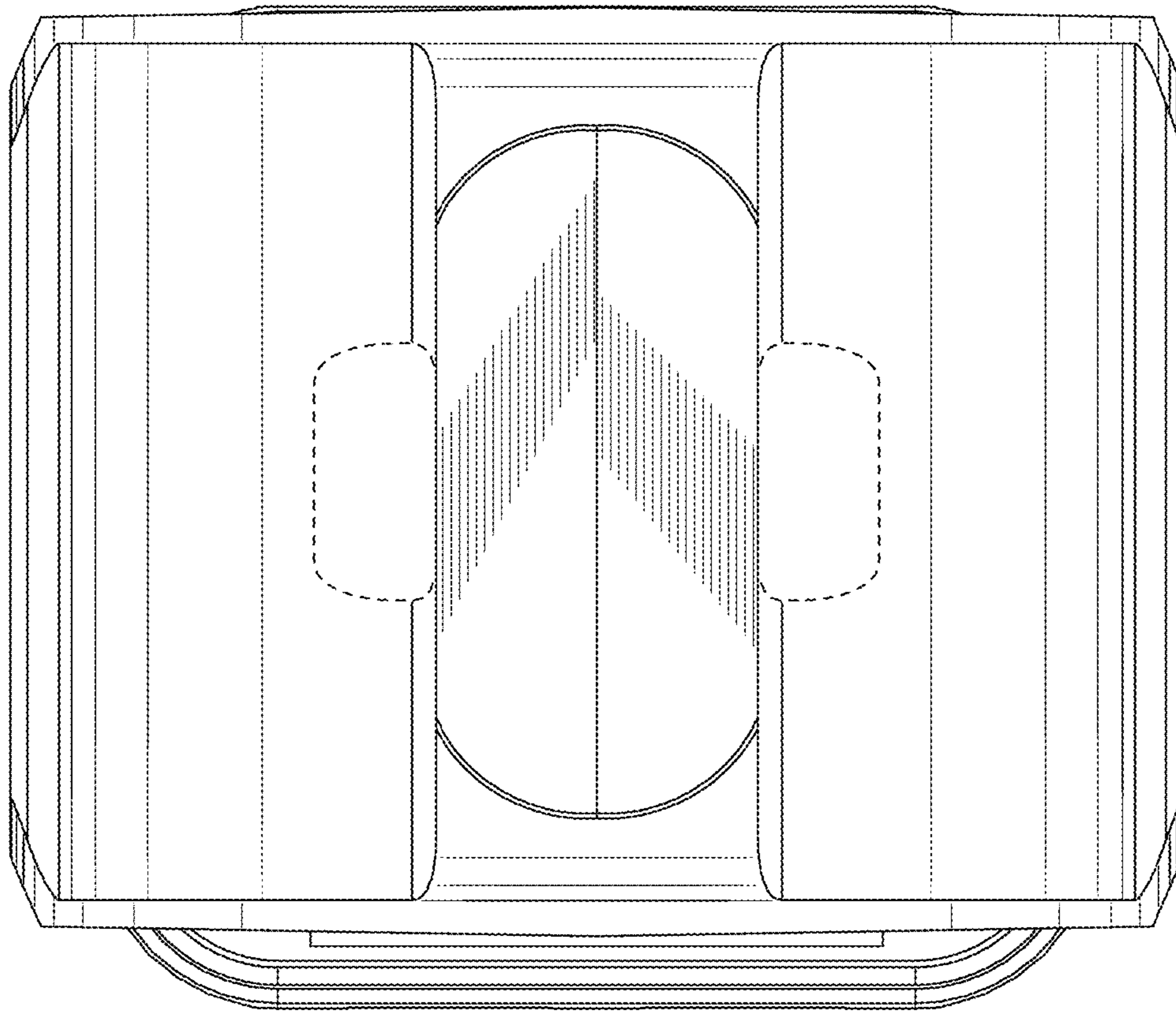


FIG. 6

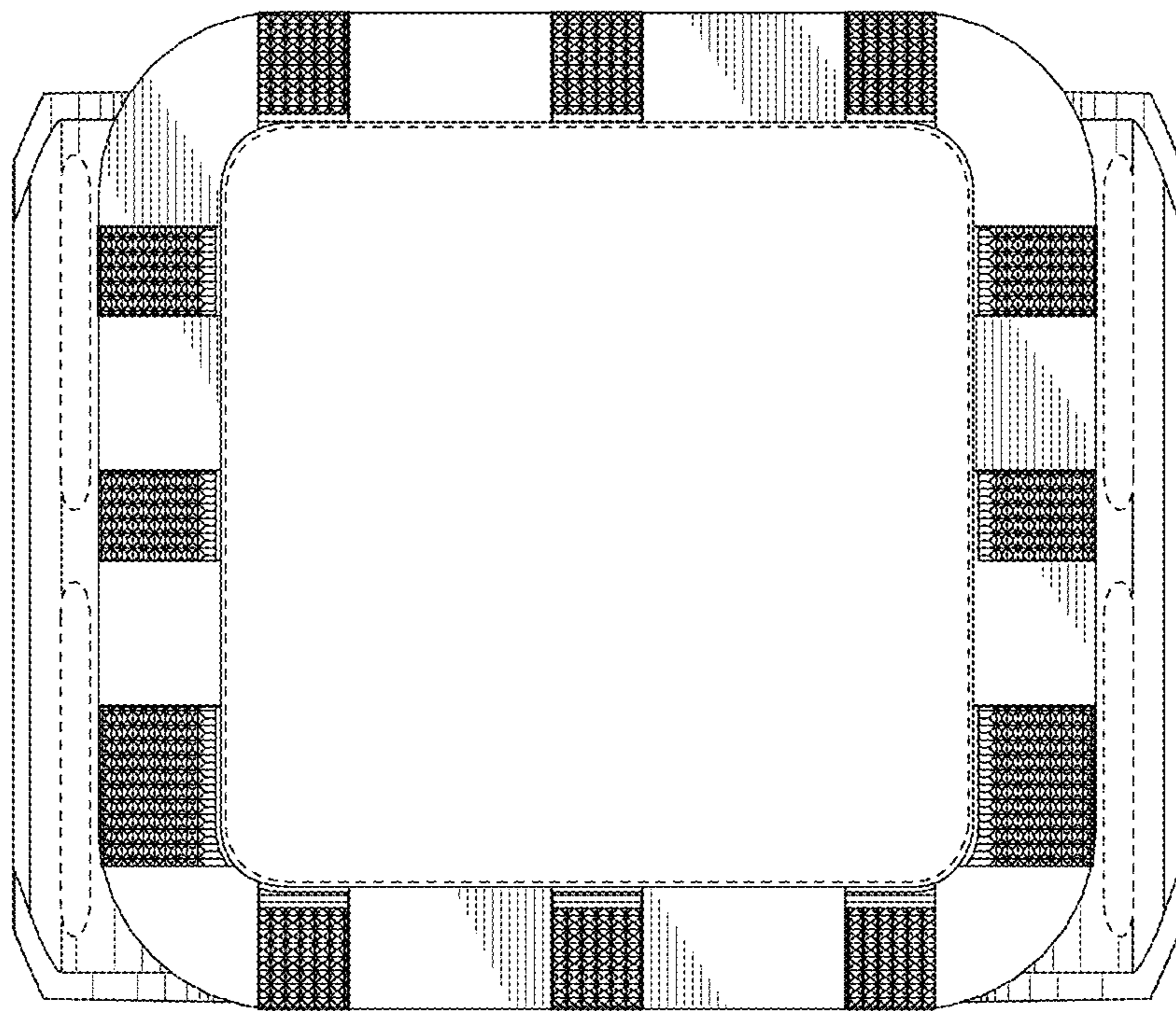


FIG. 7