



US00D798699S

(12) **United States Design Patent** (10) **Patent No.:** **US D798,699 S**
Roiser (45) **Date of Patent:** **** Oct. 3, 2017**

(54) **CLAMP FOR POLES WITH ADJUSTABLE LENGTH**

(71) Applicant: **KOMPERDELL Sportartikel Gesellschaft m.b.H., Mondsee (AT)**

(72) Inventor: **Thomas Roiser, Mondsee (AT)**

(73) Assignee: **KOMPERDELL SPORTARTIKEL GESELLSCHAFT M.B.H., Mondsee (AT)**

(**) Term: **15 Years**

(21) Appl. No.: **29/533,716**

(22) Filed: **Jul. 21, 2015**

(30) **Foreign Application Priority Data**

Jan. 22, 2015 (AT) MU 8/2015

(51) **LOC (10) Cl.** **08-08**

(52) **U.S. Cl.**
USPC **D8/396**

(58) **Field of Classification Search**
USPC D8/27, 28, 29, 394, 395, 396, 71, 72, 73, D8/74, 499, 354, 355; 297/215.14, 463.1; 24/279, 276; 285/252, 253, 410; 29/890; D24/127, 128; 248/62, 539, 540, 541; 403/196, 197, 198, 234, 256, 261, 385; 224/536; D23/262

CPC F16B 2/065; F16B 2/06; F16B 2/12; F16B 2/185; F16B 2/10; F16B 1/00; F16B 2/005; F16B 2/18; F16B 2001/0035; F16B 2001/0064; F16B 2/00; F16B 2/02; F16B 2/08; F16B 2/243; F16B 5/065; F16B 7/0426; F16M 13/02; F16M 13/022; F16M 11/00; A63B 29/02; A63B 2009/004; A63B 2208/12; A63B 9/00; A63C 11/00

See application file for complete search history.

(56) **References Cited**

U.S. PATENT DOCUMENTS

D598,076 S *	8/2009	Dole	D23/262
D672,229 S *	12/2012	Reid	D8/396
D681,440 S *	5/2013	Yu	D8/396
D700,835 S *	3/2014	Langlois	D8/396
D708,053 S *	7/2014	Marini	D24/127
D712,730 S *	9/2014	Gridley	D8/396
D721,950 S *	2/2015	Quinlan	D8/396
D735,025 S *	7/2015	Mathien	D8/396
9,212,777 B2 *	12/2015	Shi	F16M 13/022
2013/0097863 A1 *	4/2013	Johnson	B21D 53/06 29/890.051

OTHER PUBLICATIONS

Amazon "Newer Aluminum Quick-Release Seat Post Clamp 31.8mm Black Bike Seat Clamps (1 Pack)", www.Amazon.com. Jul. 16, 2013. shown in p. 1, Item # B0095R6OTK.*

* cited by examiner

Primary Examiner — Cynthia Ramirez
Assistant Examiner — Michael Maharajh
(74) *Attorney, Agent, or Firm* — Young & Thompson

(57) **CLAIM**

The ornamental design for a clamp for poles with adjustable length, as shown and described.

DESCRIPTION

FIG. 1 is a front, right side and top perspective view of a clamp for poles with adjustable length showing the new design;

FIG. 2 is a bottom plan view thereof;

FIG. 3 is a top plan view thereof;

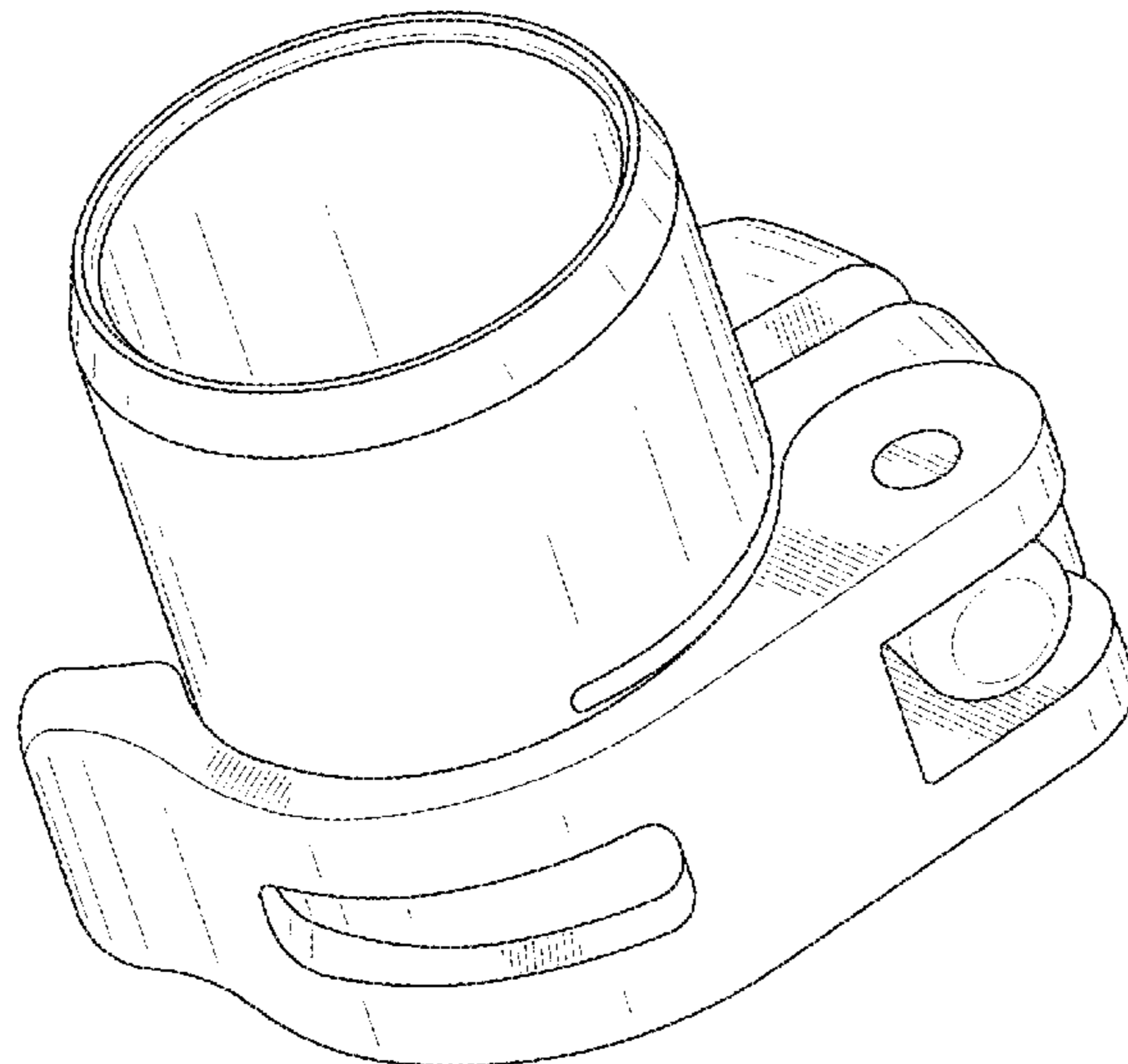
FIG. 4 is a rear elevation view thereof;

FIG. 5 is a left side elevation view thereof;

FIG. 6 is a front elevation view thereof; and,

FIG. 7 is a right side elevation view thereof.

1 Claim, 7 Drawing Sheets



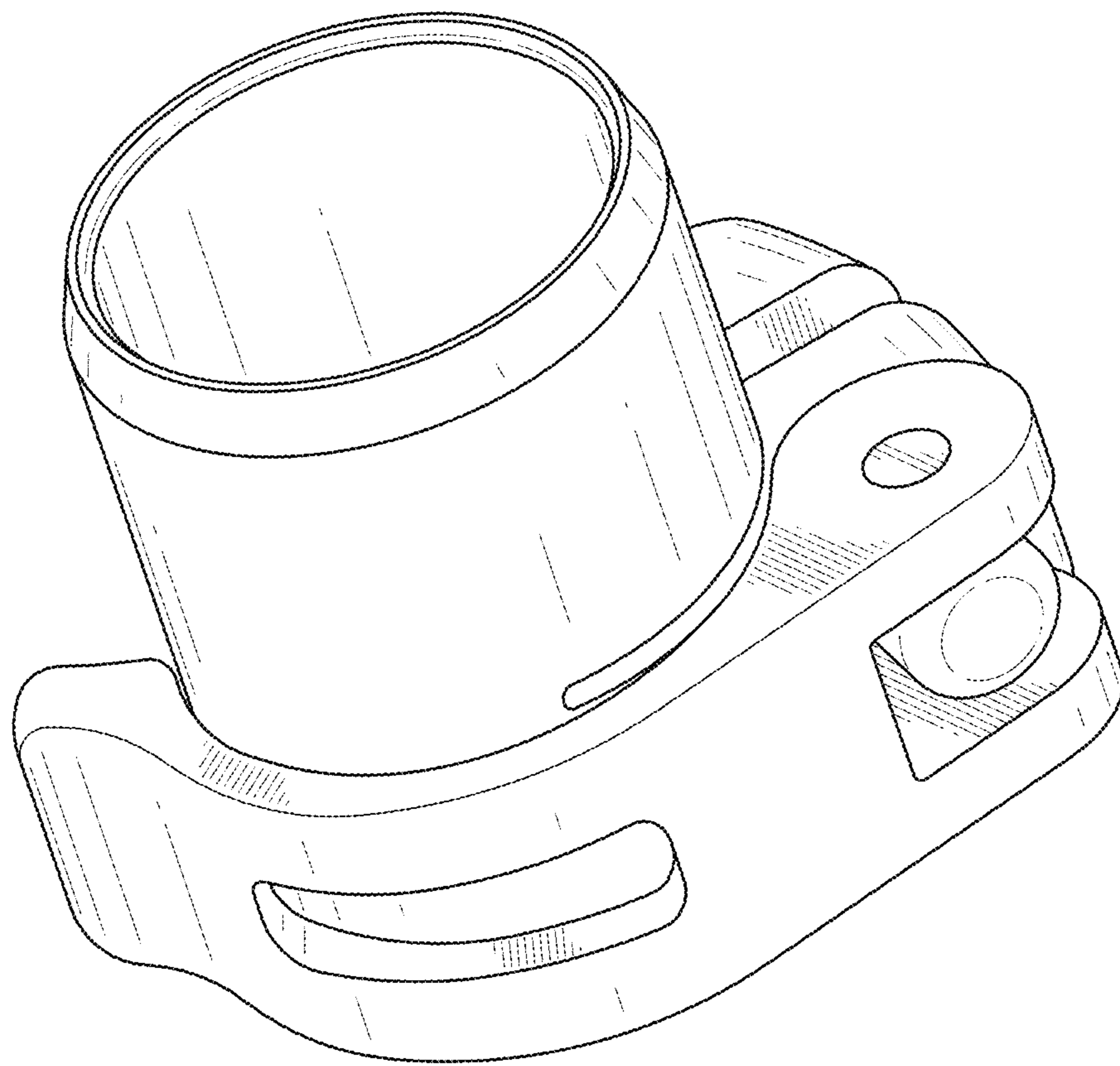


FIG. 1

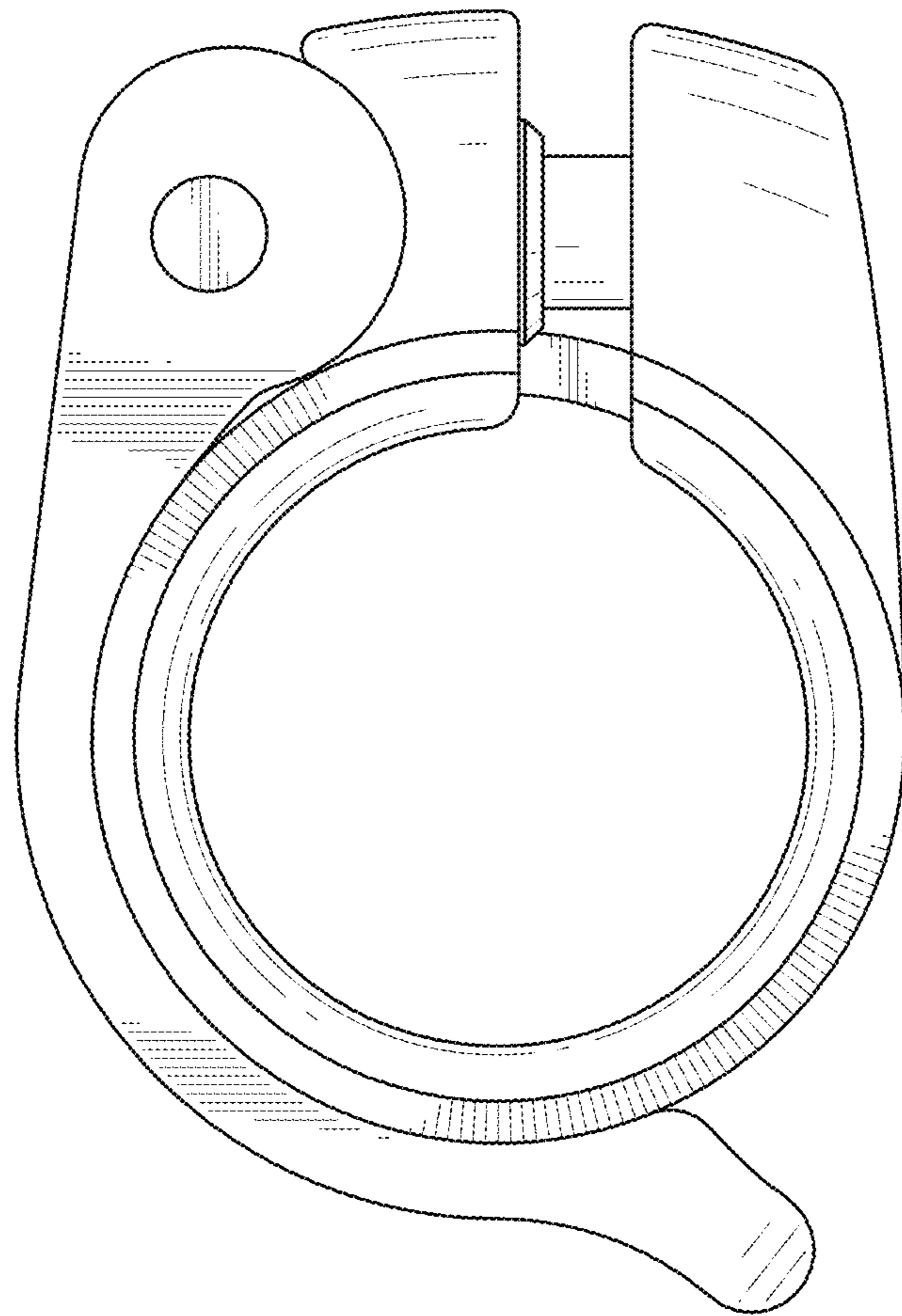


FIG.2

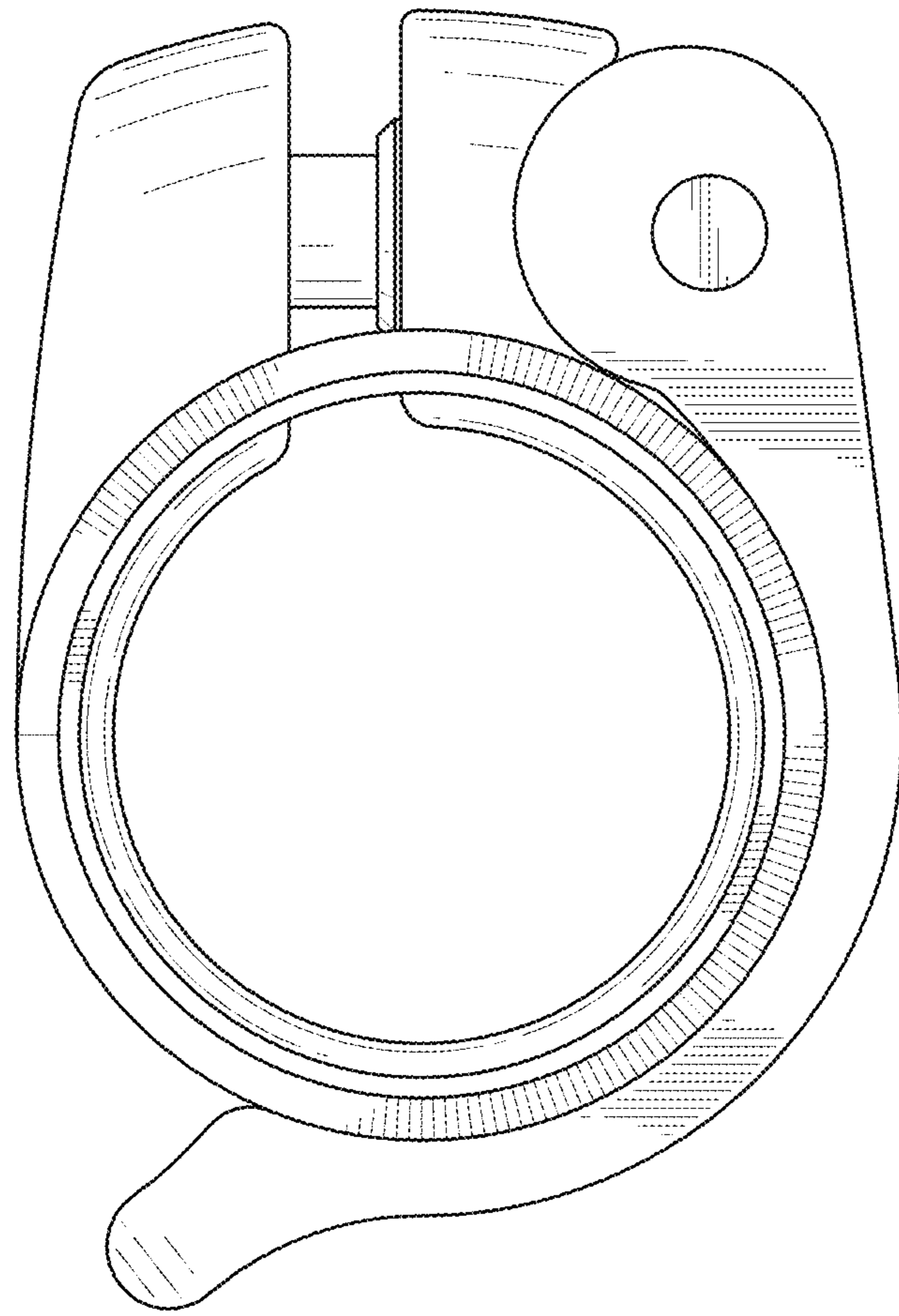


FIG.3

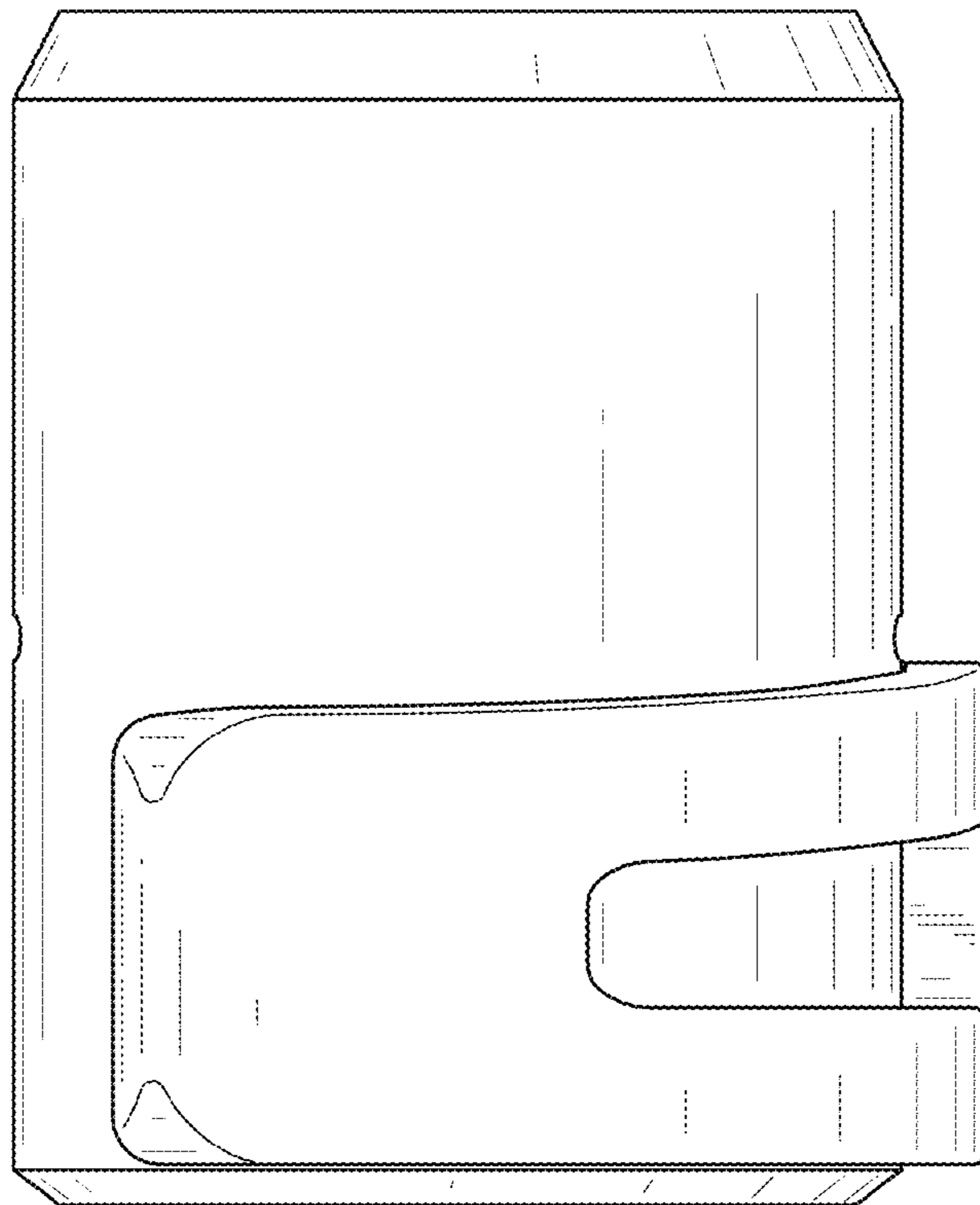


FIG.4

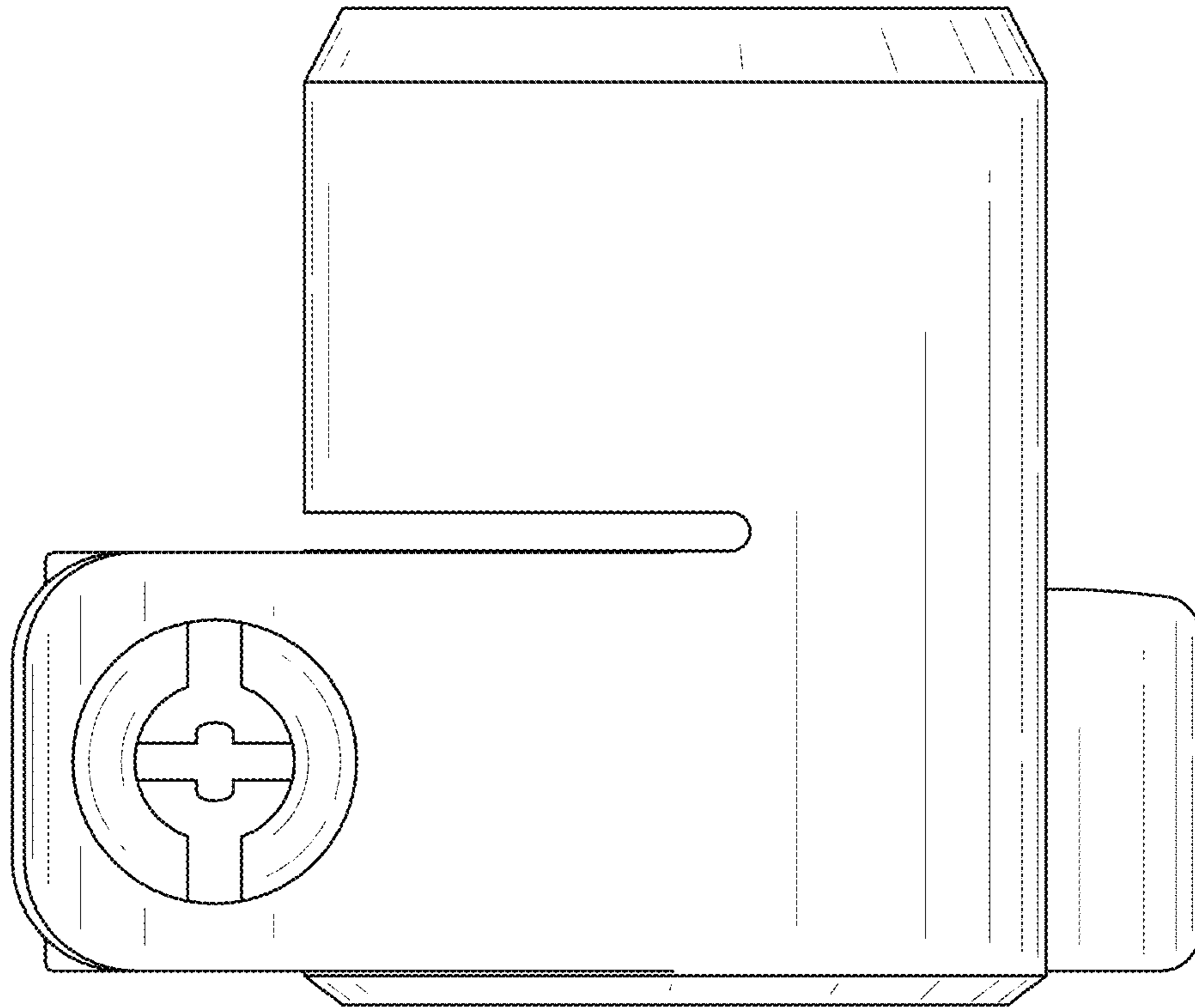


FIG. 5

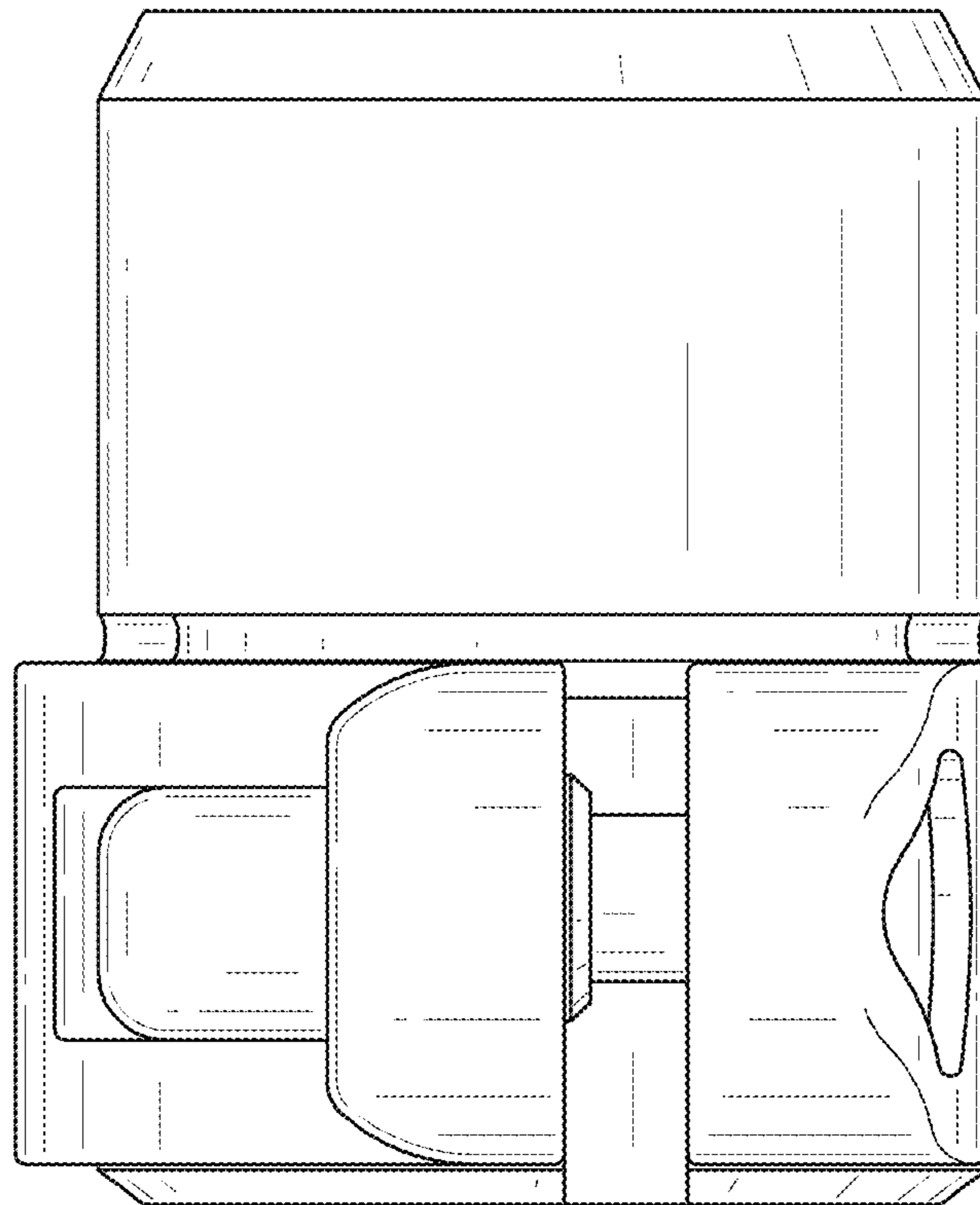


FIG.6

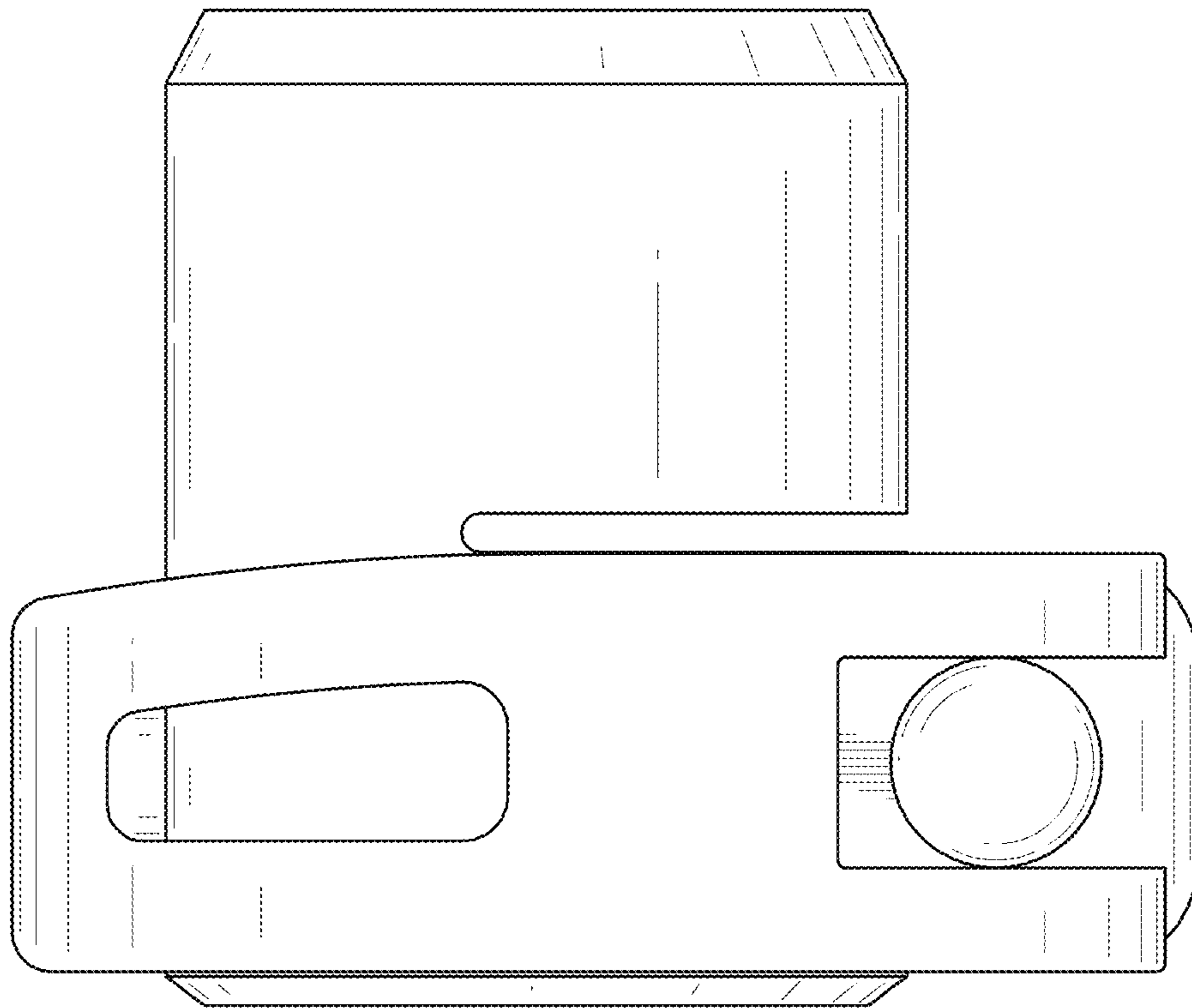


FIG.7