

US00D798694S

(12) **United States Design Patent** (10) **Patent No.:** **US D798,694 S**
Shoenhair et al. (45) **Date of Patent:** **** Oct. 3, 2017**

(54) **FASHION HOOK**

D353,492 S * 12/1994 Goodman D6/323
5,372,346 A * 12/1994 Upchurch F16B 21/04
248/222.52
D361,930 S * 9/1995 Fillipp D8/367
D390,014 S * 2/1998 Ho D6/323
D390,709 S 2/1998 Moore

(71) Applicant: **THE HILLMAN GROUP, INC.**,
Cincinnati, OH (US)

(72) Inventors: **Jordan D. Shoenhair**, Tempe, AZ
(US); **Amy L. Miller-Blase**, Cincinnati,
OH (US); **Hyunchul Kim**, Chicago, IL
(US); **Holly Prouty**, Chicago, IL (US)

Primary Examiner — Cynthia Underwood
(74) *Attorney, Agent, or Firm* — Thompson Hine LLP

(73) Assignee: **THE HILLMAN GROUP, INC.**,
Cincinnati, OH (US)

(57) **CLAIM**

The ornamental design for a fashion hook, as shown and described.

(**) Term: **15 Years**

DESCRIPTION

(21) Appl. No.: **29/576,441**

(22) Filed: **Sep. 2, 2016**

(51) **LOC (10) Cl.** **08-05**

(52) **U.S. Cl.**
USPC **D8/367**

(58) **Field of Classification Search**
USPC D8/367, 354, 349, 394
CPC F16L 3/13; F16L 3/26; A47G 23/0225;
A47G 25/06; A47G 1/16; A47F 5/0846;
A47F 5/02; H02G 11/003; D06F 55/00;
E04H 17/10

See application file for complete search history.

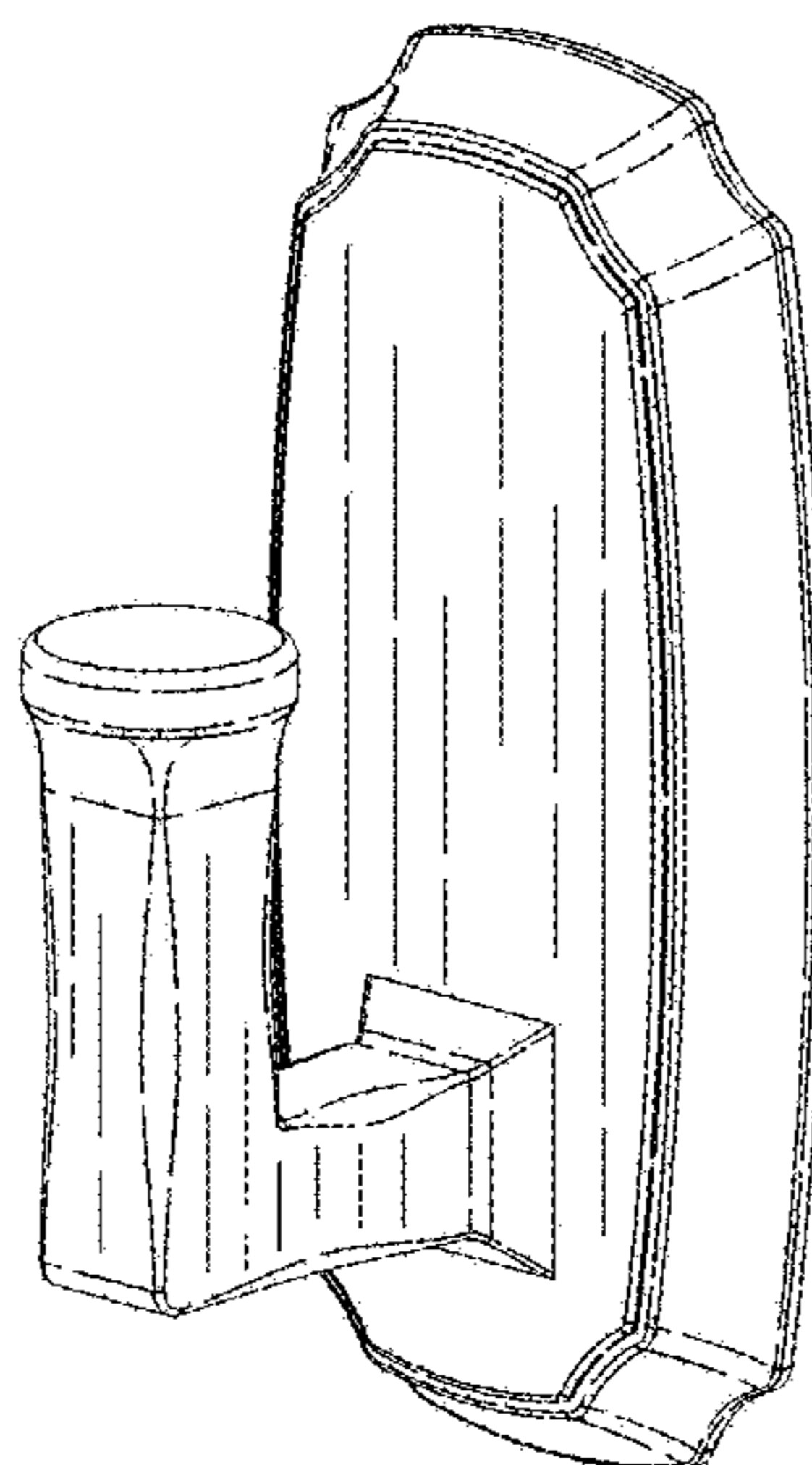
FIG. 1 is a perspective view of a fashion hook showing one embodiment of our new design;
FIG. 2 is front elevation thereof;
FIG. 3 is a top view thereof;
FIG. 4 is a bottom view thereof;
FIG. 5 is one side view thereof;
FIG. 6 is another side view thereof;
FIG. 7 is a perspective view of a fashion hook showing another embodiment of our new design;
FIG. 8 is front elevation thereof;
FIG. 9 is a top view thereof;
FIG. 10 is a bottom view thereof;
FIG. 11 is one side view thereof;
FIG. 12 is another side view thereof.
FIG. 13 is a perspective view of a fashion hook showing another embodiment of our new design;
FIG. 14 is front elevation thereof;
FIG. 15 is a top view thereof;
FIG. 16 is a bottom view thereof;
FIG. 17 is one side view thereof; and,
FIG. 18 is another side view thereof.
The rear portion of the embodiments of the fashion hook are not visible during ordinary use and form no part of the claimed design.

(56) **References Cited**

U.S. PATENT DOCUMENTS

D241,206 S * 8/1976 Halsted et al. D6/323
D289,139 S * 4/1987 Chasen D6/323
D289,255 S * 4/1987 Chasen D6/323
D307,539 S * 5/1990 Goodman D8/367
D312,384 S * 11/1990 Hamann 248/301
D312,385 S * 11/1990 Hamann D8/367
D312,959 S * 12/1990 Hamann 248/220.43
D325,131 S 4/1992 Fujiwara
D330,289 S 10/1992 Sharpe
D330,636 S 11/1992 Sharpe
D339,058 S * 9/1993 Greenhut D8/367

1 Claim, 9 Drawing Sheets



(56)

References Cited

U.S. PATENT DOCUMENTS

D393,412 S *	4/1998	Bries	D8/367	D580,186 S	11/2008	Krumpe et al.	
D397,256 S	8/1998	Moore et al.		D583,653 S *	12/2008	Thompson	D8/367
D398,451 S	9/1998	Sharpe		D591,143 S *	4/2009	Ernst	D8/370
D416,139 S	11/1999	Roth et al.		D603,688 S *	11/2009	Chiu	D8/367
D417,385 S *	12/1999	Bries	D8/367	D607,650 S	1/2010	Krumpe	
D426,390 S	6/2000	Green et al.		D608,100 S	1/2010	Yoo	
D428,802 S *	8/2000	Villano	D20/43	D609,995 S *	2/2010	Hager	D8/367
D431,451 S *	10/2000	Kuo	D8/367	7,789,248 B1 *	9/2010	Salerno	A47G 25/08 211/106.01
D432,316 S	10/2000	Duggan		D627,995 S *	11/2010	Osterle	D6/716
D435,971 S	1/2001	Solowiej		D630,027 S	1/2011	Romero	
D435,972 S	1/2001	Moore		D632,951 S *	2/2011	McGreevy	D8/367
D436,452 S	1/2001	Gastelum et al.		D641,228 S *	7/2011	Qiblawi	D8/367
D438,715 S	3/2001	Milrud et al.		D641,229 S *	7/2011	Qiblawi	D8/367
D442,056 S	5/2001	Duggan		7,972,100 B2 *	7/2011	Horvath	F16B 13/002 248/304
D453,271 S	2/2002	Gilbert et al.		8,002,225 B1 *	8/2011	Malone	A47B 81/00 211/118
D456,150 S	4/2002	Moore		D665,653 S *	8/2012	Thompson	D8/367
D462,844 S	9/2002	Chou		D668,935 S	10/2012	Yoo	
D465,096 S	11/2002	Ouyoung		D670,997 S *	11/2012	Thompson	D8/367
D465,340 S	11/2002	Hoernig		D672,974 S	12/2012	Krumpe	
D465,661 S	11/2002	Hoernig		D678,041 S *	3/2013	Pan	D8/367
D472,060 S	3/2003	Hoernig		D680,804 S *	4/2013	Gilboe	D7/367
D477,150 S	7/2003	Hoernig		D692,244 S	10/2013	Romero et al.	
D478,731 S	8/2003	Hoernig		D697,387 S *	1/2014	Starck	D8/367
D480,292 S *	10/2003	Johansson	D8/367	D697,388 S *	1/2014	Pan	D8/367
D485,156 S	1/2004	Moore		D697,389 S *	1/2014	Pan	D8/367
D494,452 S *	8/2004	Sheldon	D8/367	D715,133 S *	10/2014	Pan	D8/367
D496,258 S	9/2004	Fields		D715,625 S *	10/2014	Pan	D8/367
D500,602 S	1/2005	Solowiej		D715,626 S *	10/2014	Pan	D8/367
D505,545 S *	5/2005	Kay	D3/228	D720,937 S	1/2015	Fritz	
D526,132 S	8/2006	Solowiej		D734,133 S *	7/2015	Spindler	F21V 21/0808 D8/367
D526,493 S	8/2006	Fields		D746,664 S *	1/2016	Najieb	D23/411
D526,494 S	8/2006	Fields		D750,390 S	3/2016	Bahler	
D532,982 S	12/2006	Chang et al.		D751,371 S *	3/2016	Pan	D8/372
D535,110 S	1/2007	Hoernig		D751,372 S *	3/2016	Thompson	D8/372
D542,038 S	5/2007	Tau		D756,205 S *	5/2016	New	D8/367
D543,709 S	6/2007	Krumpe et al.		D756,755 S *	5/2016	Kuehn	D8/367
D543,837 S *	6/2007	Newbould	D8/367	D756,756 S *	5/2016	Kuehn	D8/367
D548,983 S	8/2007	Krumpe		D759,469 S *	6/2016	Garland	D8/367
D554,481 S *	11/2007	Newbould	D8/367	D760,068 S *	6/2016	Sehl	D8/367
D554,482 S *	11/2007	Hager	D8/367	D762,108 S *	7/2016	Knight	D8/372
D558,034 S *	12/2007	Ernst	D8/372	D764,901 S *	8/2016	Esparza	D8/367
D563,109 S	3/2008	Krumpe et al.		D769,004 S	10/2016	Bahler	
D565,939 S *	4/2008	Newbould	D8/367	D781,683 S *	3/2017	Yi	D8/354
D568,621 S	5/2008	Krumpe et al.		2006/0022105 A1 *	2/2006	MacKay	F16B 45/00 248/304
D570,613 S	6/2008	Ricereto					
D573,357 S	7/2008	Bickler et al.					
D578,779 S	10/2008	Lee et al.					
D579,322 S *	10/2008	Newbould	D8/367				

* cited by examiner

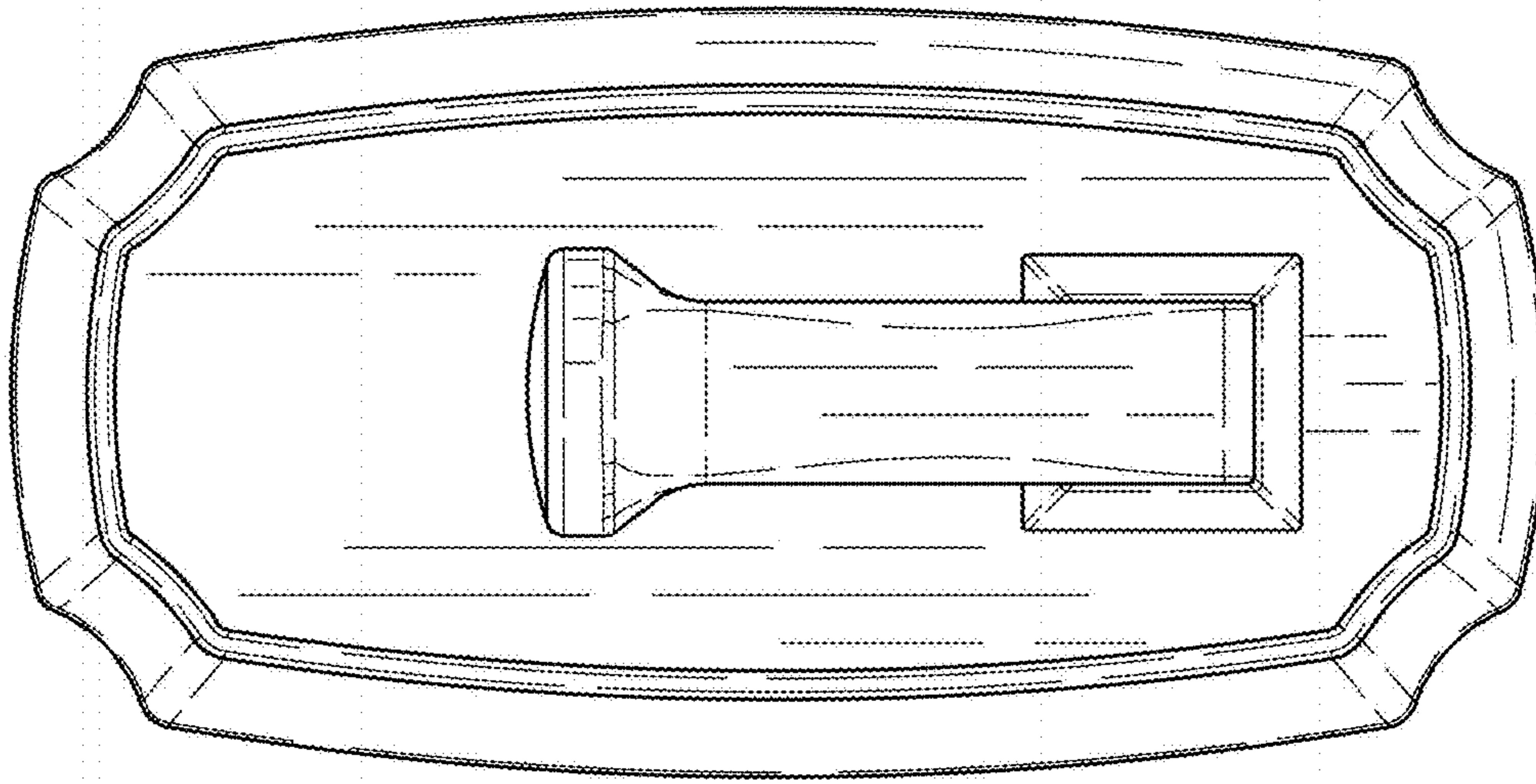


Fig. 2

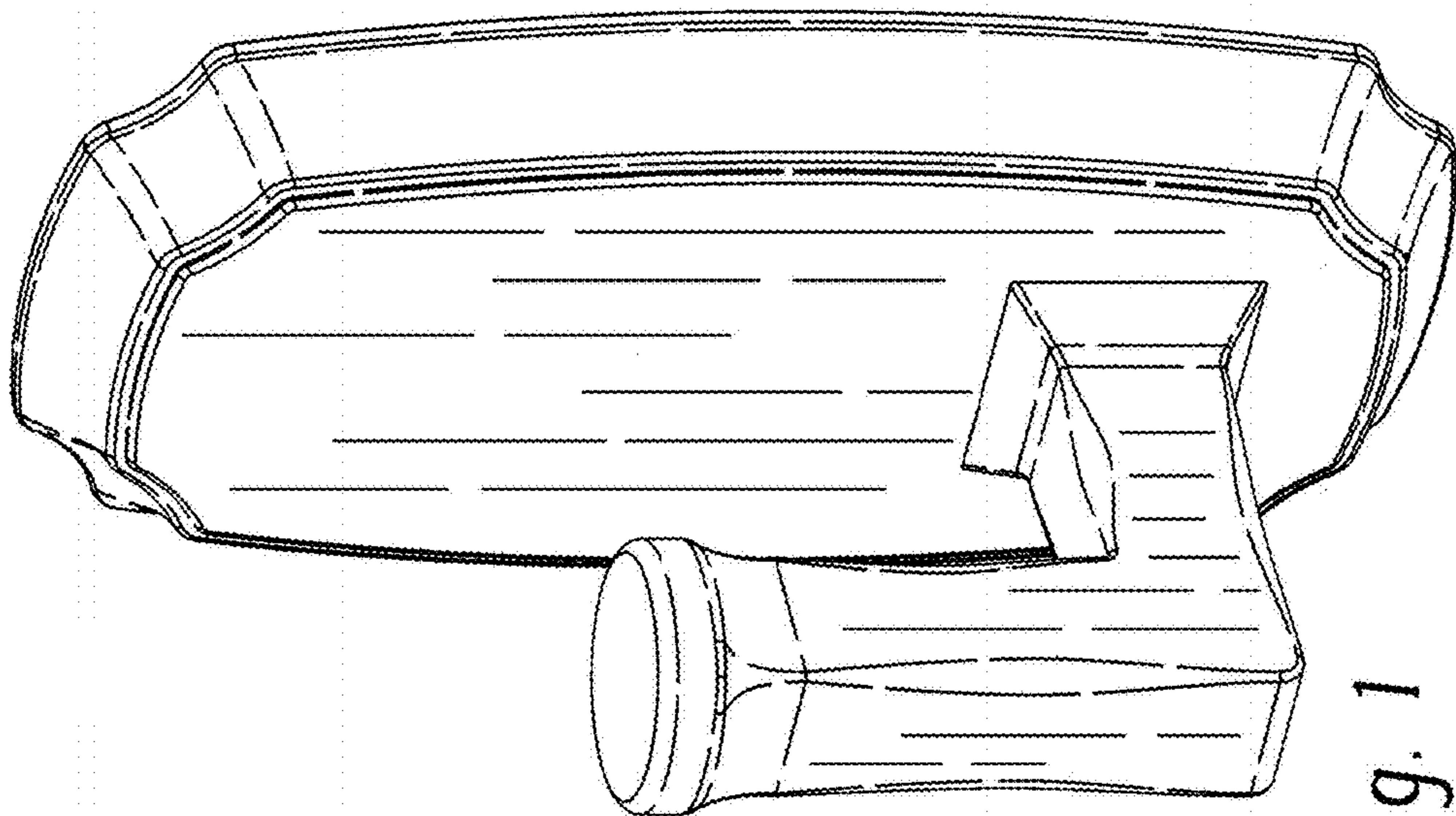


Fig. 1

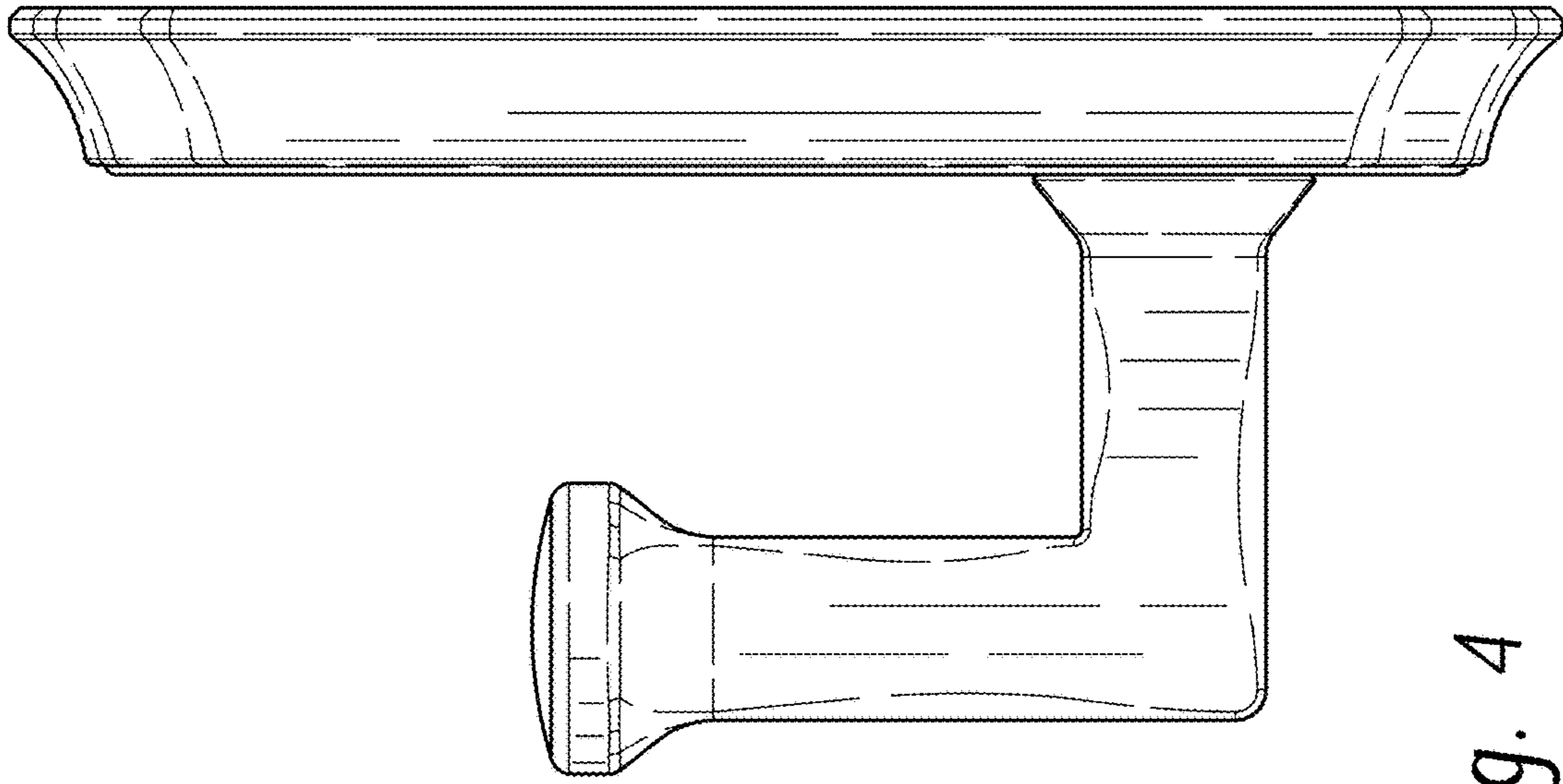


Fig. 4

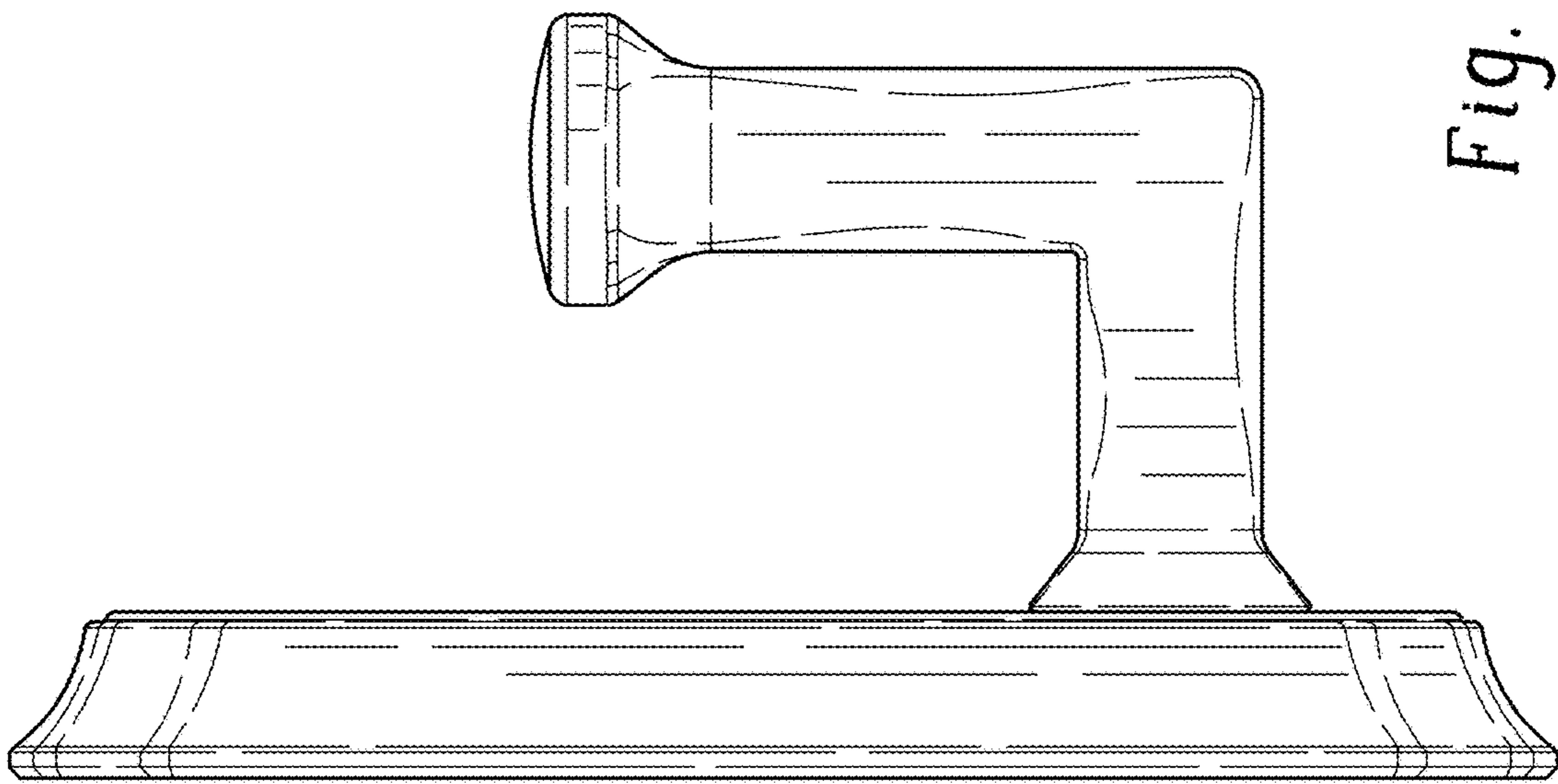


Fig. 3

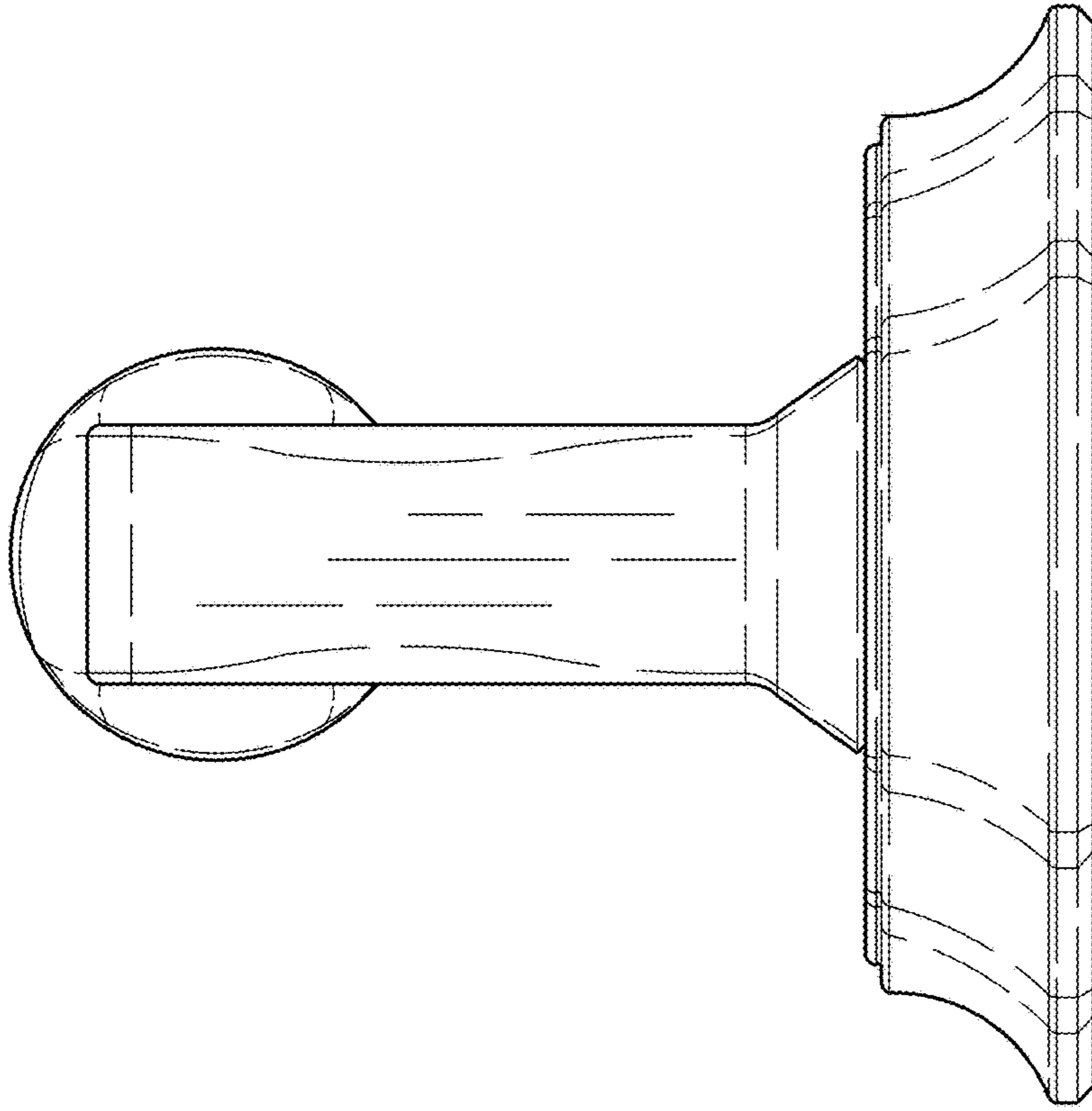


Fig. 6

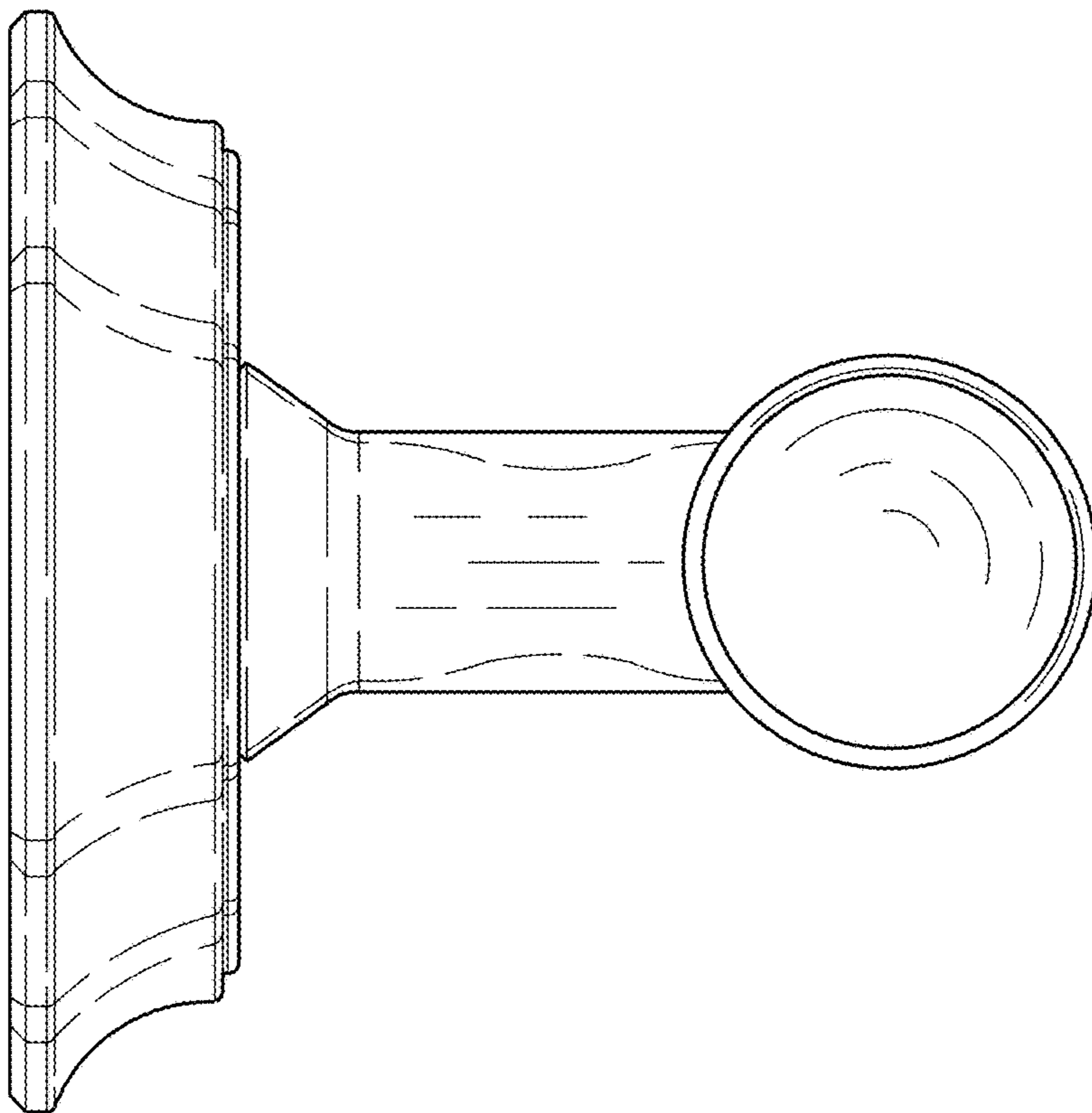


Fig. 5

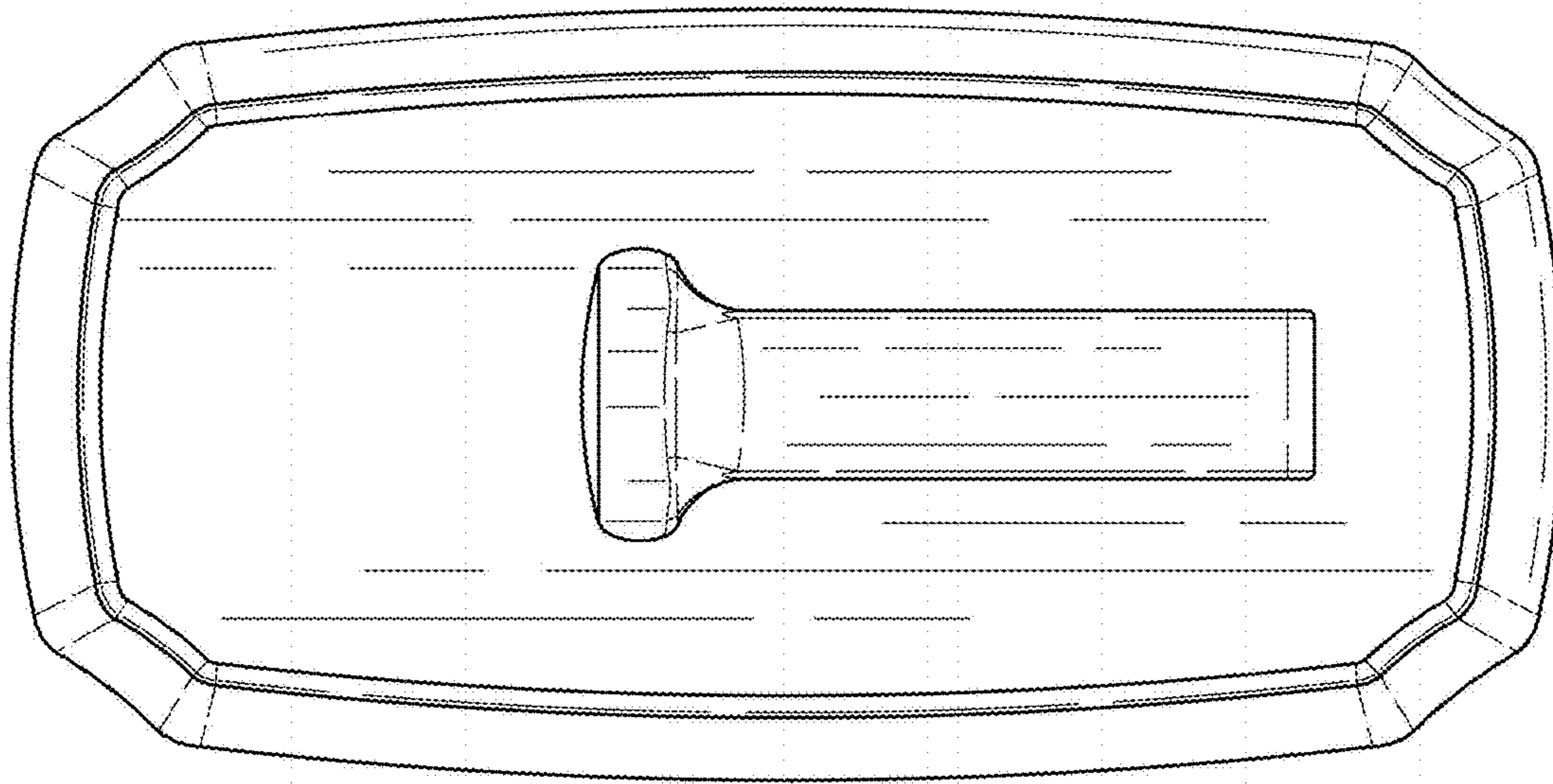


Fig. 8

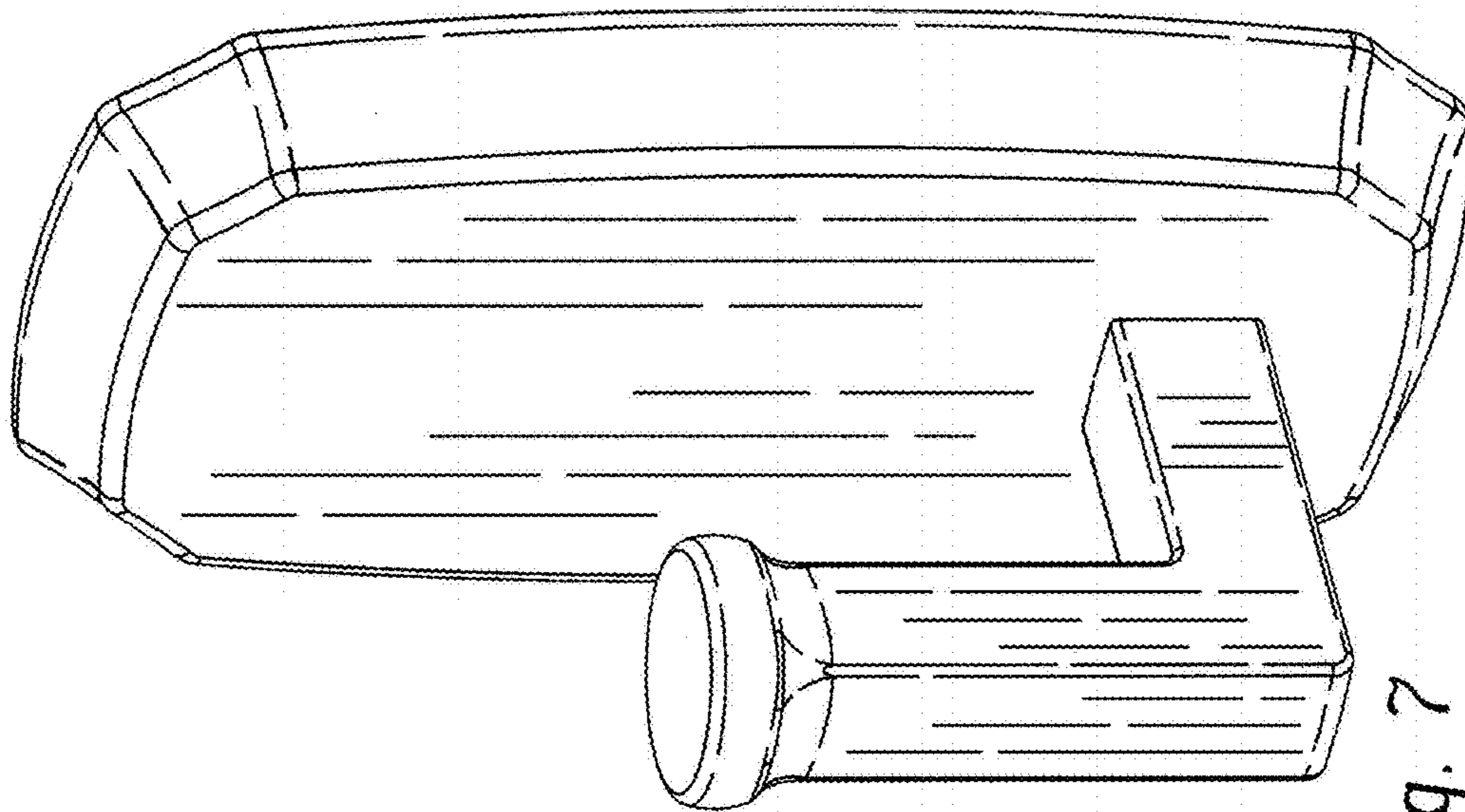


Fig. 7

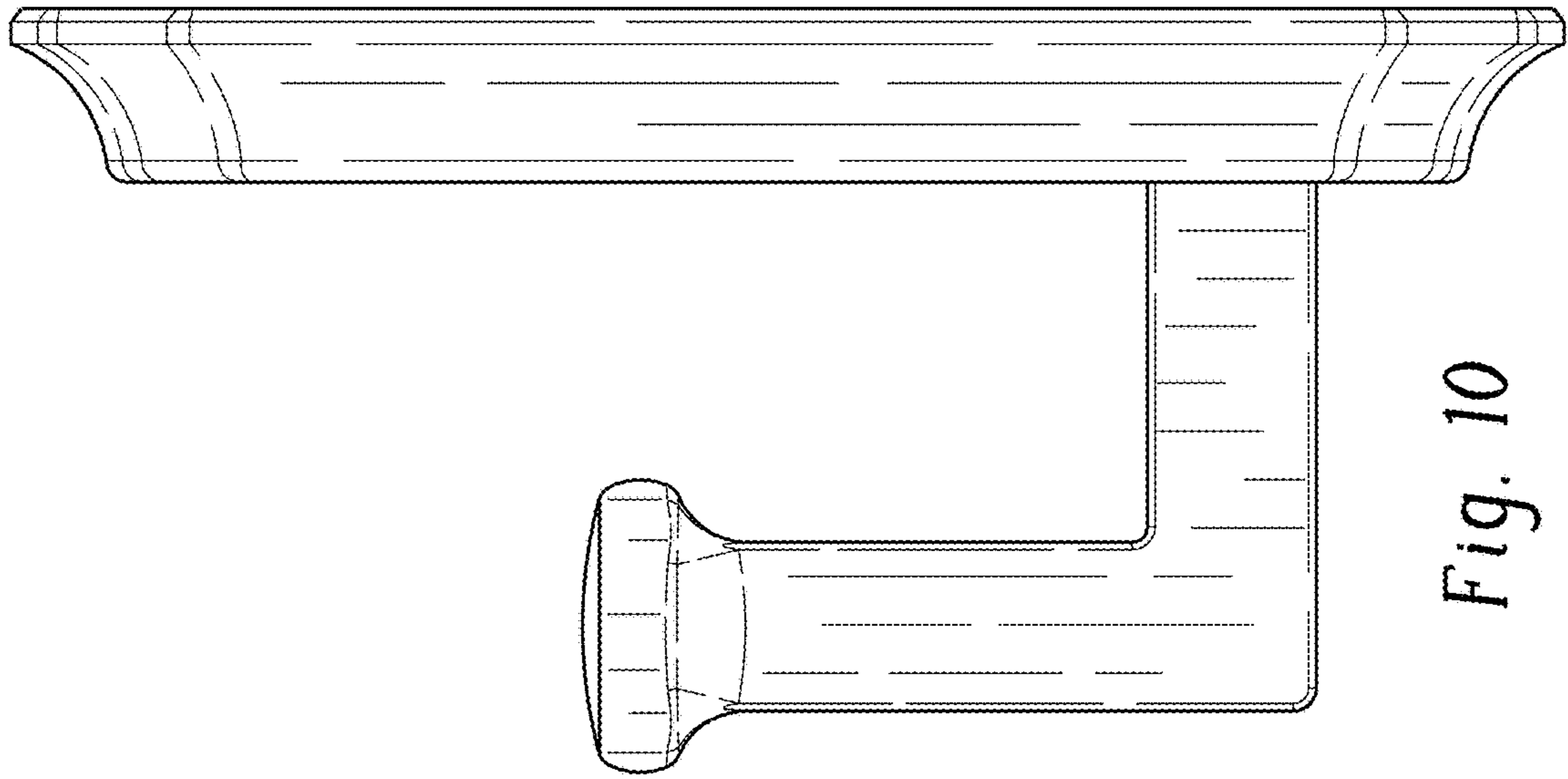


Fig. 9

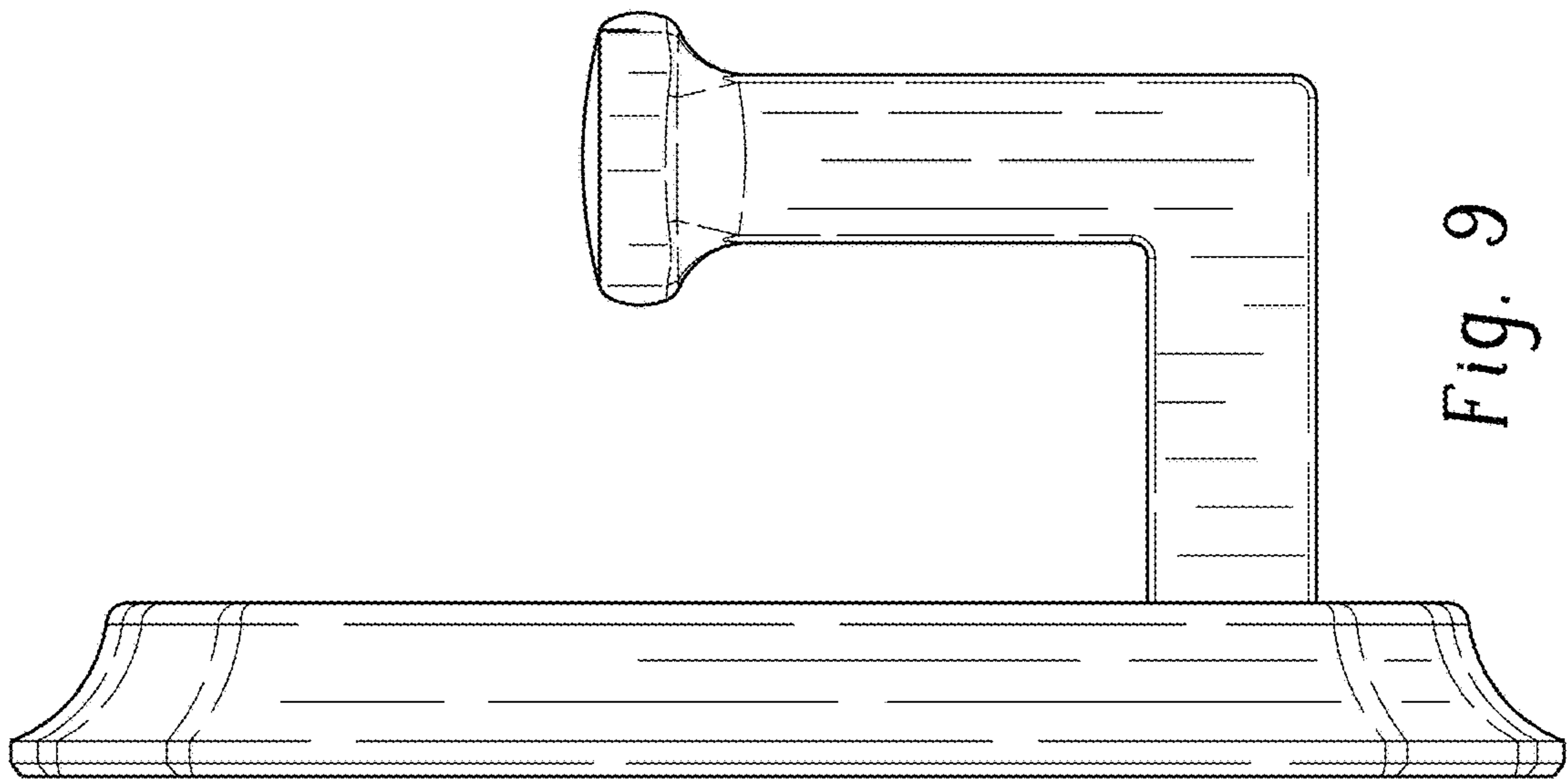


Fig. 10

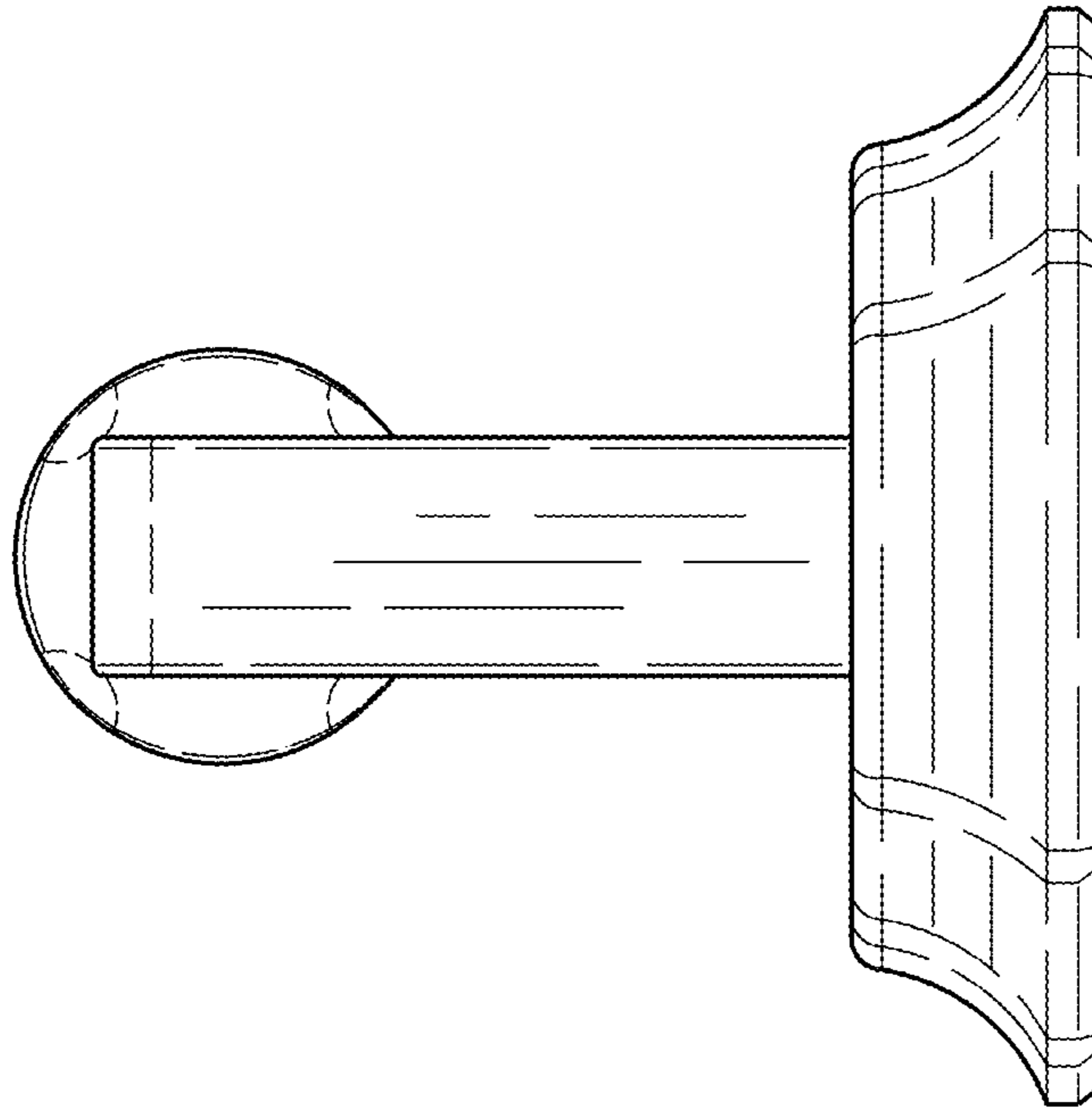


Fig. 11

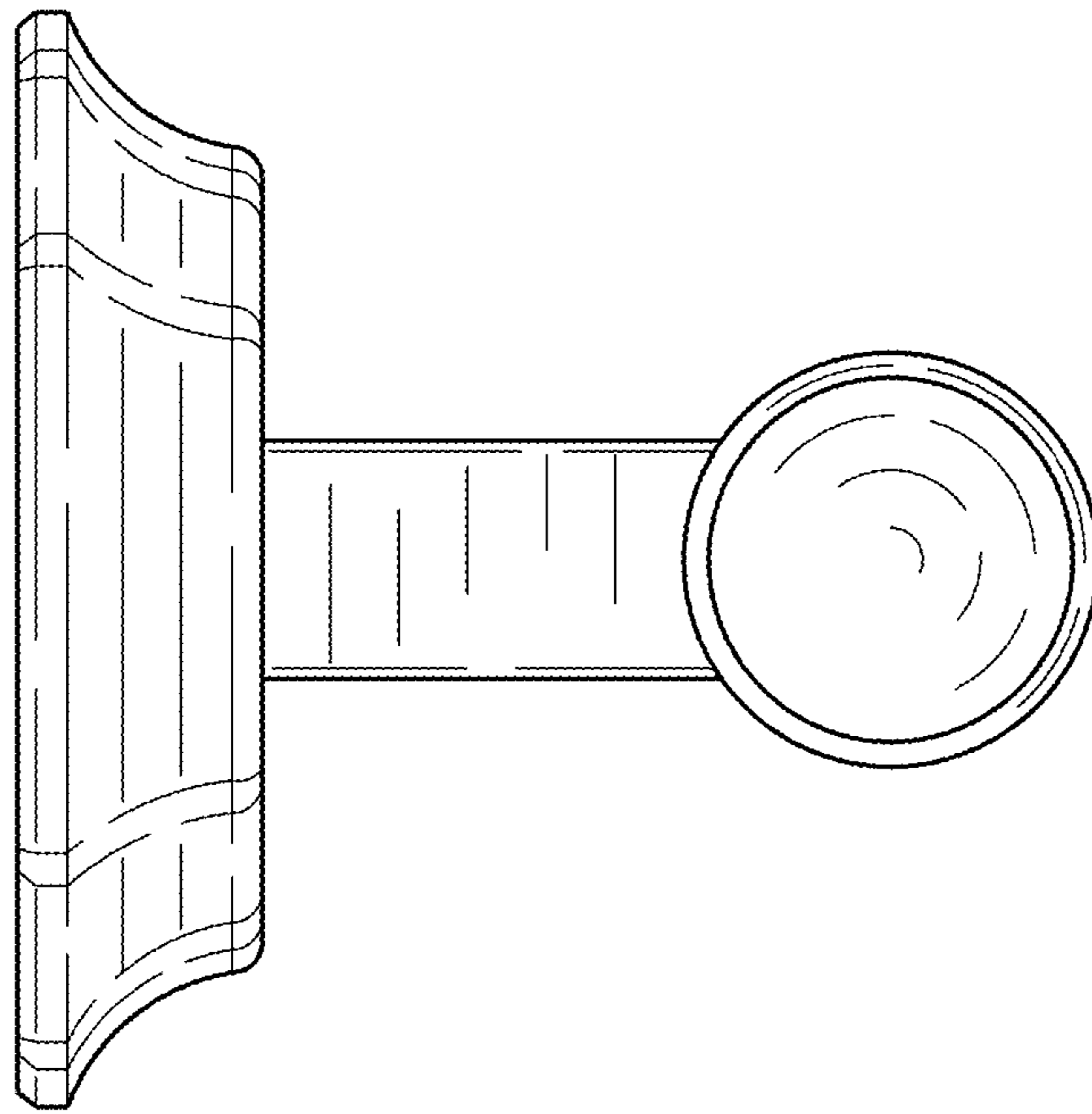


Fig. 12

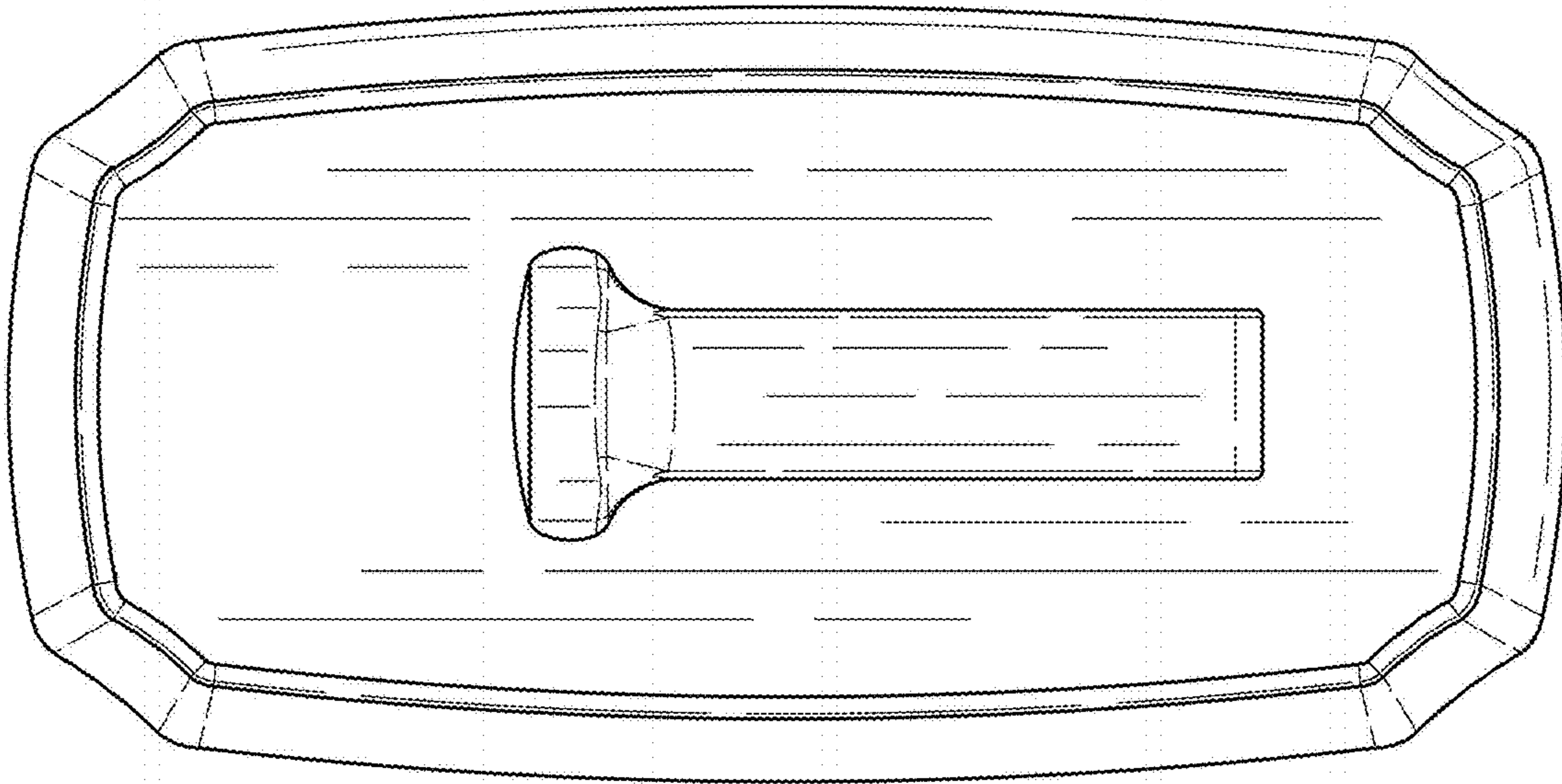


Fig. 14

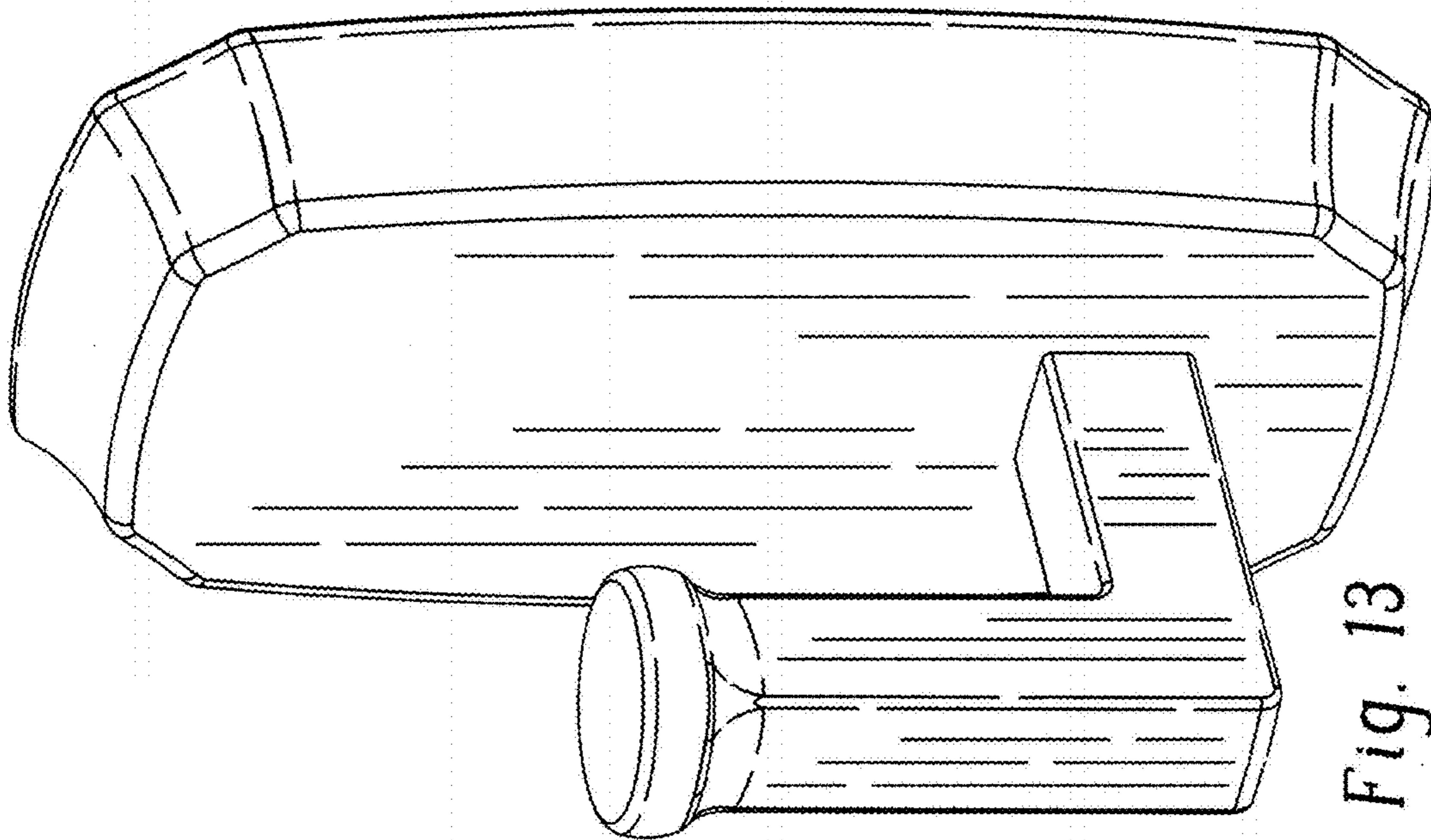


Fig. 13

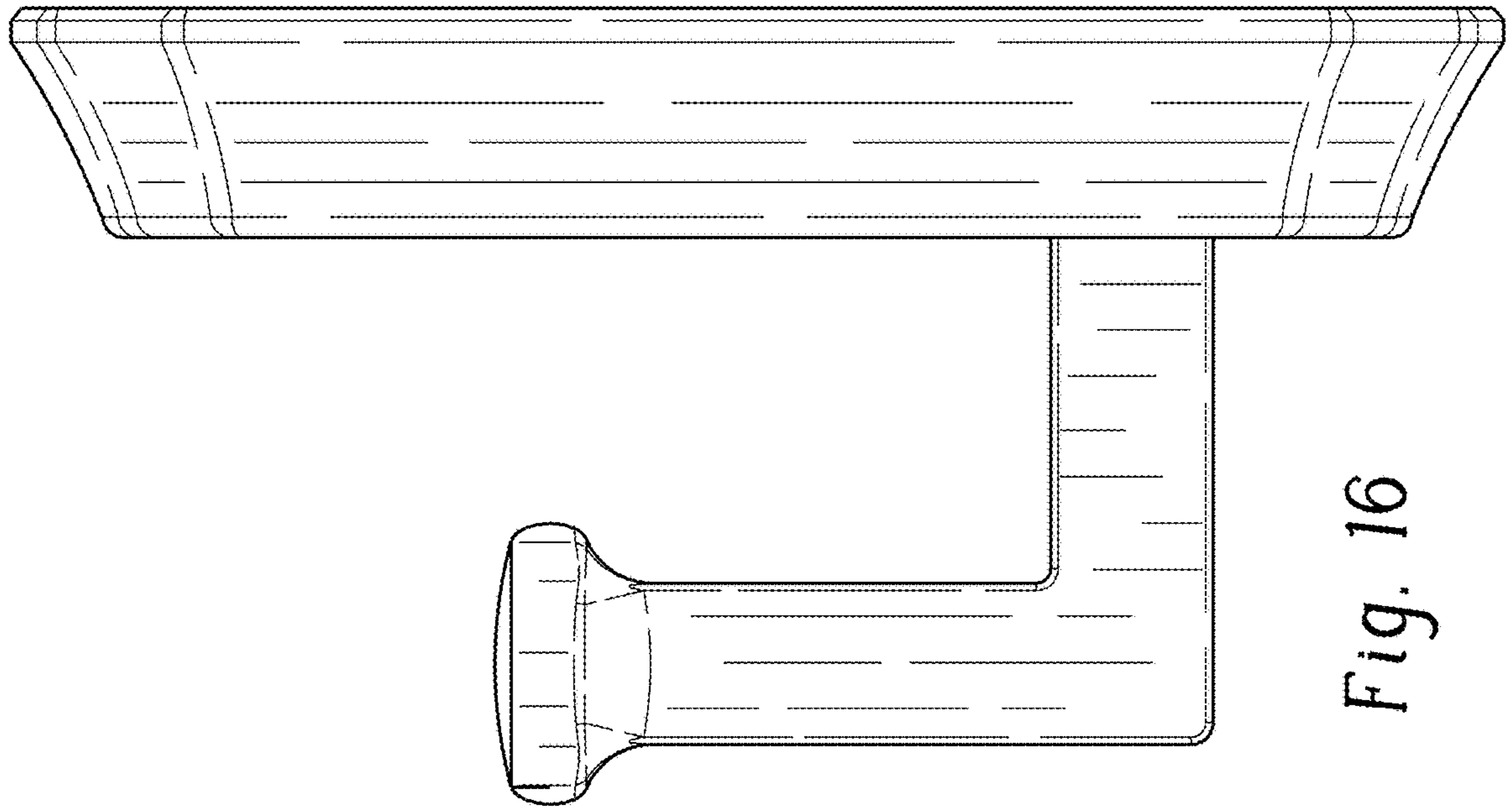


Fig. 16

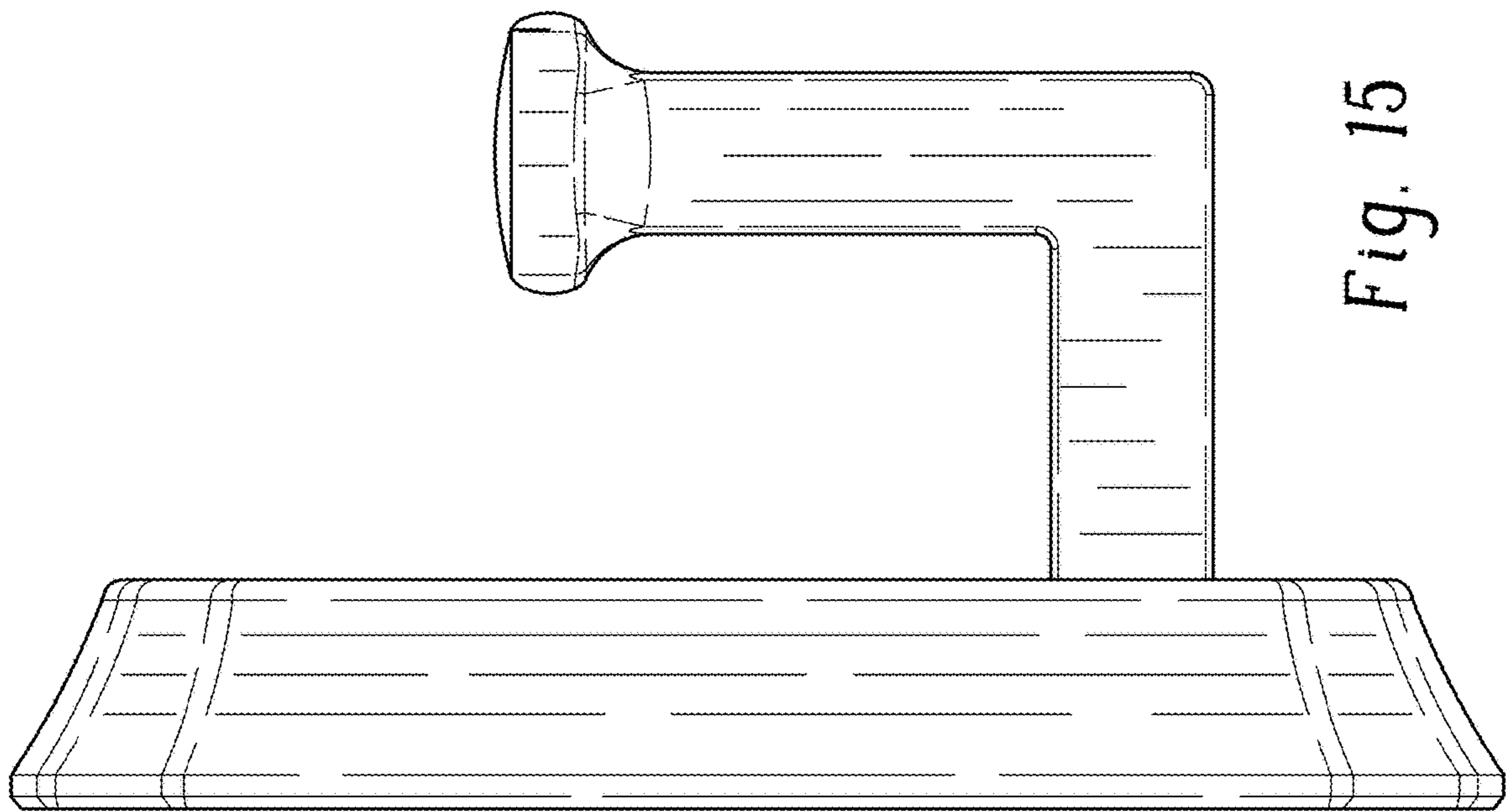


Fig. 15

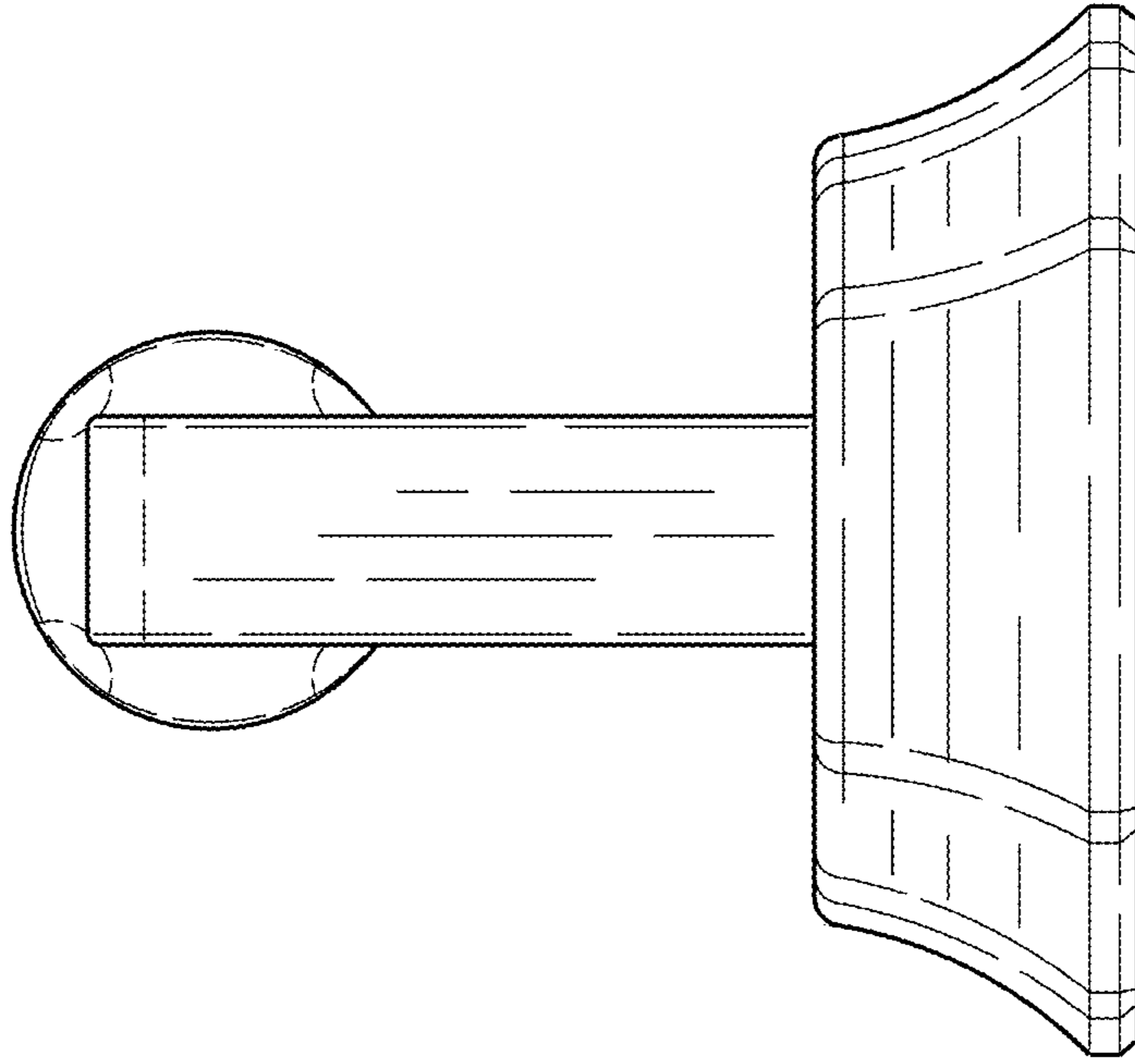


Fig. 17

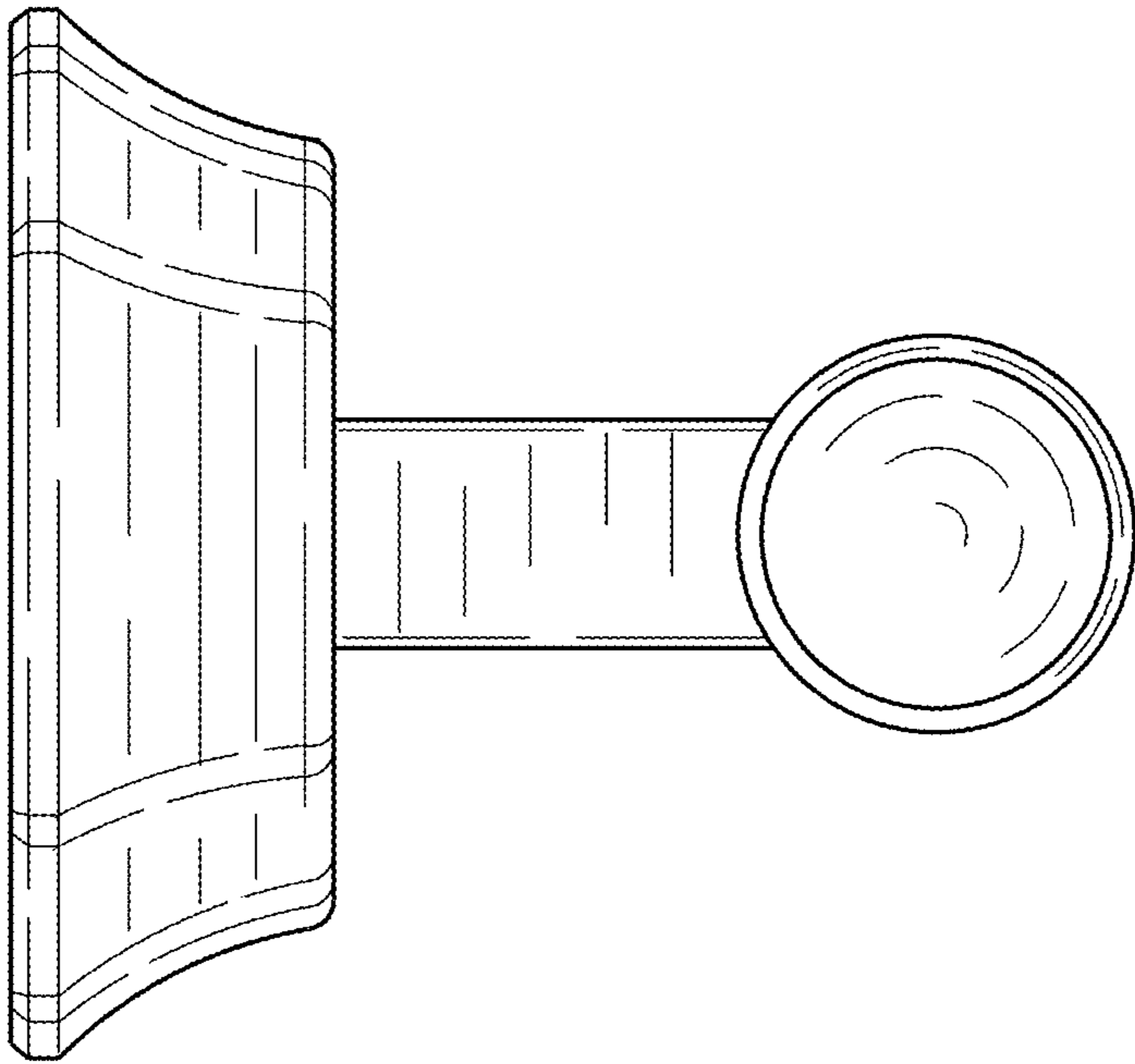


Fig. 18