



US00D798693S

(12) **United States Design Patent**
Kanagal Narasimhaswamy et al.

(10) **Patent No.:** **US D798,693 S**

(45) **Date of Patent:** **** Oct. 3, 2017**

- (54) **JUNCTION BOX BRACKET**
- (71) Applicant: **GENERAL ELECTRIC COMPANY**,
Schenectady, NY (US)
- (72) Inventors: **Vishwanath Kanagal**
Narasimhaswamy, Bangalore (IN);
Bhanu Prakash Annayappa, Bangalore
(IN)
- (73) Assignee: **General Electric Company**,
Schenectady, NY (US)
- (**) Term: **15 Years**
- (21) Appl. No.: **29/571,357**
- (22) Filed: **Jul. 18, 2016**
- (51) **LOC (10) Cl.** **08-05**
- (52) **U.S. Cl.**
USPC **D8/354**
- (58) **Field of Classification Search**
USPC 248/267-268; 362/365, 145, 368, 370;
D8/354
CPC H02G 3/126; H02G 3/08
See application file for complete search history.

- D557,117 S * 12/2007 Cannaverde D8/354
- D570,037 S * 5/2008 Hartman D26/138
- 7,696,432 B2 * 4/2010 Nakayama H02G 3/081
174/480
- D621,692 S * 8/2010 Clarke D8/354
- 7,771,094 B2 * 8/2010 Goode H02G 3/126
362/145
- D624,805 S * 10/2010 Clarke D8/354
- D712,816 S * 9/2014 Maholick D12/223
- 9,362,730 B2 * 6/2016 Petak H02G 3/121

* cited by examiner

Primary Examiner — Lakiya Rogers

Assistant Examiner — Harold E Blackwell, II

(74) *Attorney, Agent, or Firm* — Global Patent Operation;
John A. Kramer

(57) **CLAIM**

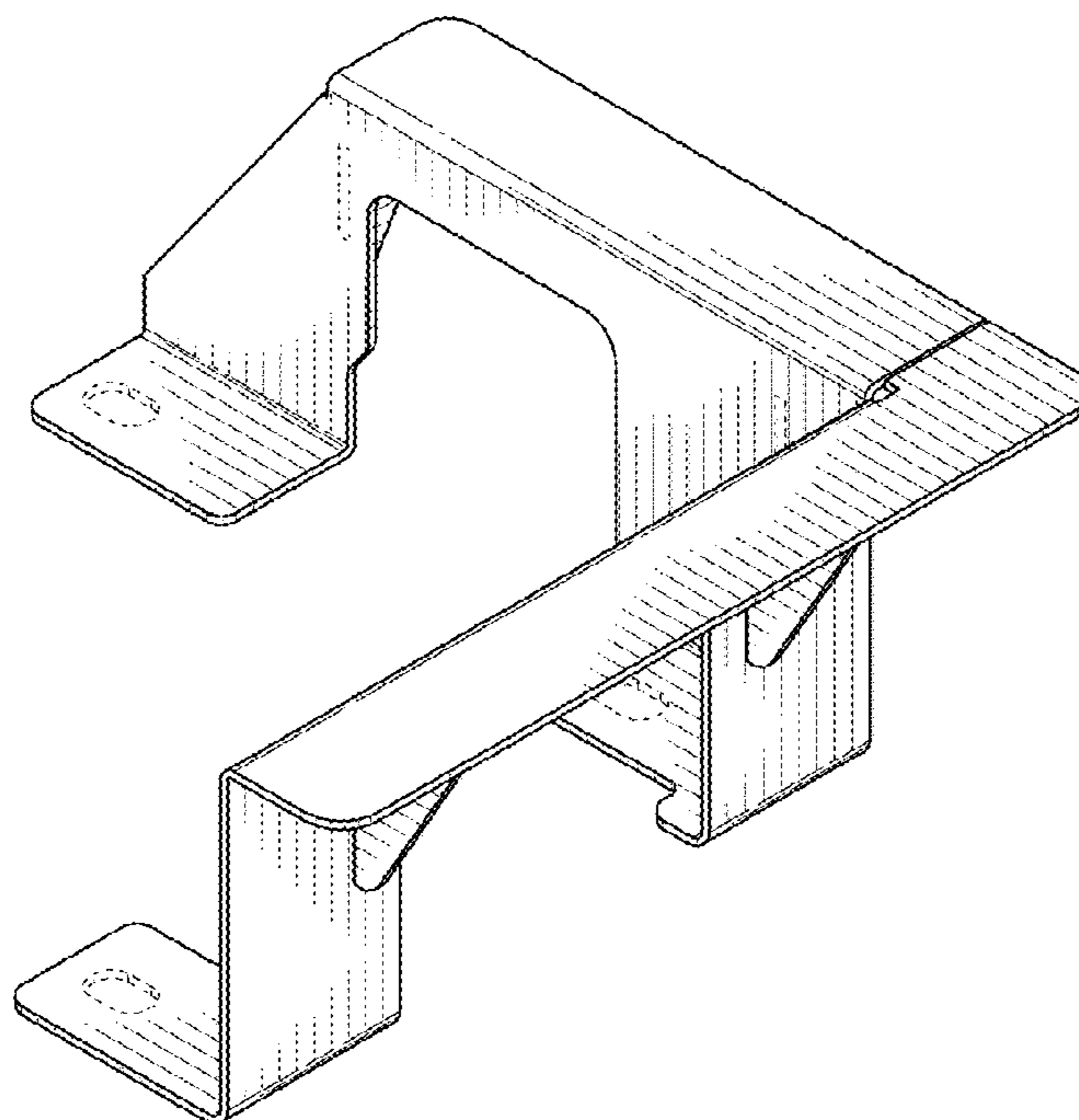
The ornamental design for a junction box bracket, as shown and described.

DESCRIPTION

FIG. 1 is a perspective view of a junction box bracket depicting a first embodiment of a new design;
 FIG. 2 is a first side view thereof;
 FIG. 3 is a second view thereof;
 FIG. 4 is an end view thereof;
 FIG. 5 is an opposite side end view thereof;
 FIG. 6 is a top plan view thereof;
 FIG. 7 is a bottom plan view thereof; and,
 FIG. 8 is an additional perspective view thereof.
 The broken line portion of the figure drawings is included to show unclaimed subject matter only and forms no part of the claimed designs.

1 Claim, 6 Drawing Sheets

- (56) **References Cited**
U.S. PATENT DOCUMENTS
- 5,263,676 A * 11/1993 Medlin, Jr. H02G 3/126
220/3.6
- D427,888 S * 7/2000 Hannon D8/354
- D427,889 S * 7/2000 Gretz D8/354
- D436,836 S * 1/2001 Erwin D8/354
- D557,116 S * 12/2007 Zakowski D8/354



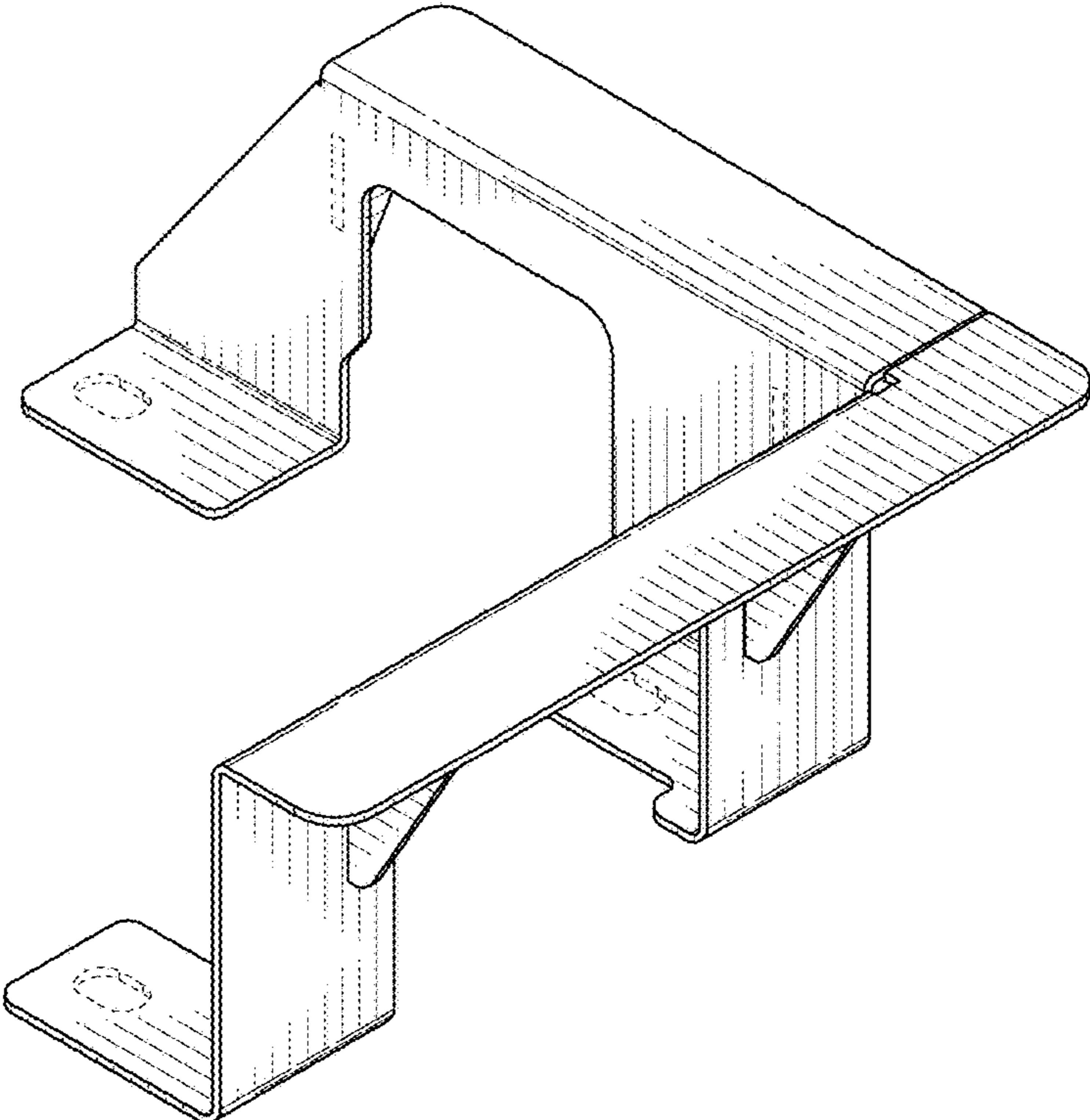


FIG. 1

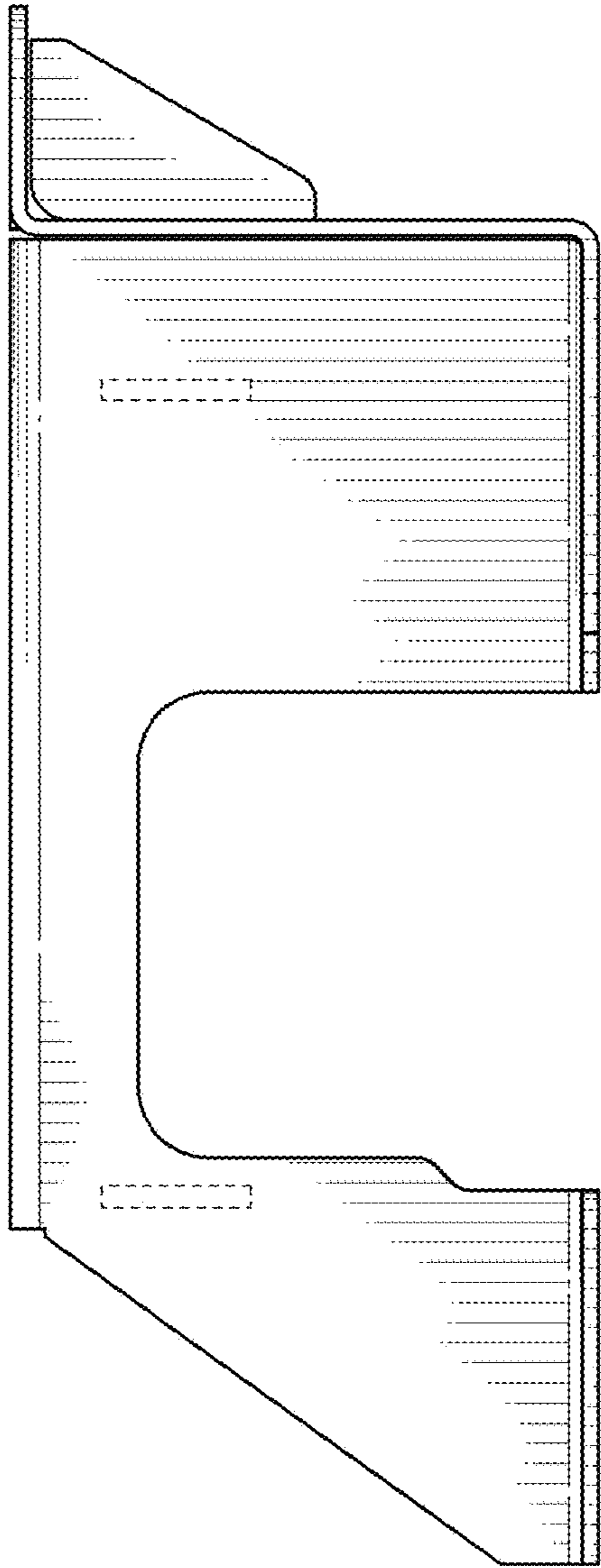


FIG. 2

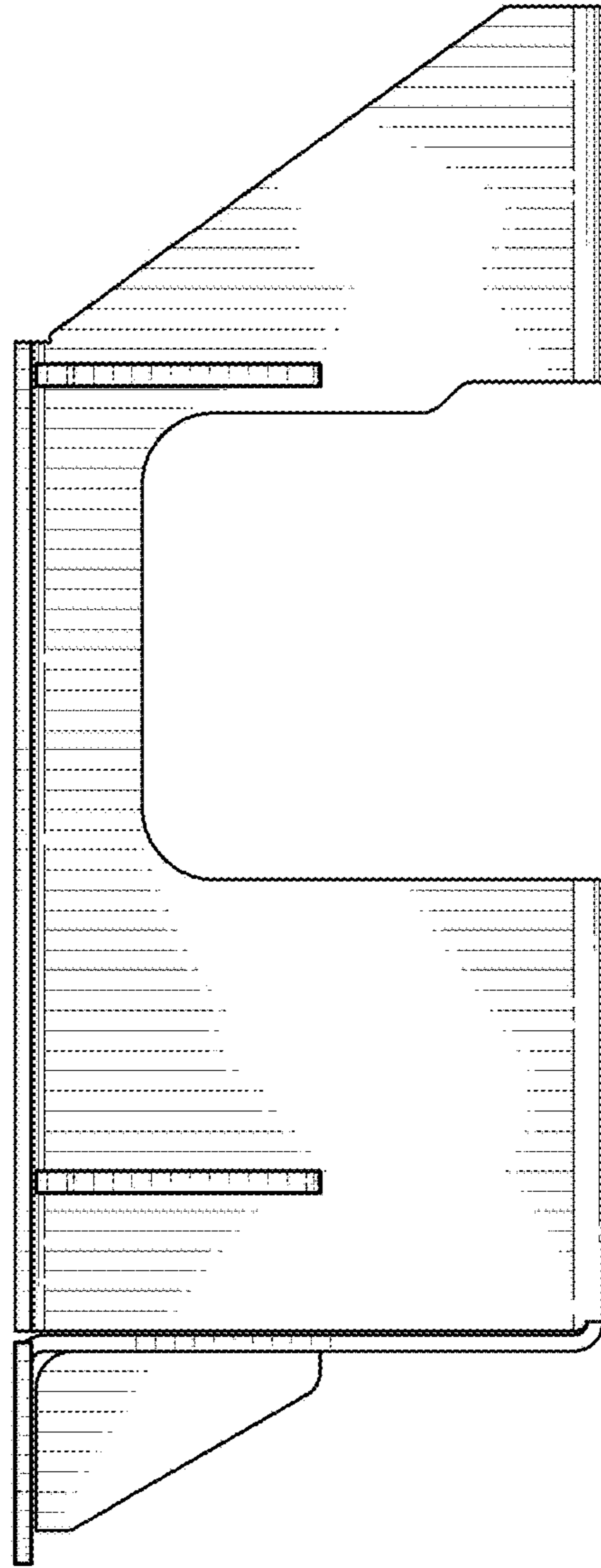


FIG. 3

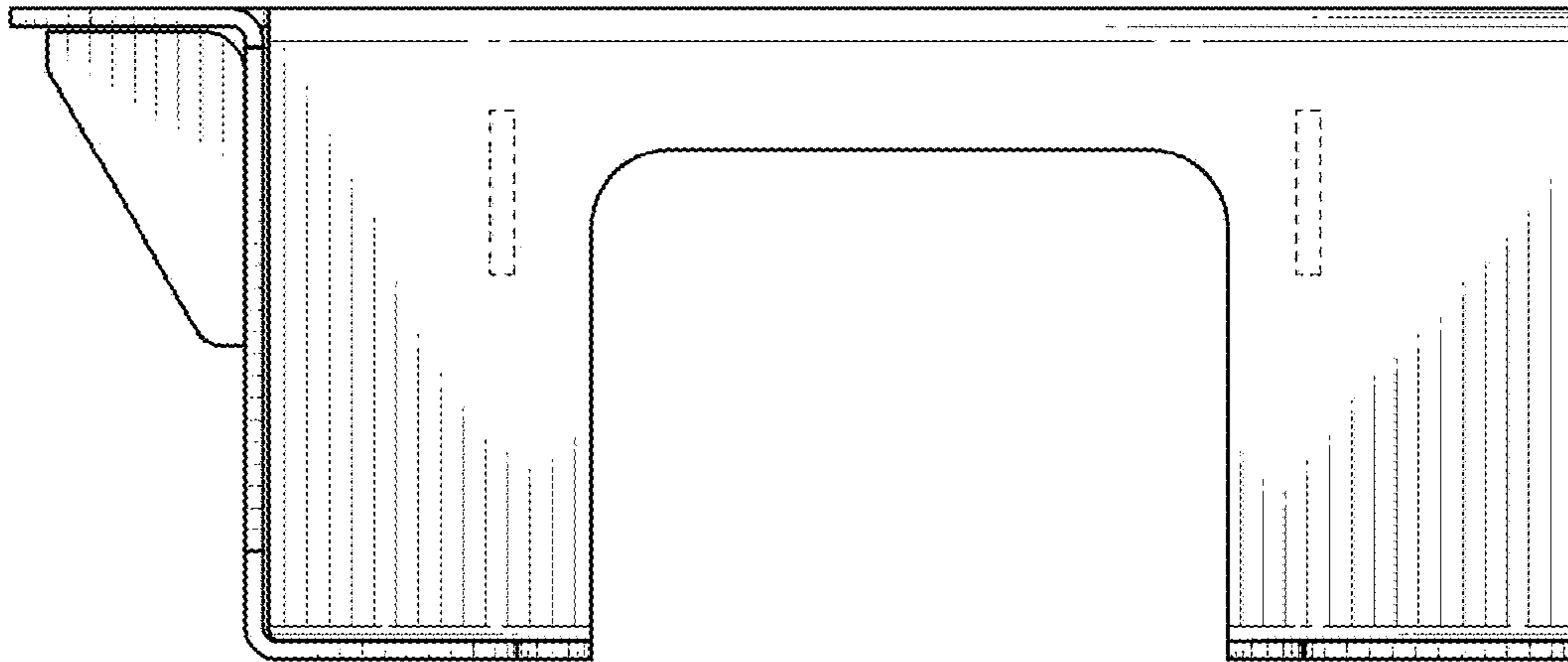


FIG. 4

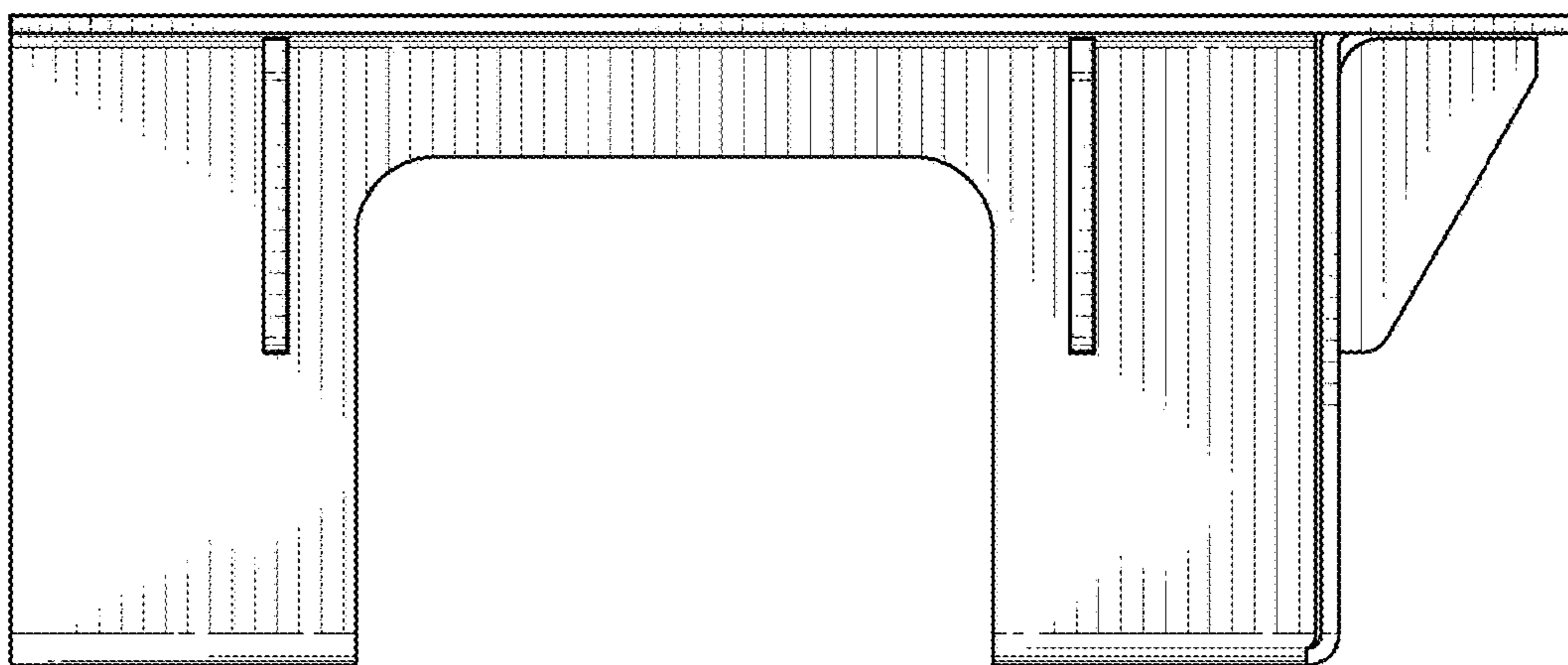


FIG. 5

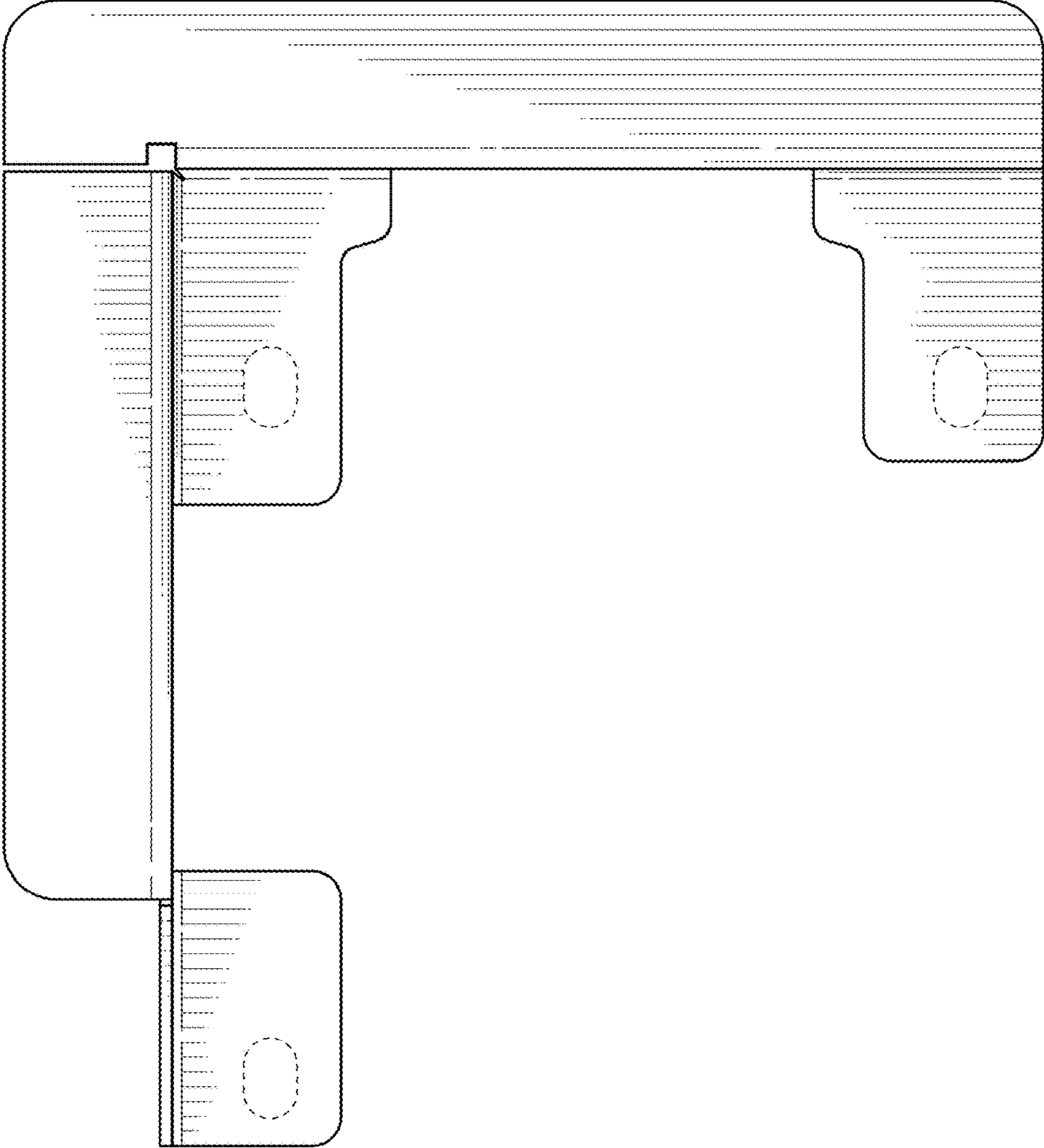


FIG. 6

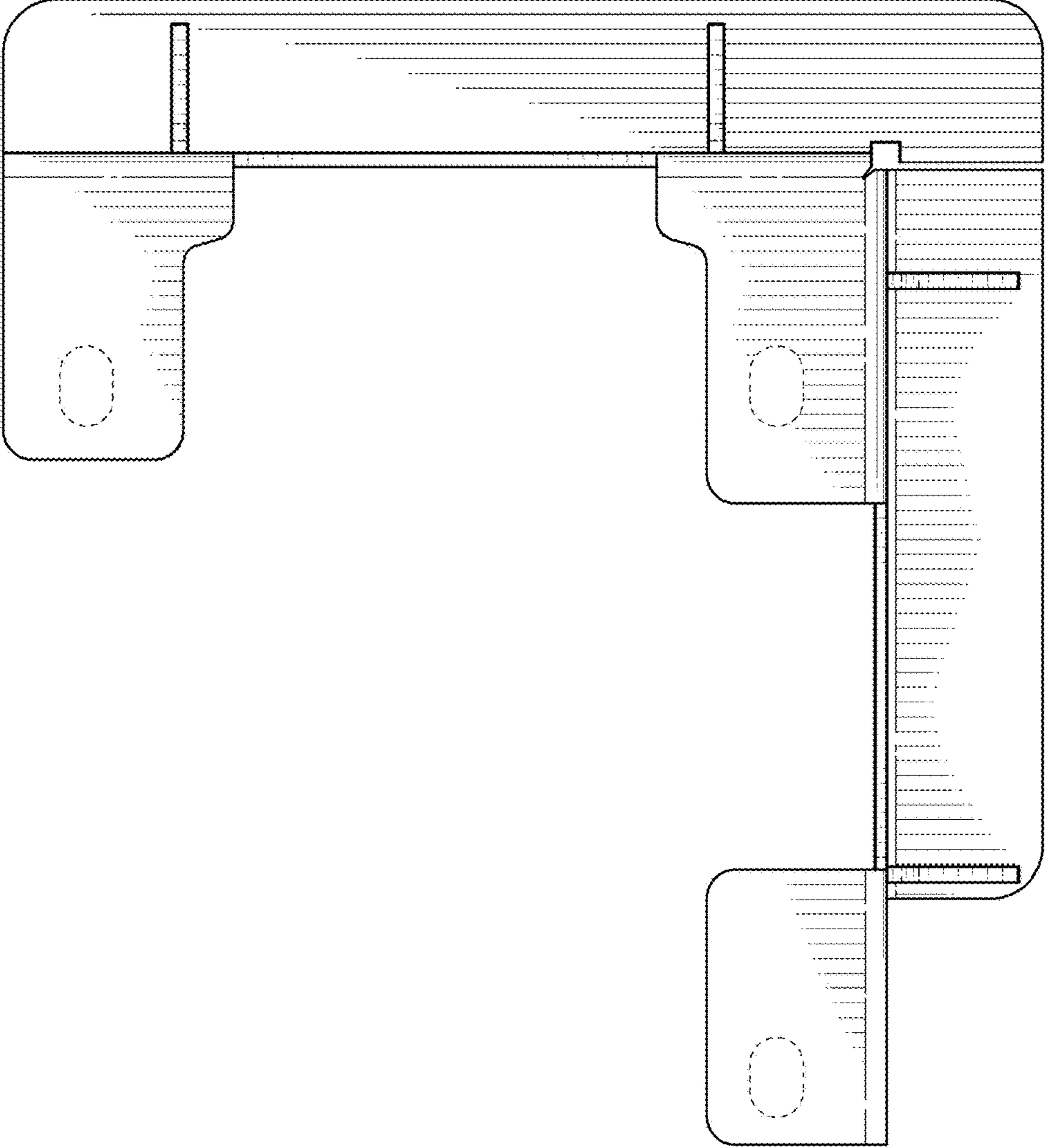


FIG. 7

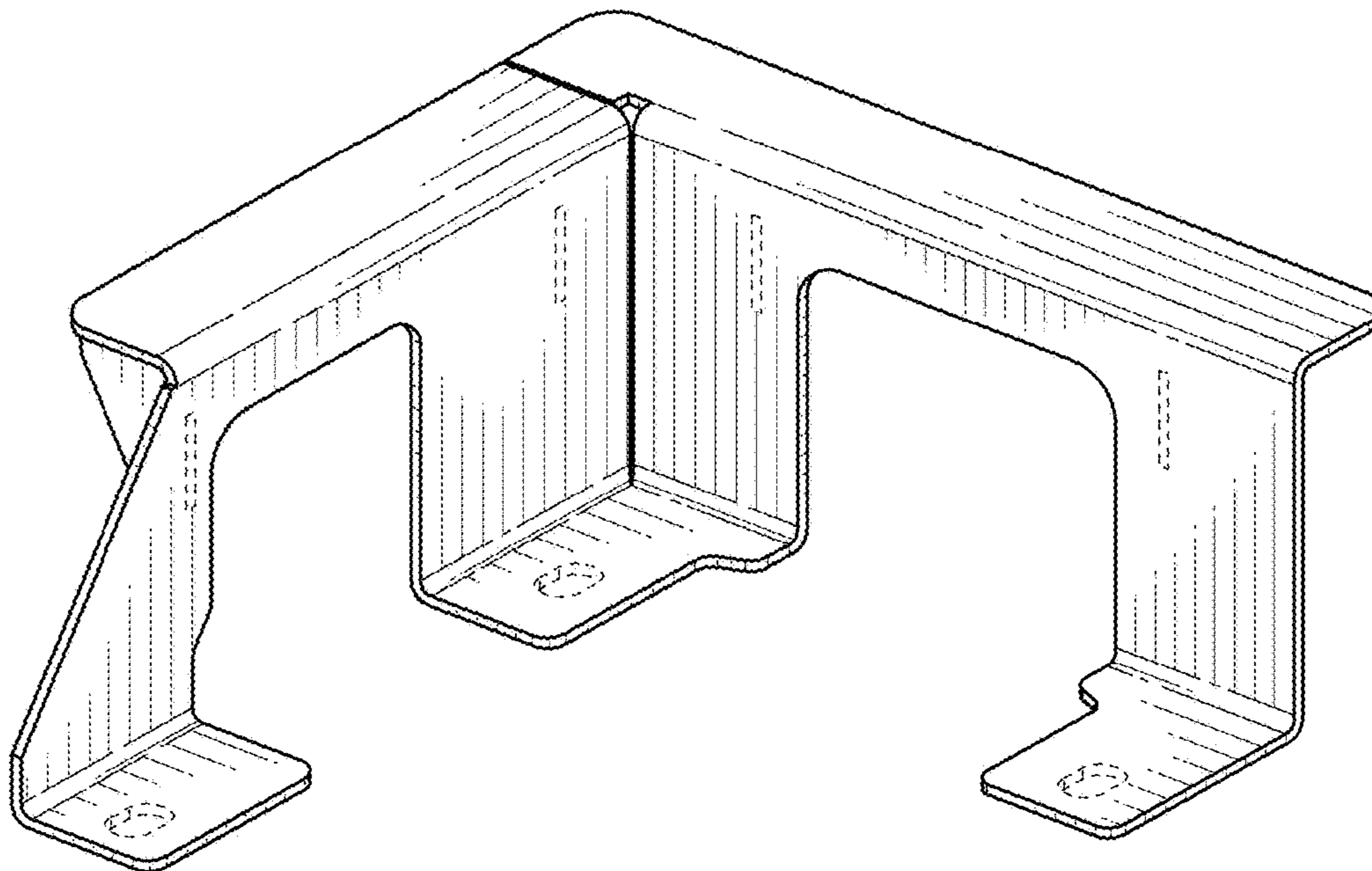


FIG. 8